



US00D877900S

(12) **United States Design Patent**
Marici et al.

(10) **Patent No.:** **US D877,900 S**
(45) **Date of Patent:** **** Mar. 10, 2020**

(54) **MEDICAL INFUSION ADAPTER**
(71) Applicant: **Becton Dickinson and Company Limited**, Dun Laoghaire (IE)

D722,156 S * 2/2015 Wiegel D24/112
D734,456 S * 7/2015 Cromett D24/129
9,089,474 B2 7/2015 Cederschiold
(Continued)

(72) Inventors: **Paul Paia Marici**, Piscataway, NJ (US);
Laurie Sanders, Glen Ridge, NJ (US);
Girum Yemane-Tekeste, Hackensack, NJ (US)

FOREIGN PATENT DOCUMENTS

WO 2013176586 A1 11/2013
WO 2015069643 A1 5/2015
WO 2015164365 A1 10/2015

(73) Assignee: **Becton Dickinson and Company Limited**, Dun Laoghaire (IE)

Primary Examiner — David G Muller
(74) *Attorney, Agent, or Firm* — The Webb Law Firm

(**) Term: **15 Years**

(57) **CLAIM**

The ornamental design for a medical infusion adapter, as shown.

(21) Appl. No.: **29/643,109**

DESCRIPTION

(22) Filed: **Apr. 4, 2018**

(51) **LOC (12) Cl.** **24-02**

(52) **U.S. Cl.**
USPC **D24/129**

(58) **Field of Classification Search**
USPC D24/127-131, 112-114, 133, 186;
606/181, 185; 604/264, 523-528, 272,
604/187, 158, 164.01-164.11, 181, 184,
604/227; 600/101, 139, 143;
128/200.24, 207.14, 207.15
CPC .. A61M 25/065; A61M 5/42; A61M 25/0612;
A61M 25/00; A61M 39/00; A61M 27/00;
A61M 25/0043; A61M 25/0067; A61F
2/958

See application file for complete search history.

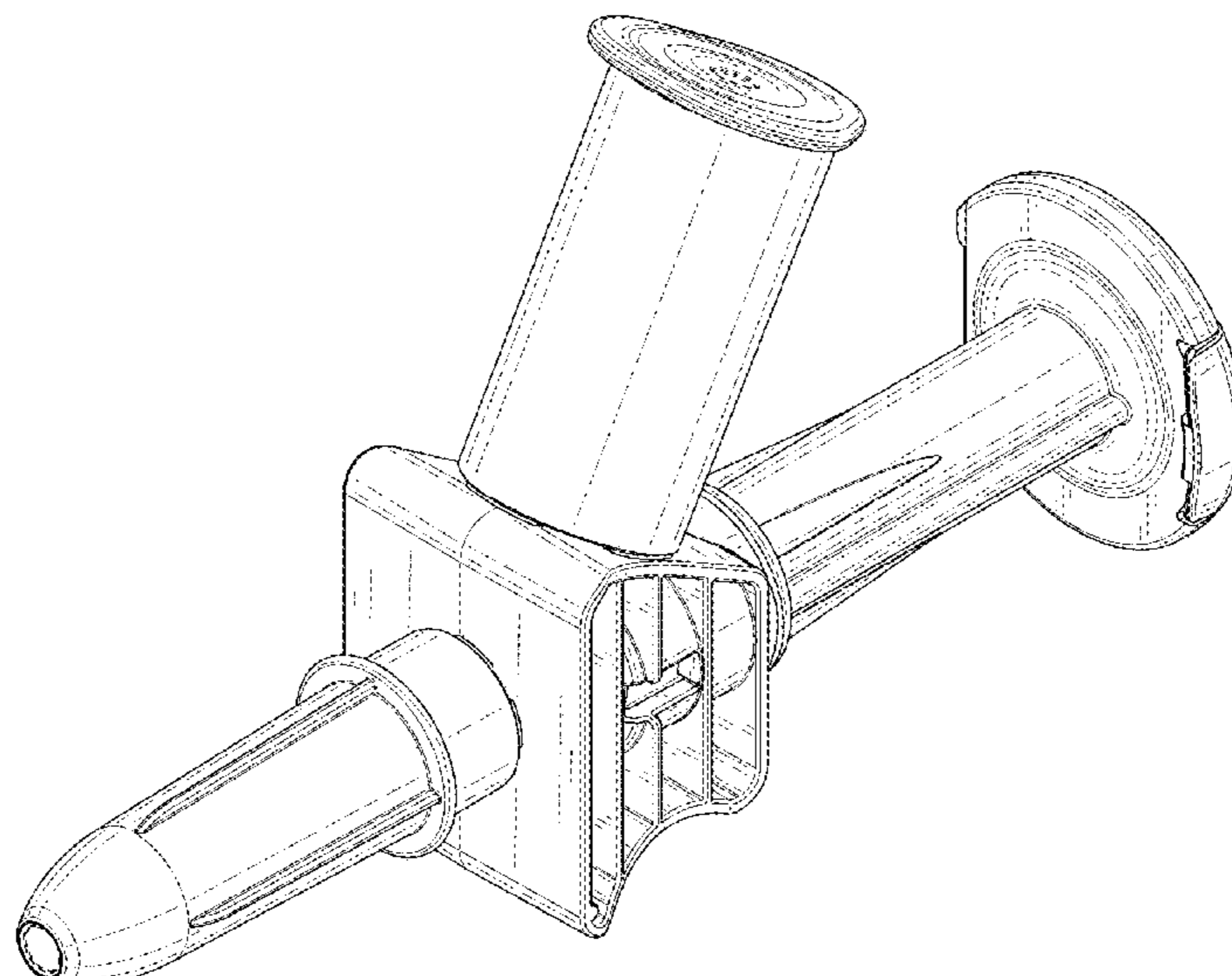
FIG. 1 is a perspective view of a medical infusion adapter showing our new design including covers over the fluid ports and spike of the adapter;
FIG. 2 is a front elevation view thereof;
FIG. 3 is a rear elevation view thereof;
FIG. 4 is a top plan view thereof;
FIG. 5 is a bottom plan view thereof;
FIG. 6 is a right side elevation view thereof;
FIG. 7 is a left side elevation view thereof;
FIG. 8 is a perspective view of the medical infusion adapter of FIG. 1 without the covers for ease of illustration and with portions of the fluid ports and the spike shown in dashed lines;
FIG. 9 is a front elevation view thereof;
FIG. 10 is a rear elevation view thereof;
FIG. 11 is a top plan view thereof;
FIG. 12 is a bottom plan view thereof;
FIG. 13 is a right side elevation view thereof; and,
FIG. 14 is a left side elevation view thereof.
Portions of the medical infusion adapter shown in dashed lines in FIGS. 1, 4, and 6-14 depict unclaimed portions of the medical infusion adapter that are included for environmental purposes only.

(56) **References Cited**

U.S. PATENT DOCUMENTS

D483,487 S * 12/2003 Harding D24/129
D577,117 S * 9/2008 Biener D24/110.1
D634,007 S * 3/2011 Zinger D24/129
D641,080 S * 7/2011 Zinger D24/129
D703,812 S * 4/2014 Cederschiold D24/129
D717,947 S 11/2014 Cederschiold

1 Claim, 14 Drawing Sheets



(56)

References Cited

U.S. PATENT DOCUMENTS

9,168,203	B2	10/2015	Rosenquist et al.	
D747,472	S *	1/2016	Bradley	D24/129
9,414,990	B2	8/2016	Ivosevic et al.	
9,414,991	B2	8/2016	Sanders et al.	
9,597,260	B2	3/2017	Ivosevic et al.	
9,636,278	B2	5/2017	Sanders et al.	
9,642,775	B2	5/2017	Sanders et al.	
D792,584	S *	7/2017	Ingram	D24/127
D794,184	S *	8/2017	Smith	D24/129
9,724,269	B2	8/2017	Sjogren et al.	
9,822,891	B2	11/2017	Cederschiold	
9,833,605	B2	12/2017	Sanders et al.	
D809,126	S *	1/2018	White	D24/110
9,855,192	B2	1/2018	Kim et al.	
D812,743	S *	3/2018	Guala	D24/129
9,919,826	B2	3/2018	Ivosevic et al.	
9,956,138	B2	5/2018	Ohlin	
9,968,771	B2	5/2018	Wong	
9,980,878	B2	5/2018	Marici et al.	
D834,712	S *	11/2018	Gulliver	D24/129
2014/0276649	A1	9/2014	Ivosevic et al.	
2015/0297451	A1	10/2015	Marici et al.	
2015/0297459	A1	10/2015	Sanders	
2016/0287475	A1	10/2016	Yevmenenko et al.	
2016/0361504	A1	12/2016	Kim et al.	
2017/0087297	A1	3/2017	Hanner et al.	
2018/0200145	A1	7/2018	Sanders et al.	
2018/0200146	A1	7/2018	Sanders et al.	
2018/0200147	A1	7/2018	Sanders	
2018/0200148	A1	7/2018	Sanders	
2018/0200498	A1	7/2018	Sanders	

* cited by examiner

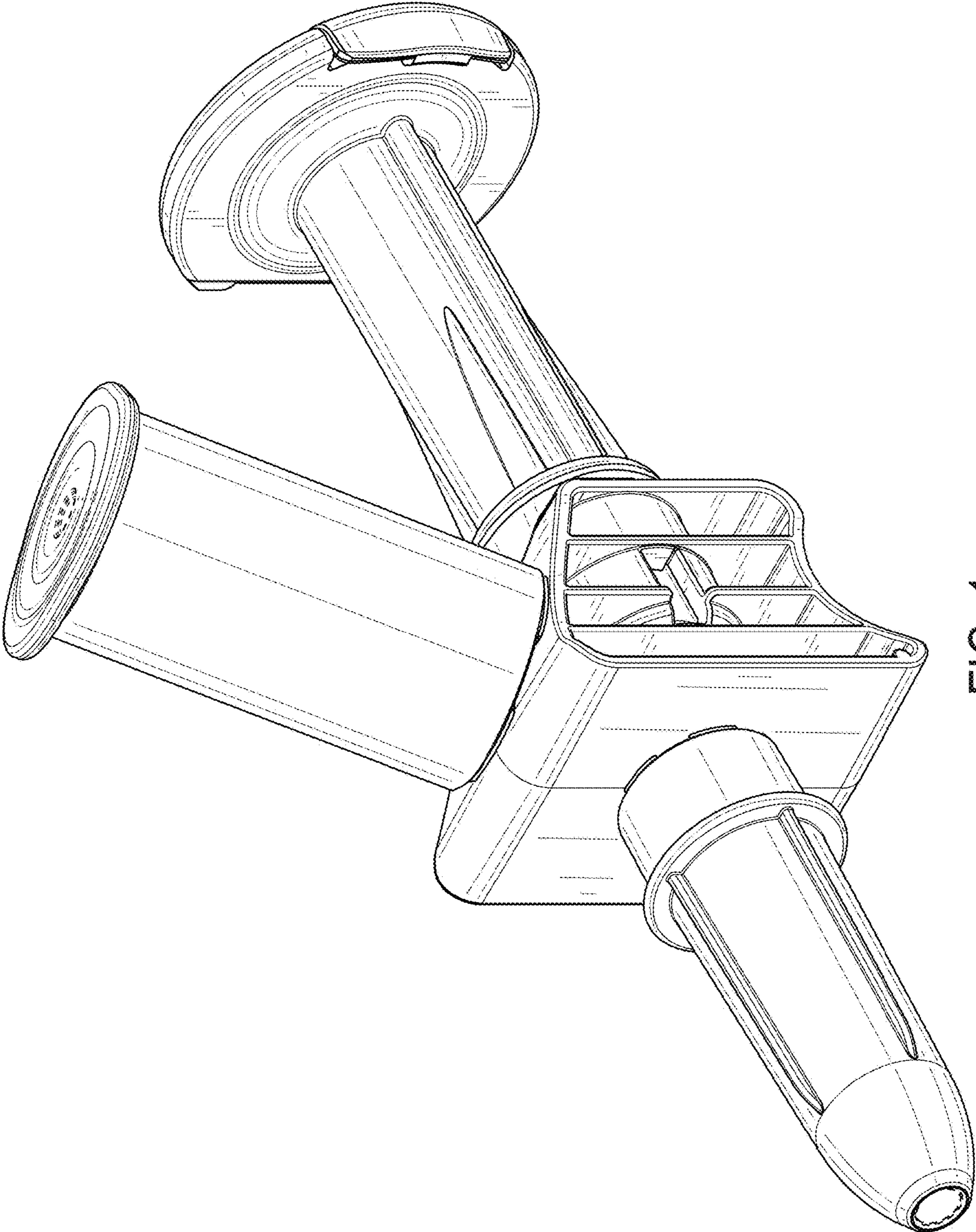


FIG. 1

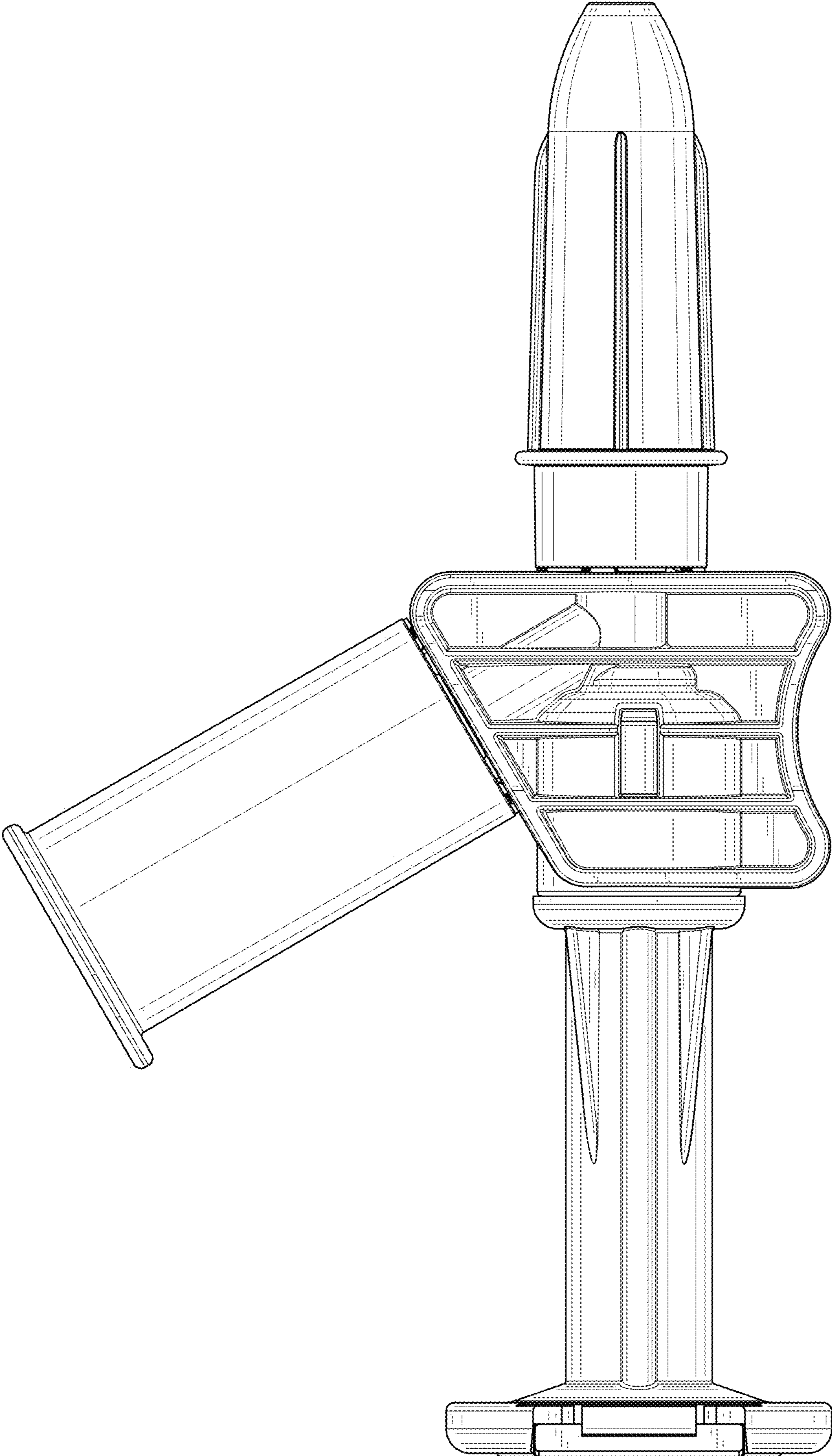


FIG. 2

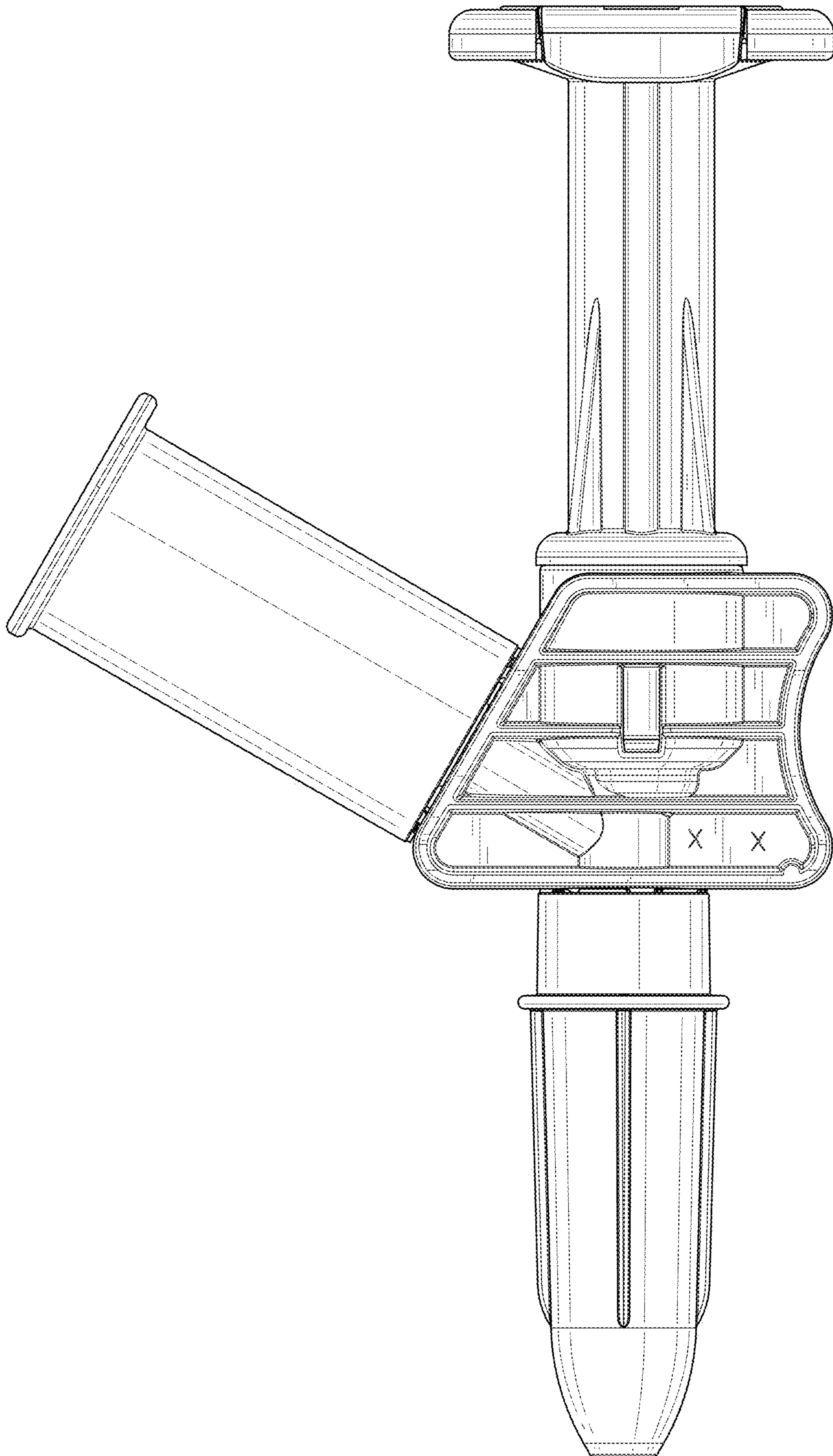


FIG. 3

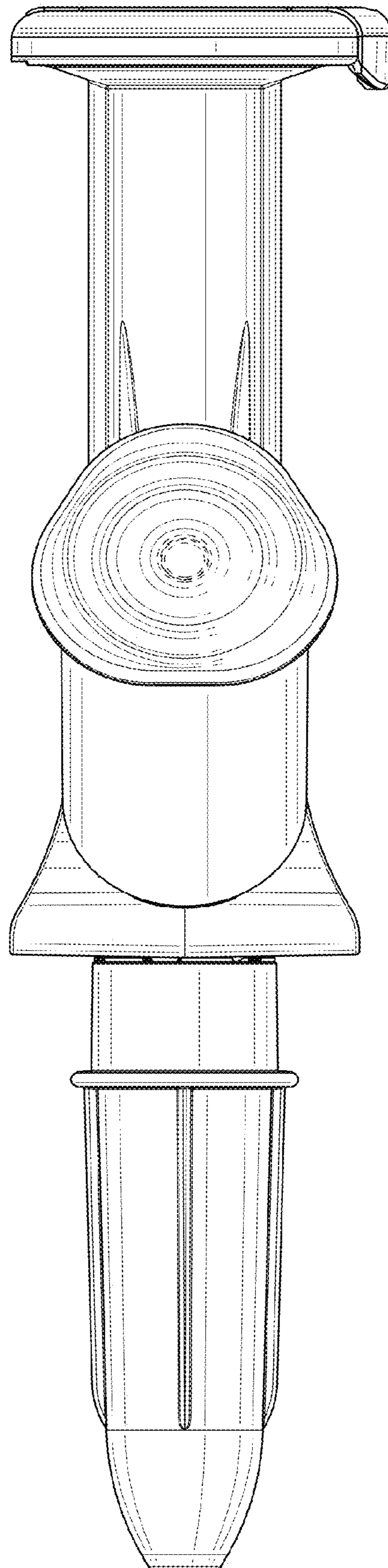


FIG. 4

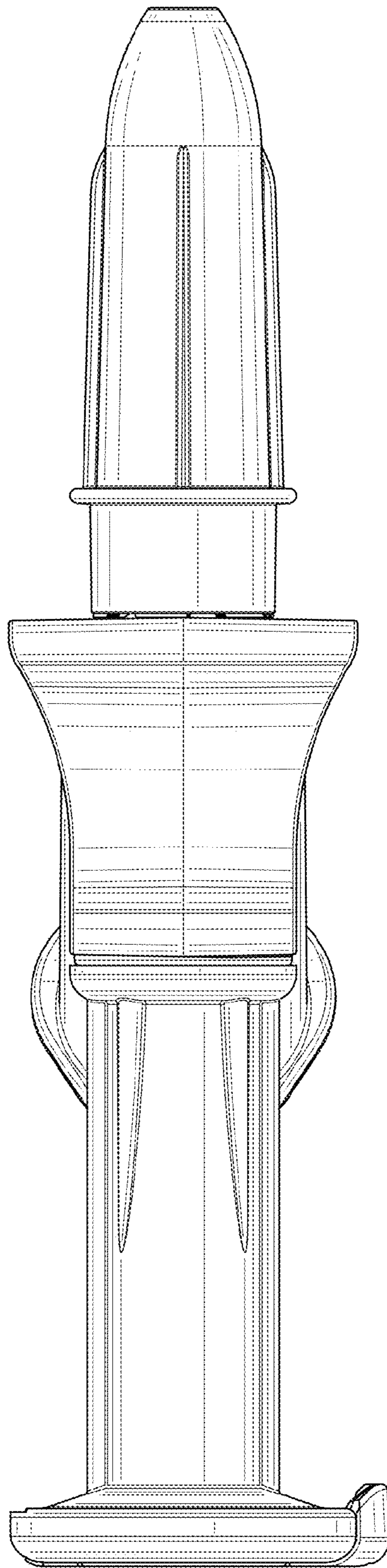


FIG. 5

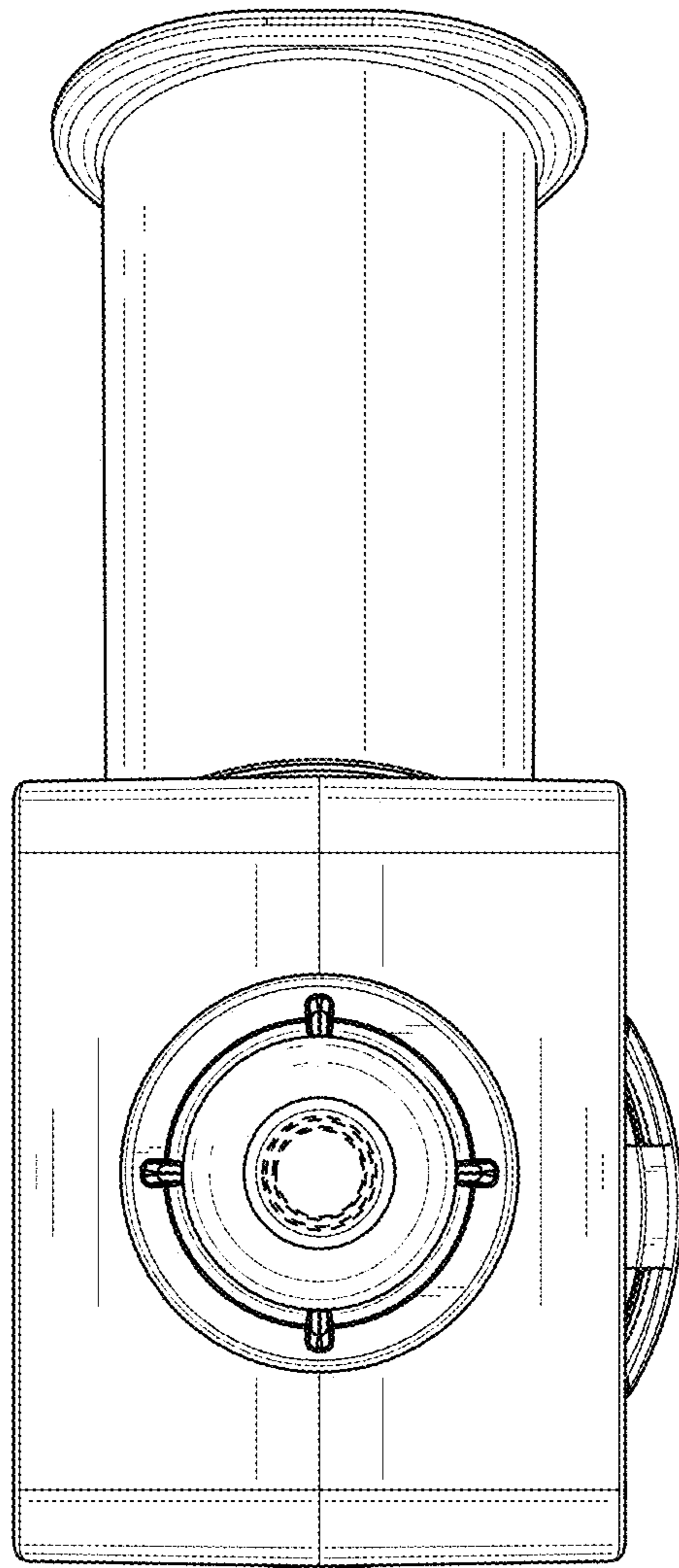


FIG. 6

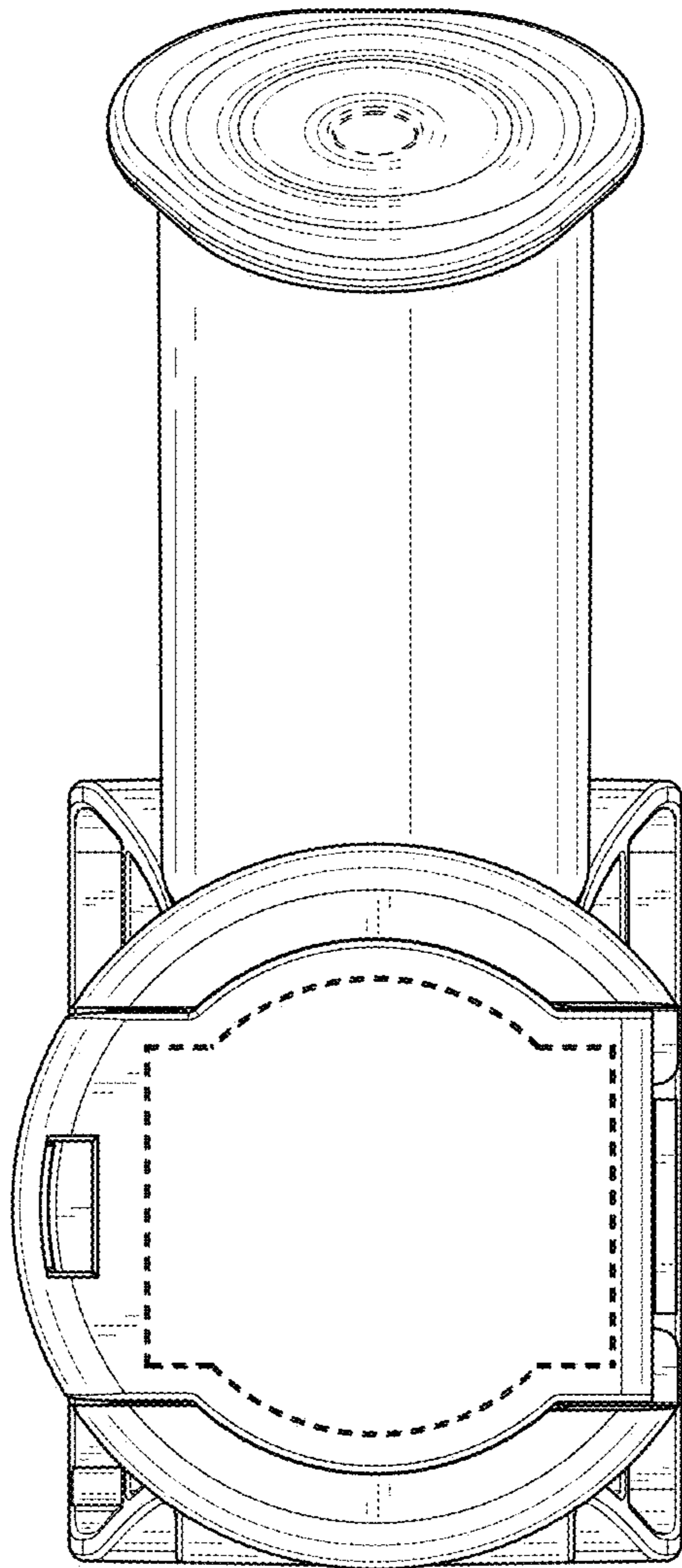


FIG. 7

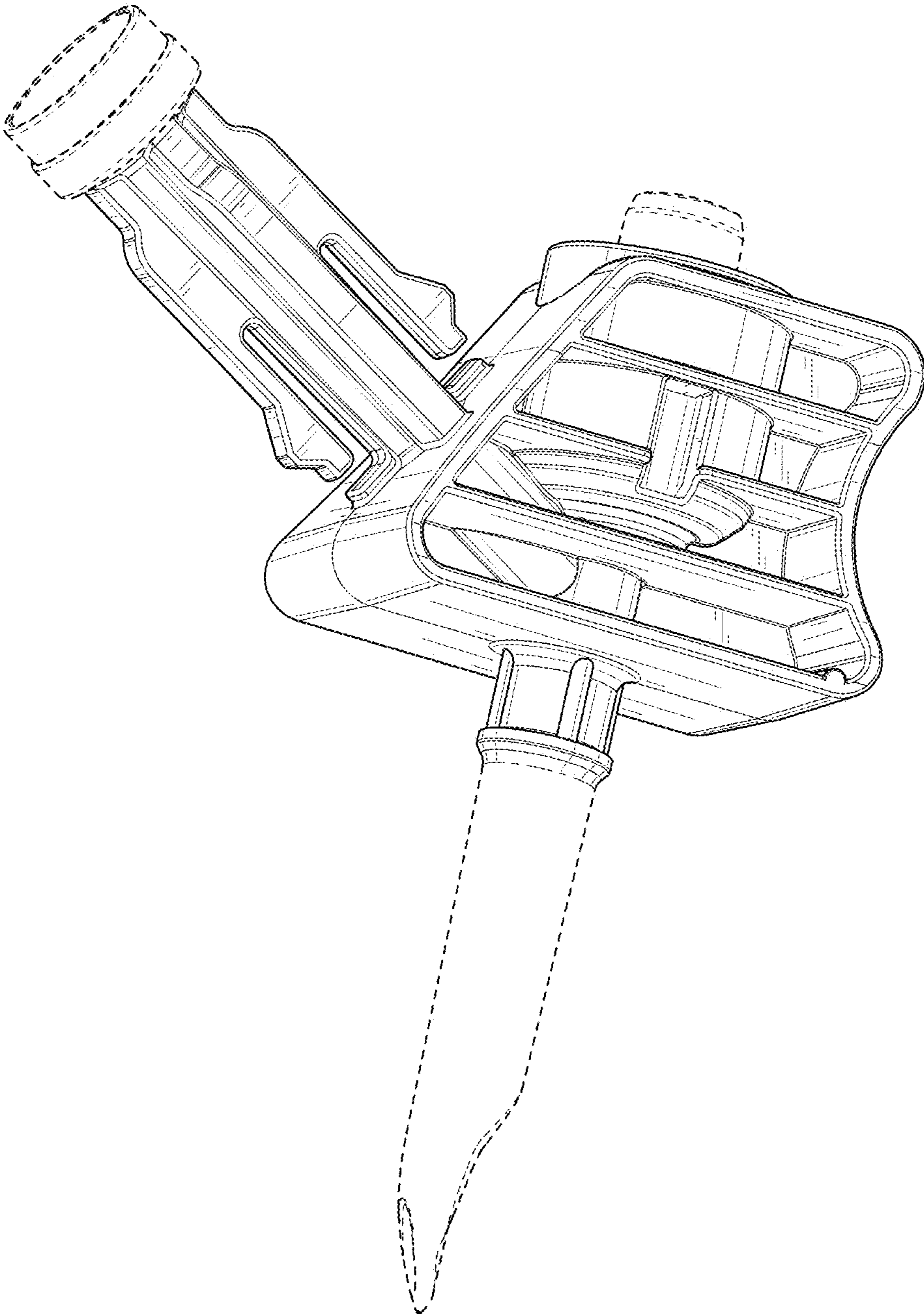
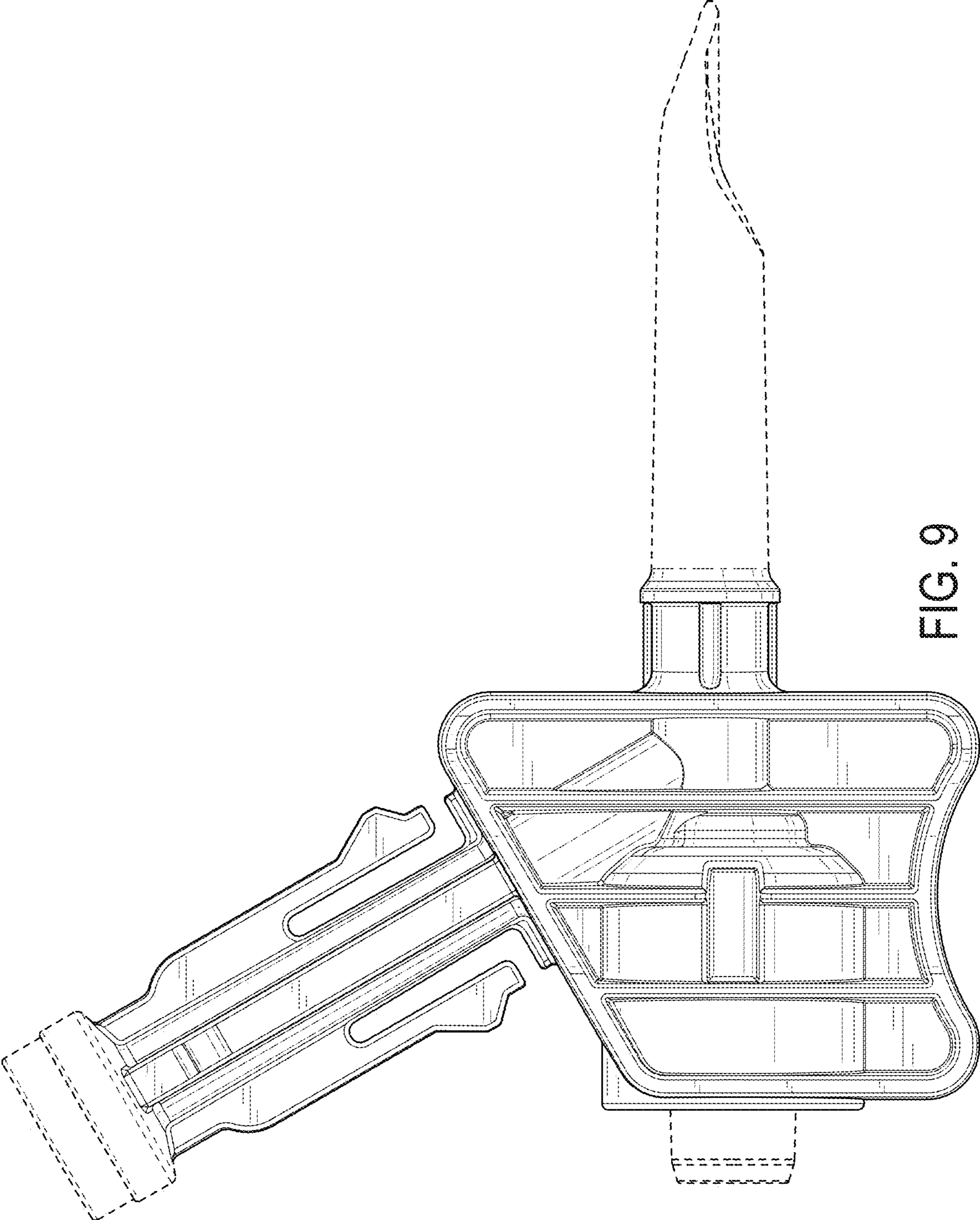


FIG. 8



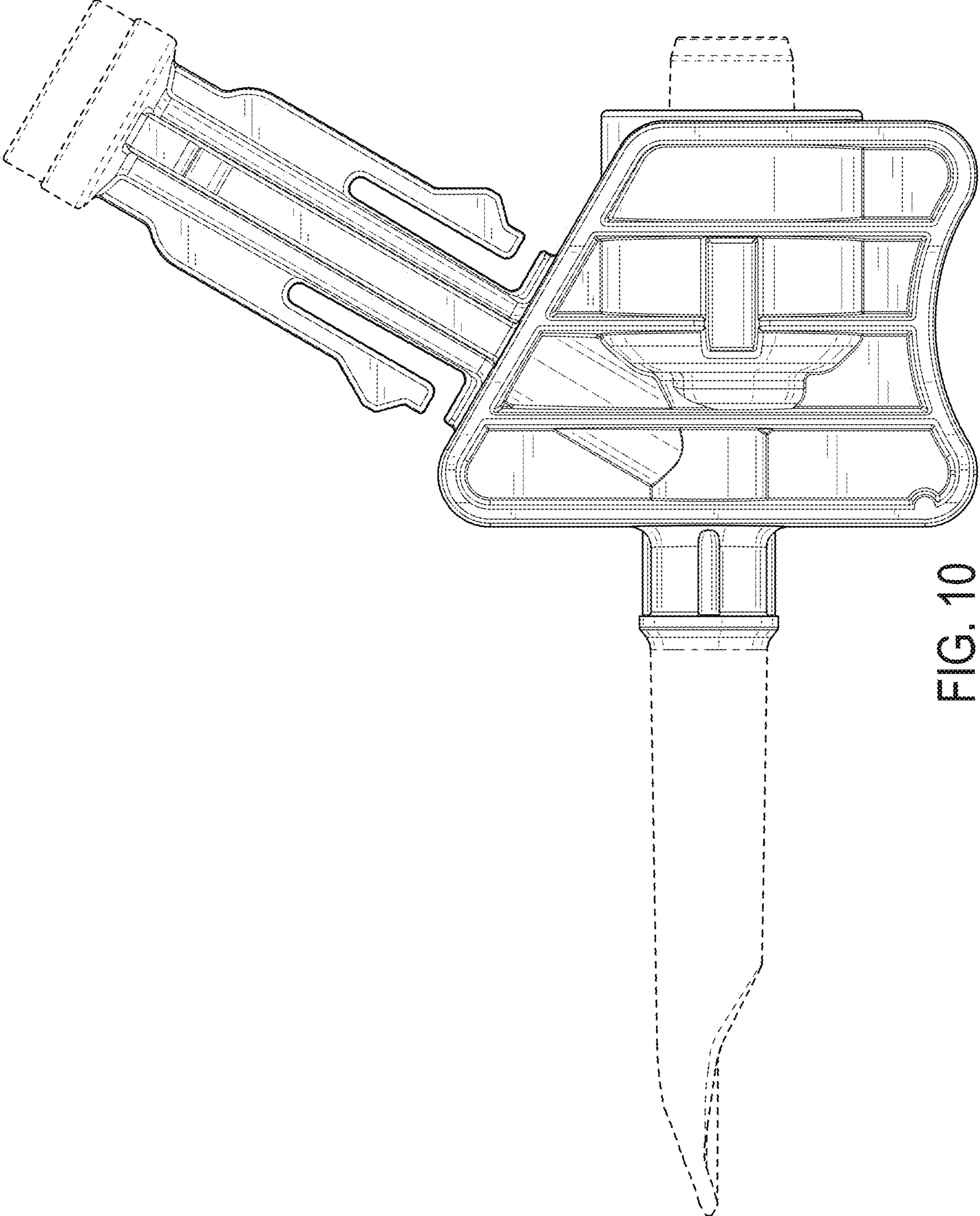


FIG. 10

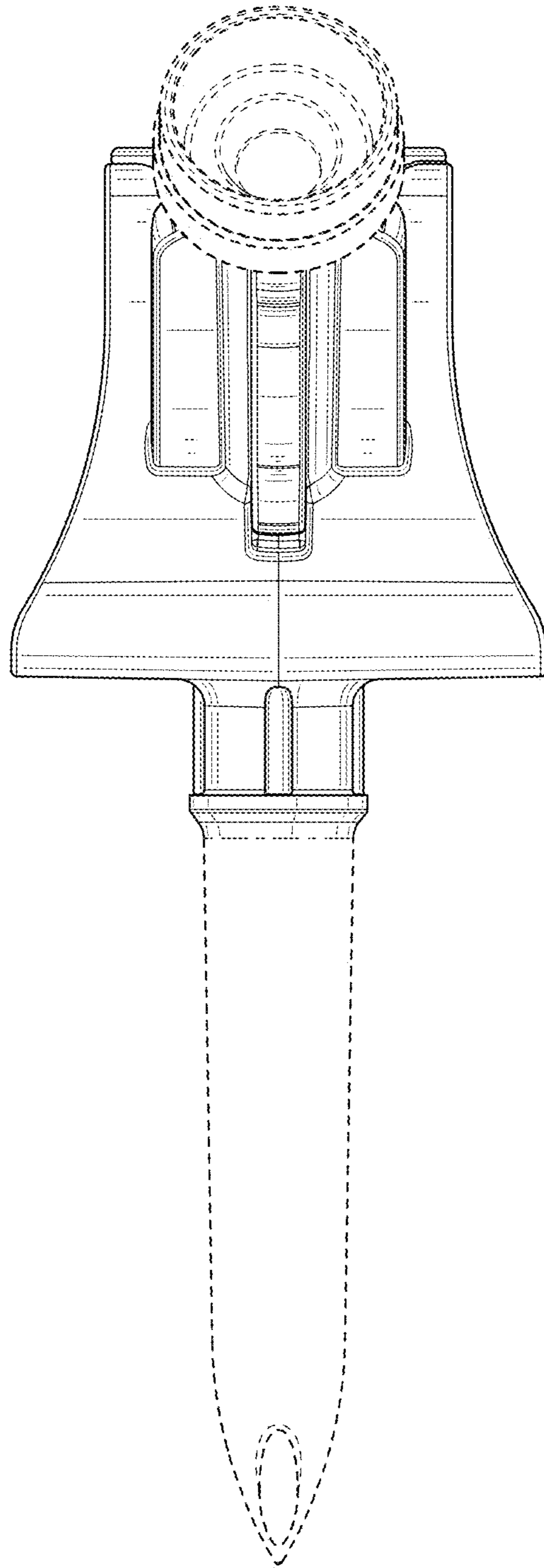


FIG. 11

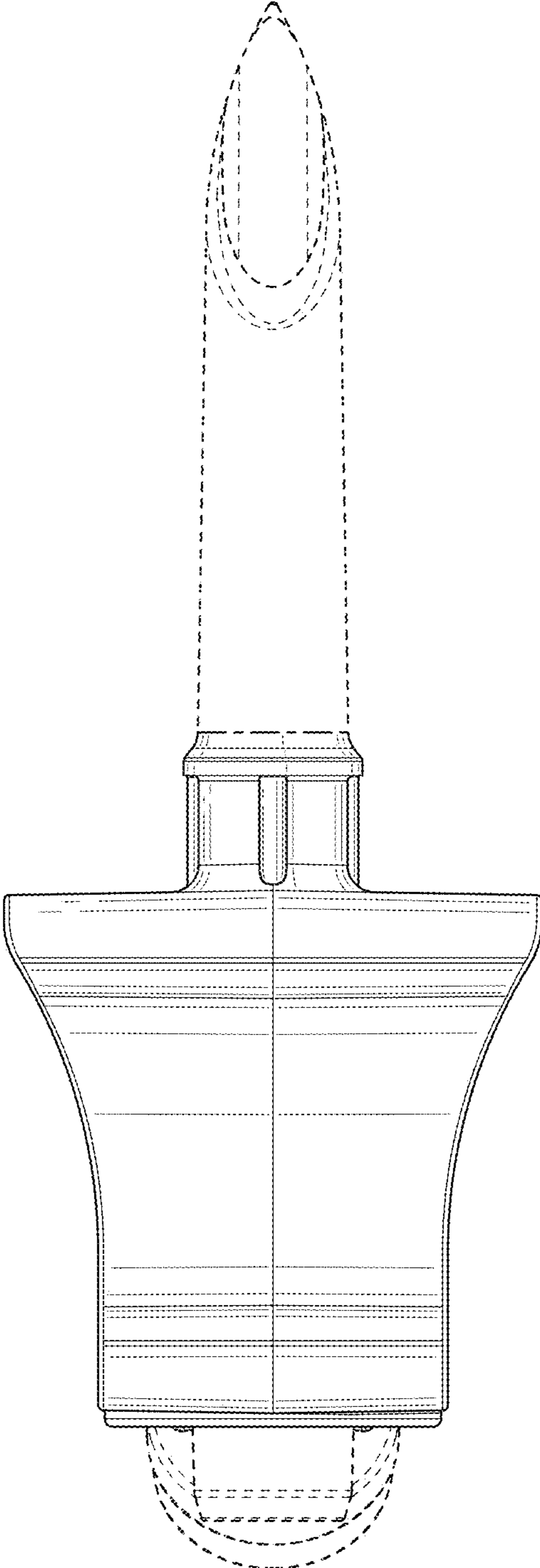


FIG. 12

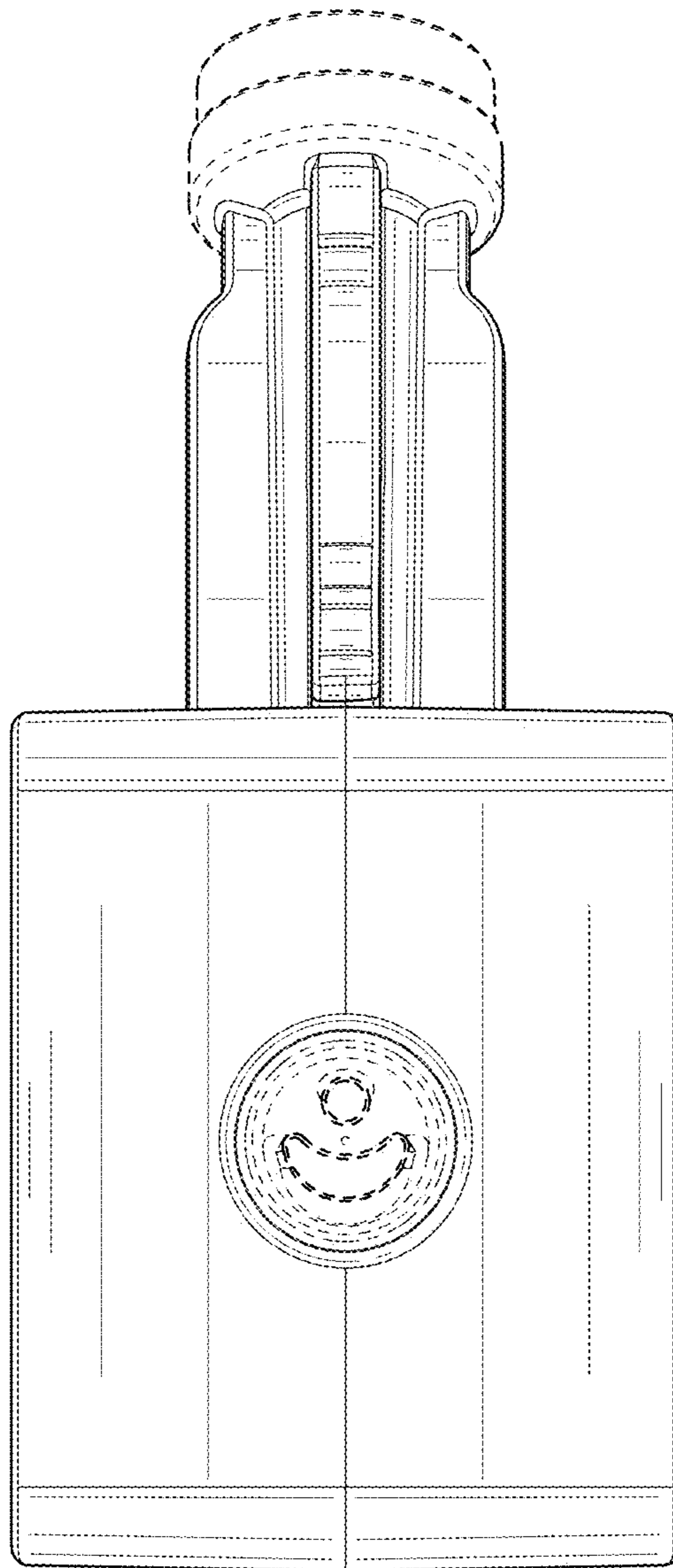


FIG. 13

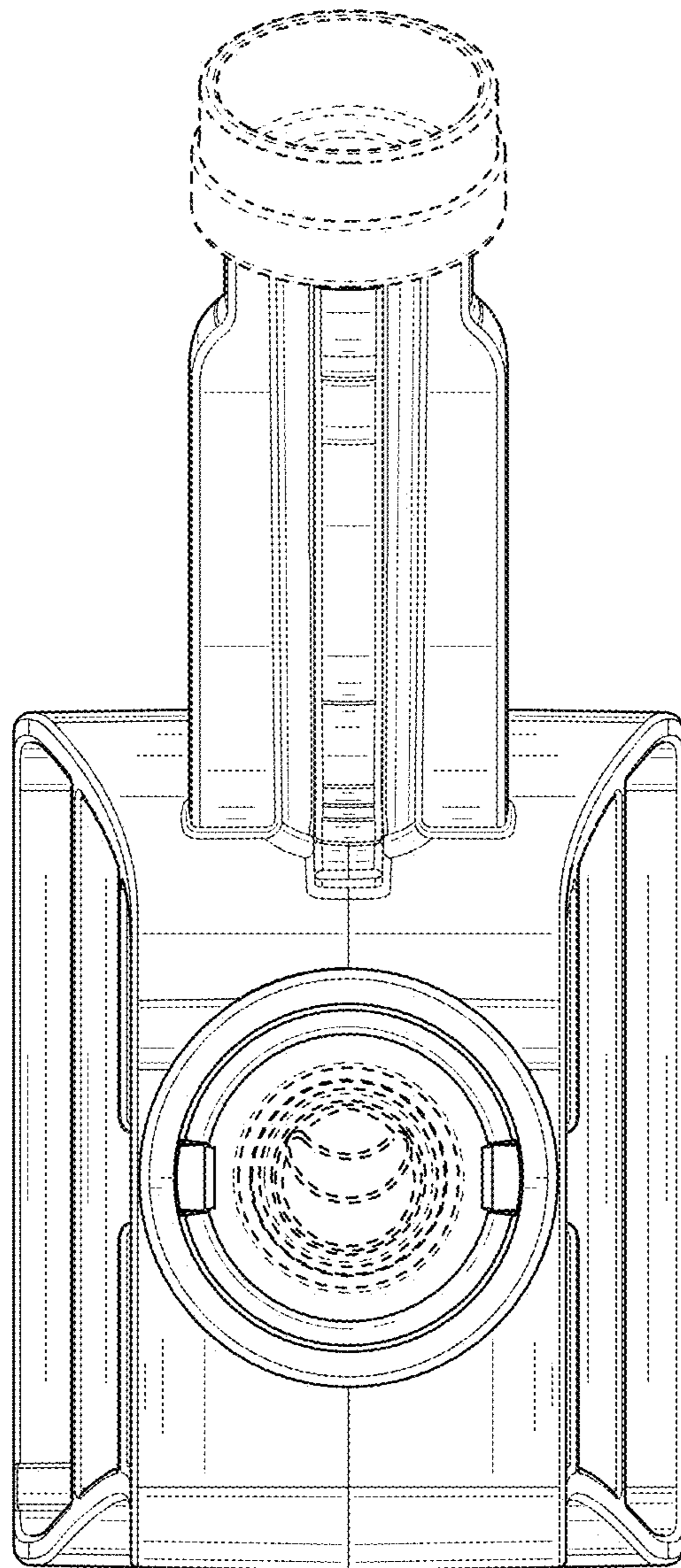


FIG. 14