



US00D877899S

(12) **United States Design Patent**
Shepherd

(10) **Patent No.:** **US D877,899 S**

(45) **Date of Patent:** **** *Mar. 10, 2020**

- (54) **INSULIN PEN HOLDER**
- (71) Applicant: **Gary D. Shepherd**, Wichita, KS (US)
- (72) Inventor: **Gary D. Shepherd**, Wichita, KS (US)
- (*) Notice: This patent is subject to a terminal disclaimer.
- (**) Term: **15 Years**
- (21) Appl. No.: **29/643,980**
- (22) Filed: **Apr. 13, 2018**
- Related U.S. Application Data**
- (63) Continuation-in-part of application No. 14/571,666, filed on Dec. 16, 2014, now abandoned, which is a continuation-in-part of application No. 13/588,362, filed on Aug. 17, 2012, now abandoned.
- (51) **LOC (12) Cl.** **24-02**
- (52) **U.S. Cl.**
USPC **D24/128**
- (58) **Field of Classification Search**
USPC D24/127-131, 112-114, 133, 186;
D19/85; 211/69.5; 606/181, 185;
604/264, 523-528, 272, 187, 158,
604/164.01-164.11, 181, 184, 227;
600/101, 139, 143; 128/200.24, 207.14,
128/207.15
CPC ... B43M 99/006; B43K 23/002; A61M 25/00;
A61M 39/00; A61M 27/00
See application file for complete search history.

- 5,033,629 A * 7/1991 Caine A47F 7/00
211/69.5
- 5,076,444 A * 12/1991 Syms A47F 3/10
211/163
- 5,544,764 A * 8/1996 Cima B43M 99/008
211/60.1
- D408,058 S * 4/1999 Isaacs D19/75
- D415,530 S * 10/1999 Ridder D19/77
- D417,240 S * 11/1999 Jablonski D19/82
- 6,186,461 B1 * 2/2001 Pelaez B43K 23/002
206/214
- 6,202,862 B1 * 3/2001 Acquaviva B43K 21/003
211/60.1
- 6,269,960 B1 * 8/2001 Harp A47F 7/0028
211/69.5
- 7,314,142 B2 * 1/2008 Lyman, Jr. B43K 23/002
206/214
- D618,280 S * 6/2010 Siegel D19/85

* cited by examiner

Primary Examiner — David G Muller

(74) *Attorney, Agent, or Firm* — Kenneth H. Jack; Davis & Jack L.L.C.

(57) **CLAIM**

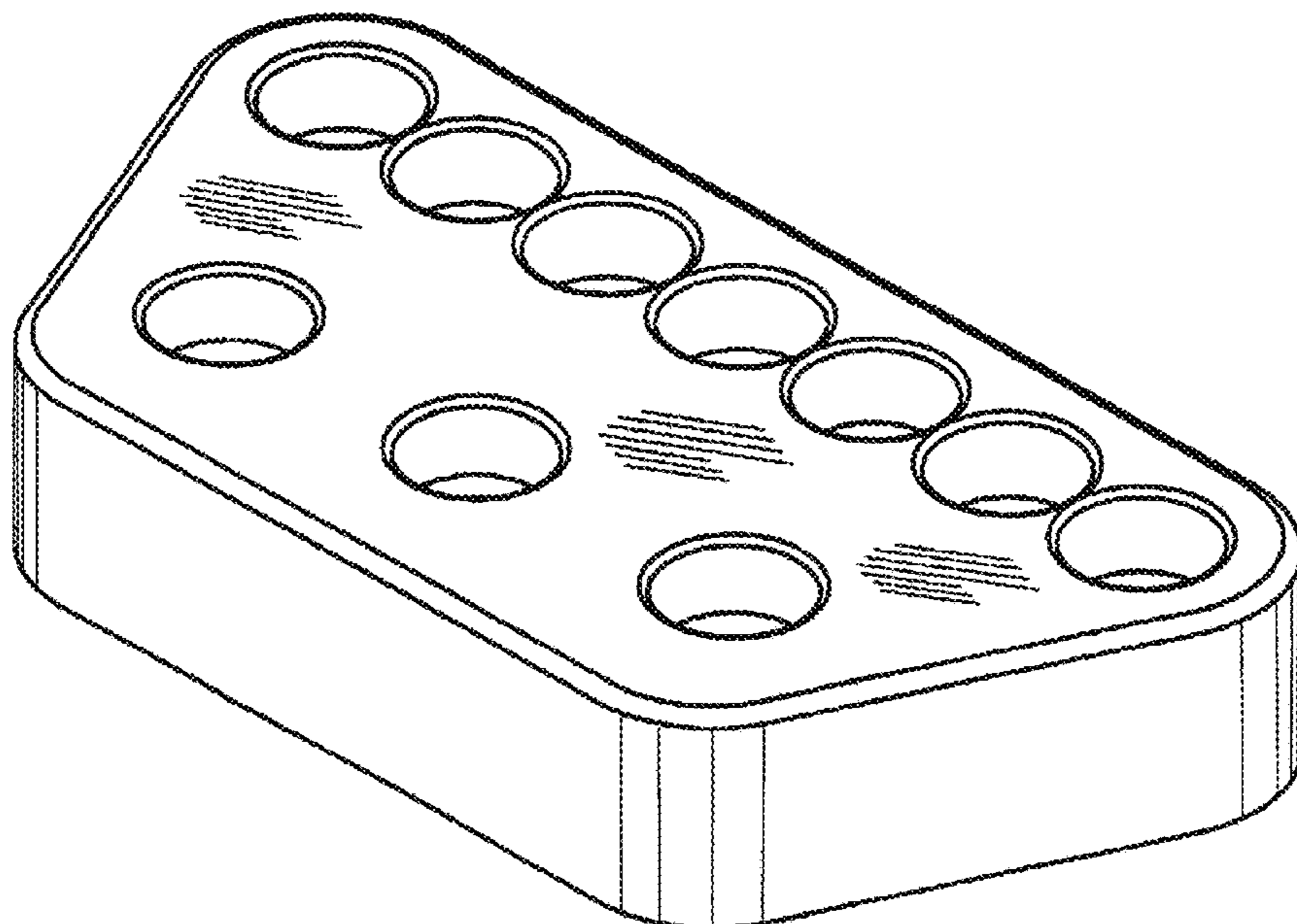
The ornamental design for an insulin pen holder, as shown.

DESCRIPTION

FIG. 1 is an upper perspective view of the article in which the design is embodied.
 FIG. 2 is a front view of the article of FIG. 1.
 FIG. 3 is a back view of the article of FIG. 1.
 FIG. 4 is a side view of the article of FIG. 1; and,
 FIG. 5 is a lower perspective view of the article of FIG. 1.
 Characteristic features of the article's design are trapezoidal configurations and positionings of peripheral walls, upper surface, and pen socket structures.

1 Claim, 5 Drawing Sheets

- (56) **References Cited**
U.S. PATENT DOCUMENTS
D258,030 S * 1/1981 Davis D19/85
4,334,622 A * 6/1982 Mutschler B43M 99/007
211/69.5



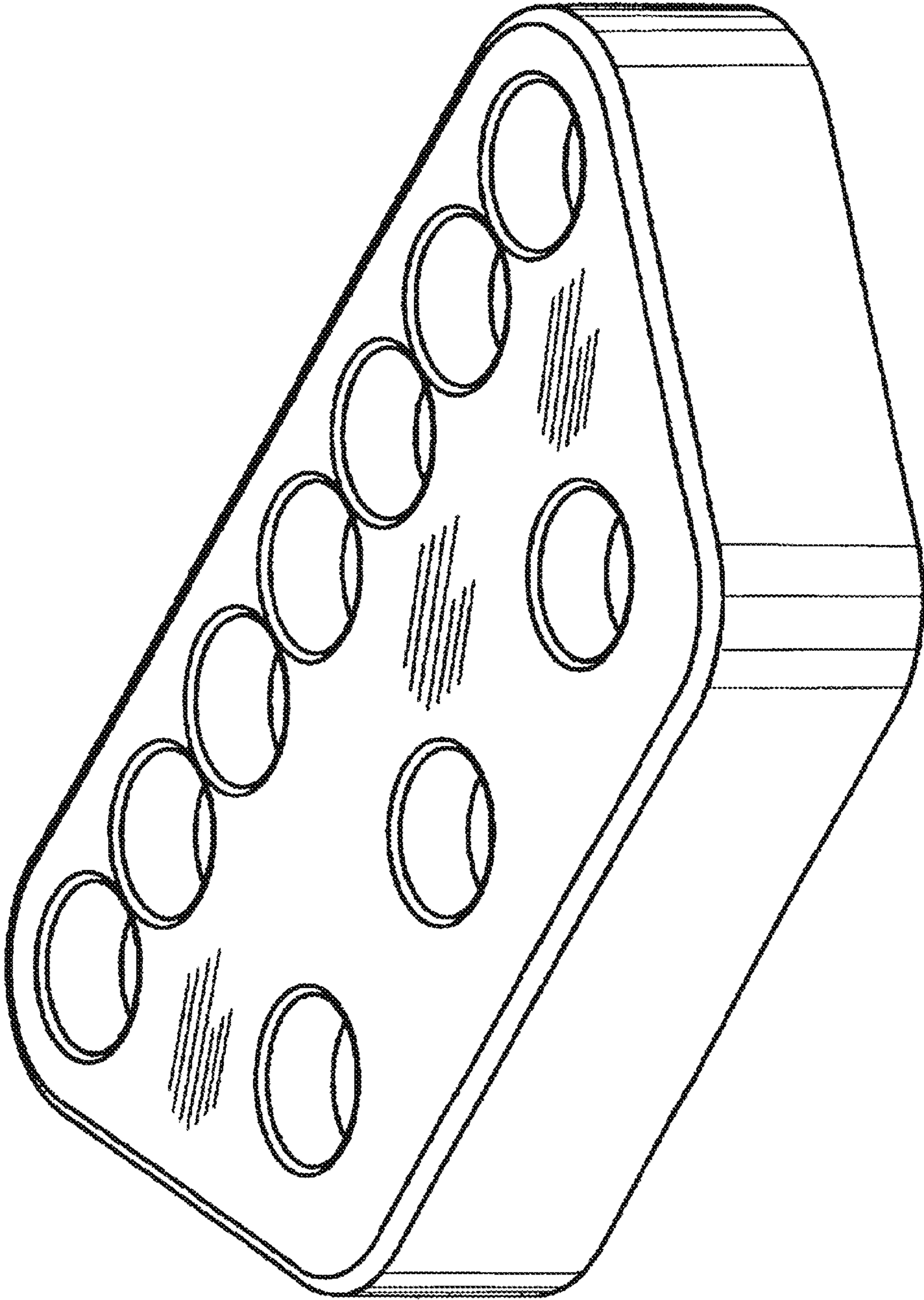


Fig. 1

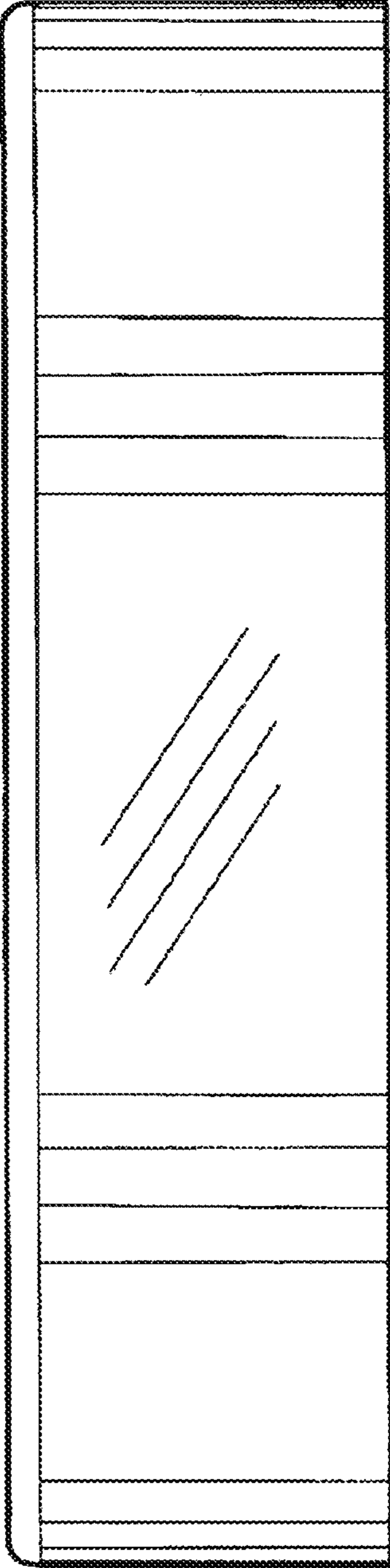


Fig. 2

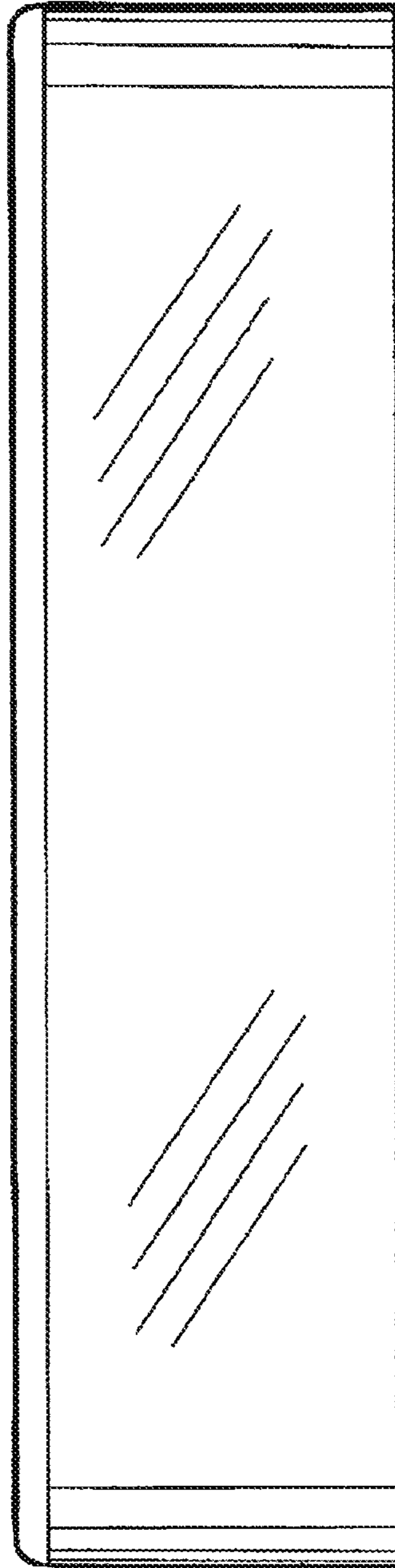
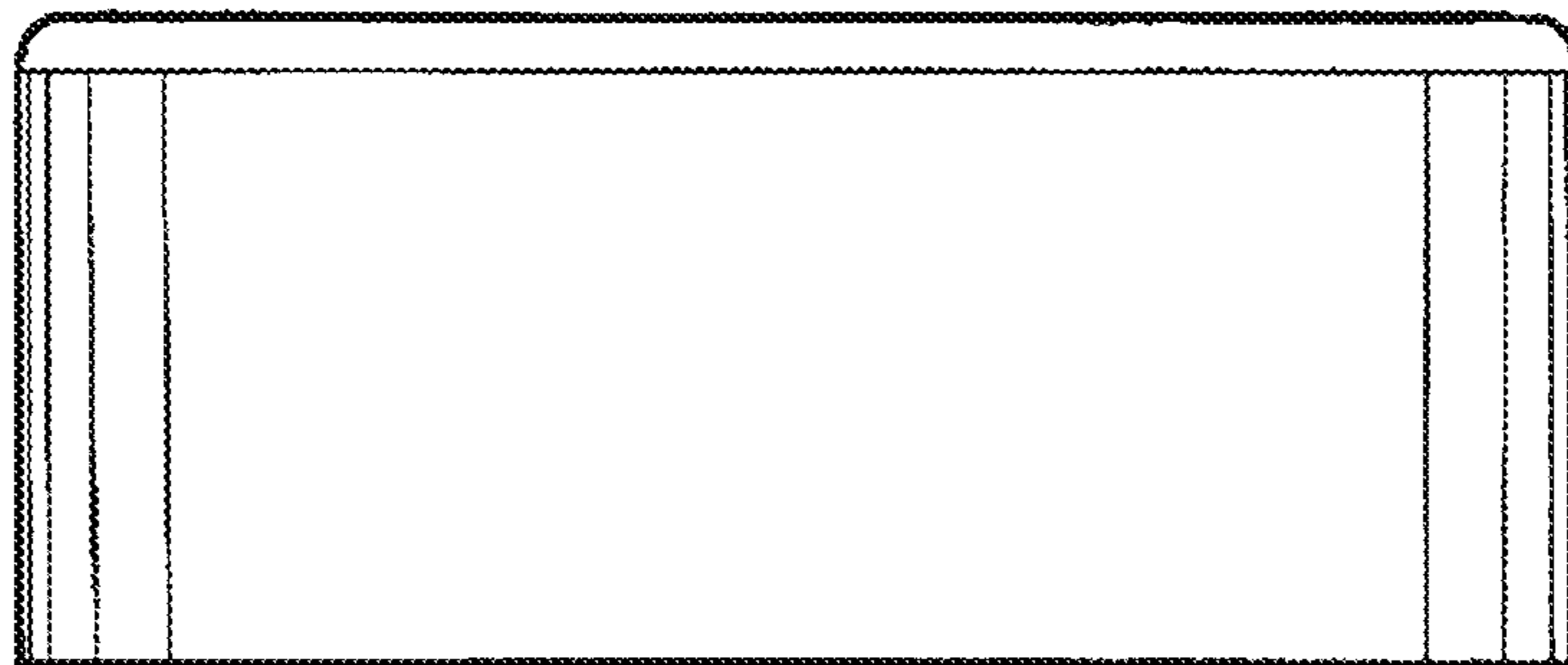


FIG. 3

Fig. 4



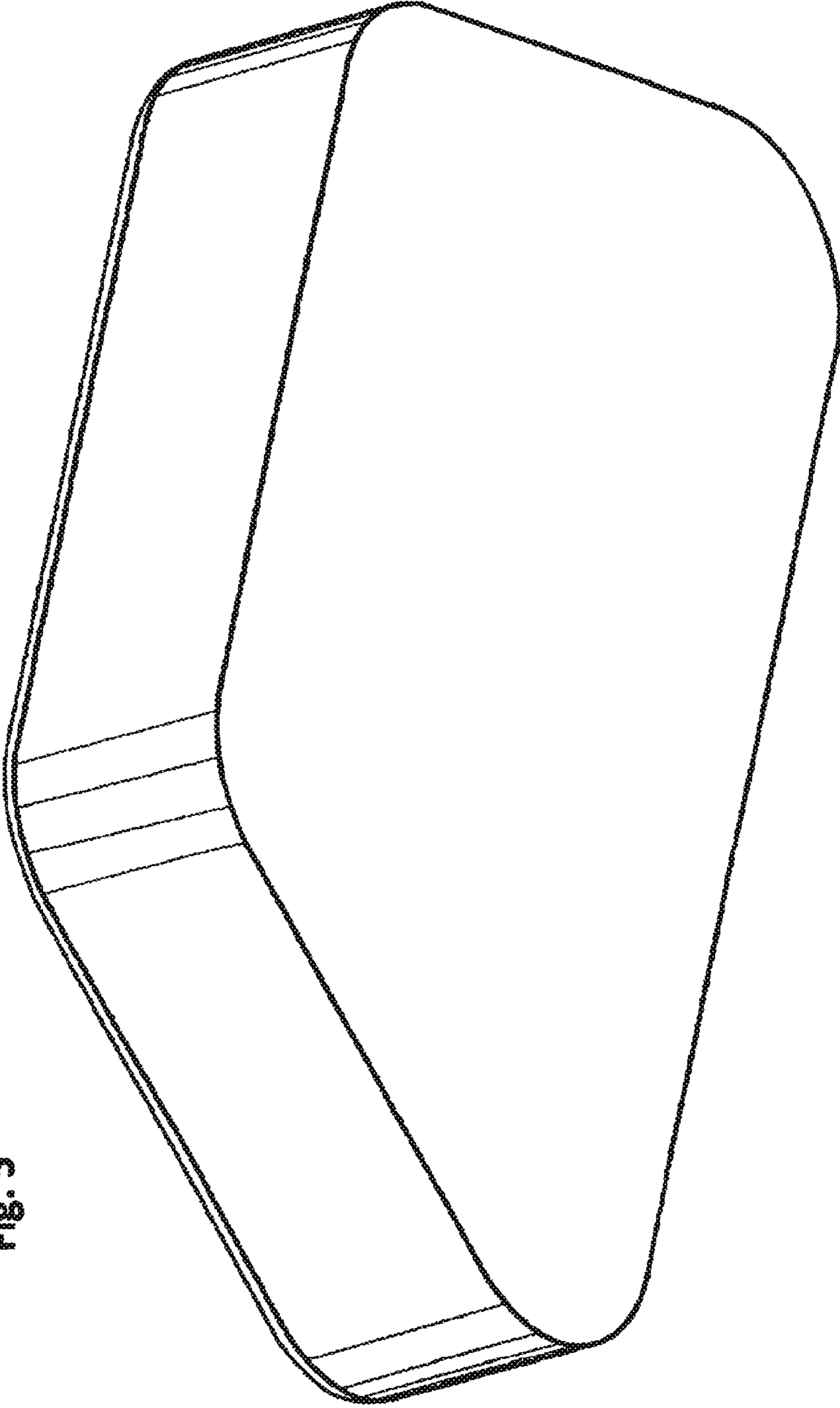


Fig. 5