



US00D877898S

(12) **United States Design Patent** (10) **Patent No.:** **US D877,898 S**
Tiedeken et al. (45) **Date of Patent:** **** Mar. 10, 2020**

(54) **TATTOO TRANSITIONAL GRIP**
(71) Applicant: **ImportLA, LLC**, Baldwin Park, CA (US)
(72) Inventors: **Jason Tiedeken**, Concord, CA (US); **Billy Chen**, Baldwin Park, CA (US)
(73) Assignee: **ImportLA, LLC**, Baldwin Park, CA (US)
(**) Term: **15 Years**
(21) Appl. No.: **29/669,395**
(22) Filed: **Nov. 7, 2018**
(51) **LOC (12) Cl.** **24-02**
(52) **U.S. Cl.**
USPC **D24/127; D24/146**
(58) **Field of Classification Search**
USPC D24/127, 133, 140, 144, 146-147; D19/174, 199
CPC A61M 37/00; A61M 37/0076; A61M 37/0084
See application file for complete search history.

(56) **References Cited**

U.S. PATENT DOCUMENTS

D323,392 S * 1/1992 Byrne D24/130
6,048,335 A * 4/2000 Mayer A61M 39/04
604/167.02
D481,801 S * 11/2003 Whitley D24/224
D525,115 S * 7/2006 Harwanko D8/376
D547,165 S * 7/2007 Barrese D6/550
D612,939 S * 3/2010 Boone, III D24/133
8,470,268 B2 * 6/2013 Wong A61B 10/0051
206/569
D686,339 S * 7/2013 Shima D24/224
D717,948 S * 11/2014 Strong D24/130
D728,816 S * 5/2015 Wainwright D24/216

(Continued)

Primary Examiner — Nathan M Johnston

(74) *Attorney, Agent, or Firm* — Hankin Patent Law, APC; Marc E. Hankin; Kevin Schraven

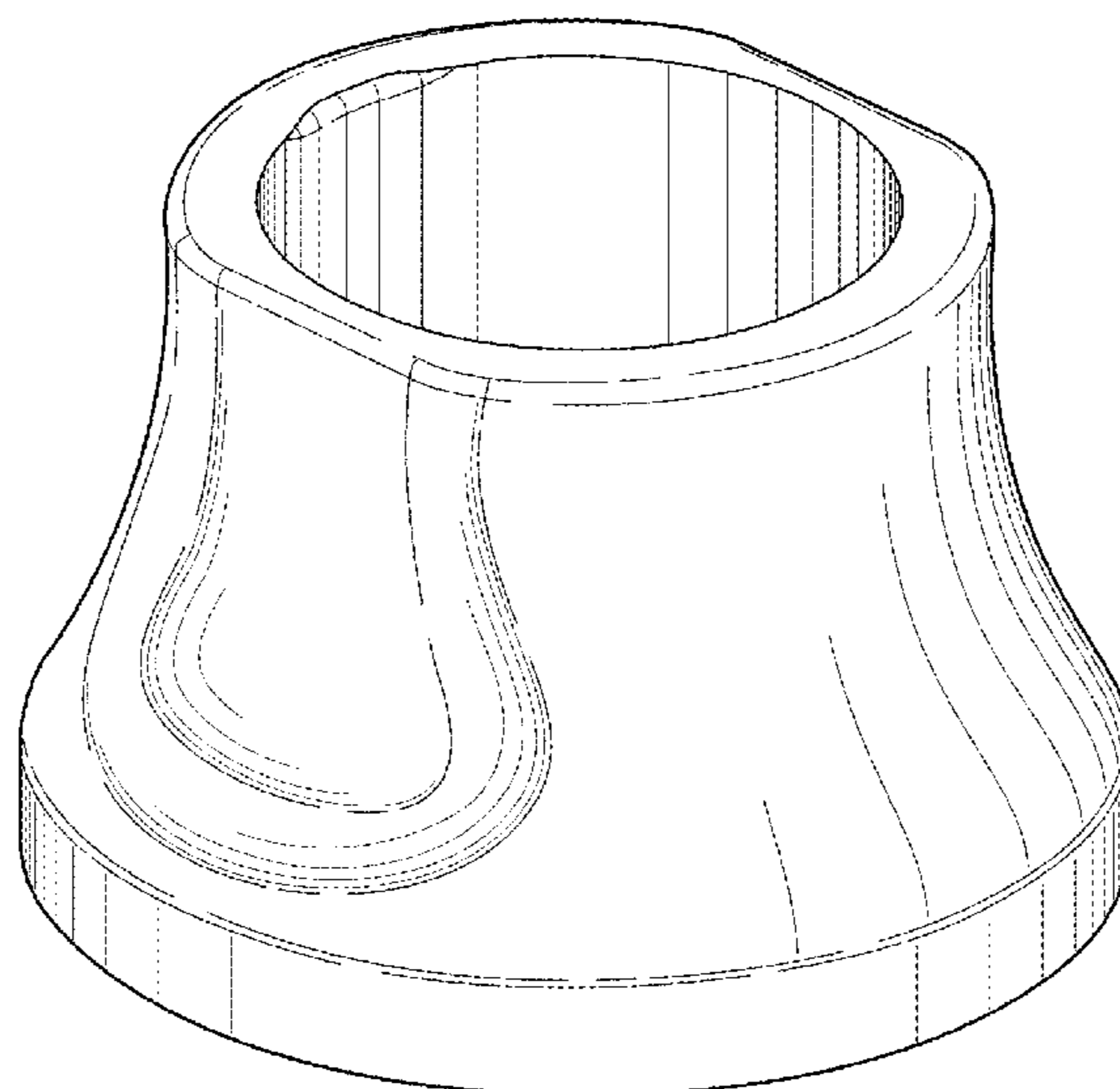
(57) **CLAIM**

The ornamental design for a tattoo transitional grip, as shown and described.

DESCRIPTION

FIG. 1 is a top perspective view of an embodiment of a tattoo transitional grip showing our new design.
FIG. 2 is a bottom perspective view thereof.
FIG. 3 is a left side elevational view thereof.
FIG. 4 is a right side elevational view thereof.
FIG. 5 is a front elevational view thereof.
FIG. 6 is a rear elevational view thereof.
FIG. 7 is a top plan view thereof.
FIG. 8 is a bottom plan view thereof.
FIG. 9 is a top perspective view of the tattoo transitional grip engaged to a tattoo cartridge showing our new design.
FIG. 10 is a bottom perspective view thereof.
FIG. 11 is a left side elevational view thereof.
FIG. 12 is a right side elevational view thereof.
FIG. 13 is a front elevational view thereof.
FIG. 14 is a rear elevational view thereof.
FIG. 15 is a top plan view thereof.
FIG. 16 is a bottom plan view thereof.
FIG. 17 is a top perspective view of the tattoo transitional grip engaged with a tattoo cartridge and next to a main grip showing our new design.
FIG. 18 is a bottom perspective view thereof.
FIG. 19 is a left side elevational view thereof.
FIG. 20 is a right side elevational view thereof.
FIG. 21 is a front elevational view thereof.
FIG. 22 is a rear elevational view thereof.
FIG. 23 is a top plan view thereof; and,
FIG. 24 is a bottom plan view thereof.
The broken lines showing the environmental structures of a tattoo cartridge and a tattoo main grip are unclaimed subject matter and form no part of the claimed design.

1 Claim, 24 Drawing Sheets



(56)

References Cited

U.S. PATENT DOCUMENTS

D757,259 S * 5/2016 Duck D24/129
D760,384 S * 6/2016 Niunoya D24/127
D771,247 S * 11/2016 Shinohara D24/130
D794,781 S * 8/2017 Gilbert D24/129
D799,939 S * 10/2017 Lowitz D8/354
D800,895 S * 10/2017 Prentice D24/110.4
D806,241 S * 12/2017 Swinney D24/129
D820,441 S * 6/2018 Ketelhohn A61B 17/22012
D24/127
D831,201 S * 10/2018 Holtz D24/129
D834,187 S * 11/2018 Ryan A61M 39/20
D24/130
D847,373 S * 4/2019 Hurwit D24/231
D848,620 S * 5/2019 Leard D24/164
D859,125 S * 9/2019 Weagle D8/310
2011/0166534 A1 * 7/2011 Ricol A61M 39/02
604/288.02
2013/0267864 A1 * 10/2013 Addington A61B 5/4839
600/538
2014/0163465 A1 * 6/2014 Bartlett, II A61M 5/31596
604/90

* cited by examiner

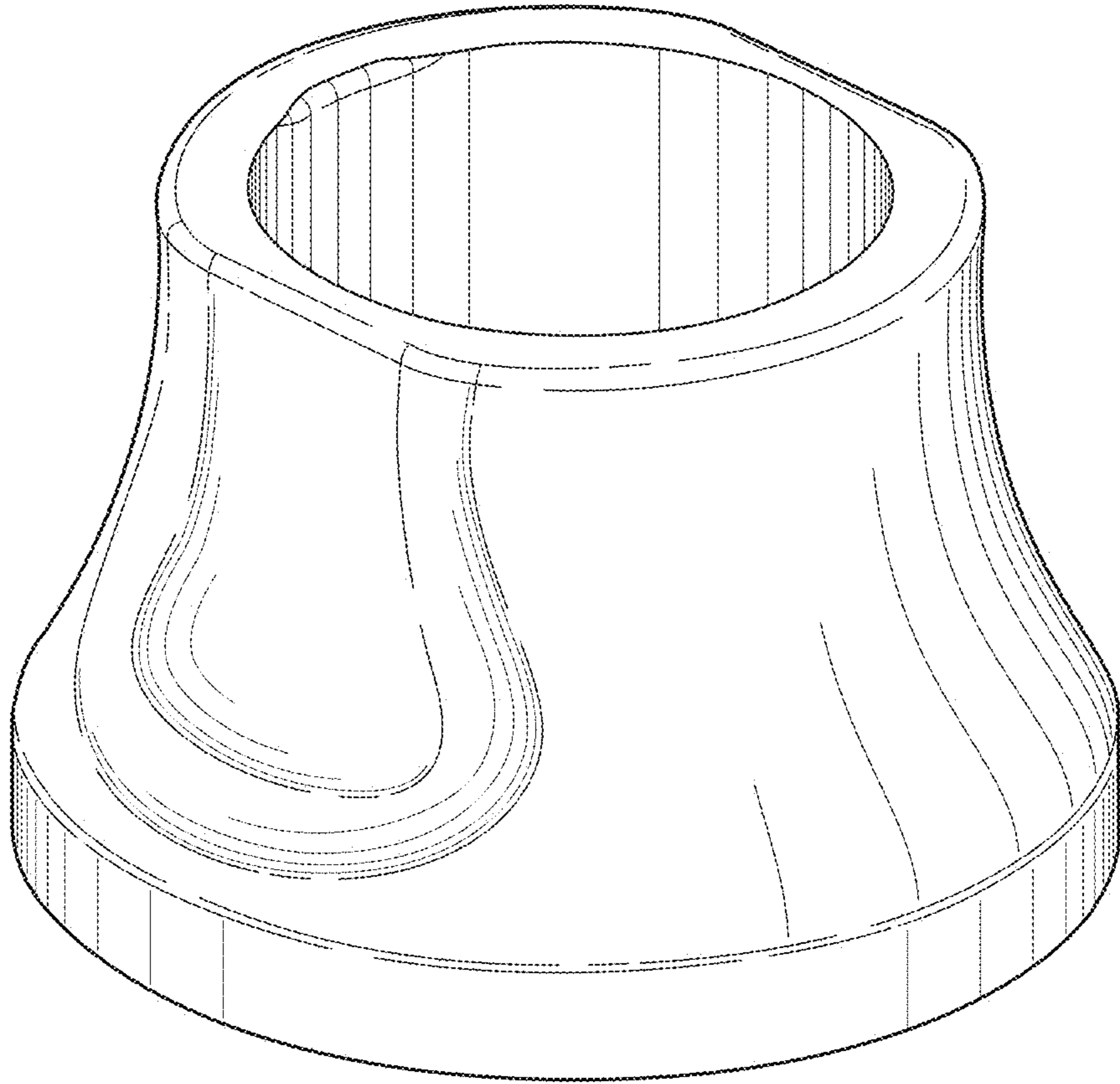


Fig. 1

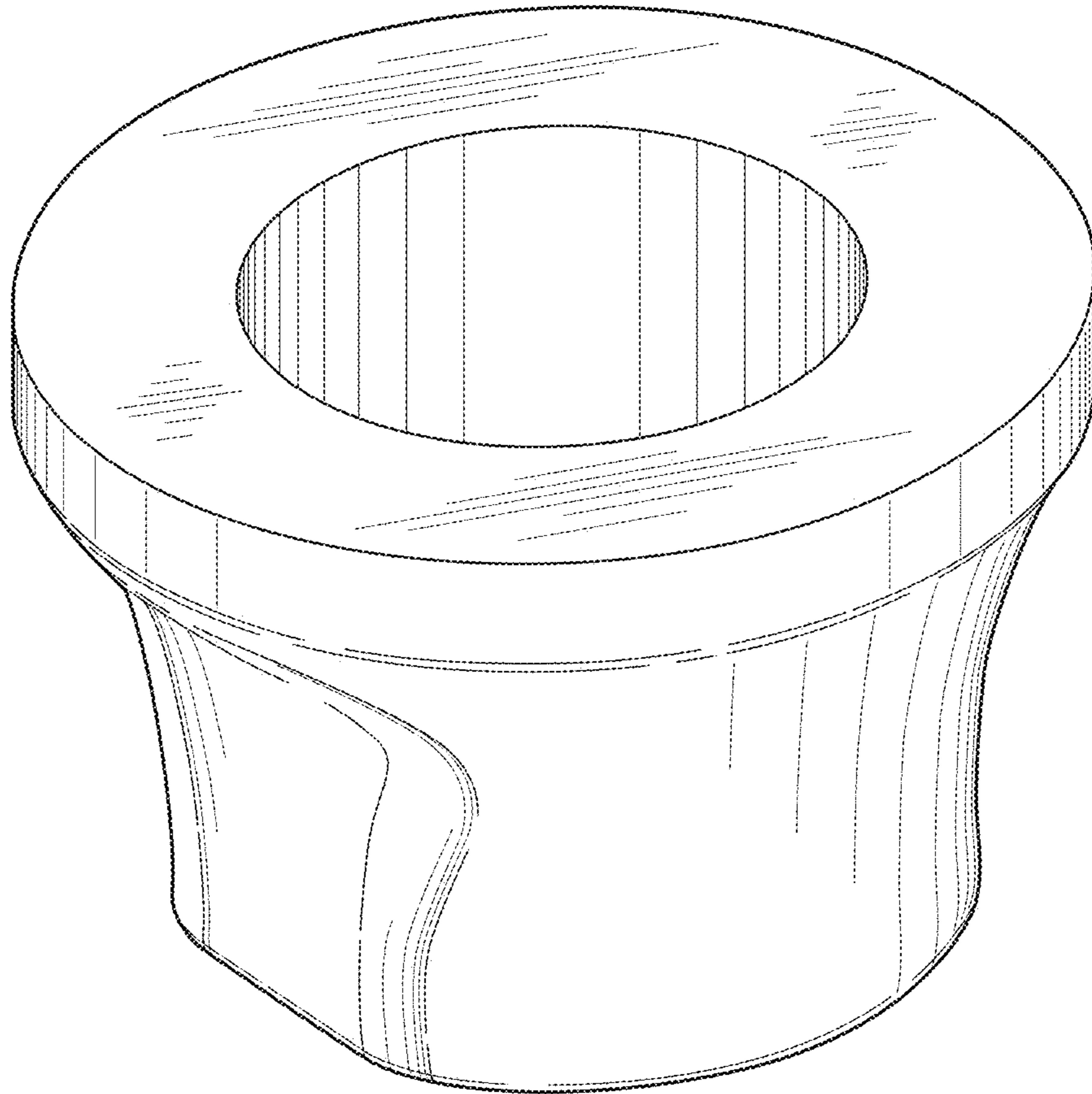


Fig.2

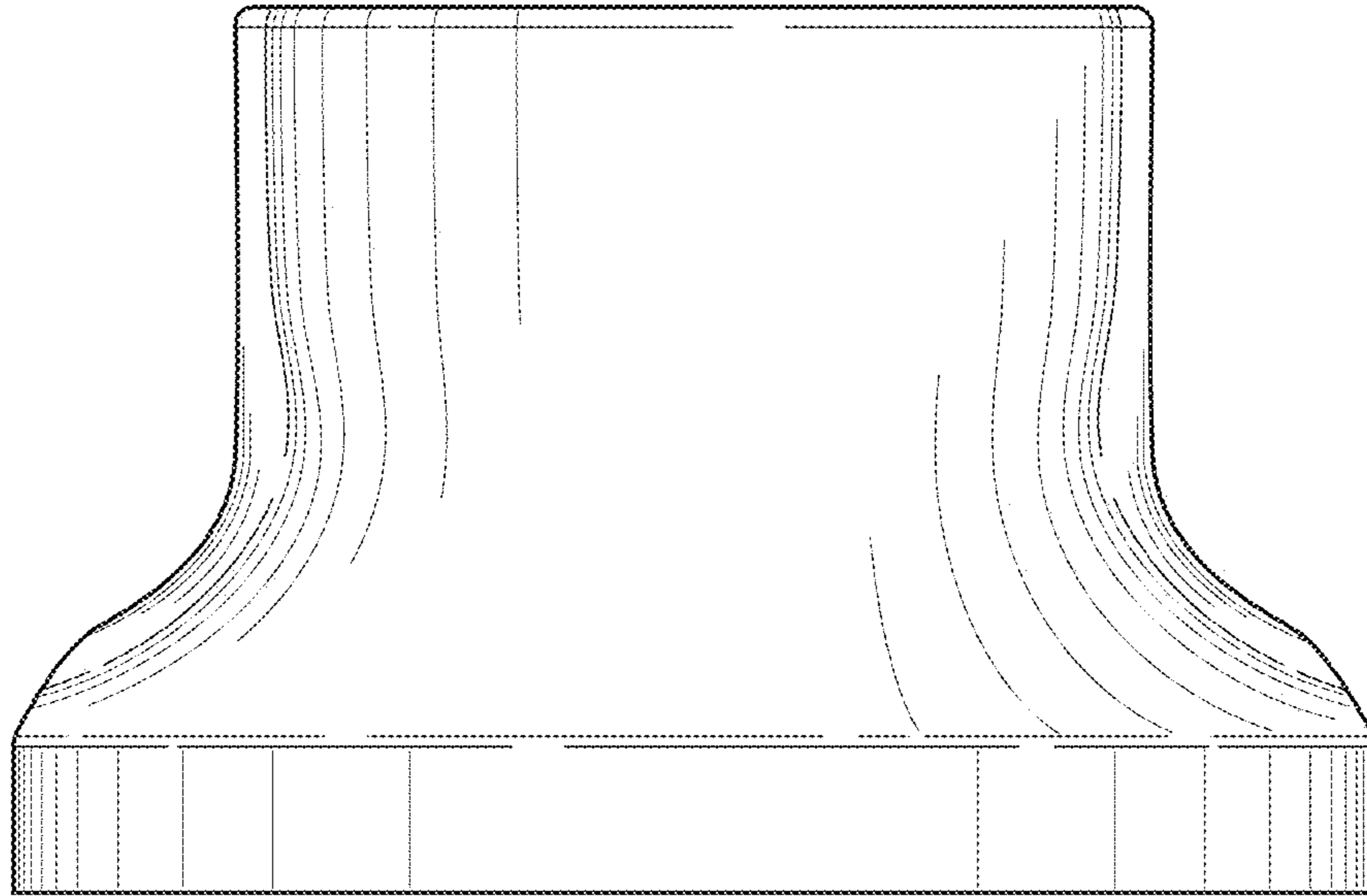


Fig.3

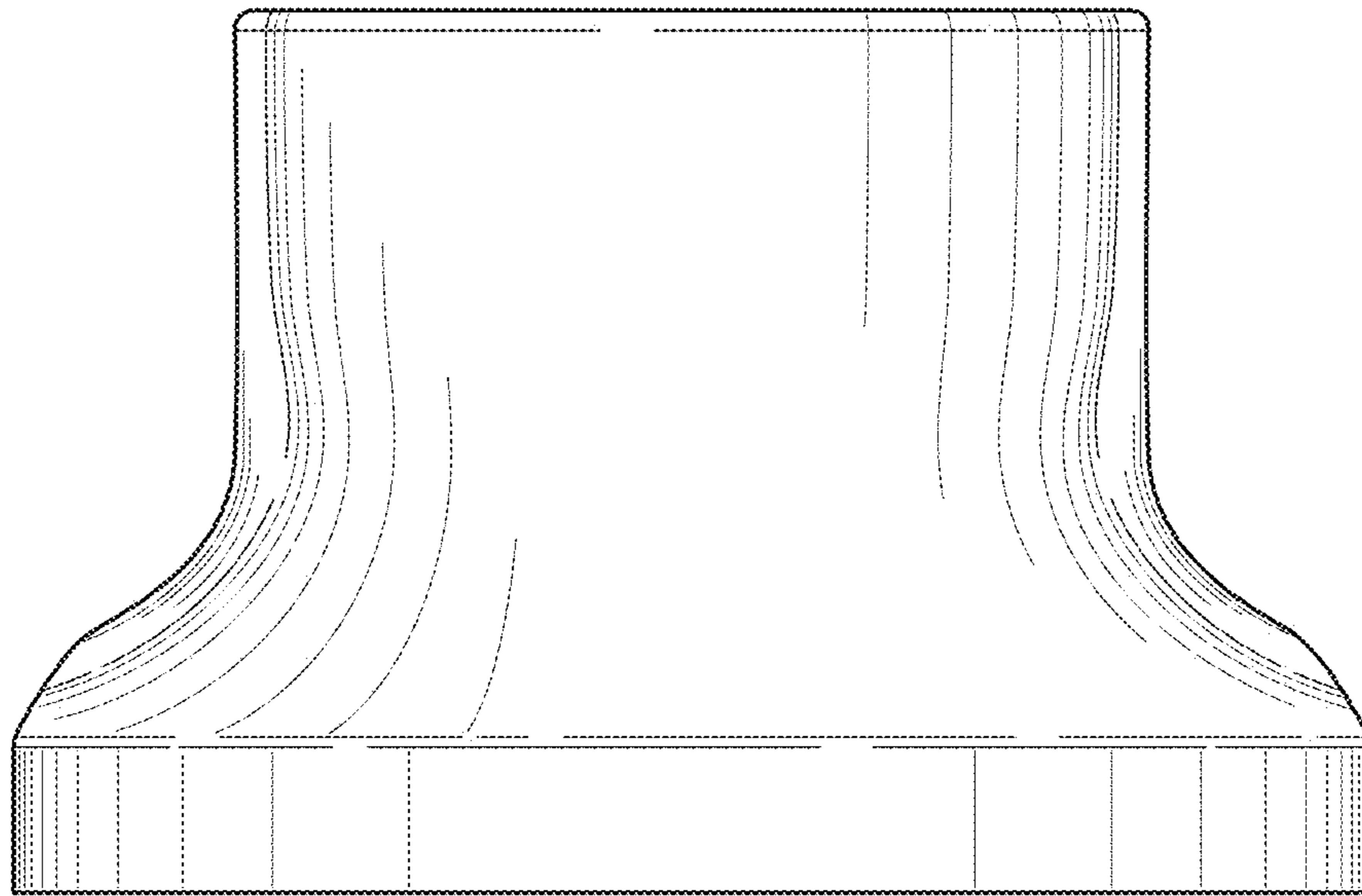


Fig.4

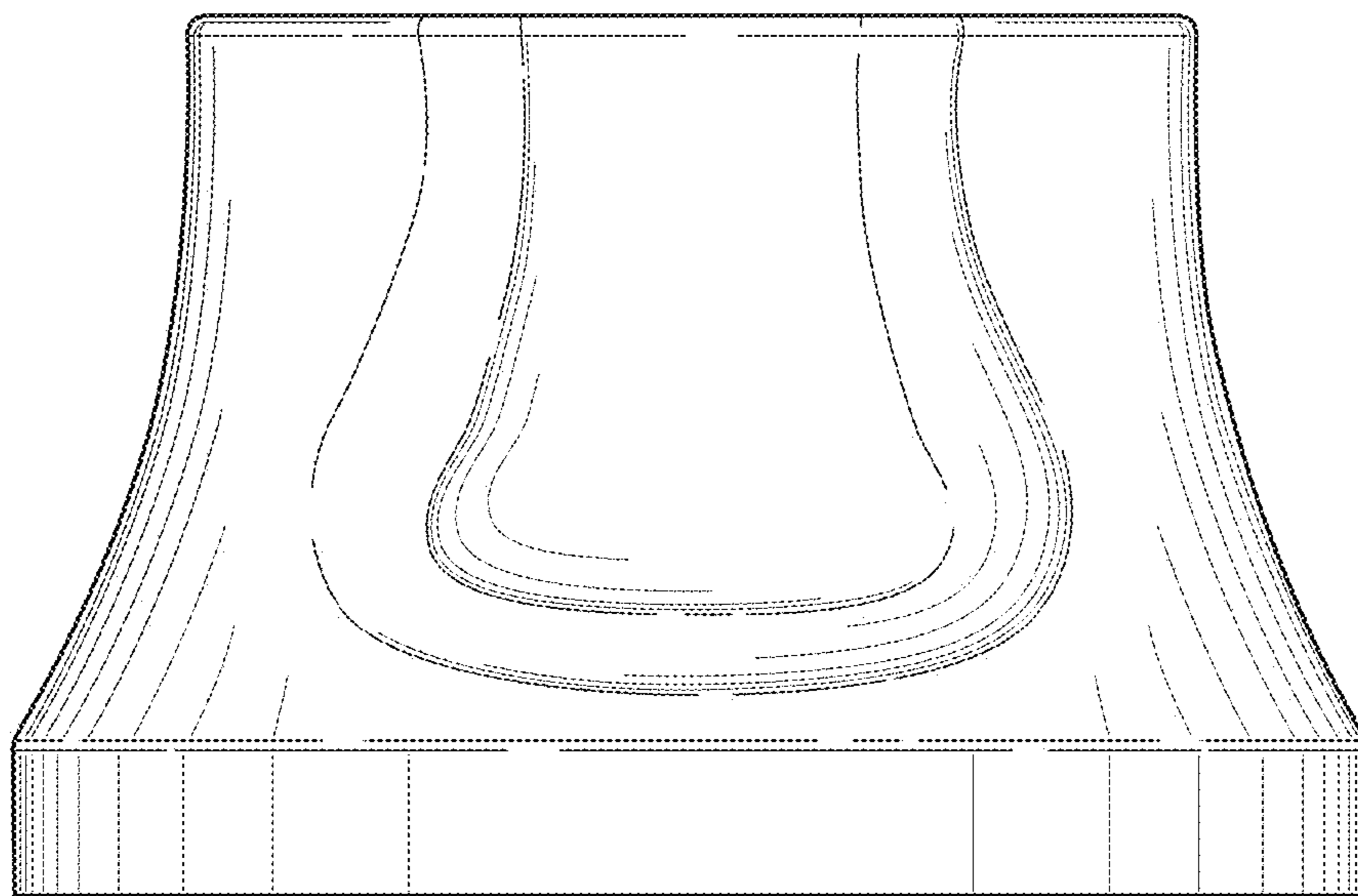


Fig.5

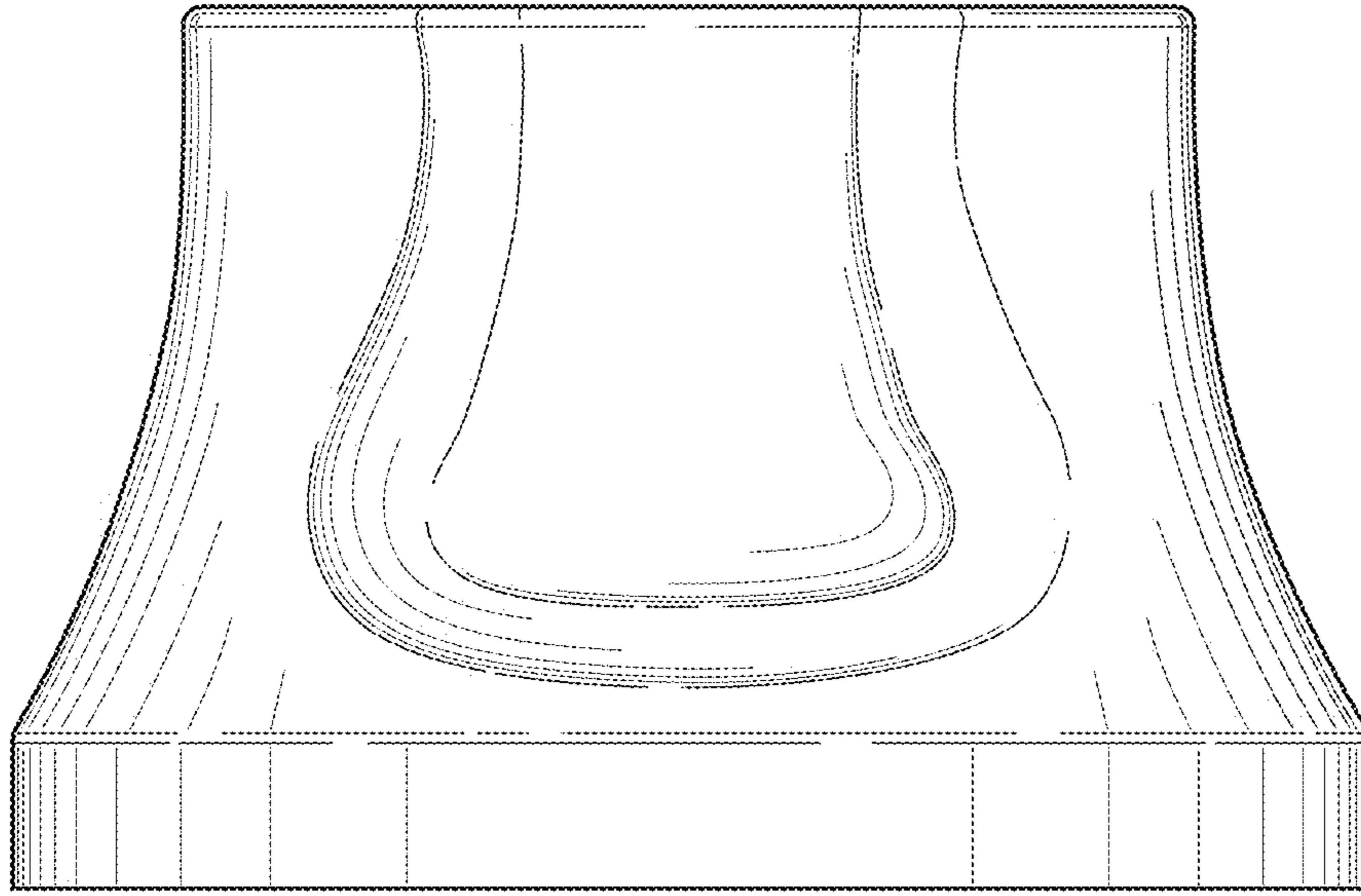


Fig.6

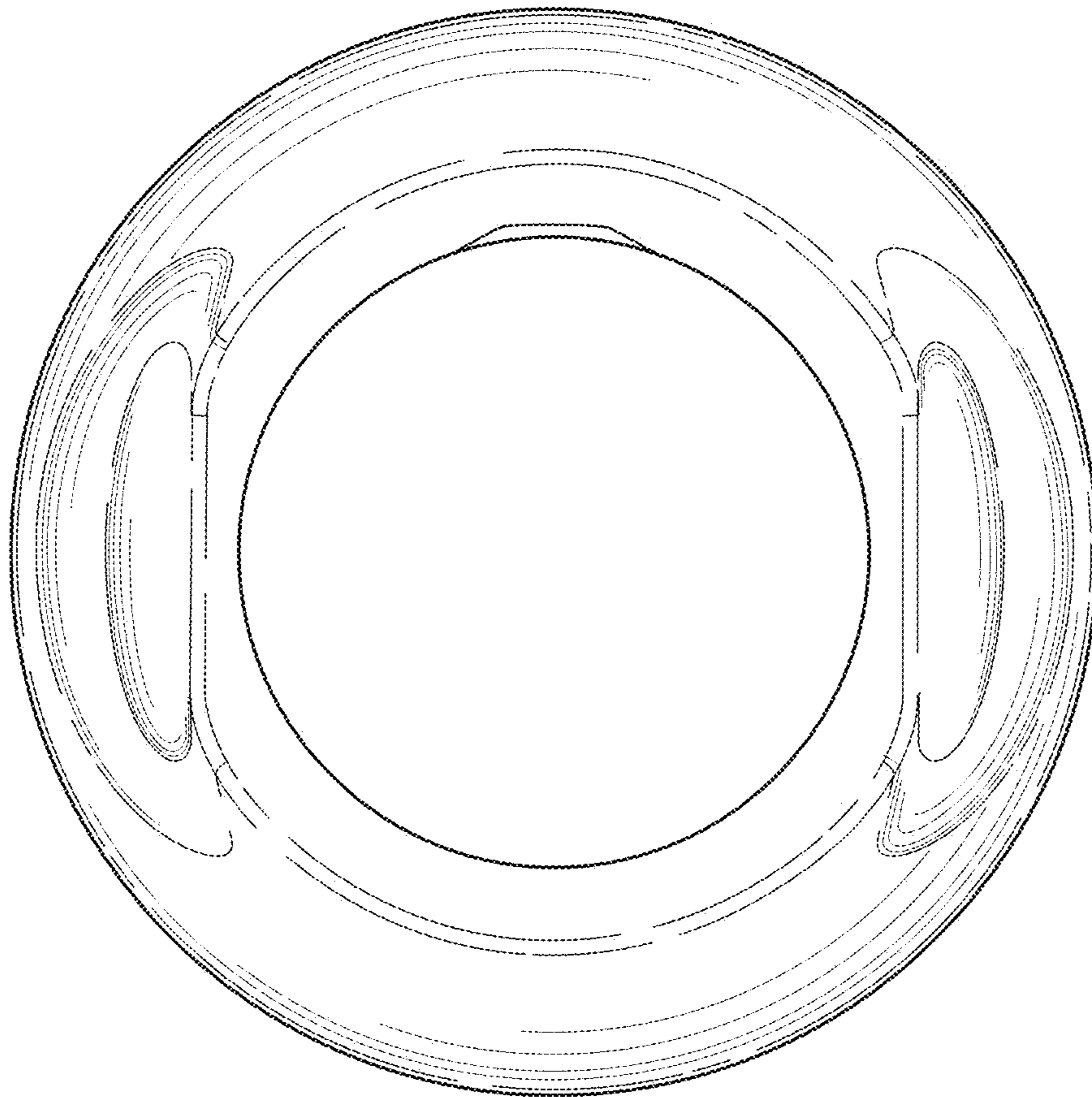


Fig. 7

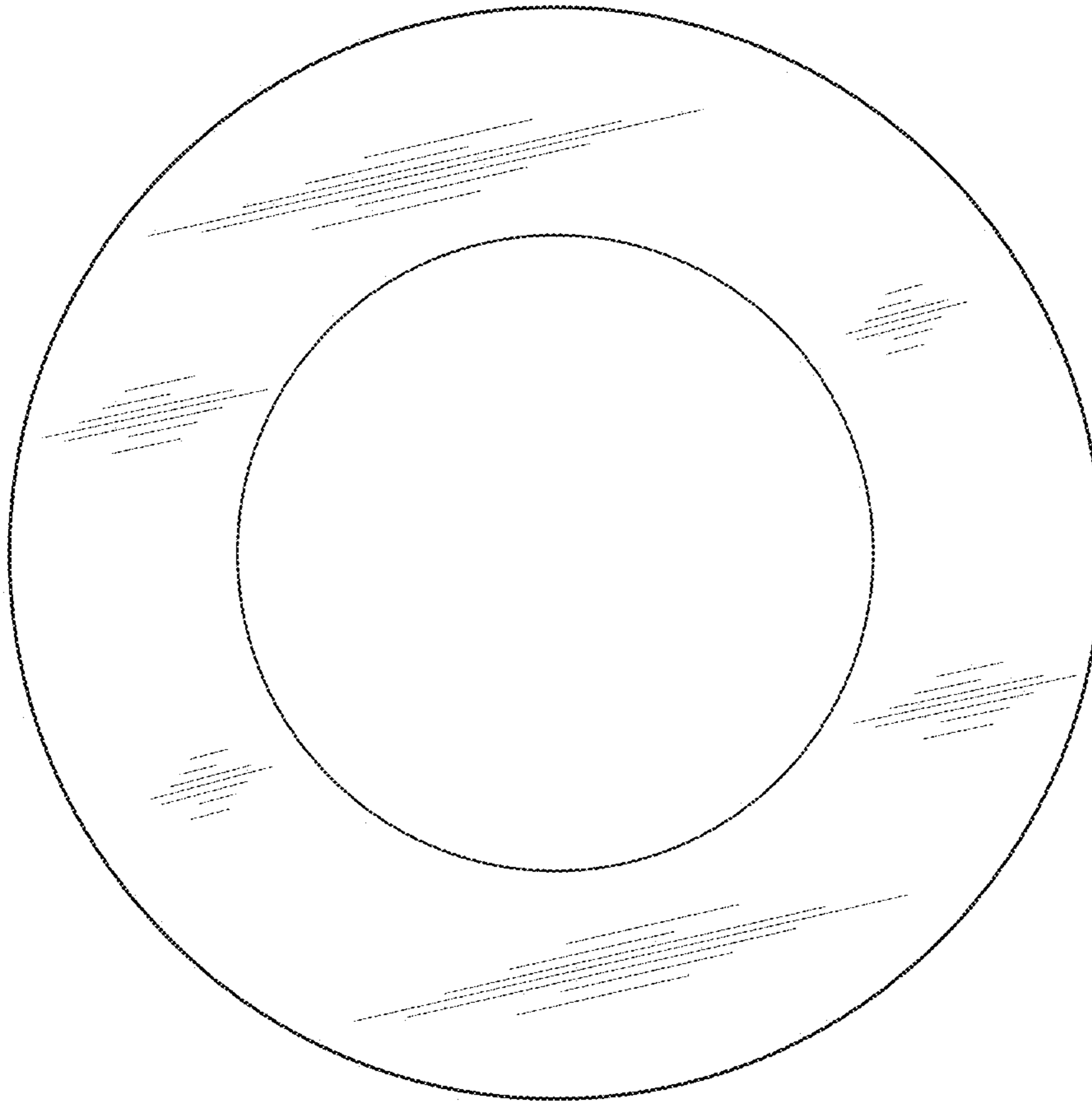


Fig.8

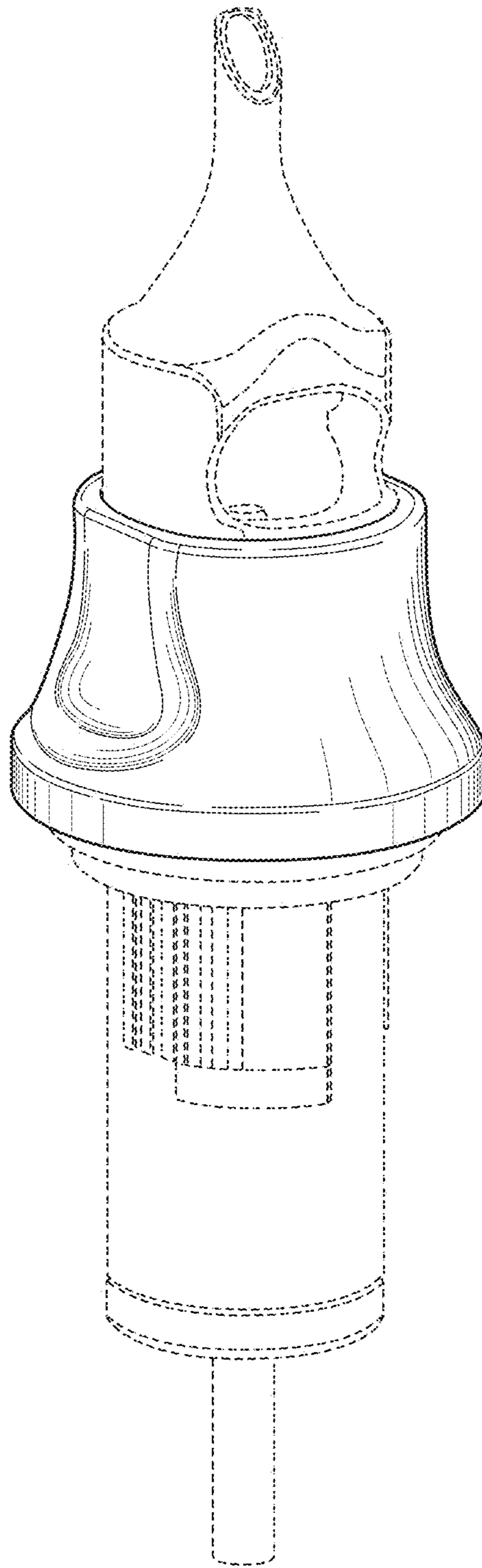


Fig.9

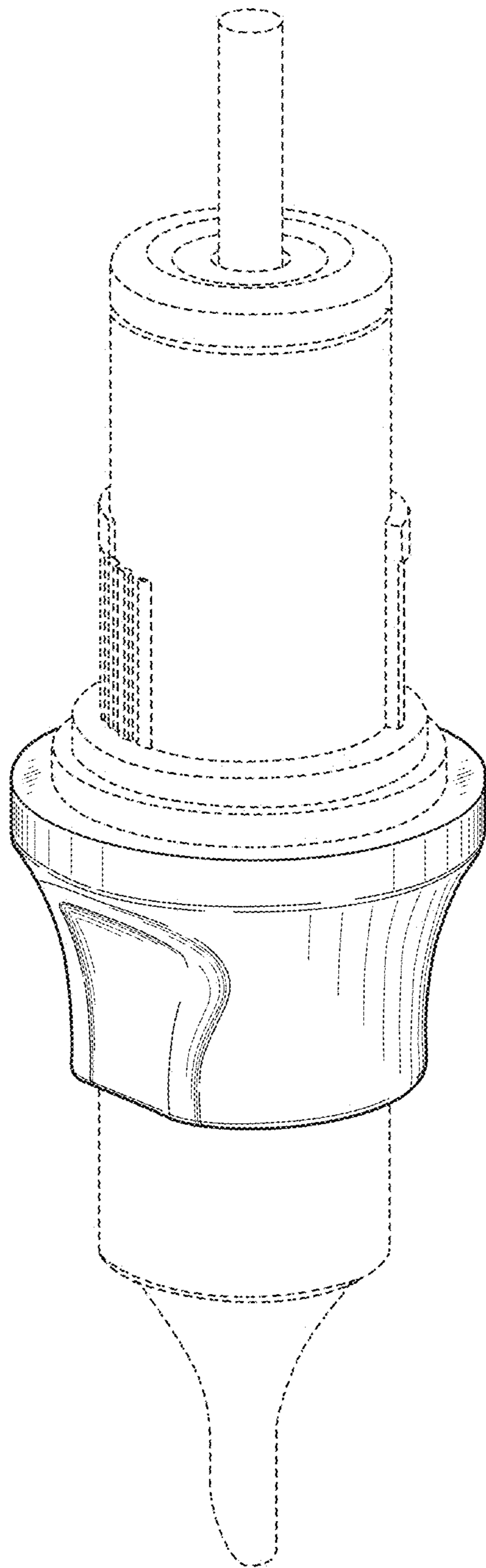


Fig. 10

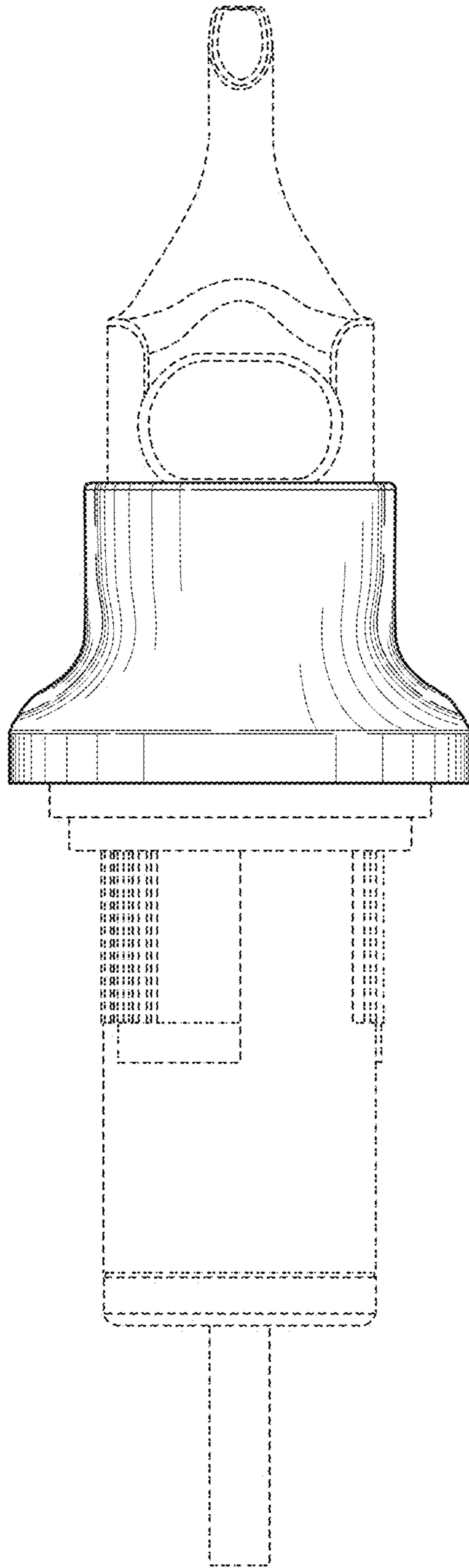


Fig. 11

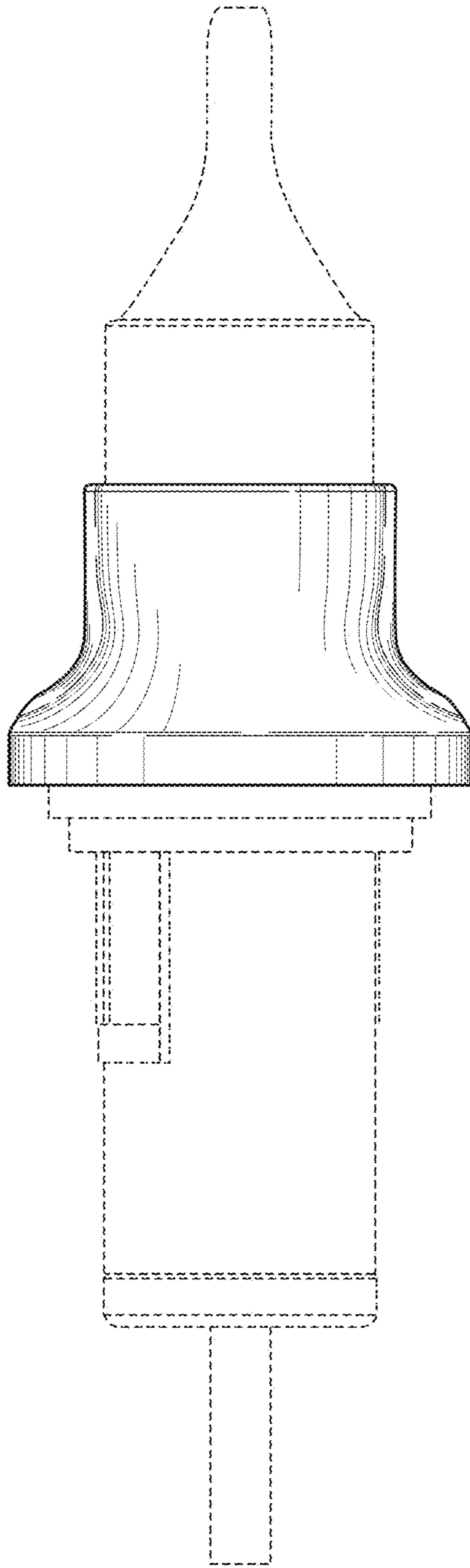


Fig. 12

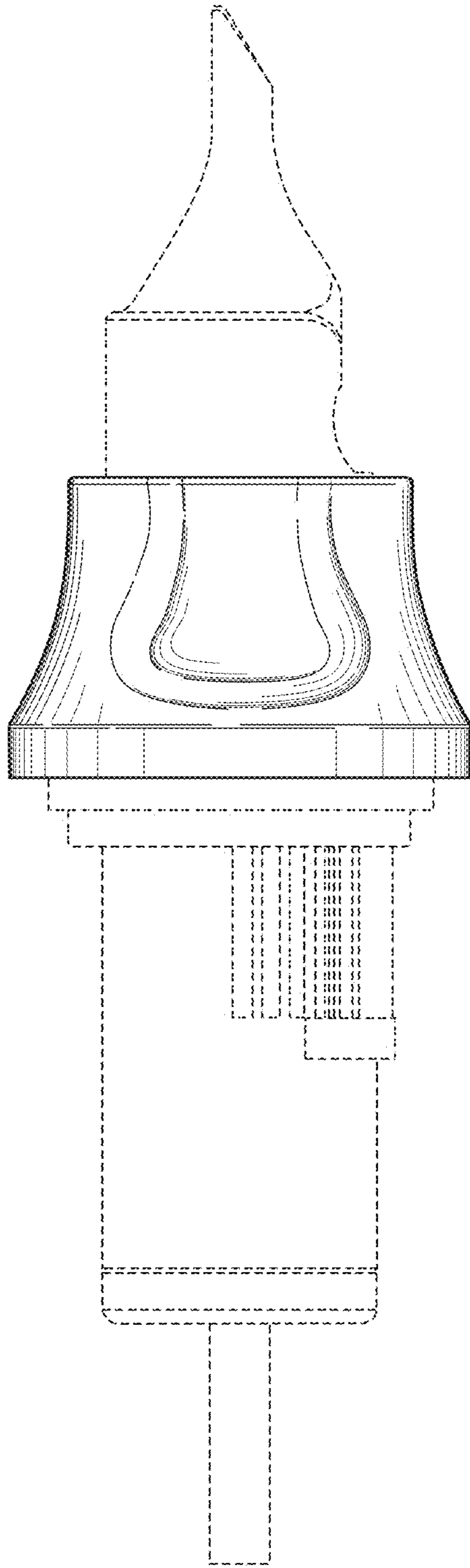


Fig. 13

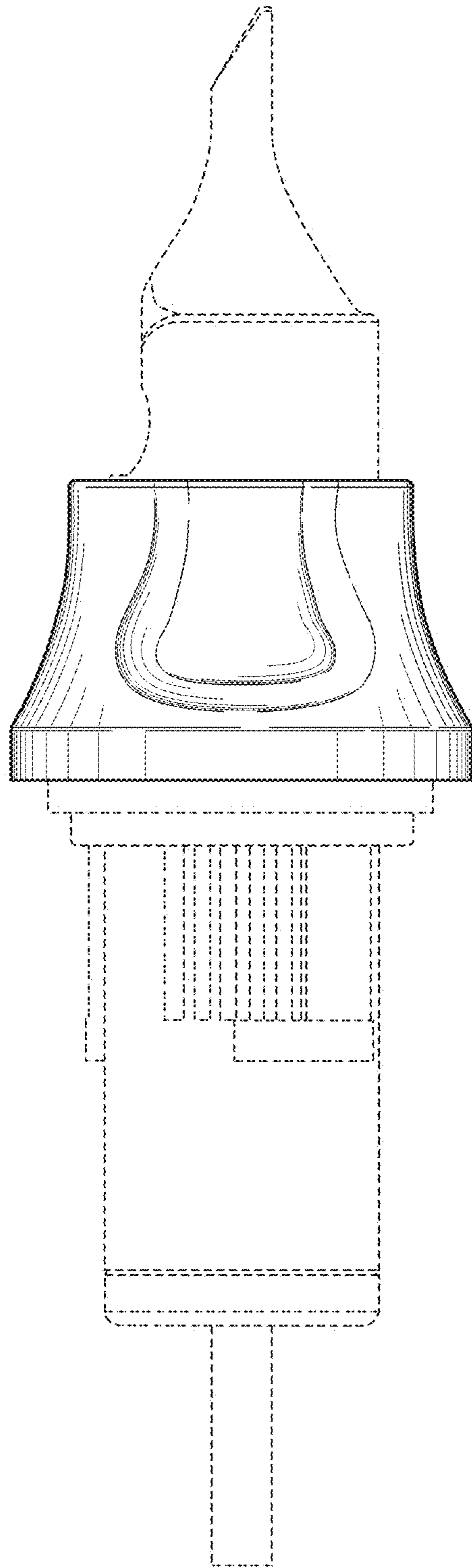


Fig. 14

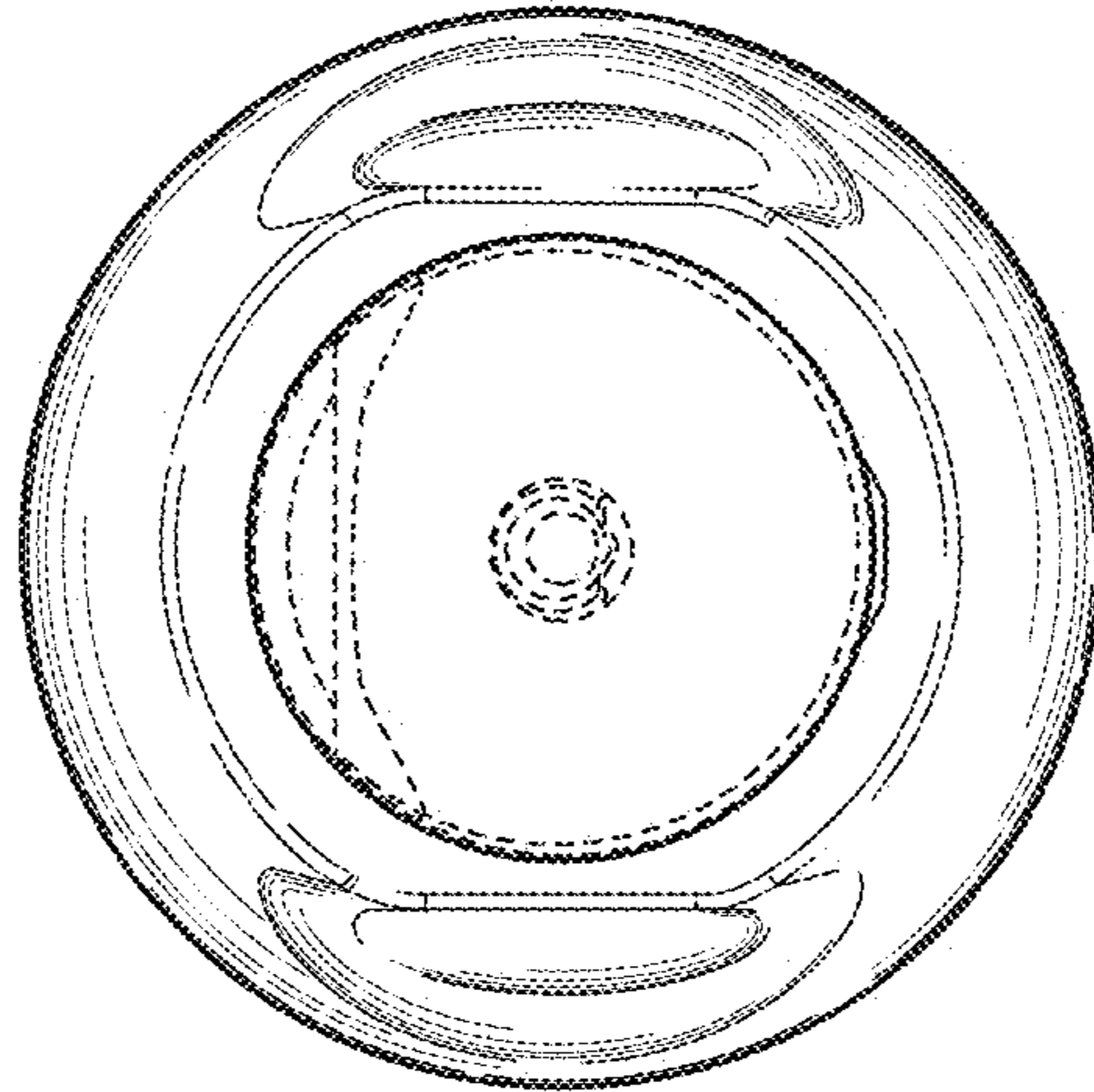


Fig. 15

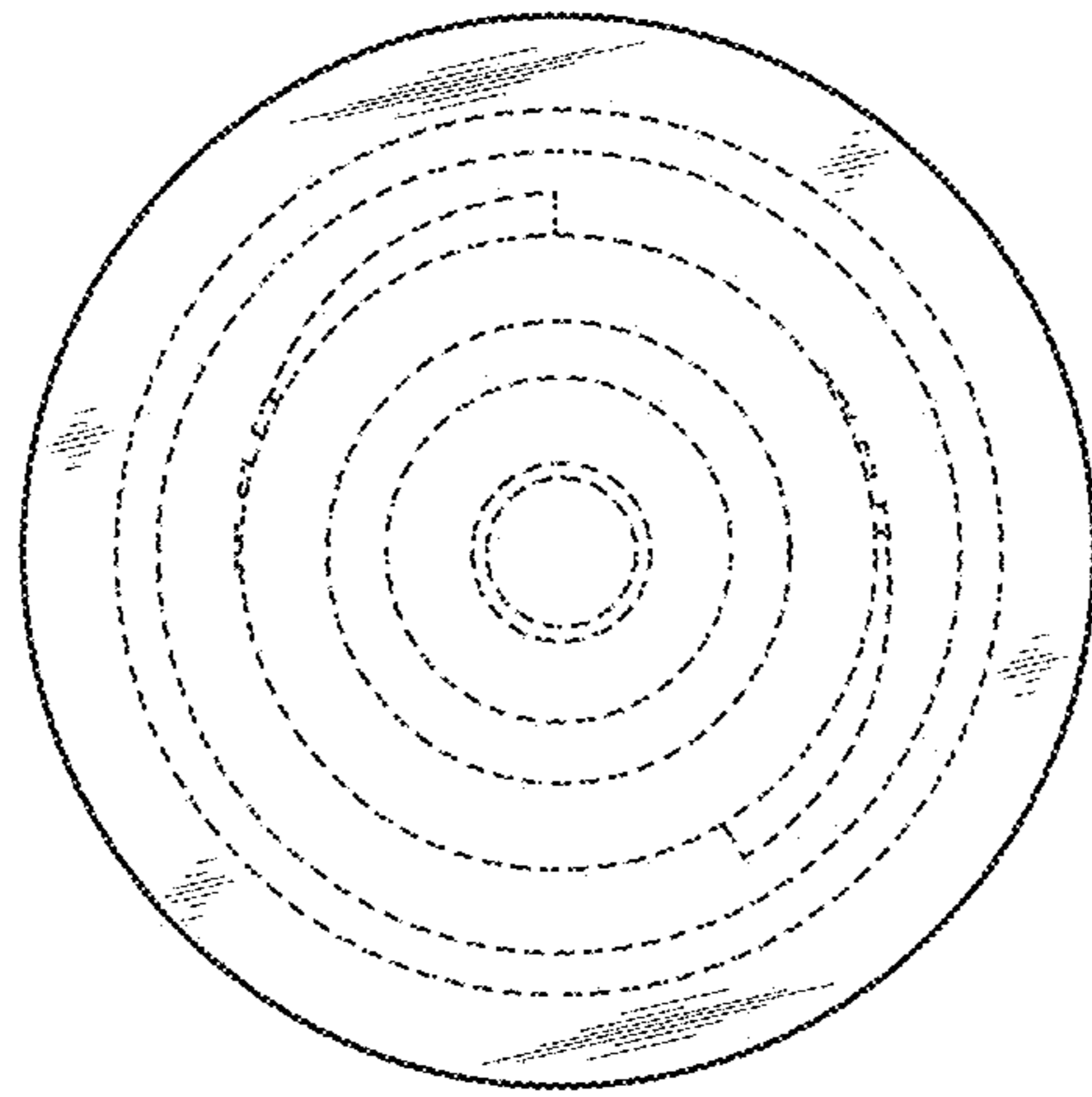


Fig. 16

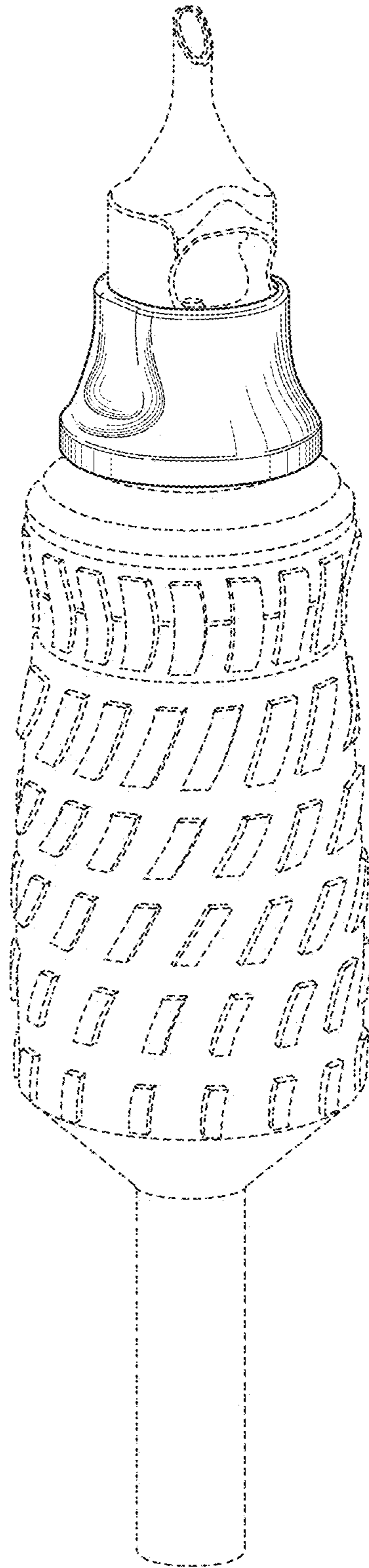


Fig. 17

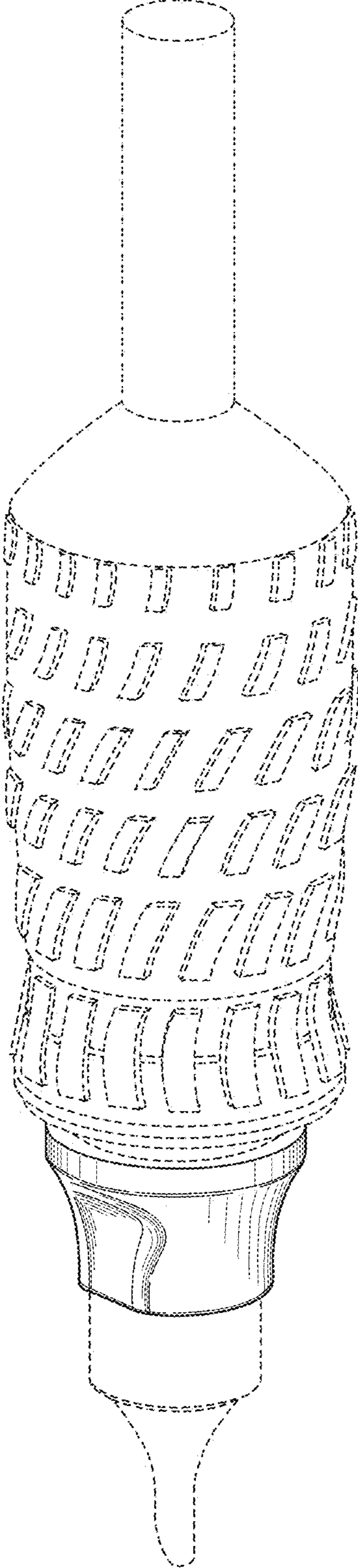


Fig. 18

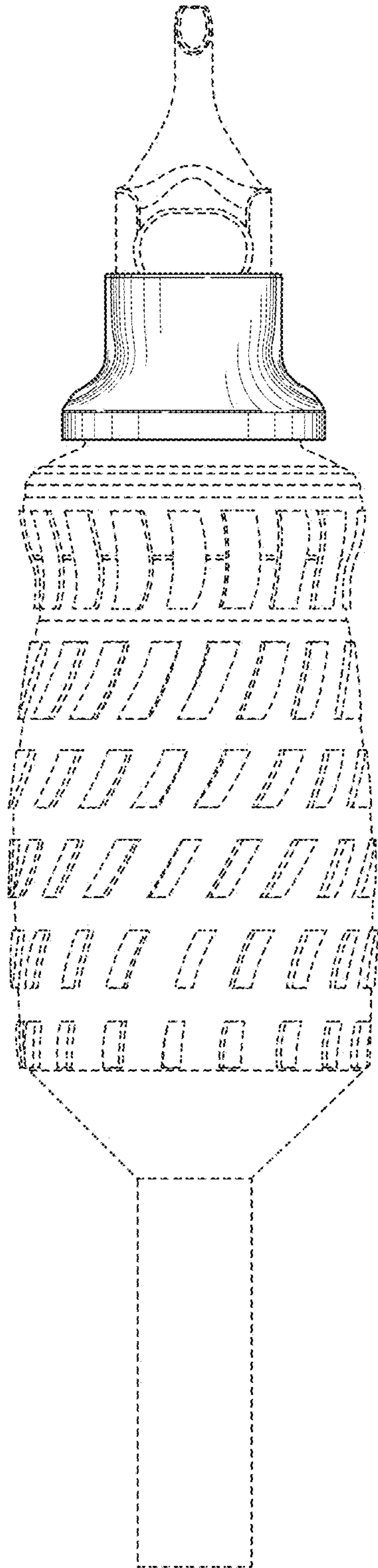


Fig. 19

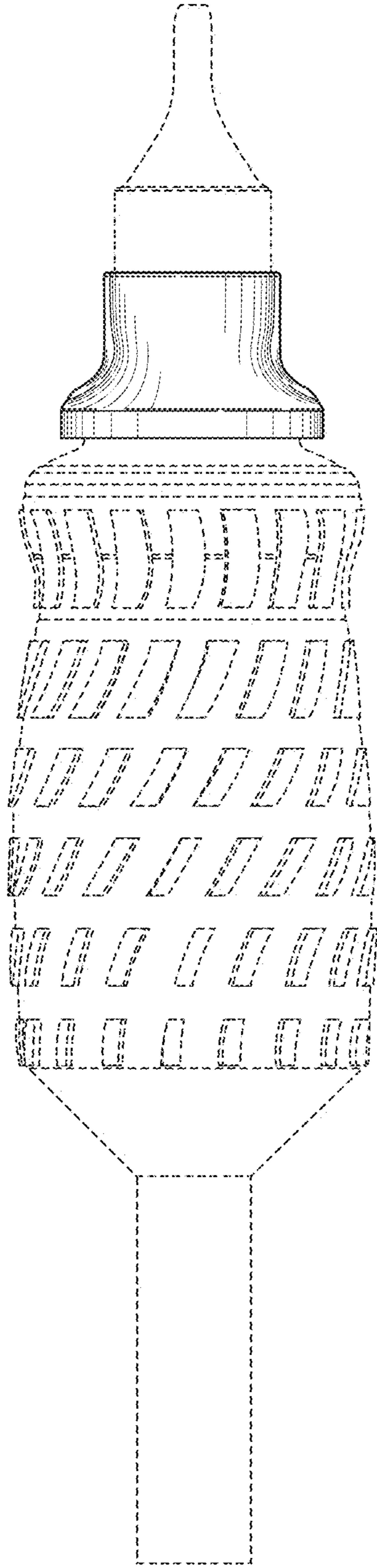


Fig.20

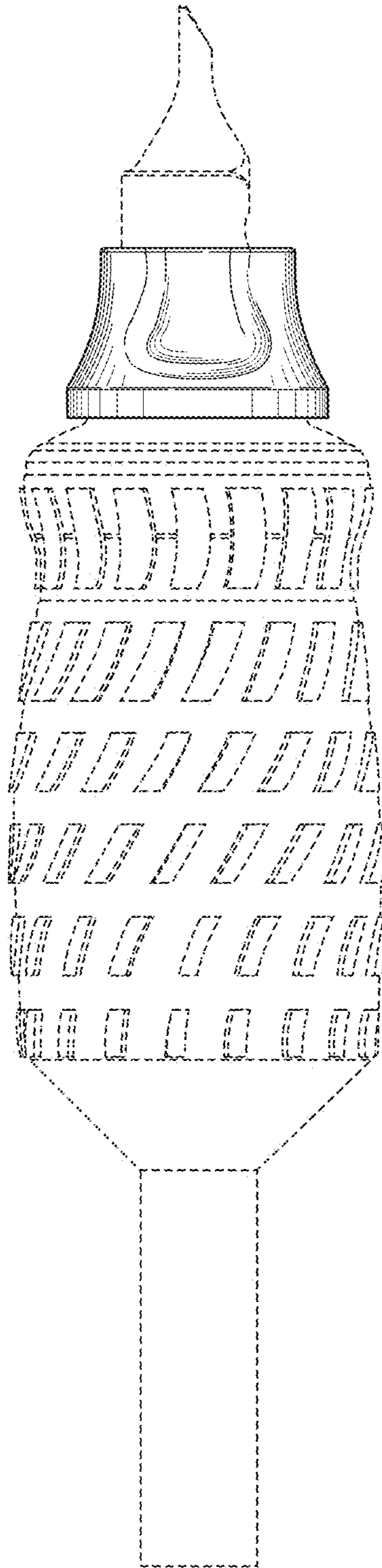


Fig. 21

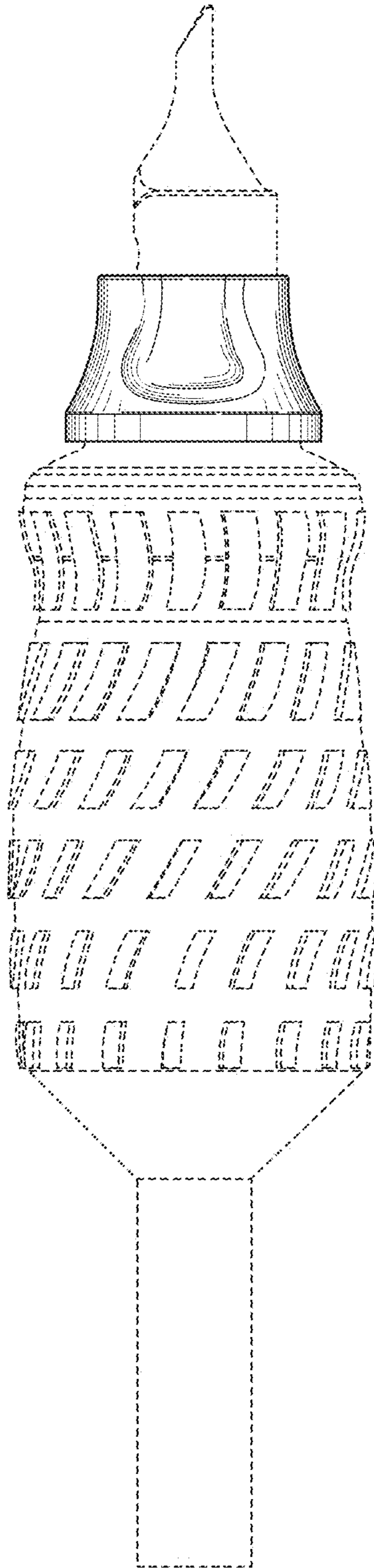


Fig.22

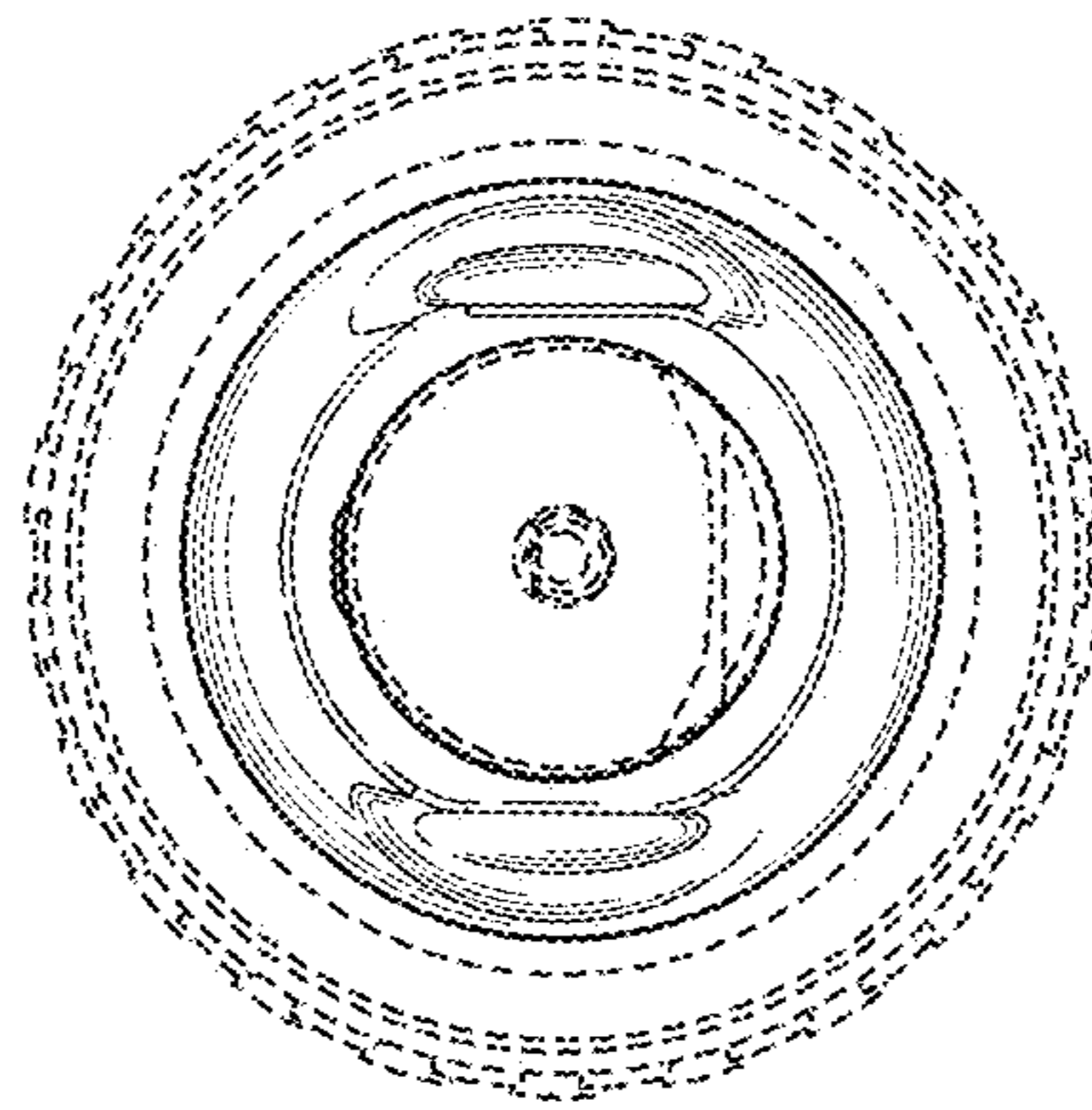


Fig.23

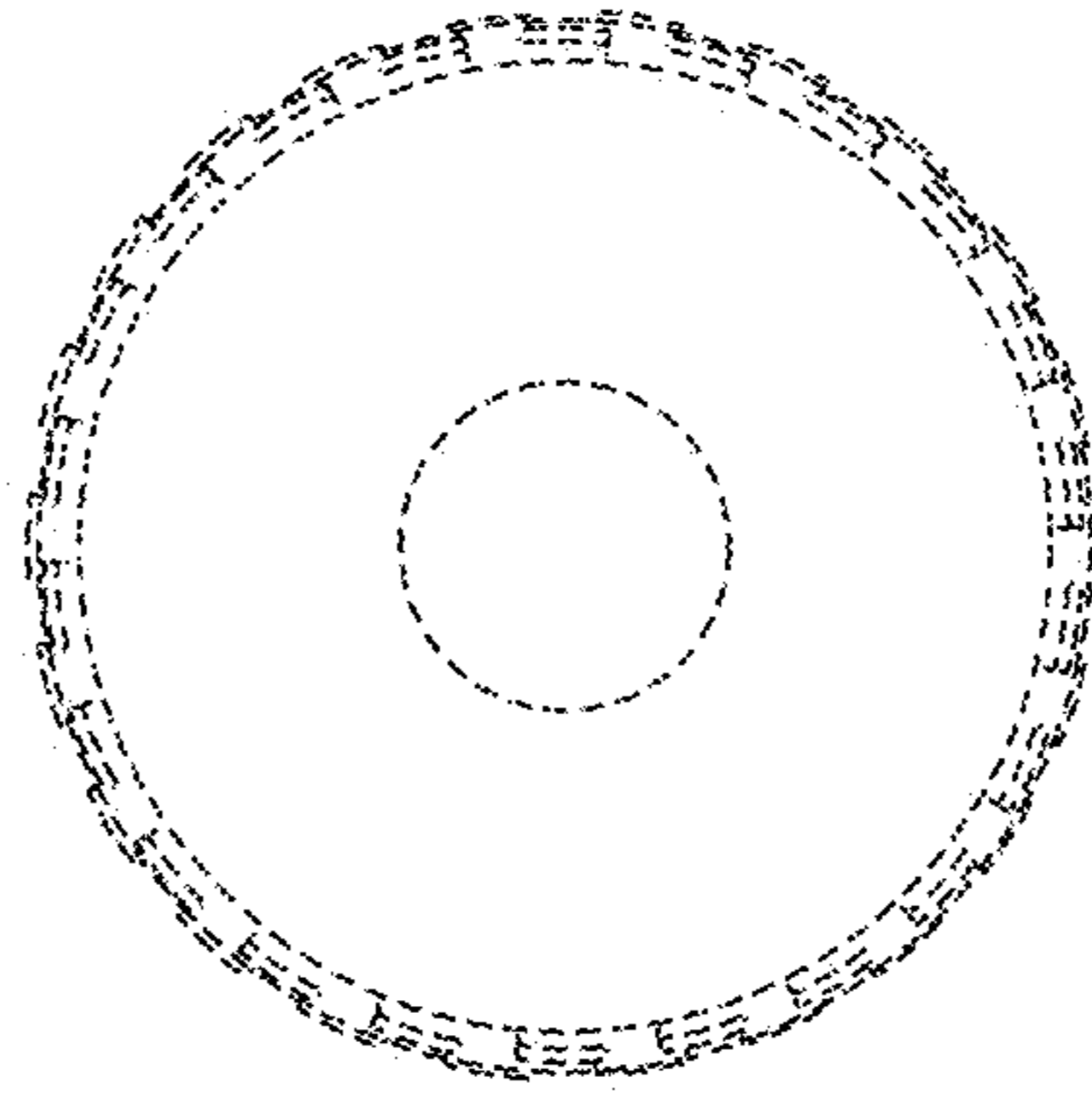


Fig.24