



US00D877897S

(12) **United States Design Patent**
Ouellette

(10) **Patent No.:** **US D877,897 S**

(45) **Date of Patent:** **** Mar. 10, 2020**

(54) **PROBE SHEATH**

(71) Applicant: **GE HEALTHCARE BIO-SCIENCES CORP.**, Marlborough, MA (US)

(72) Inventor: **Matthew David Ouellette**, Newton, MA (US)

(73) Assignee: **GE HEALTHCARE BIO-SCIENCES CORP.**, Marlborough, MA (US)

(**) Term: **15 Years**

(21) Appl. No.: **29/631,385**

(22) Filed: **Dec. 29, 2017**

(51) **LOC (12) Cl.** **24-02**

(52) **U.S. Cl.**

USPC **D24/127**

(58) **Field of Classification Search**

USPC D24/127-131, 112-114, 133, 186;
606/181, 185; 604/264, 523-528, 272,
604/187, 158, 164.01-164.11, 181, 184,
604/227; 600/101, 139, 143;
128/200.24, 207.14, 207.15

CPC .. A61M 25/065; A61M 5/42; A61M 25/0612;
A61M 25/00; A61M 39/00; A61M 27/00;
A61M 25/0043; A61M 25/0067; A61M
25/0097; A61F 2/958

See application file for complete search history.

(56) **References Cited**

U.S. PATENT DOCUMENTS

D492,772 S * 7/2004 Austin D24/110
7,431,712 B2 * 10/2008 Kim A61M 5/36
604/256

D593,801 S * 6/2009 Wilson D24/114
D608,885 S * 1/2010 Sneddon D24/127
D673,673 S * 1/2013 Wang D24/129
D741,476 S * 10/2015 Hiraoka D24/114
D747,799 S * 1/2016 Norton D24/130
D748,270 S * 1/2016 Pietrantonio D24/186
D770,612 S * 11/2016 Green D24/114
D772,407 S * 11/2016 Zhang D24/133
D792,579 S * 7/2017 Ohashi D24/114
D818,117 S * 5/2018 Green D24/112
D821,572 S * 6/2018 Clawson D24/113

* cited by examiner

Primary Examiner — David G Muller

(74) *Attorney, Agent, or Firm* — Grogan, Tuccillo & Vanderleeden, LLP

(57) **CLAIM**

The ornamental design for a probe sheath, as shown and described.

DESCRIPTION

FIG. 1 is a perspective view of a probe sheath depicting the new design;

FIG. 2 is a side view thereof;

FIG. 3 is an opposite side view thereof;

FIG. 4 is an end view thereof;

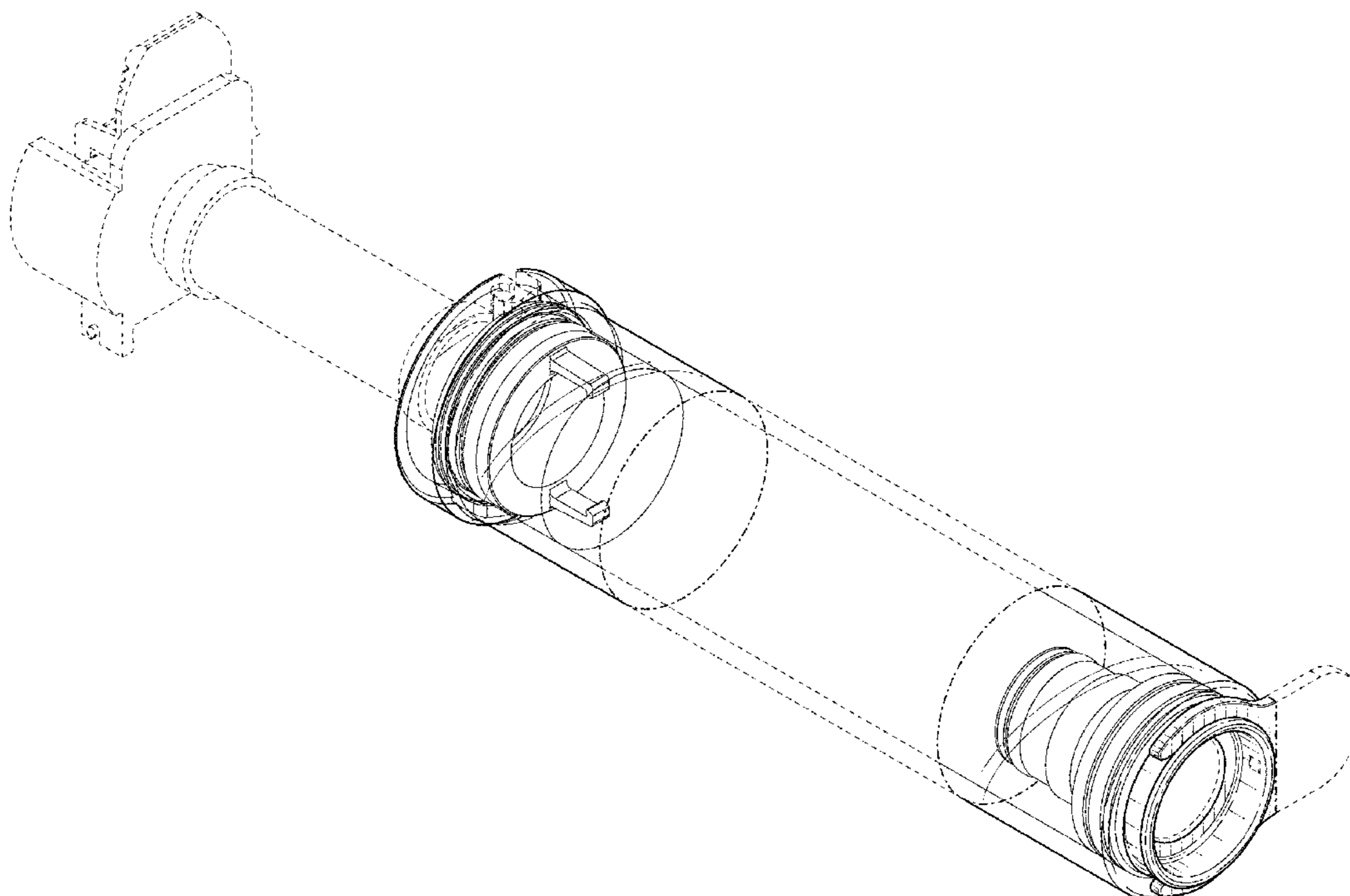
FIG. 5 is an opposite end view thereof;

FIG. 6 is a top view thereof; and,

FIG. 7 is a bottom view thereof.

The broken line portions of the figures show unclaimed subject matter only and form no part of the claimed designs. The dot-dash lines represent boundaries of the claimed designs which do not form a part of the claimed designs.

1 Claim, 4 Drawing Sheets



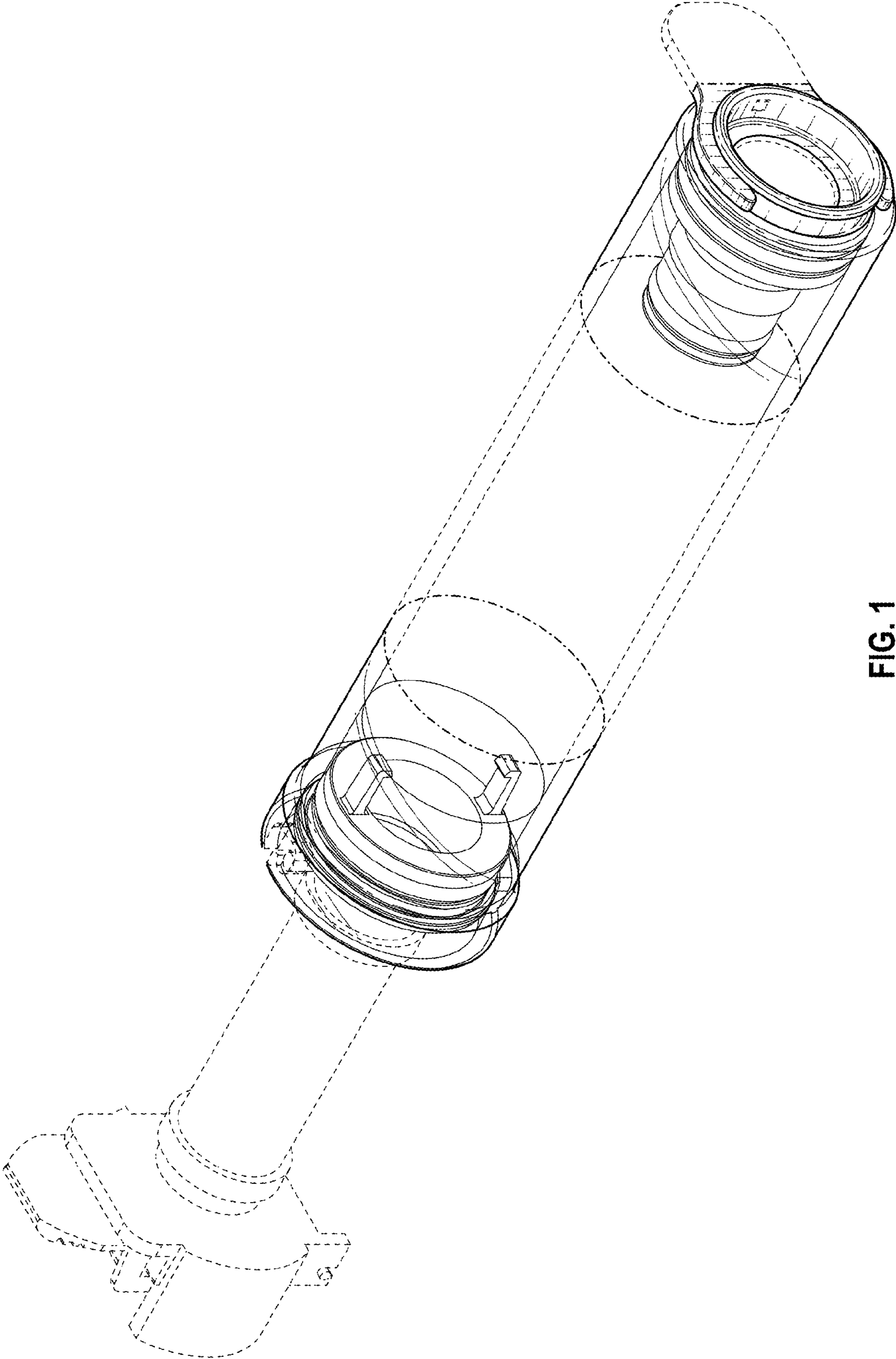


FIG. 1

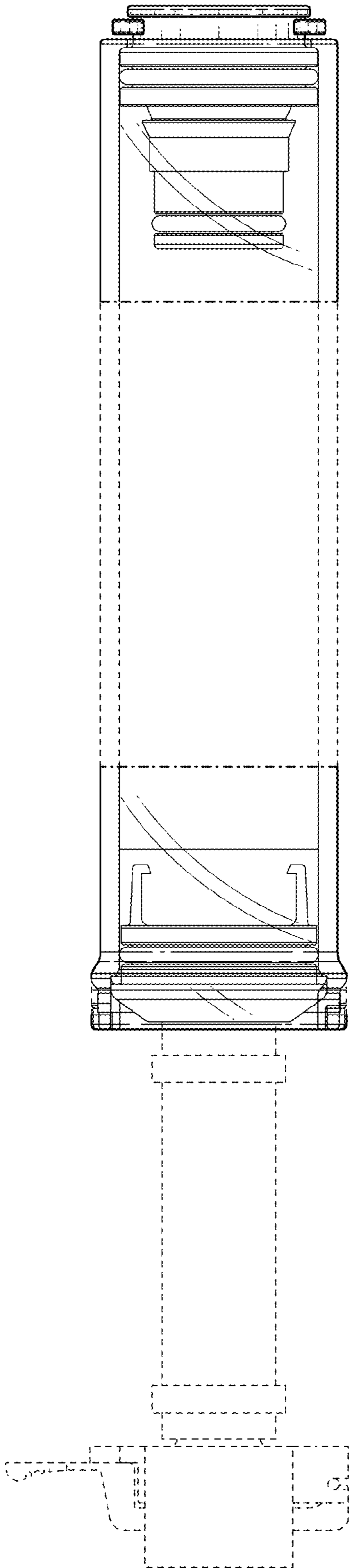


FIG. 2

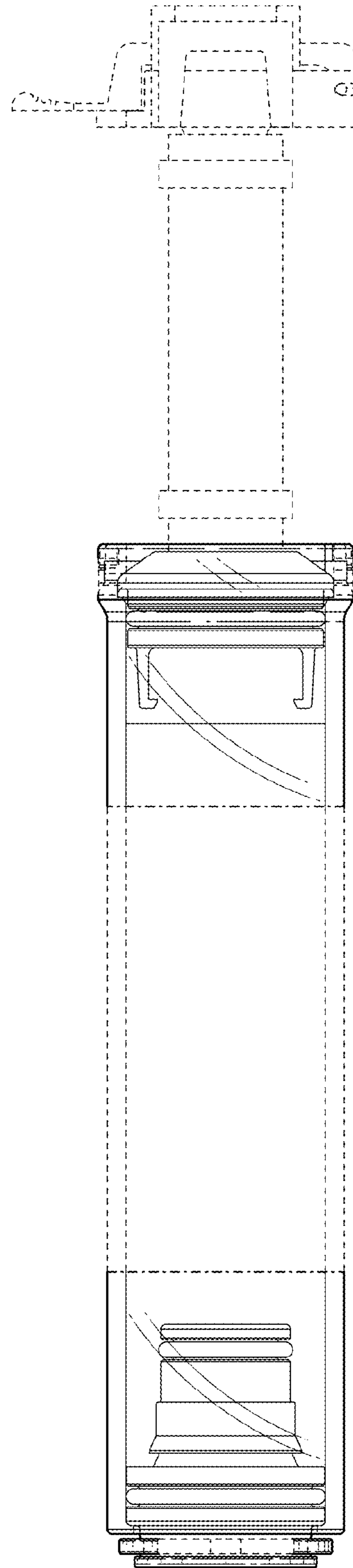


FIG. 3

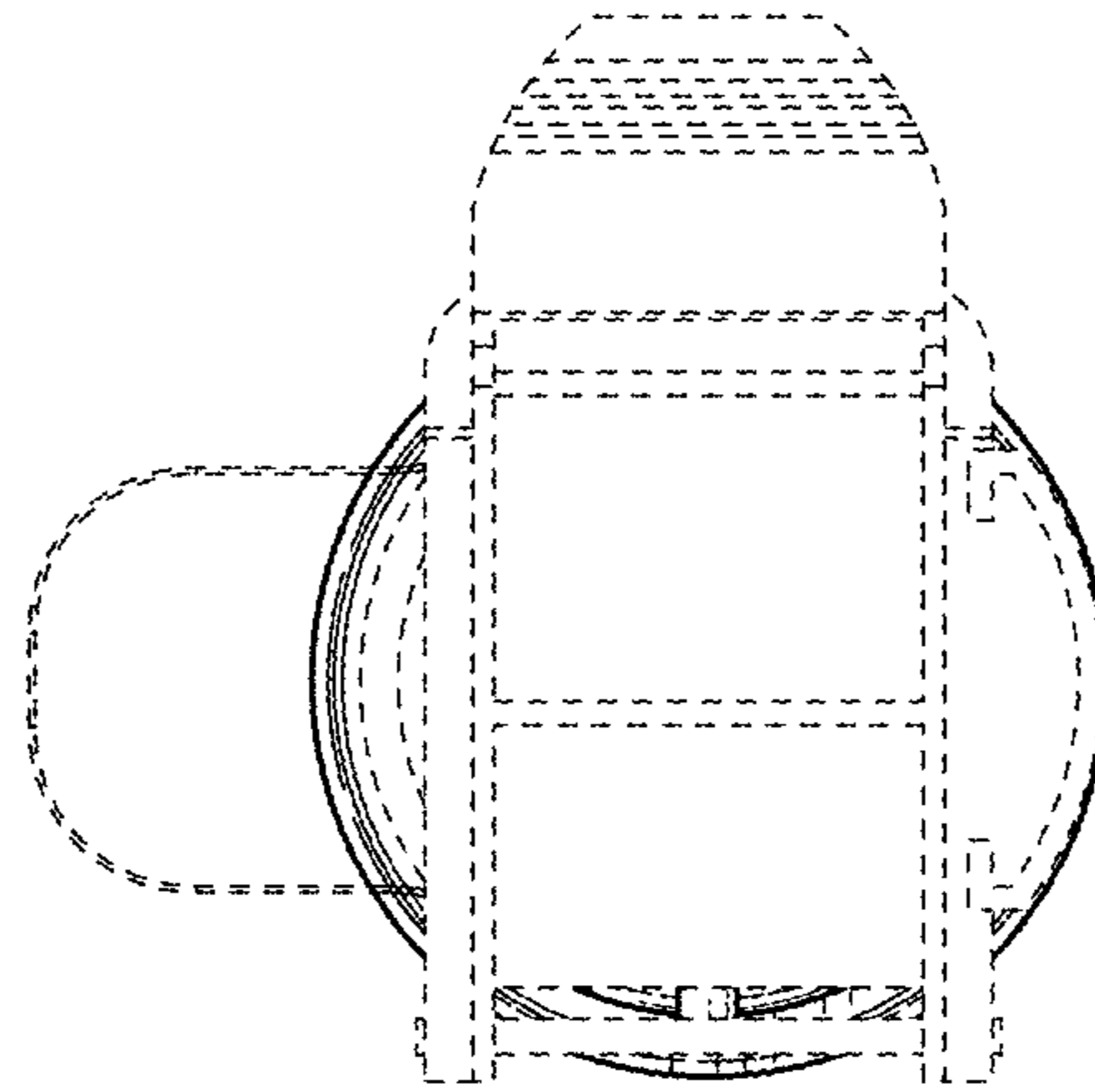


FIG. 4

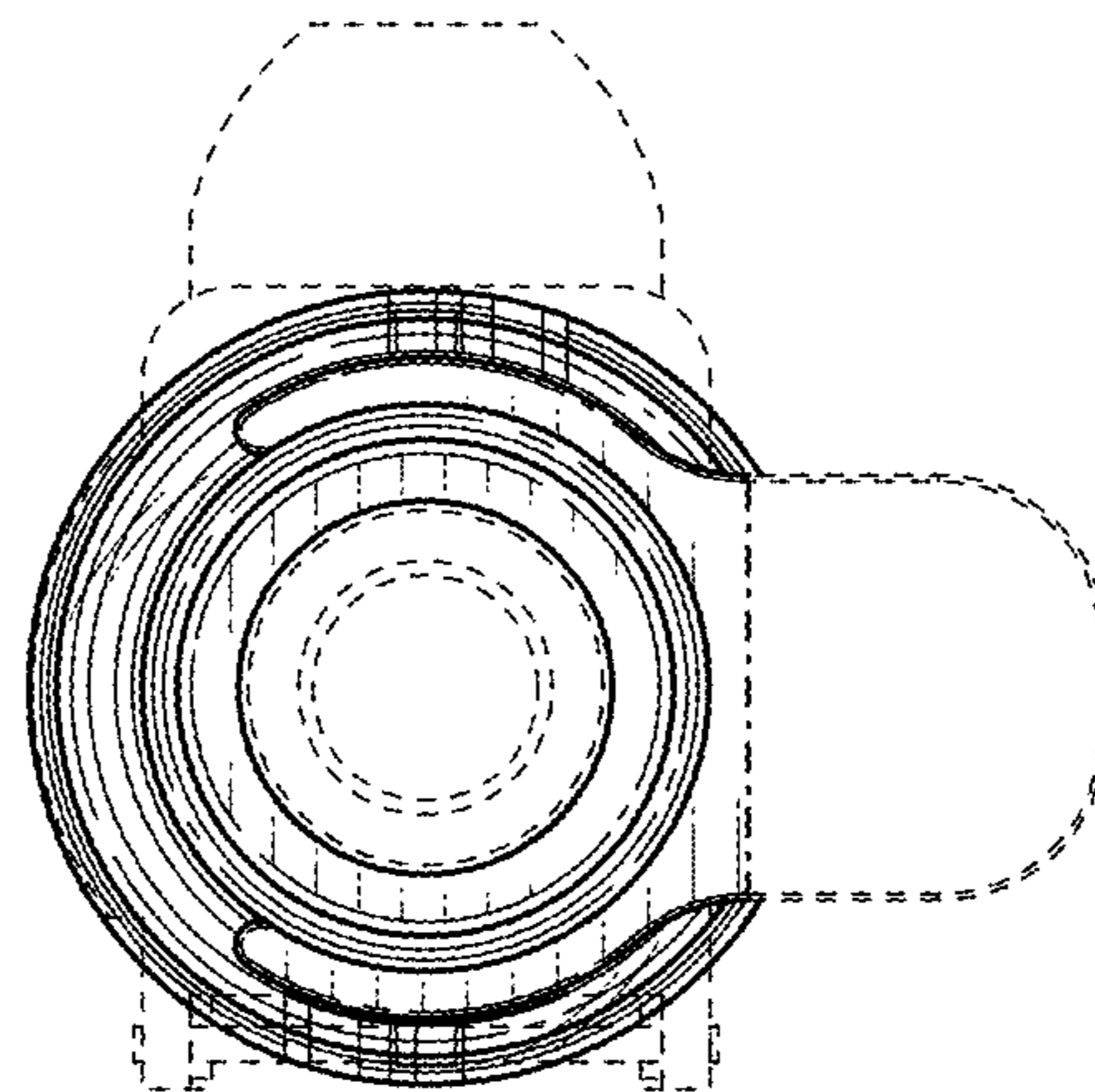


FIG. 5

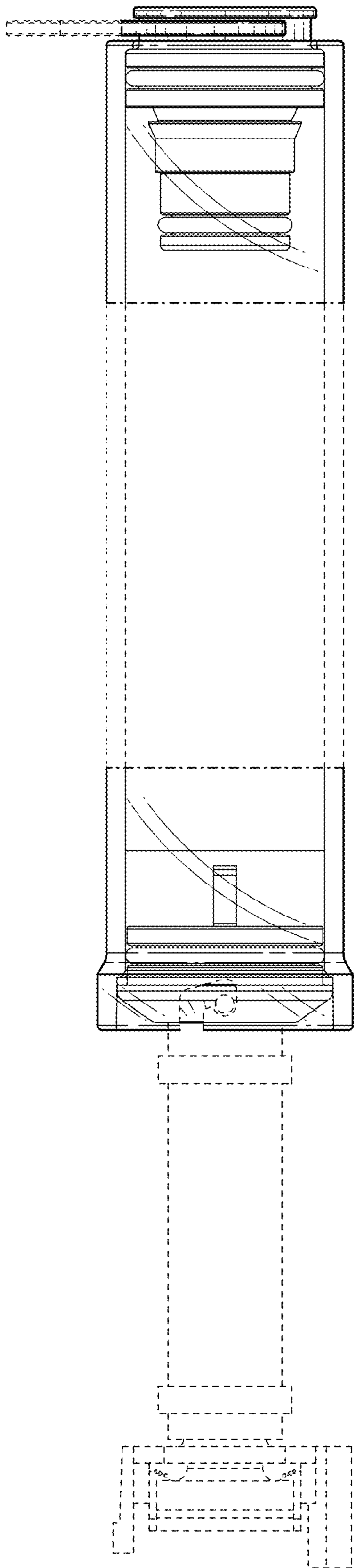


FIG. 6

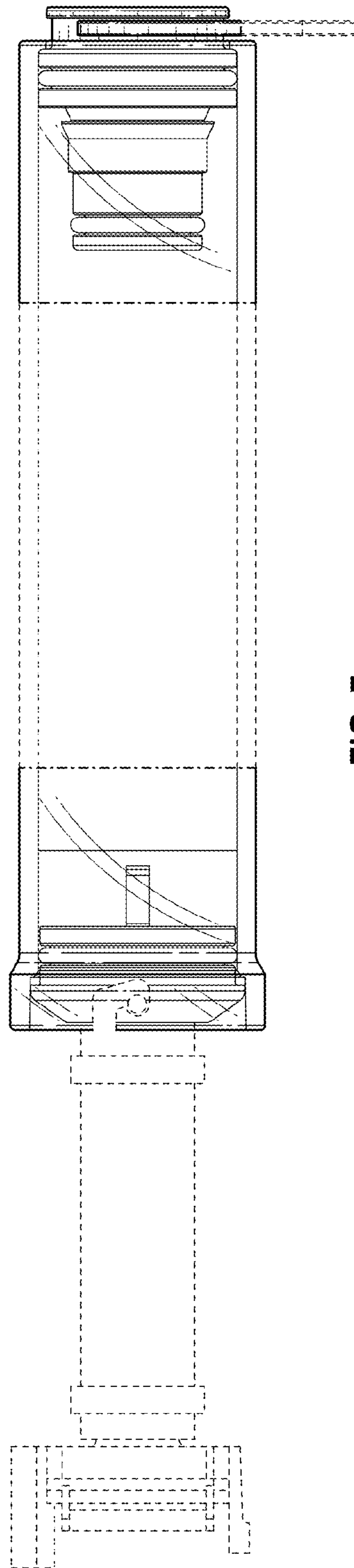


FIG. 7