



US00D877896S

(12) **United States Design Patent**
Ritter

(10) **Patent No.:** **US D877,896 S**
(45) **Date of Patent:** **** Mar. 10, 2020**

(54) **SYRINGE FOR MEDICAL USE**
(71) Applicant: **RITTER GMBH**, Schwabmünchen (DE)
(72) Inventor: **Frank Ritter**, Schwabmünchen (DE)
(73) Assignee: **RITTER GMBH**, Schwabmünchen (DE)
(**) Term: **15 Years**
(21) Appl. No.: **35/505,936**
(22) Filed: **Apr. 24, 2018**
(80) **Hague Agreement Data**
Int. Filing Date: **Apr. 24, 2018**
Int. Reg. No.: **DM/101948**
Int. Reg. Date: **Apr. 24, 2018**
Int. Reg. Pub. Date: **Oct. 26, 2018**

D384,162 S * 9/1997 Husar D24/114
D384,163 S * 9/1997 Husar D24/114
D387,426 S * 12/1997 Husar D24/112
D706,946 S * 6/2014 Lohn D24/222
D709,623 S * 7/2014 Lohn D24/222
D712,028 S * 8/2014 Takemoto D24/130
8,839,685 B2 * 9/2014 Lohn B01L 3/0234
422/501
8,920,364 B2 * 12/2014 Berman A61J 7/00
604/514
D733,909 S * 7/2015 Lohn D24/222
D733,910 S * 7/2015 Lohn D24/222
D740,436 S * 10/2015 Lohn D24/222
D740,437 S * 10/2015 Lohn D24/222
D745,824 S * 12/2015 Ritter D9/416
D782,619 S * 3/2017 Horstmann D23/259
D785,162 S * 4/2017 Swisher D24/114
D787,698 S * 5/2017 Staton D24/222
D805,651 S * 12/2017 Horstmann D24/222
D825,750 S * 8/2018 Feldmann D24/130

* cited by examiner

Primary Examiner — Eliza Z Bennett-Hattan
(74) *Attorney, Agent, or Firm* — Young & Thompson

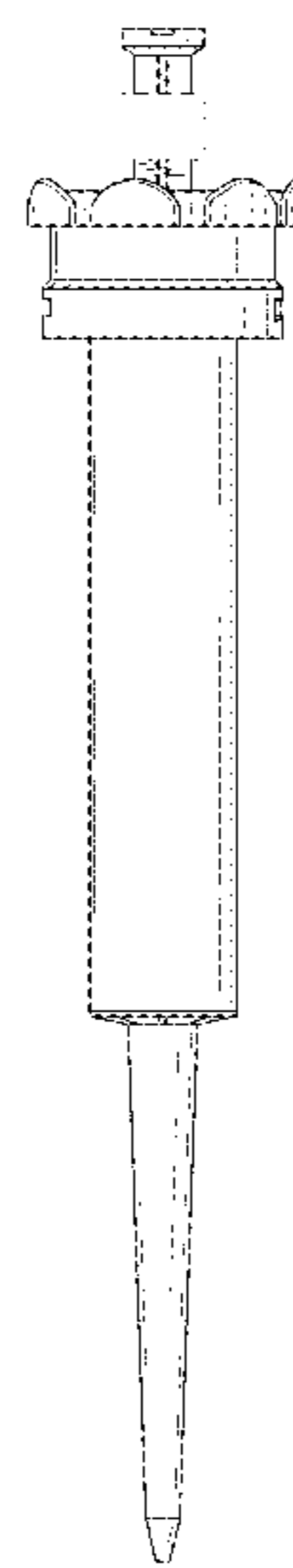
(30) **Foreign Application Priority Data**
Oct. 25, 2017 (EM) 004420453-0006
(51) **LOC (12) Cl.** **24-02**
(52) **U.S. Cl.**
USPC **D24/114**
(58) **Field of Classification Search**
USPC D24/114, 216, 186, 220, 224, 227, 232,
D24/234, 222, 108, 130
CPC .. A61M 5/3134; A61M 5/178; A61M 5/3129;
A61M 5/3245; A61M 5/28; A61M
5/31513; A61M 5/3293; A61M 5/34
See application file for complete search history.

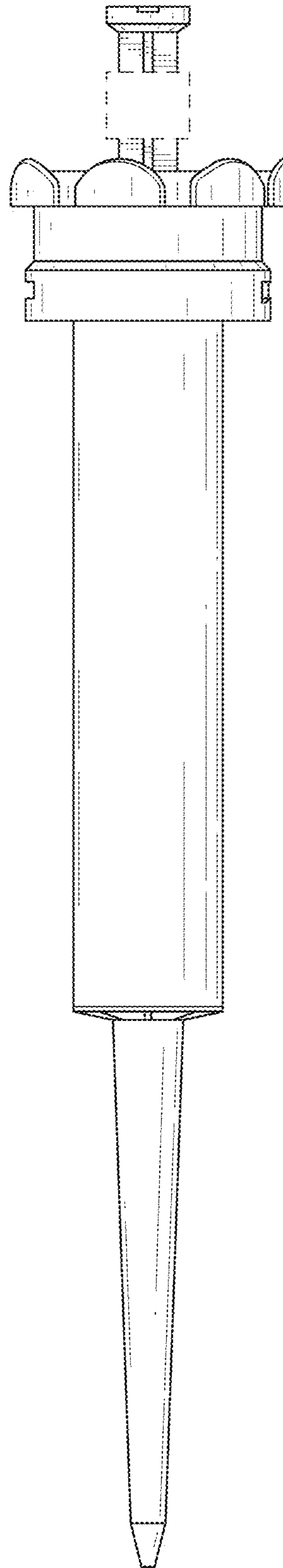
(56) **References Cited**
U.S. PATENT DOCUMENTS
D313,470 S * 1/1991 Talonn D24/114
D323,031 S * 1/1992 Ahlstrand D24/112
D344,355 S * 2/1994 Talonn D24/112

(57) **CLAIM**
The ornamental design for a syringe for medical use, as shown and described.

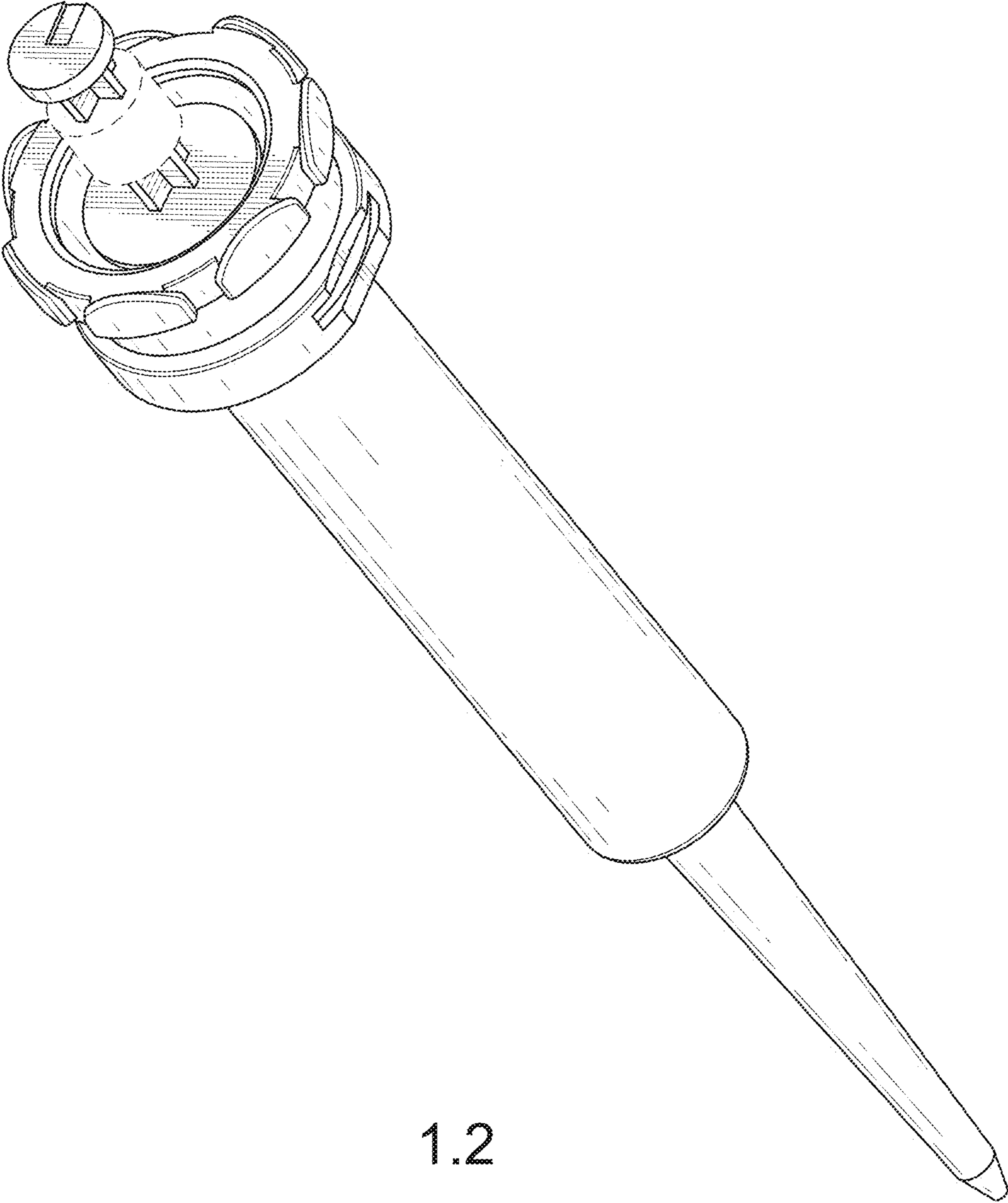
DESCRIPTION
1. Syringe for medical use
Fig. 1.1 is a front view of the claimed design of a syringe for medical use assembled of three components; fig. 1.2 is a perspective view of the claimed design of fig. 1.1; fig. 1.3 is another perspective view of the claimed design of fig. 1.1; fig. 1.4 is a perspective view of a first component of the disassembled syringe for medical use according to the design of fig. 1.1; fig. 1.5 is a perspective view of a second component of the disassembled syringe for medical use according to the design of fig. 1.1.
The portions of the syringe for medical use shown in broken lines form no part of the claim.

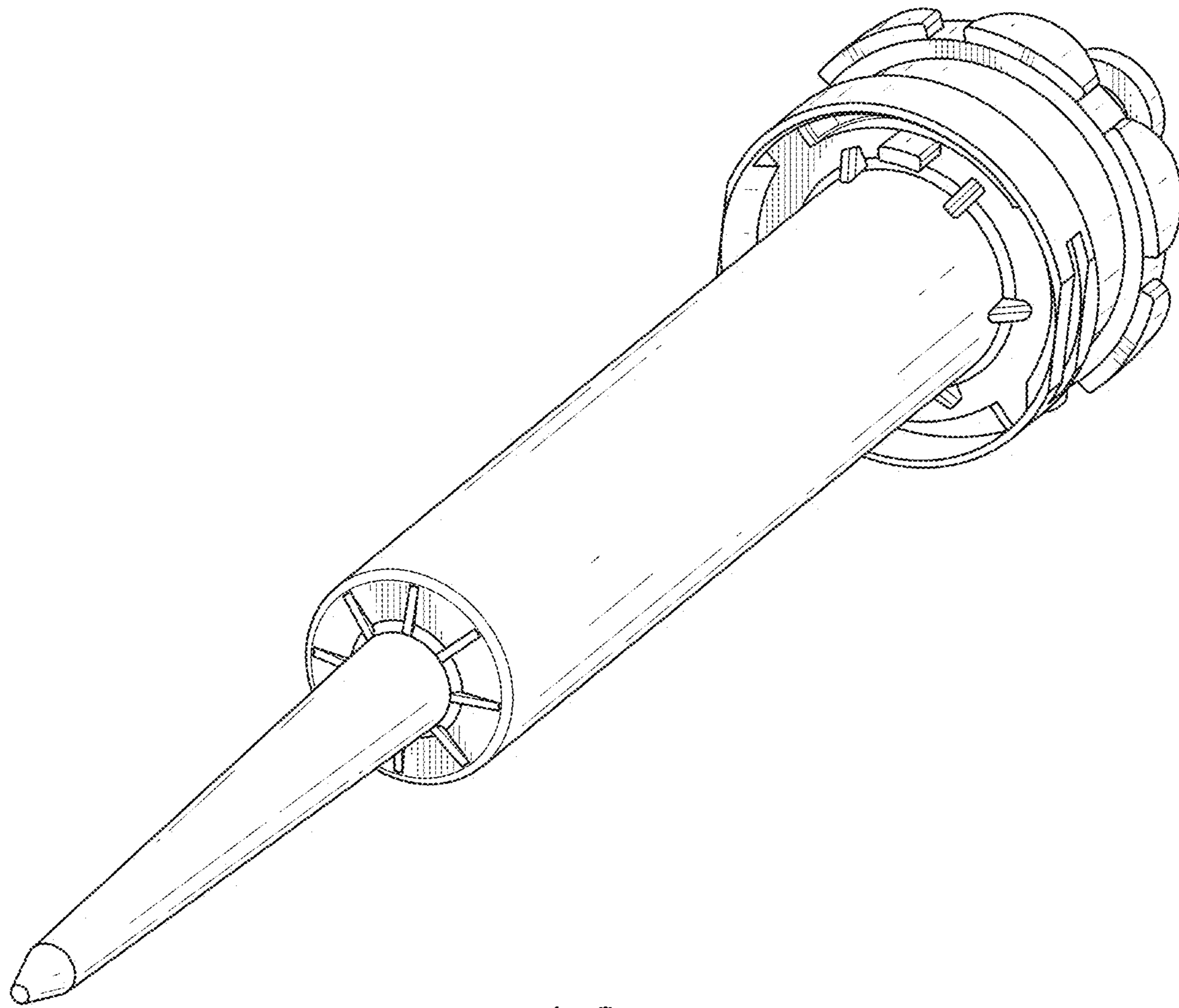
1 Claim, 5 Drawing Sheets



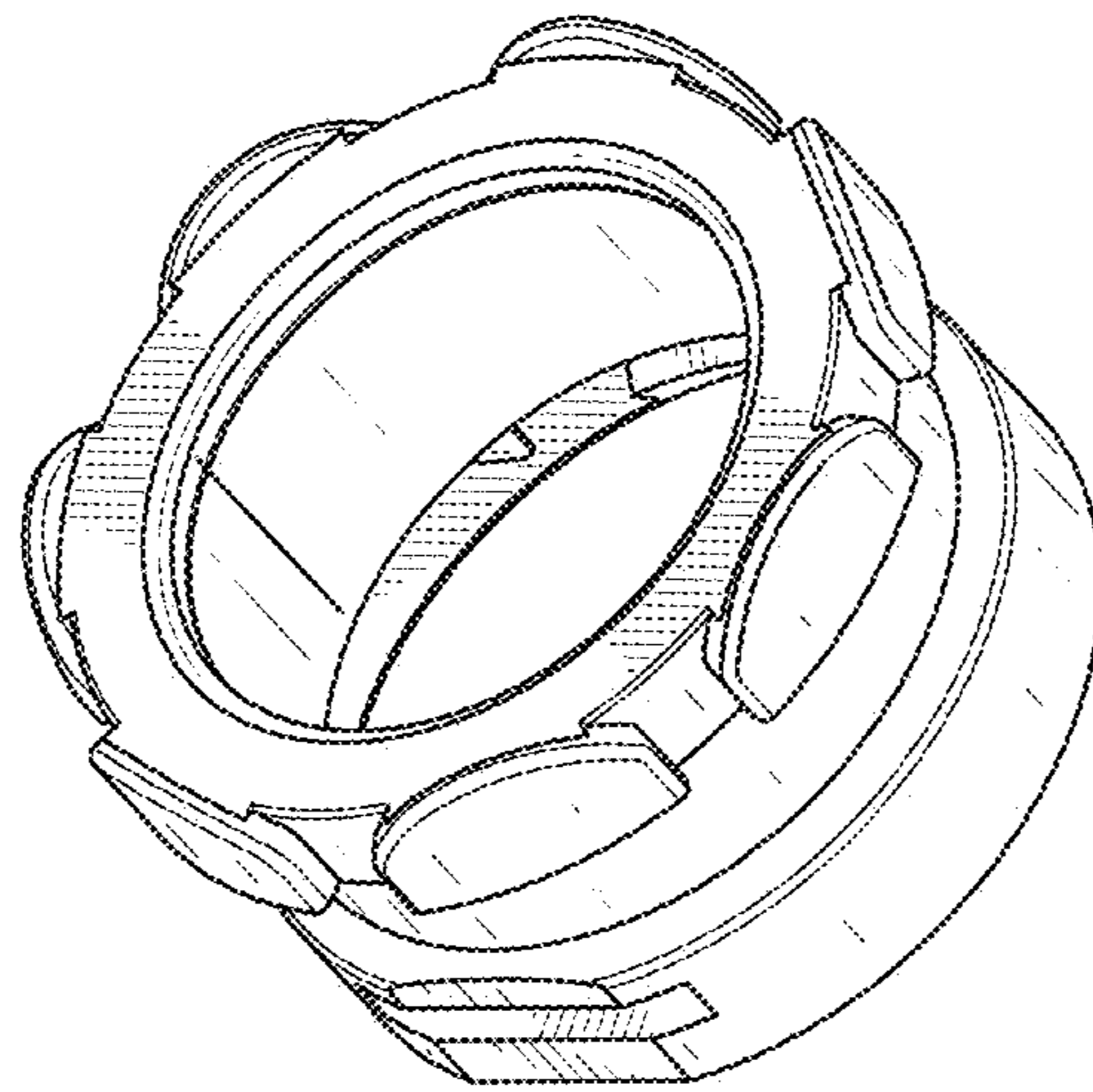


1.1

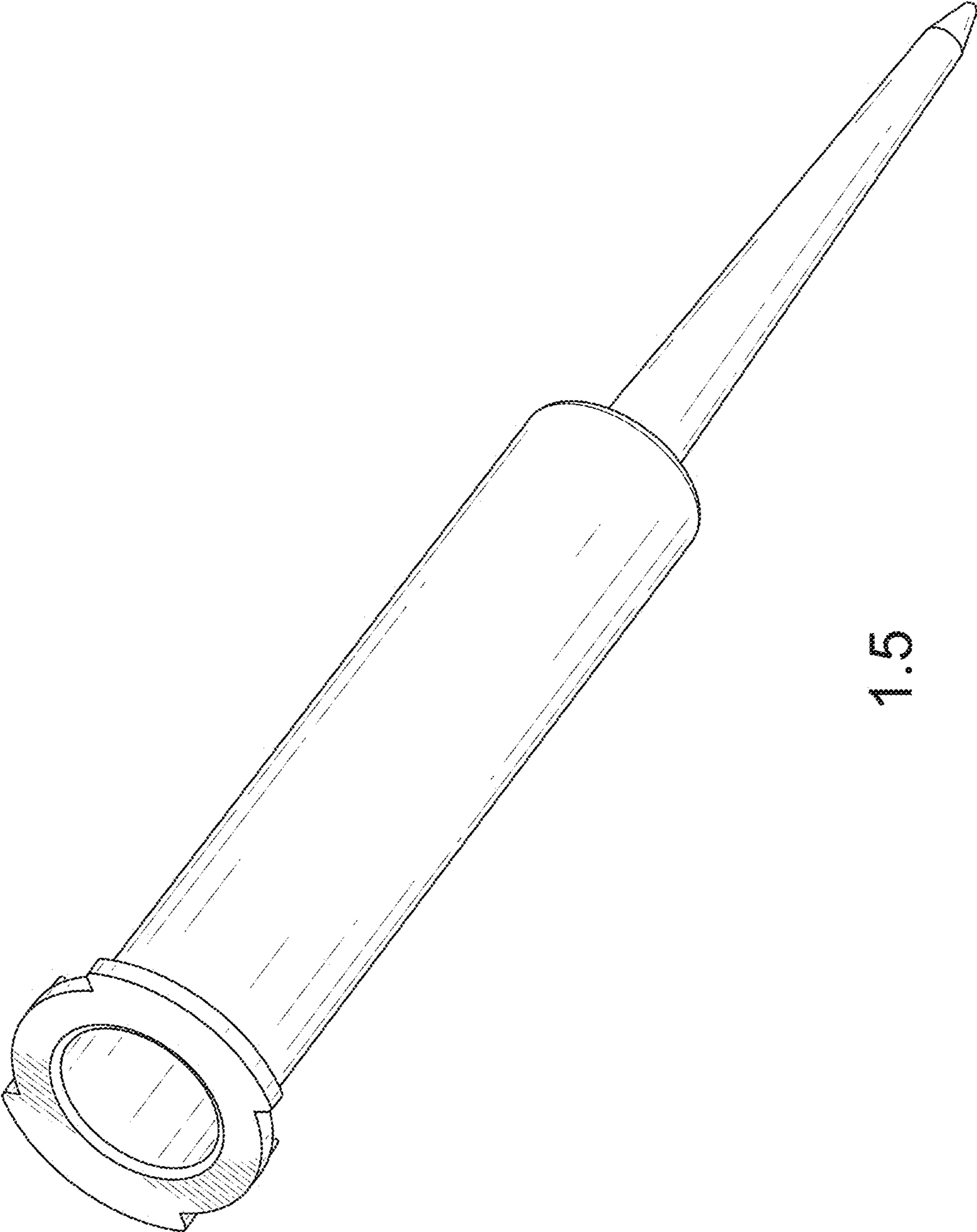




1.3



1.4



1.5