



US00D877895S

(12) **United States Design Patent** (10) **Patent No.:** **US D877,895 S**  
**Sanders et al.** (45) **Date of Patent:** **\*\* \*Mar. 10, 2020**

- (54) **INJECTION DEVICE**
- (71) Applicant: **SANOFI-AVENTIS DEUTSCHLAND GMBH**, Frankfurt am Main (DE)
- (72) Inventors: **David Sanders**, Warwick (GB); **Houda Mihad**, Frankfurt am Main (DE); **Michael Schabbach**, Frankfurt am Main (DE); **Timothy Claughton**, Congleton (GB)
- (73) Assignee: **Sanofi-Aventis Deutschland GmbH**, Frankfurt am Main (DE)
- (\*) Notice: This patent is subject to a terminal disclaimer.
- (\*\*) Term: **15 Years**
- (21) Appl. No.: **29/619,120**
- (22) Filed: **Sep. 27, 2017**

CPC ..... A61M 5/3156; A61M 5/31591; A61M 5/3155; A61M 5/3157; A61M 5/24; A61M 5/31501; A61M 5/31551; A61M 5/31585; A61M 2005/2407; A61M 2005/2492; A61M 2205/581; A61M 2205/582

See application file for complete search history.

(56) **References Cited**

U.S. PATENT DOCUMENTS

- 5,645,534 A \* 7/1997 Chanoch ..... A61M 5/31535 604/189
- 5,921,966 A \* 7/1999 Bendek ..... A61M 5/24 604/207
- 6,001,082 A \* 12/1999 Dair ..... A61M 5/31525 604/187
- D479,603 S \* 9/2003 Tyce ..... D19/164
- D501,253 S \* 1/2005 Bainton ..... D19/164
- D503,797 S \* 4/2005 Tyce ..... D24/114
- D687,543 S \* 8/2013 Pala ..... D24/113
- D688,791 S \* 8/2013 Guarraia ..... D24/113
- D696,773 S \* 12/2013 Schneider ..... D24/113

(Continued)

**Related U.S. Application Data**

- (62) Division of application No. 29/526,682, filed on May 12, 2015, now Pat. No. Des. 800,898, which is a division of application No. 29/441,434, filed on Jan. 4, 2013, now Pat. No. Des. 749,719.

**Foreign Application Priority Data**

- Jul. 5, 2012 (EP) ..... 002 068 791
- (51) **LOC (12) Cl.** ..... **24-02**
- (52) **U.S. Cl.**  
USPC ..... **D24/114**
- (58) **Field of Classification Search**  
USPC ..... D24/112-114, 127-131, 133, 186; 606/181, 185; 604/264, 272, 115, 232, 604/187, 158, 164.08, 192, 263, 163, 181, 604/184, 198, 227; 600/101, 139, 143; 128/200.24, 207.14, 207.15; D19/115-123, 177

*Primary Examiner* — Nathan M Johnston

(74) *Attorney, Agent, or Firm* — McDonnell Boehnen Hulbert & Berghoff LLP

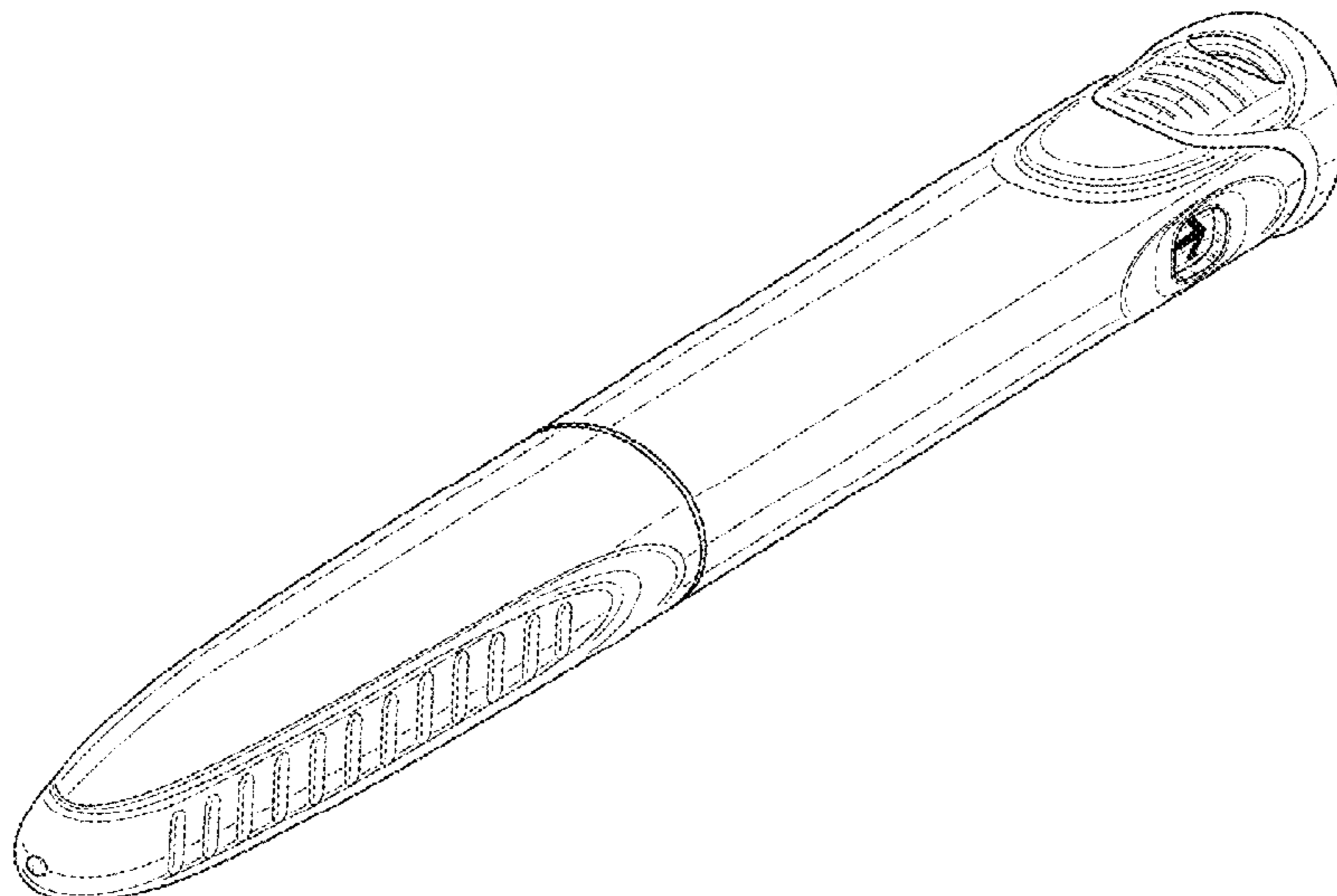
(57) **CLAIM**

The ornamental design for an injection device, as shown and described.

**DESCRIPTION**

FIG. 1 is a perspective view of an injection device, showing our new design;  
FIG. 2 is a front elevation view thereof;  
FIG. 3 is a rear elevation view thereof;  
FIG. 4 is a side elevation view thereof;  
FIG. 5 is an opposite side elevation view thereof;  
FIG. 6 is a top plan view thereof; and,  
FIG. 7 is a bottom plan view thereof.

**1 Claim, 6 Drawing Sheets**



(56)

**References Cited**

U.S. PATENT DOCUMENTS

D703,314	S *	4/2014	Schneider	.....	D24/113
D714,932	S *	10/2014	Hall	.....	D24/112
D717,940	S *	11/2014	Magome	.....	D24/113
D722,158	S *	2/2015	Magome	.....	D24/113
9,005,171	B2 *	4/2015	Jones	.....	A61M 5/24 604/189
9,095,658	B2 *	8/2015	Wieselblad	.....	A61M 5/31551
9,101,722	B2 *	8/2015	Moller	.....	A61M 5/31536
9,155,842	B2 *	10/2015	Matthias	.....	A61M 5/31525
D749,719	S *	2/2016	Sanders	.....	D24/114
2011/0071471	A1 *	3/2011	Dibiasi	.....	A61M 5/3202 604/111
2012/0041417	A1 *	2/2012	Searle	.....	A61M 5/002 604/506
2013/0023830	A1 *	1/2013	Bode	.....	A61M 5/24 604/192
2014/0012205	A1 *	1/2014	Jugl	.....	A61M 5/24 604/192
2015/0032059	A1 *	1/2015	Allerdings	.....	G16H 40/63 604/189
2015/0038916	A1 *	2/2015	Moller	.....	A61M 5/31525 604/211
2015/0057619	A1 *	2/2015	Osman	.....	A61M 5/24 604/189
2015/0202377	A1 *	7/2015	Haupt	.....	A61M 5/24 604/207

\* cited by examiner

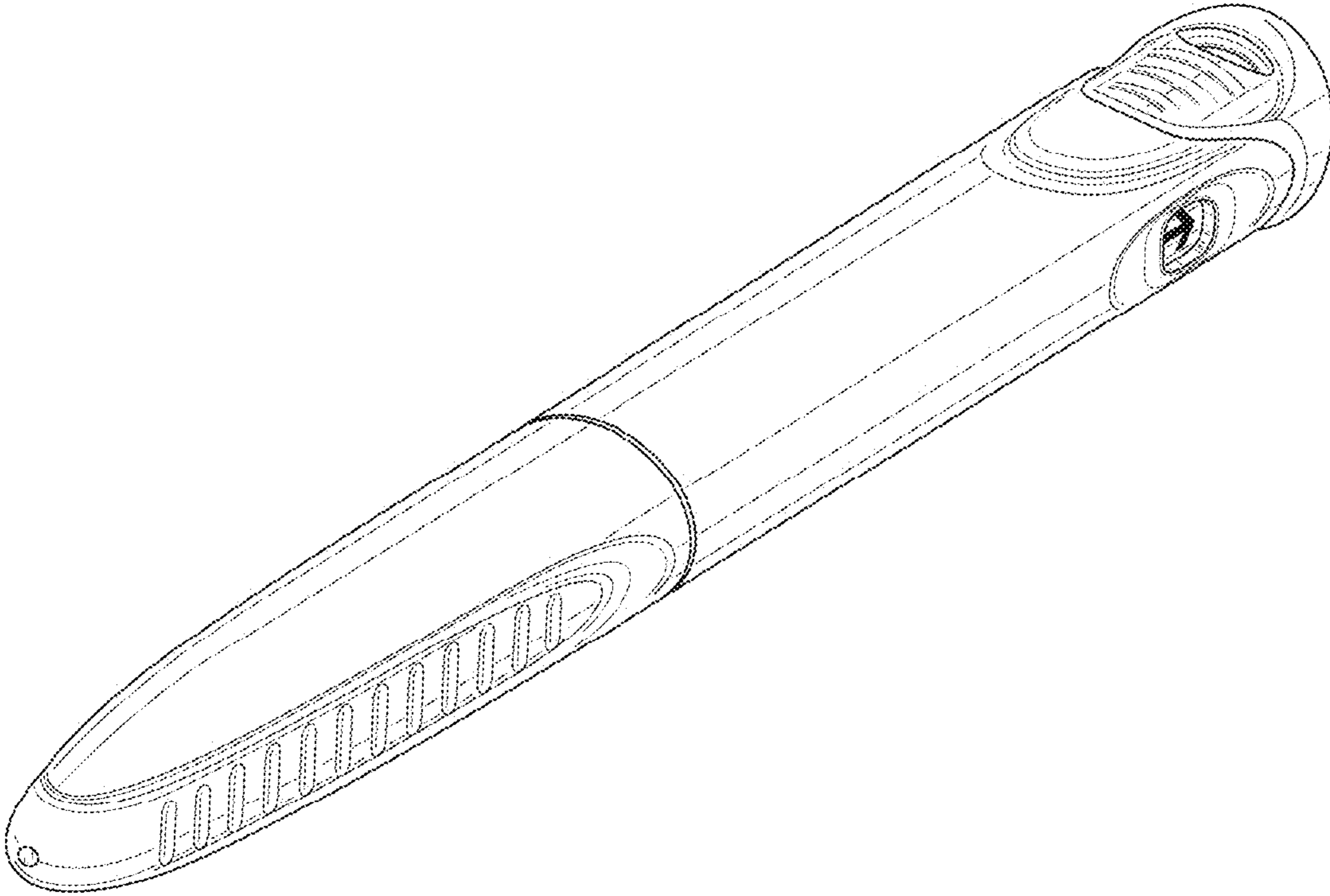


FIG. 1

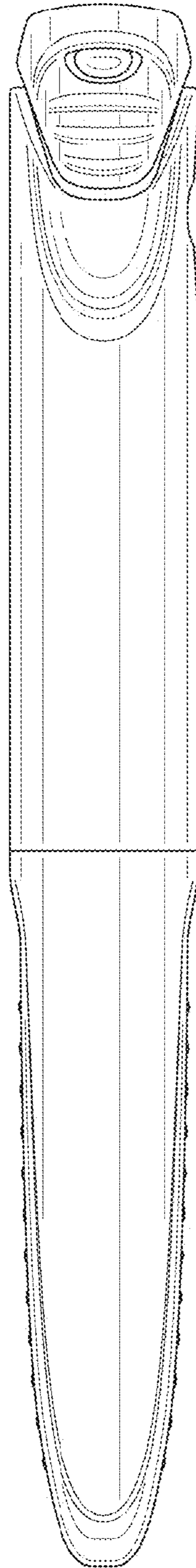


FIG. 2

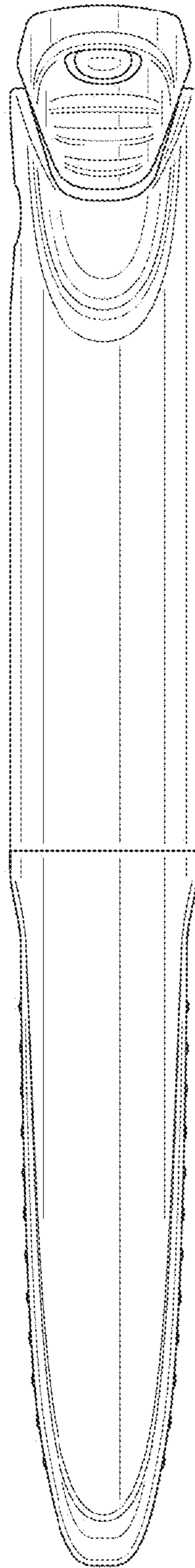


FIG. 3

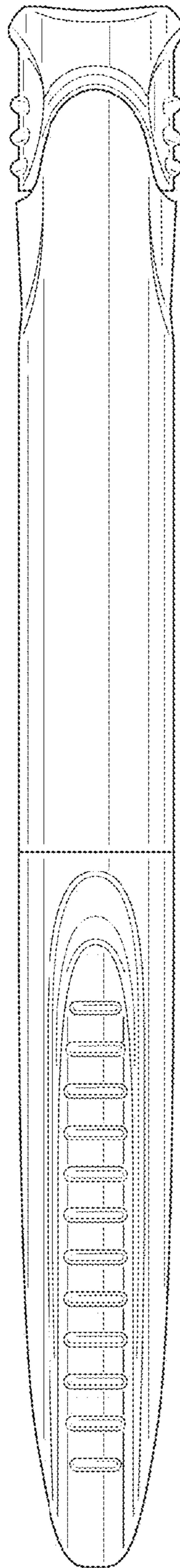


FIG. 4

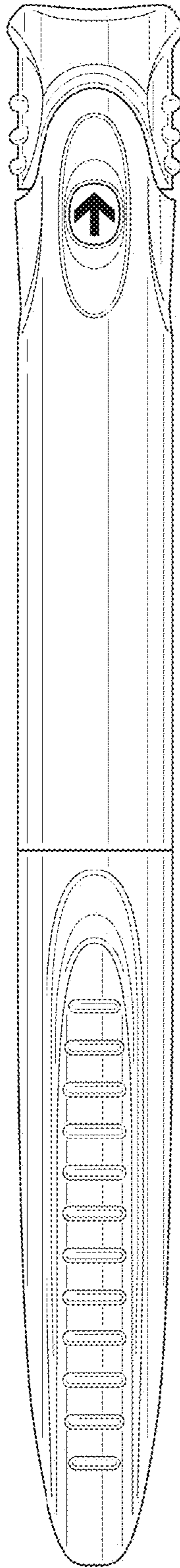


FIG. 5

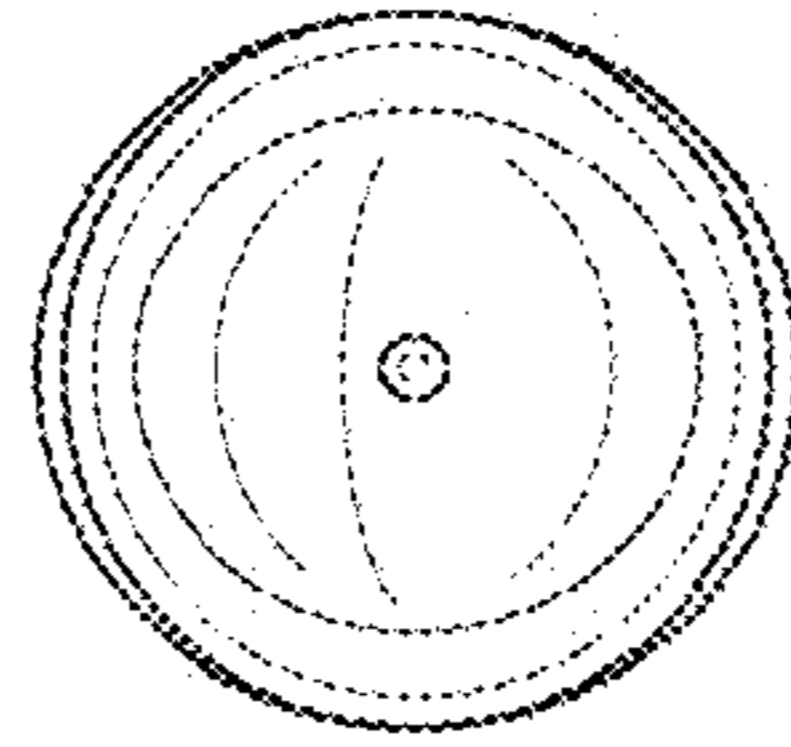


FIG. 6

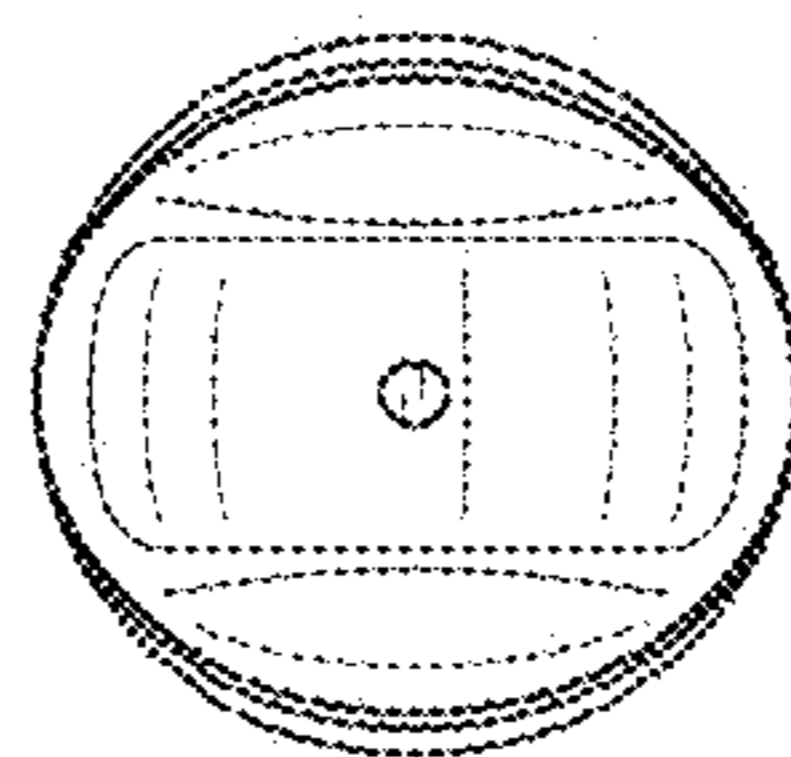


FIG. 7