



US00D877891S

(12) **United States Design Patent** (10) **Patent No.:** **US D877,891 S**
Xie et al. (45) **Date of Patent:** **** Mar. 10, 2020**

(54) **RECONSTITUTION AND DELIVERY DEVICE**

(71) Applicants: **Guangzhou Bioseal Biotech Co., Ltd.**,
Guangzhou Science (CN); **Ethicon, Inc.**,
Somerville, NJ (US)

(72) Inventors: **Shiwei Xie**, Foshan (CN); **Michael J. Trezza, II**,
Long Valley, NJ (US); **John Goodman**, Ann Arbor, MI (US); **Jared Schneider**,
Raritan, NJ (US)

(73) Assignees: **Guangzhou Bioseal Biotech Co., Ltd.**,
Guangzhou Science City (CN); **Ethicon, Inc.**,
Somerville, NJ (US)

(**) Term: **15 Years**

(21) Appl. No.: **29/644,657**

(22) Filed: **Jun. 6, 2018**

Related U.S. Application Data

(63) Continuation of application No. 29/549,431, filed on
Dec. 22, 2015, now abandoned.

(51) **LOC (12) Cl.** **24-02**

(52) **U.S. Cl.**

USPC **D24/112**

(58) **Field of Classification Search**

USPC D24/112–114, 133, 186, 104, 127, 130;
606/181, 185; 604/264, 272, 115, 232,
604/187, 158, 164.08, 192, 263, 163, 181,
604/184, 198, 227

CPC A61J 1/2096; A61J 1/201; A61M 5/2448
See application file for complete search history.

(56) **References Cited**

U.S. PATENT DOCUMENTS

4,735,616 A * 4/1988 Eibl A61B 17/00491
604/191
4,872,866 A * 10/1989 Davis A61M 1/0062
604/227

5,116,315 A 5/1992 Capozzi et al.
5,290,259 A 3/1994 Fischer
5,376,079 A 12/1994 Holm
5,456,388 A 10/1995 Honstein et al.
5,582,596 A * 12/1996 Fukunaga A61B 17/00491
222/137

5,605,255 A 2/1997 Reidel et al.
5,676,280 A * 10/1997 Robinson B05C 17/00516
222/137

6,063,055 A 5/2000 Epstein et al.
6,116,900 A 9/2000 Ostler
6,132,396 A 10/2000 Antanavich et al.
6,290,101 B1 9/2001 Chung

(Continued)

OTHER PUBLICATIONS

International search report and written opinion dated Sep. 5, 2018,
for PCT/IB2018/054164.

Primary Examiner — Nathan M Johnston

(74) *Attorney, Agent, or Firm* — David R. Crichton

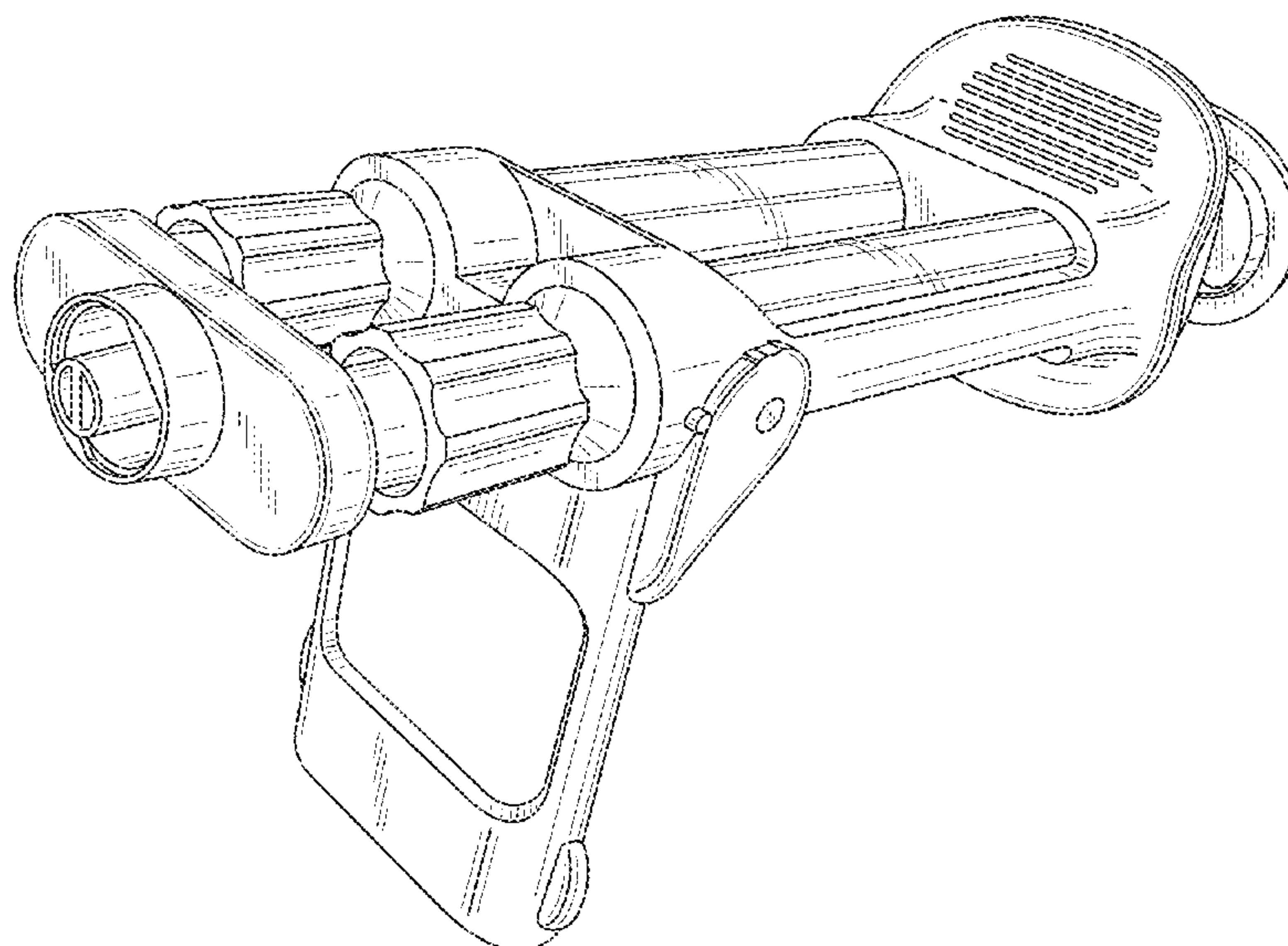
(57) **CLAIM**

The ornamental design for a reconstitution and delivery
device, as shown and described.

DESCRIPTION

FIG. 1 is a perspective view of a reconstitution and delivery
device, showing our new design;
FIG. 2 is a top plan view thereof;
FIG. 3 is a side elevation view thereof;
FIG. 4 is a bottom plan view thereof;
FIG. 5 is a front elevation view thereof;
FIG. 6 is a rear elevation view thereof; and,
FIG. 7 is a perspective view of the reconstitution device
shown in FIG. 1 in a standing position.
The broken lines show portions of the design that form no
part of the claimed design

1 Claim, 6 Drawing Sheets



(56)

References Cited

U.S. PATENT DOCUMENTS

| | | | | | | | |
|----------------|---------|-------------------|-------|---------------|-------------------|---------|----------------------------|
| 6,454,739 B1 * | 9/2002 | Chang | | A61B 17/00491 | 9,174,001 B2 | 11/2015 | Kirk et al. |
| | | | | 239/399 | 9,220,846 B2 | 12/2015 | Jones et al. |
| 6,585,696 B2 * | 7/2003 | Petersen | | A61B 17/00491 | 9,333,303 B2 | 5/2016 | Leak et al. |
| | | | | 222/391 | 9,402,787 B2 * | 8/2016 | Brem |
| 6,610,033 B1 | 8/2003 | Melanson et al. | | | 9,468,725 B2 * | 10/2016 | West |
| 6,716,195 B2 | 4/2004 | Nolan, Jr. et al. | | | 9,586,005 B2 * | 3/2017 | Steffen |
| 6,732,887 B2 * | 5/2004 | Bills | | B05C 17/00506 | D791,275 S * | 7/2017 | Muller |
| | | | | 222/137 | 10,166,514 B2 * | 1/2019 | Delmotte |
| 6,840,921 B1 * | 1/2005 | Haider | | A61M 5/19 | 10,441,959 B2 * | 10/2019 | Sherman |
| | | | | 604/191 | 2003/0120212 A1 | 6/2003 | Dedig et al. |
| 7,635,343 B2 | 12/2009 | McIntosh et al. | | | 2003/0233067 A1 * | 12/2003 | McIntosh |
| 7,785,312 B2 * | 8/2010 | Thorne, Jr. | | A61J 1/2096 | | | 604/82 |
| | | | | 604/500 | 2004/0092864 A1 * | 5/2004 | Boehm, Jr. |
| D653,325 S | 1/2012 | Cheesman et al. | | | | | 604/82 |
| 8,240,511 B2 | 8/2012 | Greter et al. | | | 2006/0196885 A1 | 9/2006 | Leach et al. |
| 8,323,262 B2 * | 12/2012 | D'Alessio | | A61B 17/00491 | 2007/0005020 A1 * | 1/2007 | Laveault |
| | | | | 604/520 | | | A61M 5/19 |
| 8,417,320 B2 | 4/2013 | Martz | | | 2009/0076459 A1 * | 3/2009 | Goldberg |
| 8,419,675 B2 * | 4/2013 | Hayakawa | | A61B 17/3474 | | | 604/191 |
| | | | | 604/24 | 2013/0245566 A1 * | 9/2013 | De Sausmarez Lintell |
| 8,419,722 B2 | 4/2013 | Richards et al. | | | | | A61M 5/19 |
| 8,506,547 B2 | 8/2013 | Sharratt et al. | | | 2013/0312868 A1 | 11/2013 | Ilan et al. |
| 8,602,774 B2 * | 12/2013 | Wasylycha | | A61C 3/005 | 2013/0325059 A1 | 12/2013 | O'Neill |
| | | | | 433/89 | 2013/0331658 A1 | 12/2013 | Kai et al. |
| 8,628,495 B2 * | 1/2014 | Horton | | A61M 5/1452 | 2014/0074154 A1 | 3/2014 | Goodman et al. |
| | | | | 604/151 | 2014/0114276 A1 | 4/2014 | Schweiss et al. |
| 8,974,424 B2 | 3/2015 | Kaisha | | | 2016/0113639 A1 * | 4/2016 | Yokoyama |
| 9,131,930 B2 | 9/2015 | Greter | | | | | A61M 5/19 |
| | | | | | 2017/0202743 A1 | 7/2017 | Wu |
| | | | | | 2017/0281870 A1 * | 10/2017 | Kai |
| | | | | | | | A61B 17/00491 |

* cited by examiner

FIG. 1

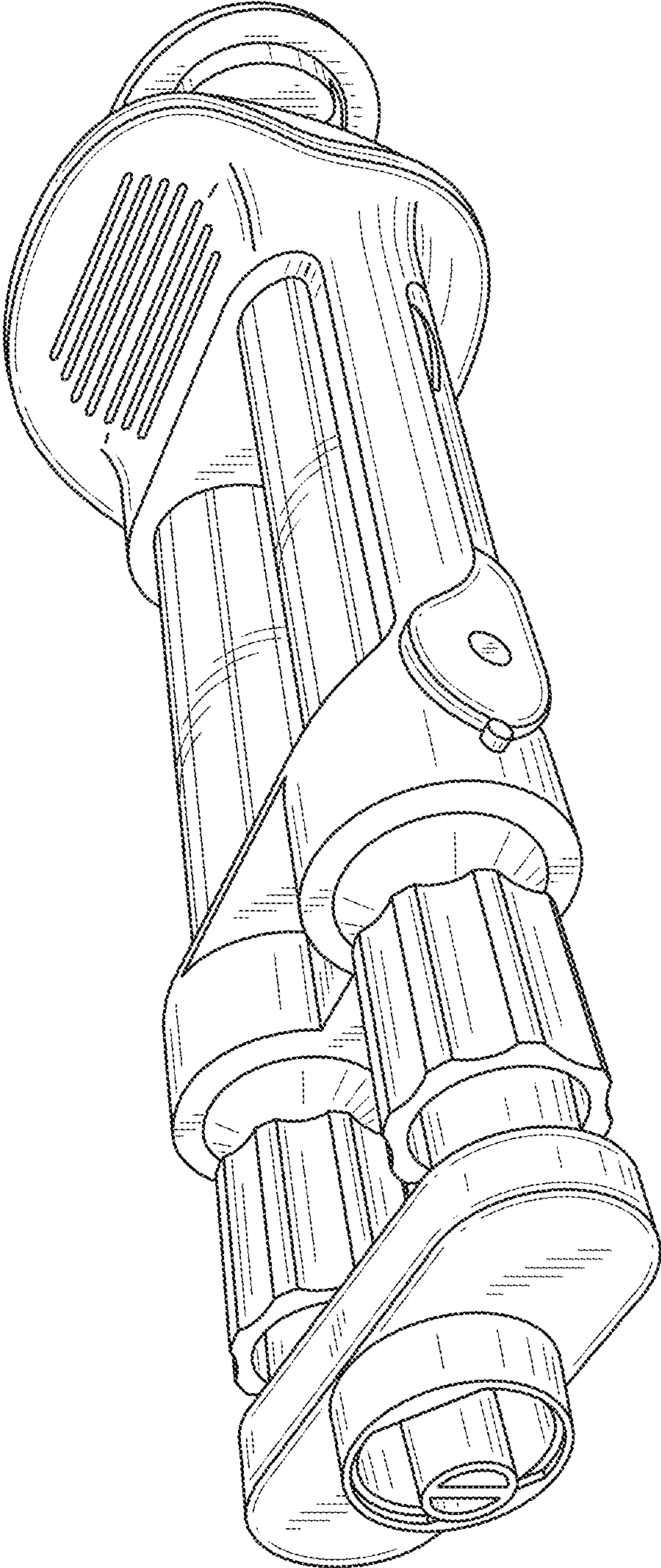
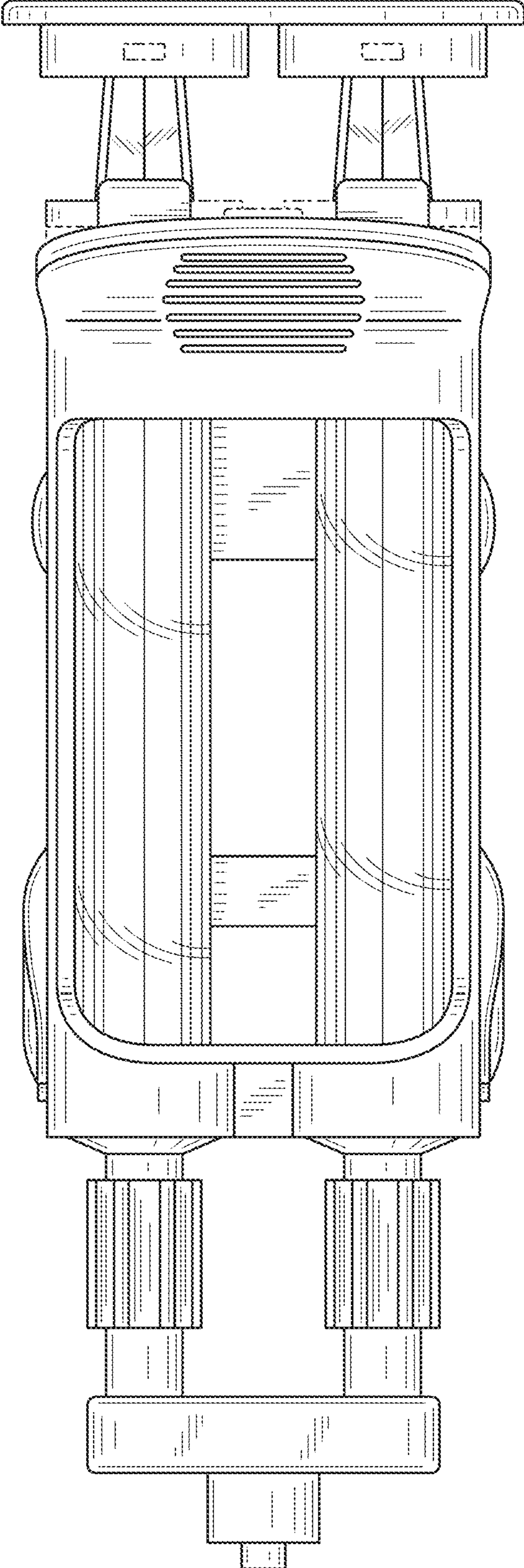


FIG. 2



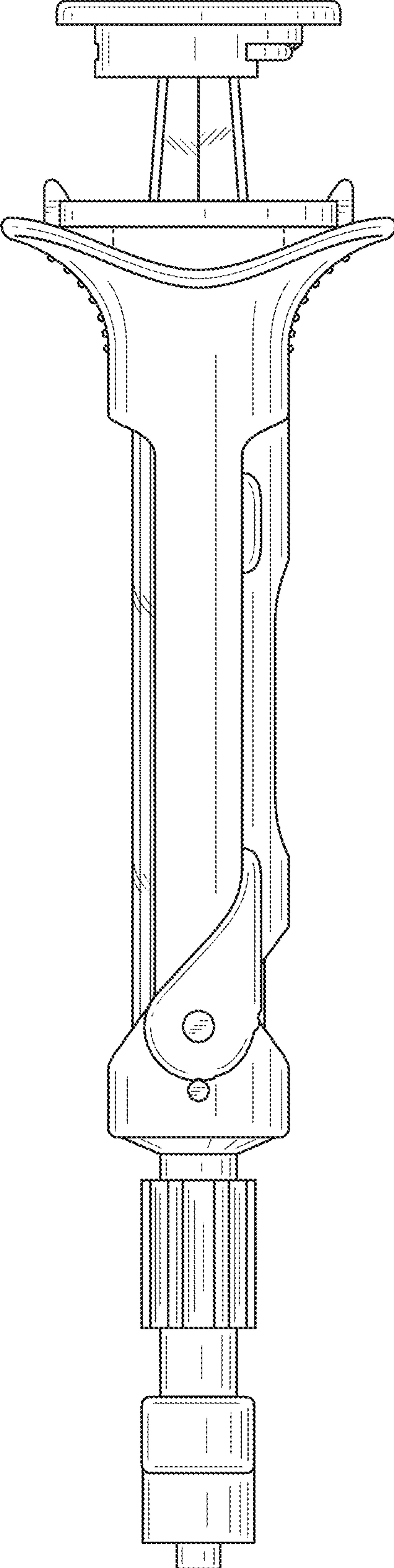


FIG. 3

FIG. 4

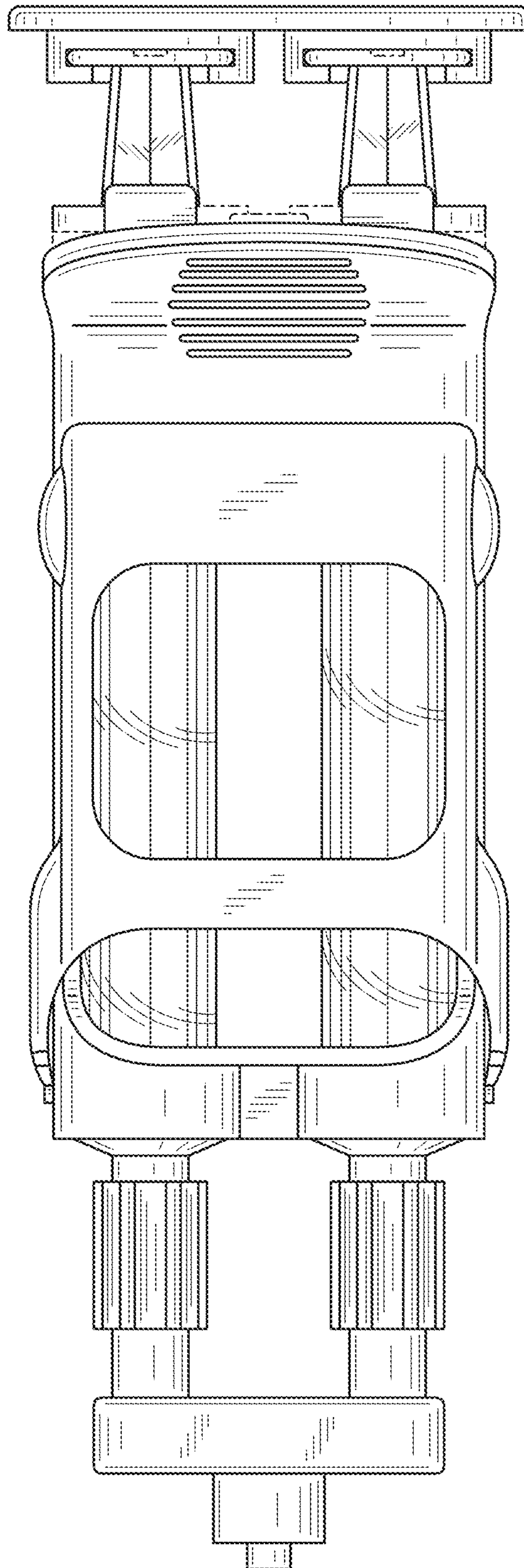


FIG. 5

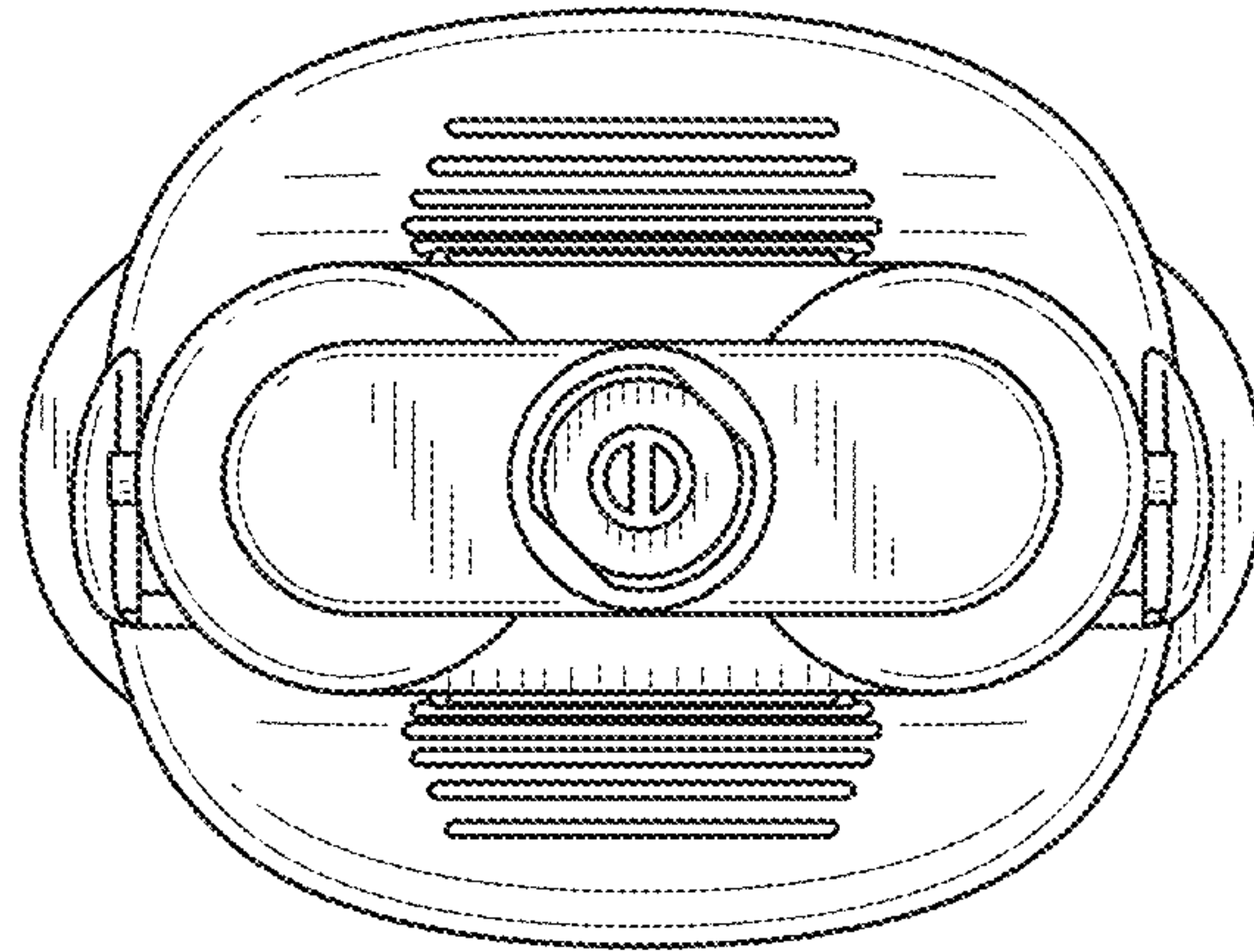


FIG. 6

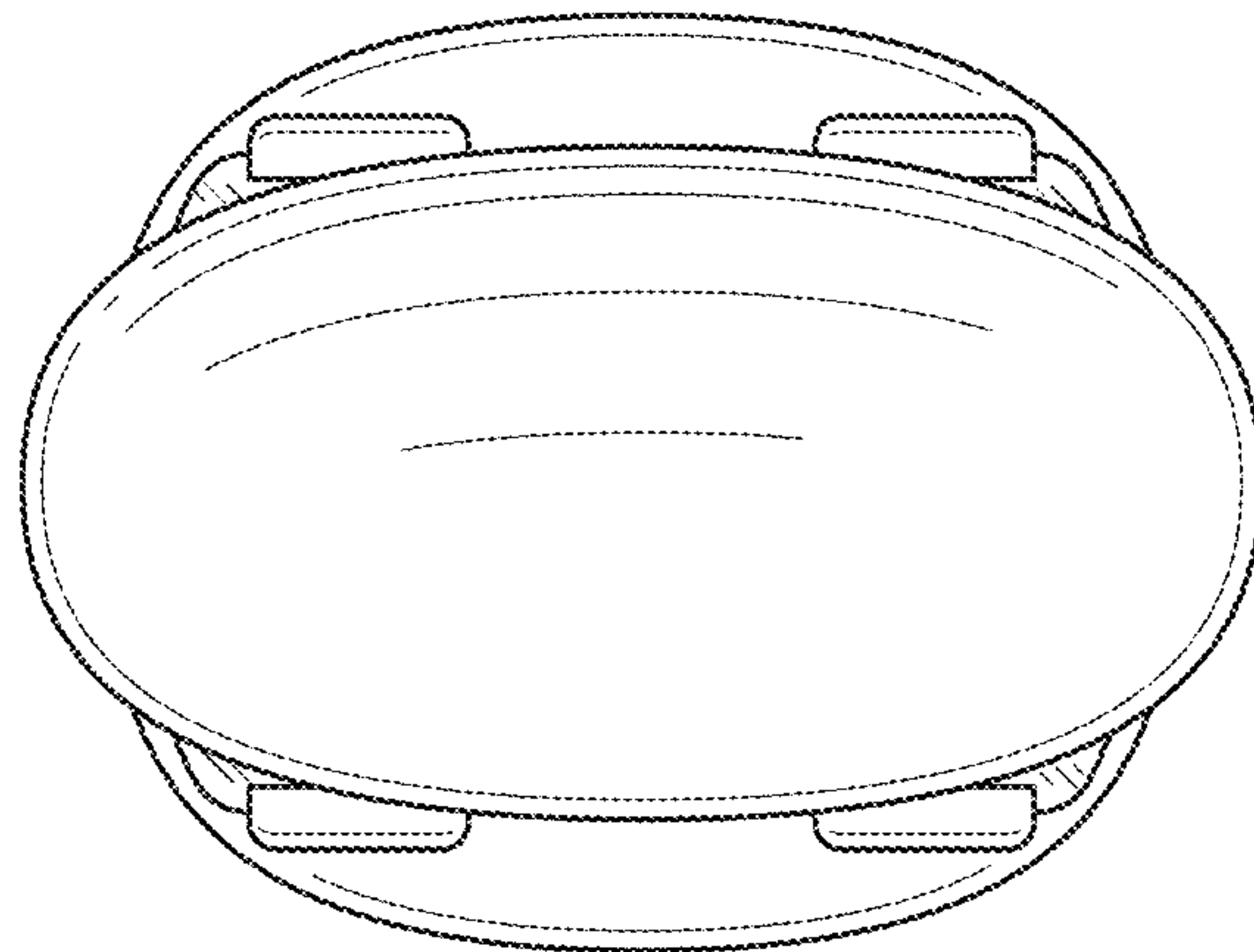


FIG. 7

