



US00D877890S

(12) **United States Design Patent**
Xie et al.

(10) **Patent No.:** **US D877,890 S**
(45) **Date of Patent:** **** Mar. 10, 2020**

- (54) **RECONSTITUTION DEVICE**
- (71) Applicants: **Guangzhou Bioseal Biotech Co., Ltd.**,
Guangzhou Science (CN); **Ethicon, Inc.**,
Somerville, NJ (US)
- (72) Inventors: **Shiwei Xie**, Foshan (CN); **Michael J. Trezza, II**,
Long Valley, NJ (US); **John Goodman**, Ann Arbor, MI (US); **Jared Schneider**,
Raritan, NJ (US)
- (73) Assignees: **Guangzhou Bioseal Biotech Co., Ltd.**,
Guangzhou Science (CN); **Ethicon, Inc.**,
Somerville, NJ (US)

5,116,315 A	5/1992	Capozzi et al.
5,290,259 A	3/1994	Fischer
5,376,079 A	12/1994	Holm
5,456,388 A	10/1995	Honstein et al.
5,582,596 A *	12/1996	Fukunaga A61B 17/00491 222/137
5,605,255 A	2/1997	Reidel et al.
5,676,280 A *	10/1997	Robinson B05C 17/00516 222/137
6,063,055 A	5/2000	Epstein et al.
6,116,900 A	9/2000	Ostler
6,132,396 A	10/2000	Antanavich et al.
6,290,101 B1	9/2001	Chung
6,454,739 B1 *	9/2002	Chang A61B 17/00491 239/399

(Continued)

- (**) Term: **15 Years**
- (21) Appl. No.: **29/644,637**
- (22) Filed: **Jun. 6, 2018**

Related U.S. Application Data

- (63) Continuation of application No. 29/549,428, filed on Dec. 22, 2015, now abandoned.
- (51) **LOC (12) Cl.** **24-02**
- (52) **U.S. Cl.**
USPC **D24/112**
- (58) **Field of Classification Search**
USPC D24/112-114, 133, 186, 104, 127, 130;
606/181, 185; 604/264, 272, 115, 232,
604/187, 158, 164.08, 192, 263, 163, 181,
604/184, 198, 227
CPC A61J 1/2096; A61J 1/201; A61M 5/2448
See application file for complete search history.

(56) **References Cited**

U.S. PATENT DOCUMENTS

4,735,616 A *	4/1988	Eibl A61B 17/00491 604/191
4,872,866 A *	10/1989	Davis A61M 1/0062 604/227

OTHER PUBLICATIONS

International search report and written opinion dated Sep. 5, 2018, for PCT/IB2018/054164.

Primary Examiner — Nathan M Johnston
(74) *Attorney, Agent, or Firm* — David R. Crichton

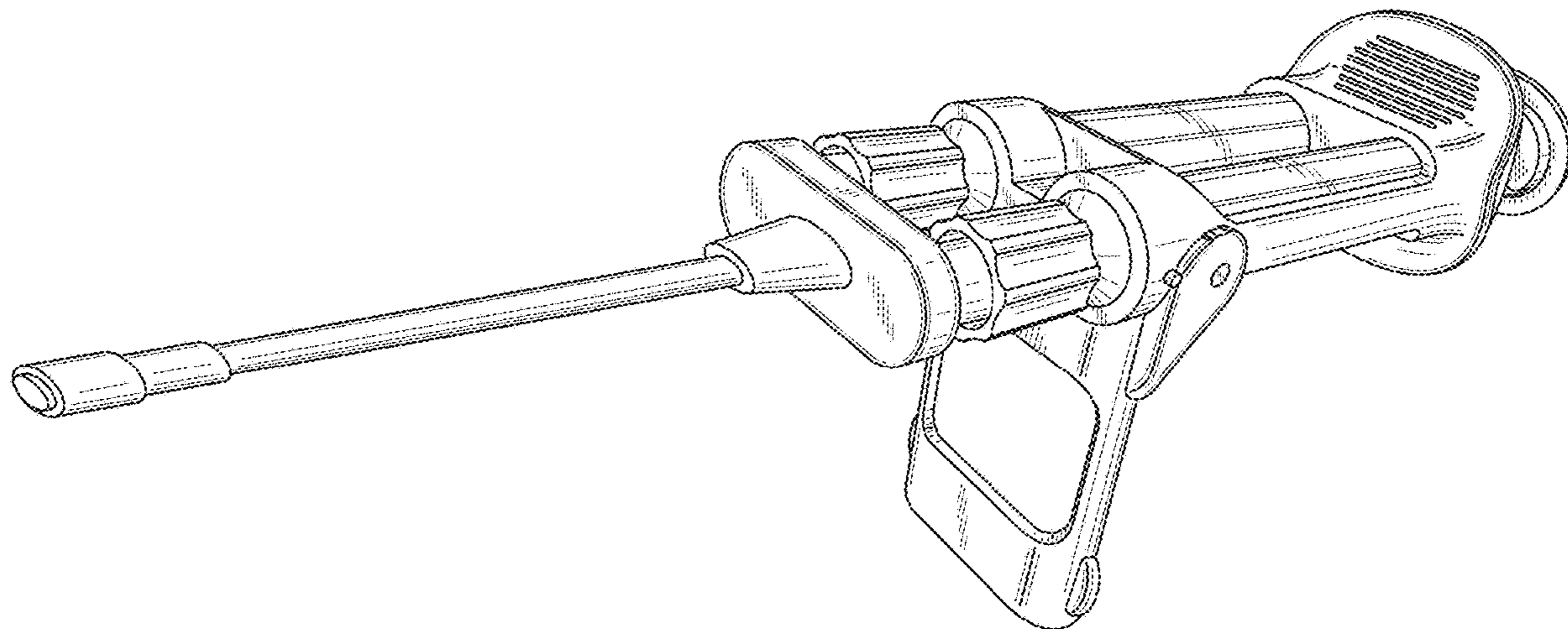
(57) **CLAIM**

The ornamental design for a reconstitution device, as shown and described.

DESCRIPTION

FIG. 1 is a perspective view of a reconstitution and delivery device, showing our new design;
FIG. 2 is a top plan view thereof;
FIG. 3 is a side elevation view thereof;
FIG. 4 is a bottom plan view thereof;
FIG. 5 is a front elevation view thereof;
FIG. 6 is a rear elevation view thereof; and,
FIG. 7 is a perspective view of the reconstitution device shown in FIG. 1 in a standing position.
The broken lines show portions of the design that form no part of the claimed design.

1 Claim, 6 Drawing Sheets



(56)

References Cited

U.S. PATENT DOCUMENTS

6,585,696 B2 *	7/2003	Petersen	A61B 17/00491 222/391	9,220,846 B2	12/2015	Jones et al.	
6,610,033 B1	8/2003	Melanson et al.			9,333,303 B2	5/2016	Leak et al.	
6,716,195 B2	4/2004	Nolan, Jr. et al.			9,402,787 B2 *	8/2016	Brem A61J 1/2096
6,732,887 B2 *	5/2004	Bills	B05C 17/00506 222/137	9,468,725 B2 *	10/2016	West A61M 5/3294
6,840,921 B1 *	1/2005	Haider	A61M 5/19 604/191	9,586,005 B2 *	3/2017	Steffen A61M 5/19
7,635,343 B2	12/2009	McIntosh et al.			D791,275 S *	7/2017	Muller D23/208
7,785,312 B2 *	8/2010	Thorne, Jr.	A61J 1/2096 604/500	10,166,514 B2 *	1/2019	Delmotte B01F 5/0682
D653,325 S	1/2012	Cheesman et al.			10,441,959 B2 *	10/2019	Sherman A61M 11/007
8,240,511 B2	8/2012	Greter et al.			2003/0120212 A1	6/2003	Dedig et al.	
8,323,262 B2 *	12/2012	D'Alessio	A61B 17/00491 604/520	2003/0233067 A1 *	12/2003	McIntosh A61B 17/00491 604/82
8,417,320 B2	4/2013	Martz			2004/0092864 A1 *	5/2004	Boehm, Jr. A61B 17/00491 604/82
8,419,675 B2 *	4/2013	Hayakawa	A61B 17/3474 604/24	2006/0196885 A1	9/2006	Leach et al.	
8,419,722 B2	4/2013	Richards et al.			2007/0005020 A1 *	1/2007	Laveault A61M 5/19 604/191
8,506,547 B2	8/2013	Sharratt et al.			2009/0076459 A1 *	3/2009	Goldberg A61B 17/00491 604/191
8,602,774 B2 *	12/2013	Wasylycha	A61C 3/005 433/89	2013/0245566 A1 *	9/2013	De Sausmarez Lintell A61M 5/19 604/246
8,628,495 B2 *	1/2014	Horton	A61M 5/1452 604/151	2013/0312868 A1	11/2013	Ilan et al.	
8,974,424 B2	3/2015	Kaisha			2013/0325059 A1	12/2013	O'Neill	
9,131,930 B2	9/2015	Greter			2013/0331658 A1	12/2013	Kai et al.	
9,174,001 B2	11/2015	Kirk et al.			2014/0074154 A1	3/2014	Goodman et al.	
					2014/0114276 A1	4/2014	Schweiss et al.	
					2016/0113639 A1 *	4/2016	Yokoyama A61M 5/19 604/82
					2017/0202743 A1	7/2017	Wu	
					2017/0281870 A1 *	10/2017	Kai A61B 17/00491

* cited by examiner

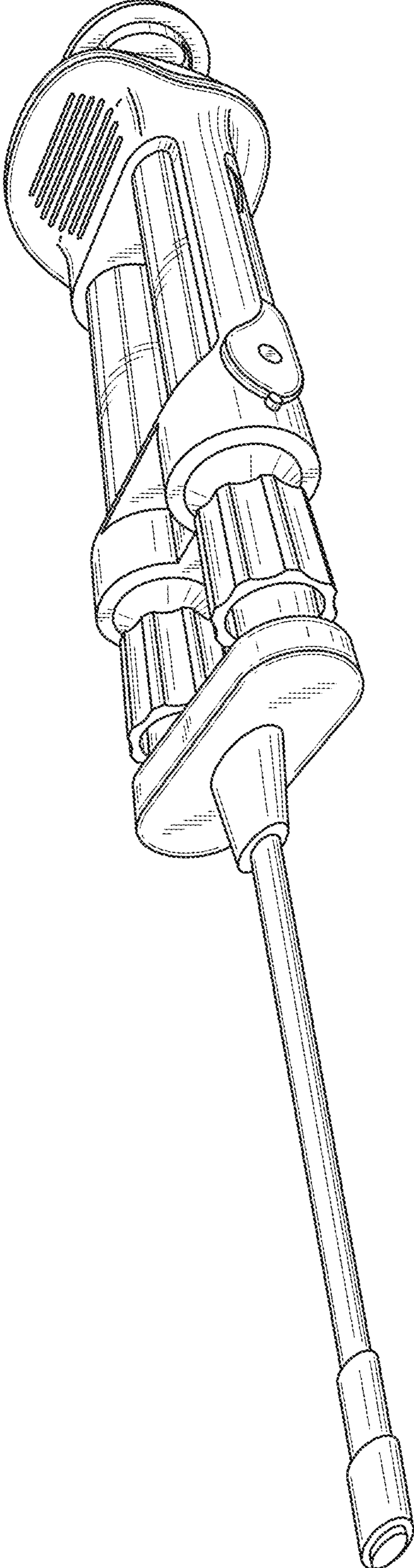
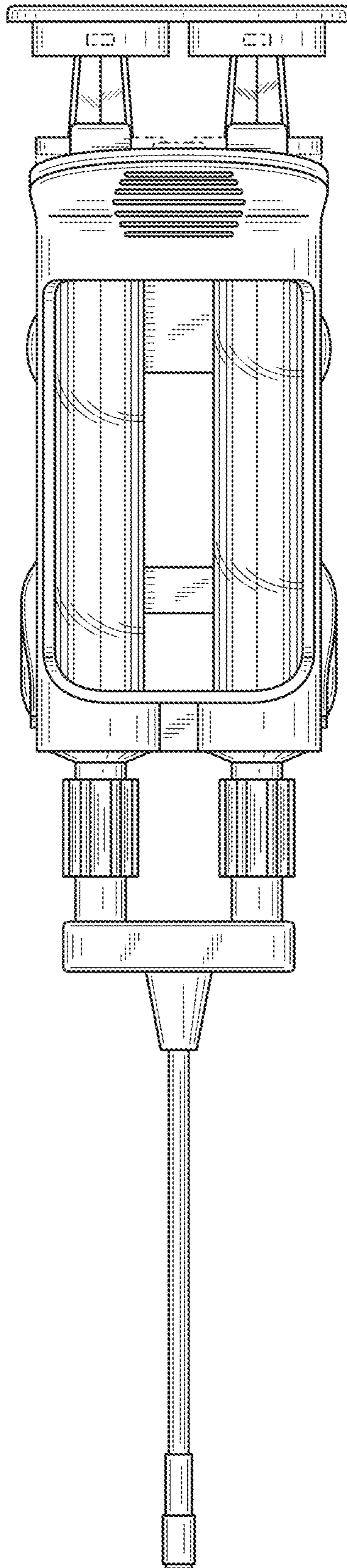


FIG. 1

FIG. 2



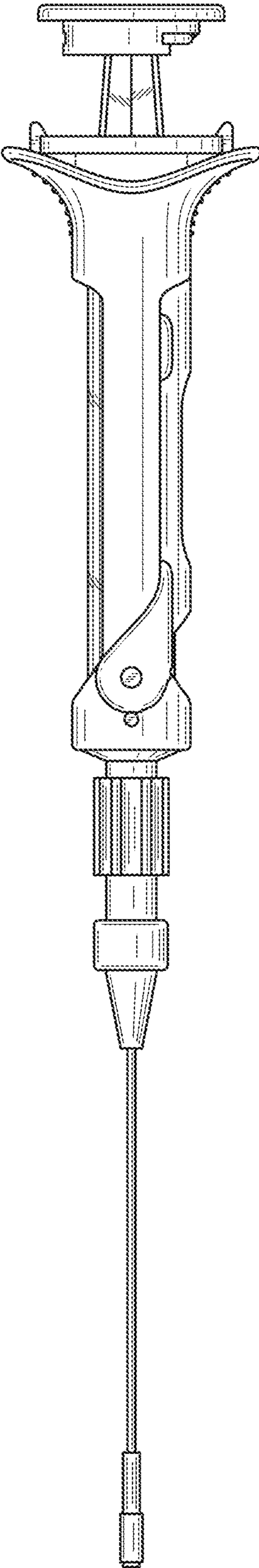


FIG. 3

FIG. 4

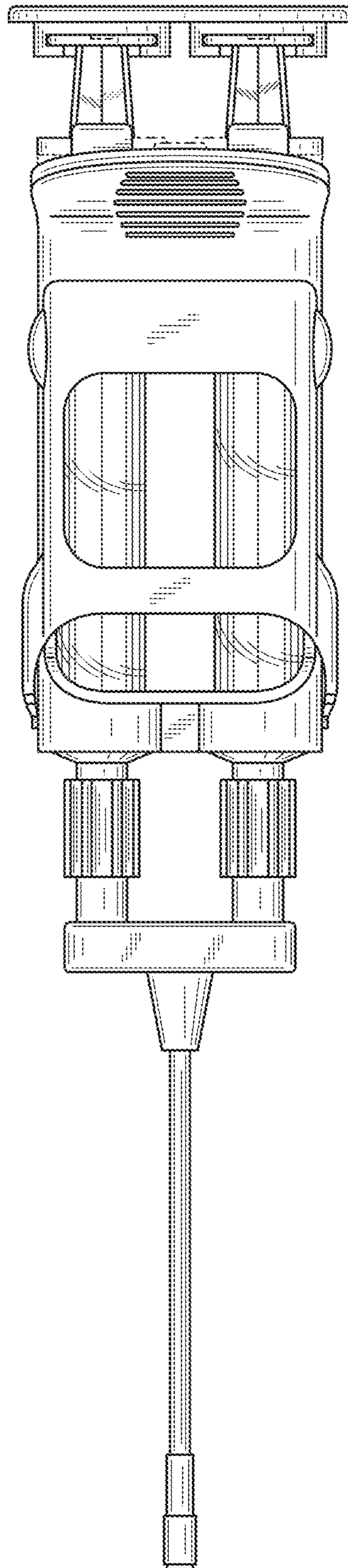


FIG. 5

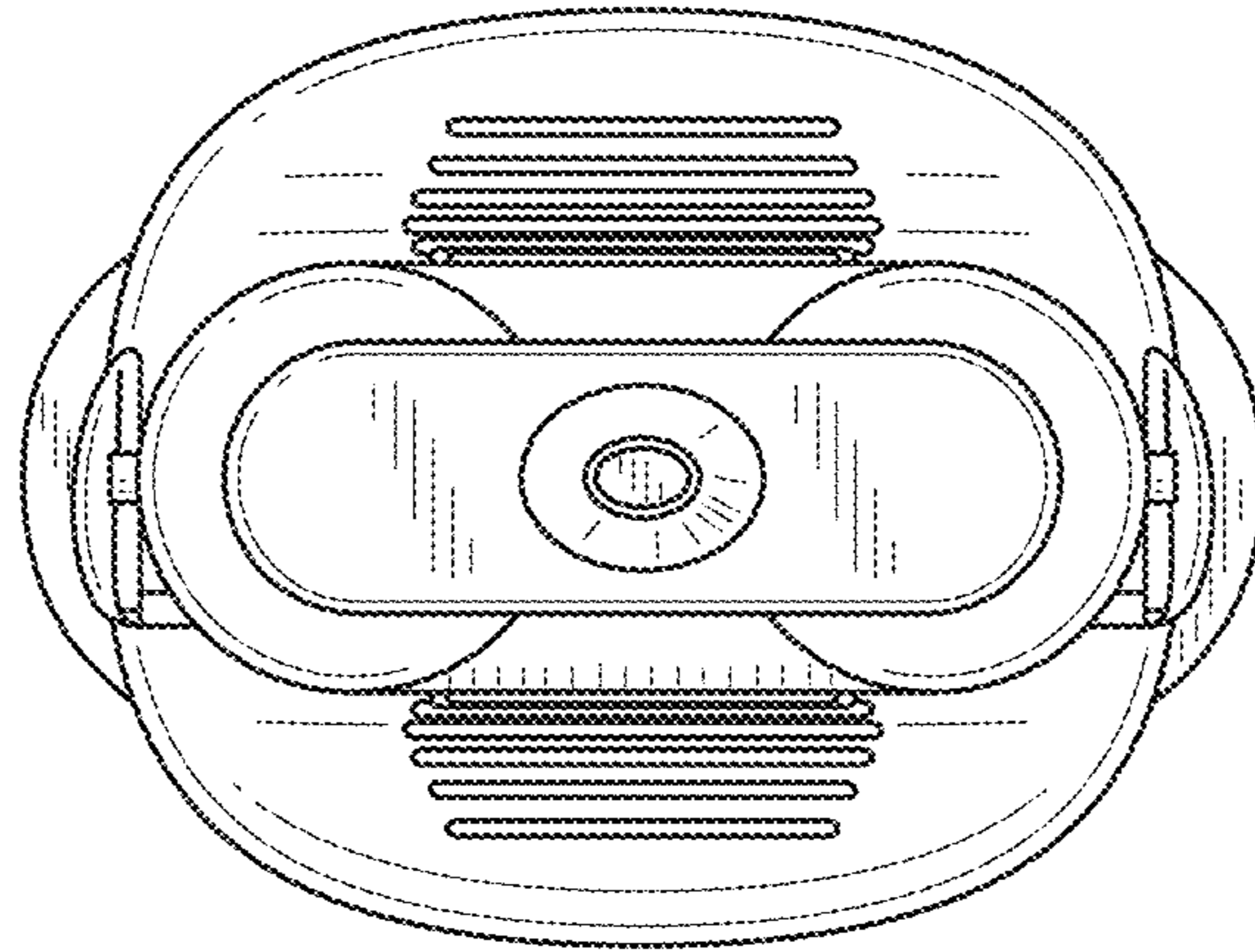


FIG. 6

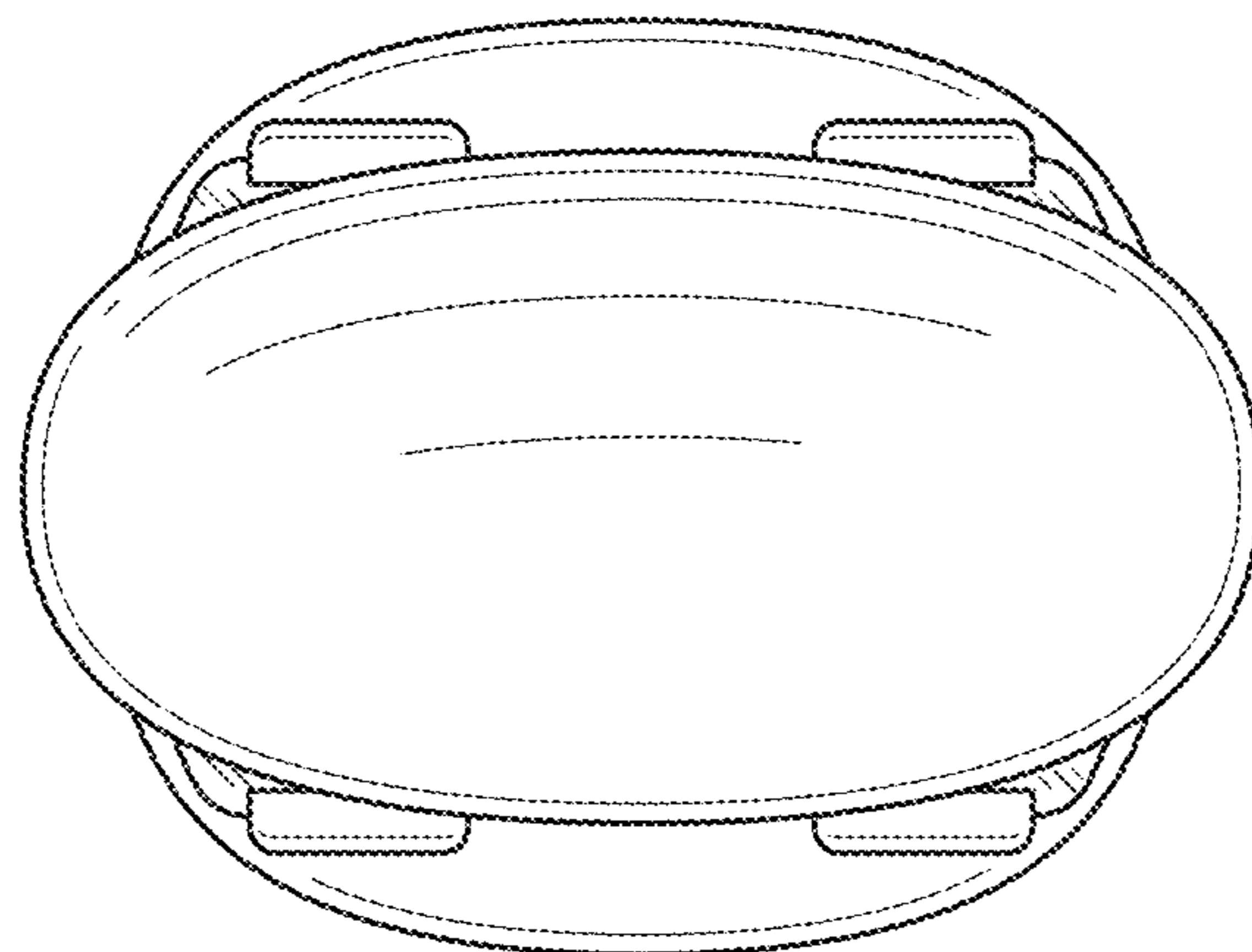


FIG. 7

