



US00D877889S

(12) **United States Design Patent**
Dekruif et al.

(10) **Patent No.:** **US D877,889 S**
(45) **Date of Patent:** **** Mar. 10, 2020**

(54) **NEGATIVE PRESSURE UNIT**
(71) Applicant: **KCI Licensing, Inc.**, San Antonio, TX (US)
(72) Inventors: **Daniel W. Dekruif**, San Antonio, TX (US); **James Killingworth Seddon**, Ferndown (GB); **Christopher Brian Locke**, Bournemouth (GB); **Benjamin Andrew Pratt**, Poole (GB); **James A. Luckemeyer**, San Antonio, TX (US); **Kenneth R. Smith**, San Antonio, TX (US)

D593,676 S * 6/2009 Locke D24/111
D594,114 S * 6/2009 Locke D24/111
7,770,855 B2 * 8/2010 Locke A61M 1/0025
248/214
D654,164 S * 2/2012 Cole D24/108
D660,409 S * 5/2012 Taggerty D24/108
8,663,199 B2 * 3/2014 Jaeb A61M 1/0005
604/19
2002/0161317 A1 * 10/2002 Risk A61M 1/0001
602/2
2014/0276499 A1 * 9/2014 Locke A61M 1/0015
604/322
2016/0250398 A1 * 9/2016 Barr A61M 1/0023
604/319
2019/0183684 A1 * 6/2019 Ingram A61M 1/0058
2019/0247236 A1 * 8/2019 Sides A61F 13/0216

(73) Assignee: **KCI Licensing, Inc.**, San Antonio, TX (US)

* cited by examiner

(**) Term: **15 Years**

Primary Examiner — Lilyana Bekic

(21) Appl. No.: **29/603,280**

(57) **CLAIM**

(22) Filed: **May 8, 2017**

The ornamental design for a negative pressure unit, as shown and described.

(51) **LOC (12) Cl.** **24-02**

DESCRIPTION

(52) **U.S. Cl.**

USPC **D24/111**

(58) **Field of Classification Search**

USPC D24/107, 108, 111, 117, 121, 188, 197, D24/224

CPC .. A61M 1/0088; A61M 27/00; A61M 1/0023; A61M 1/0001; A61M 1/0066; A61M 1/00; A61M 1/009; A61M 1/0058; A61F 13/00068; A61F 13/0216

See application file for complete search history.

This invention was made with government support under Contract FA8650-13-12-6372 awarded by the Department of the Air Force. The government has certain rights in the invention.

FIG. 1 is an top front perspective view of a negative pressure unit showing our new design;
FIG. 2 is a front elevational view thereof;
FIG. 3 is a rear elevational view thereof;
FIG. 4 is a right side elevational view thereof;
FIG. 5 is a left side elevational view thereof;
FIG. 6 is a top plan view thereof;
FIG. 7 is a bottom plan view thereof; and,
FIG. 8 is an top rear perspective view thereof.

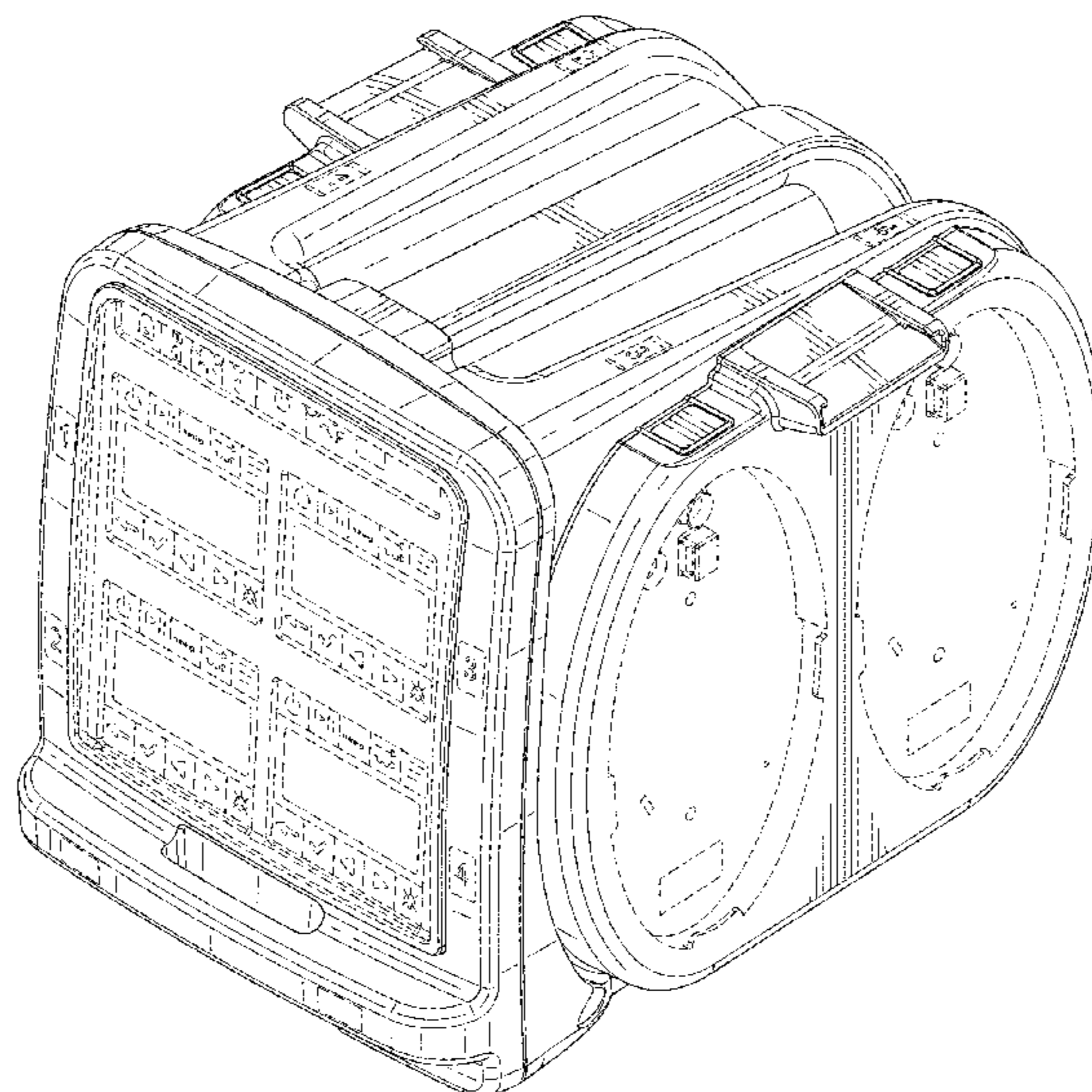
The broken lines in the drawings illustrate portions of the negative pressure unit that form no part of the claimed design.

(56) **References Cited**

U.S. PATENT DOCUMENTS

6,755,807 B2 * 6/2004 Risk, Jr. A61M 1/0001
604/305
D515,205 S * 2/2006 Fathalla D24/111
D565,177 S * 3/2008 Locke D24/111
D581,521 S * 11/2008 Locke D24/111

1 Claim, 8 Drawing Sheets



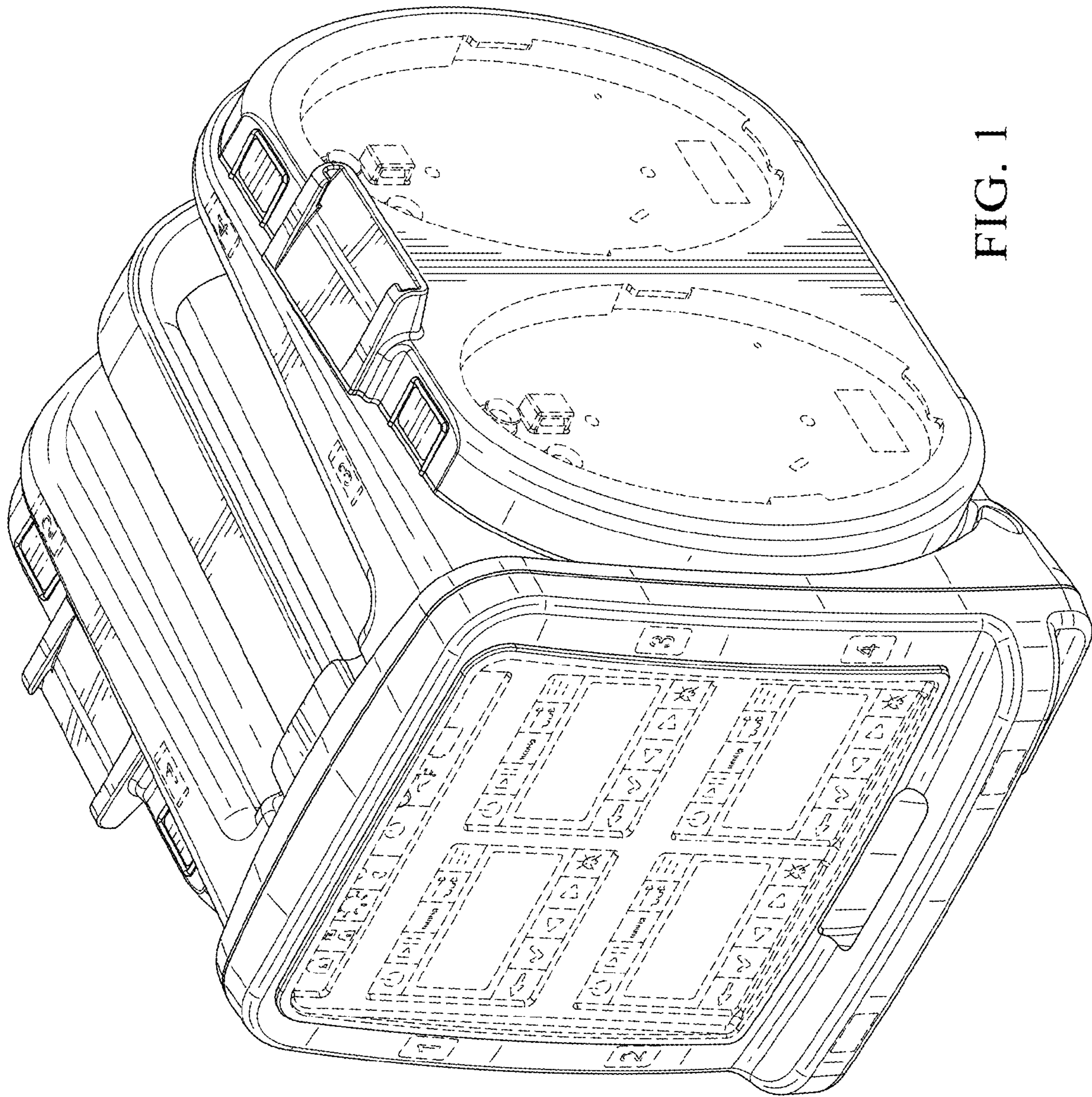


FIG. 1

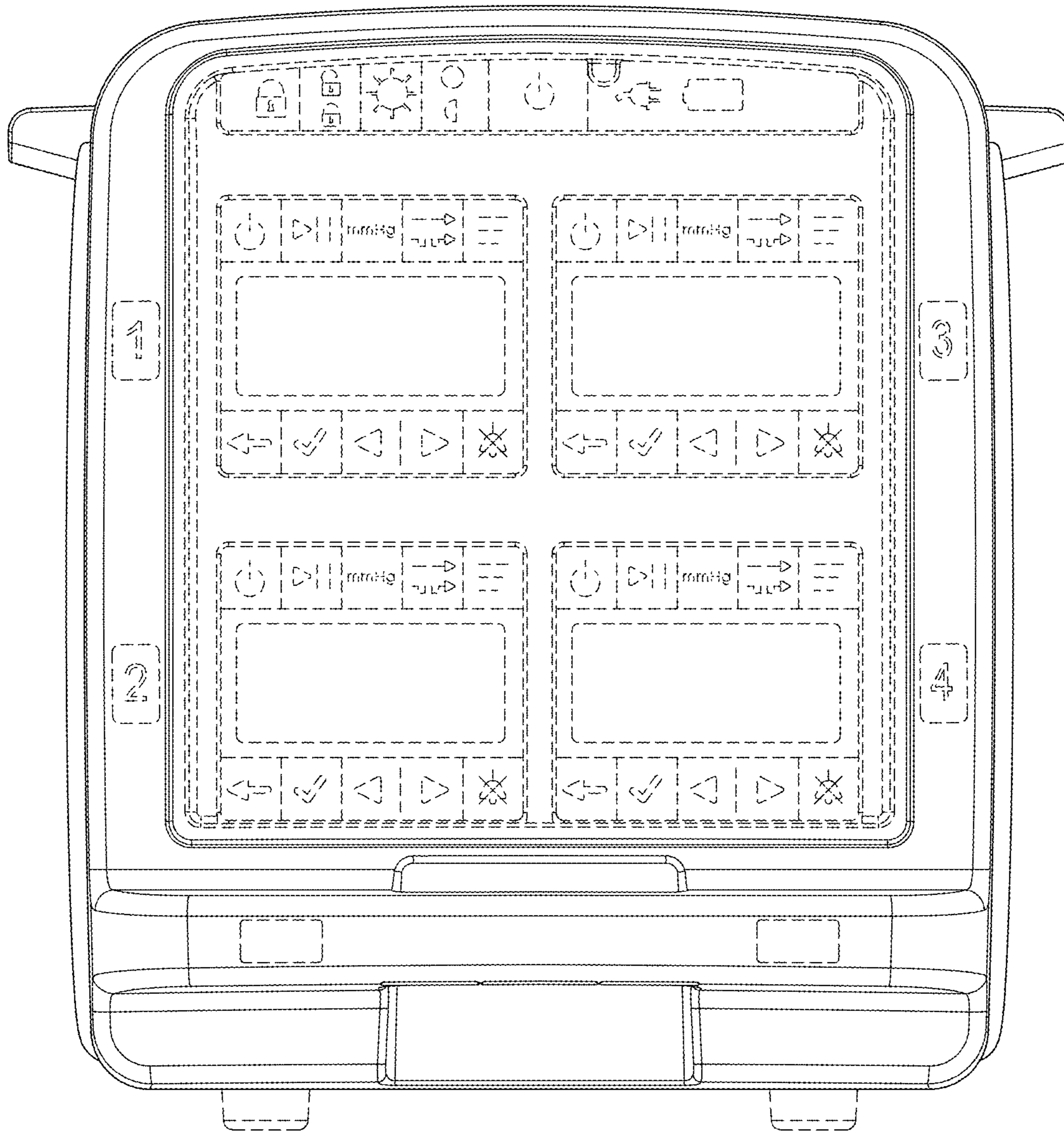


FIG. 2

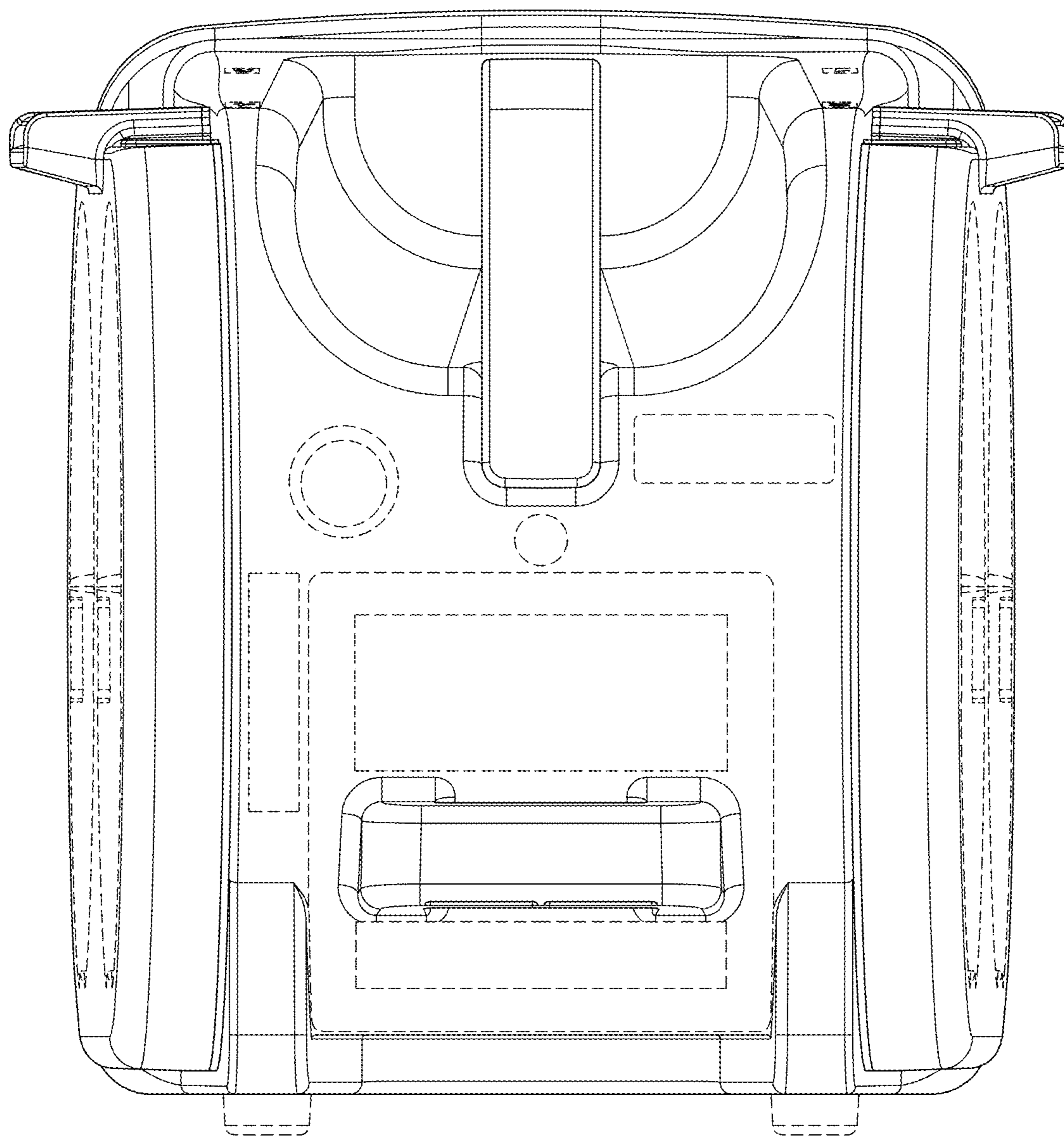


FIG. 3

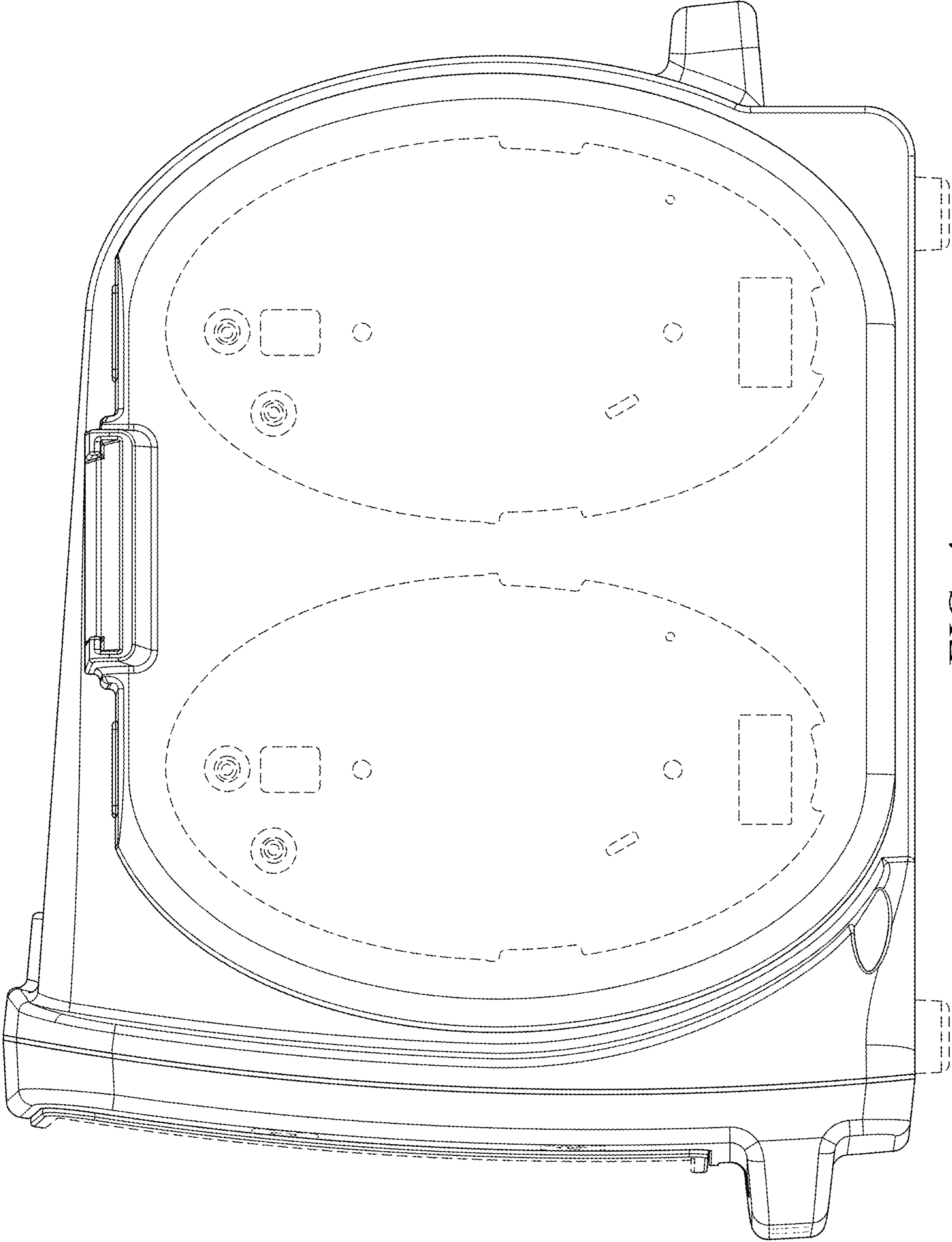


FIG. 4

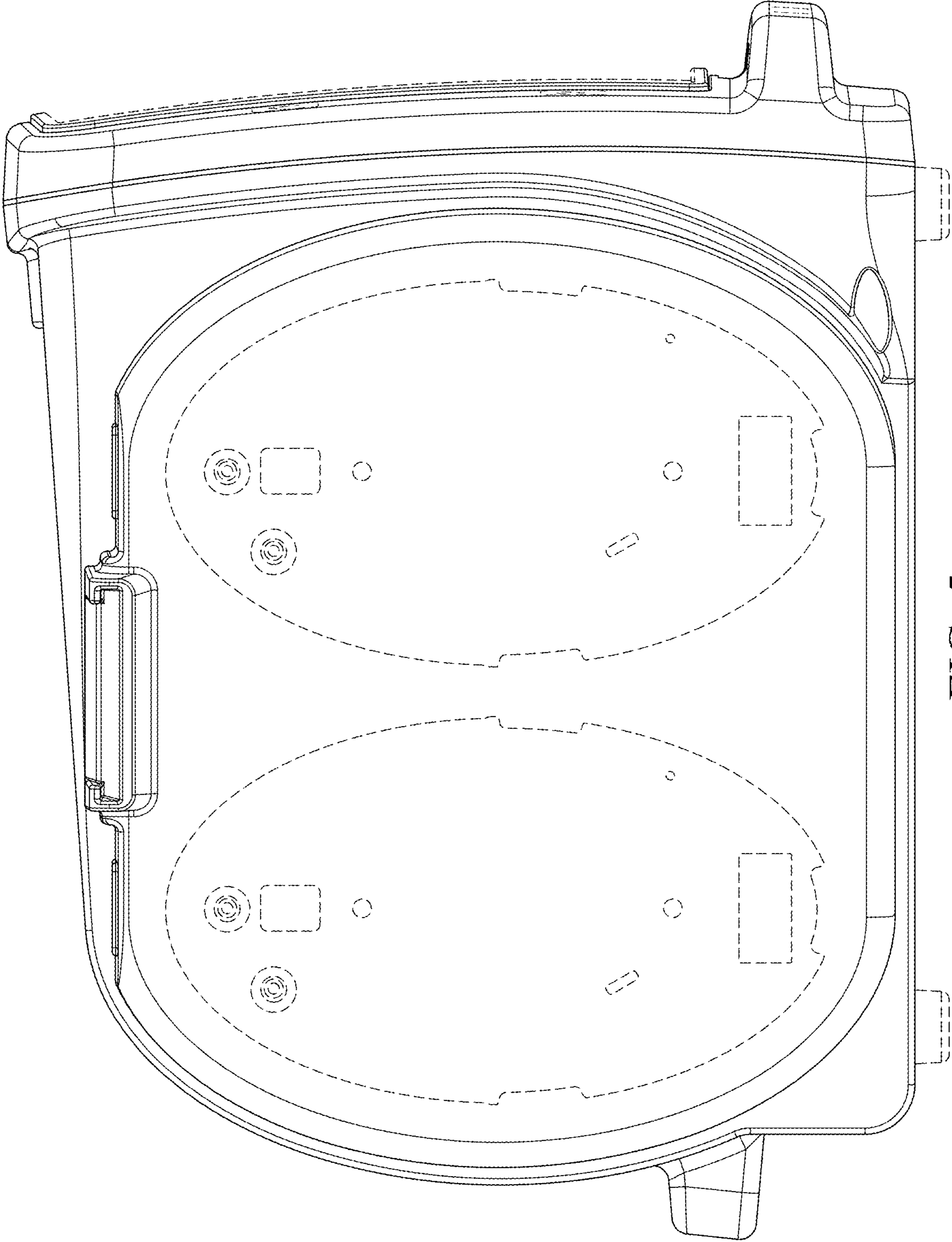


FIG. 5

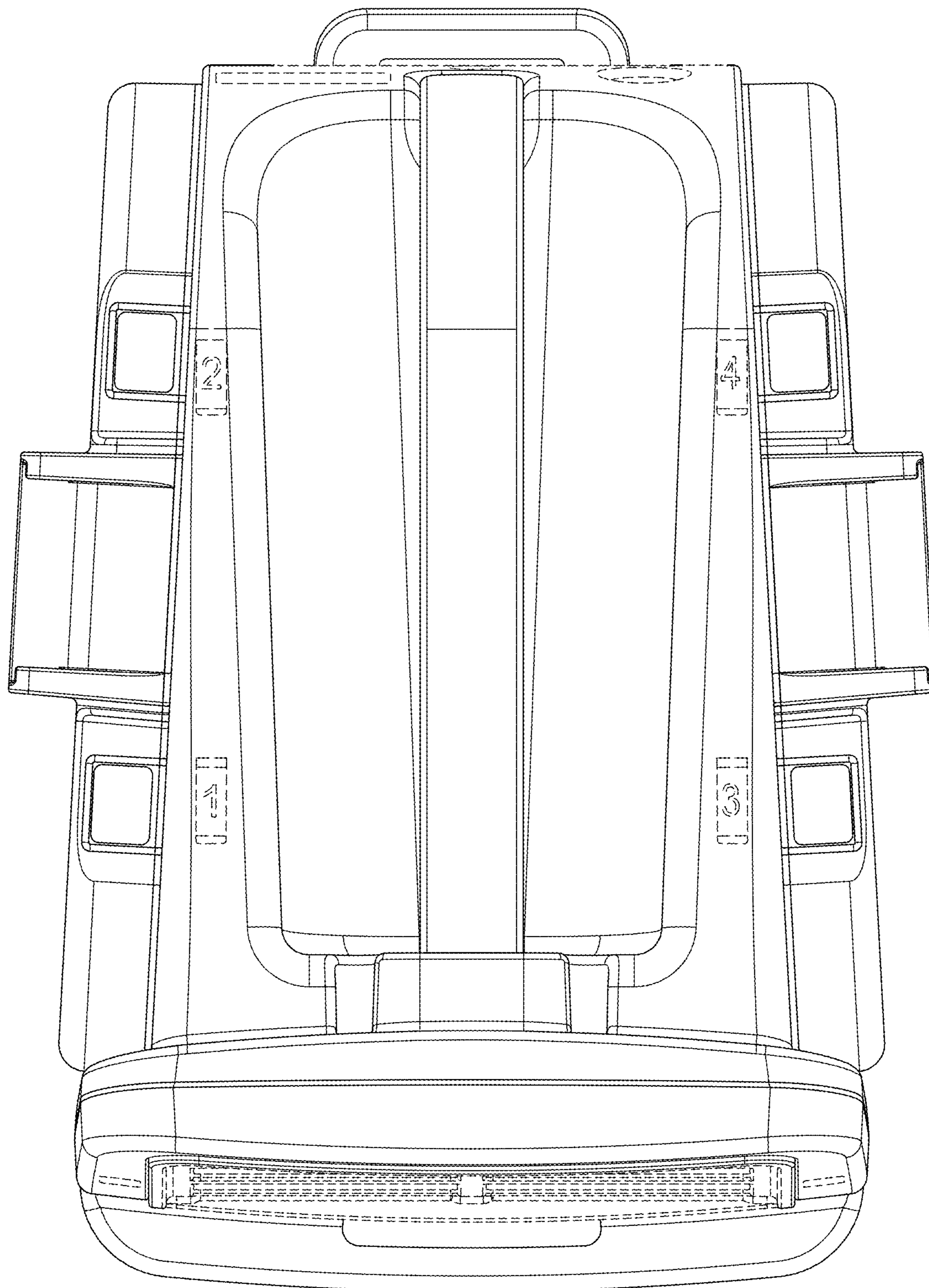


FIG. 6

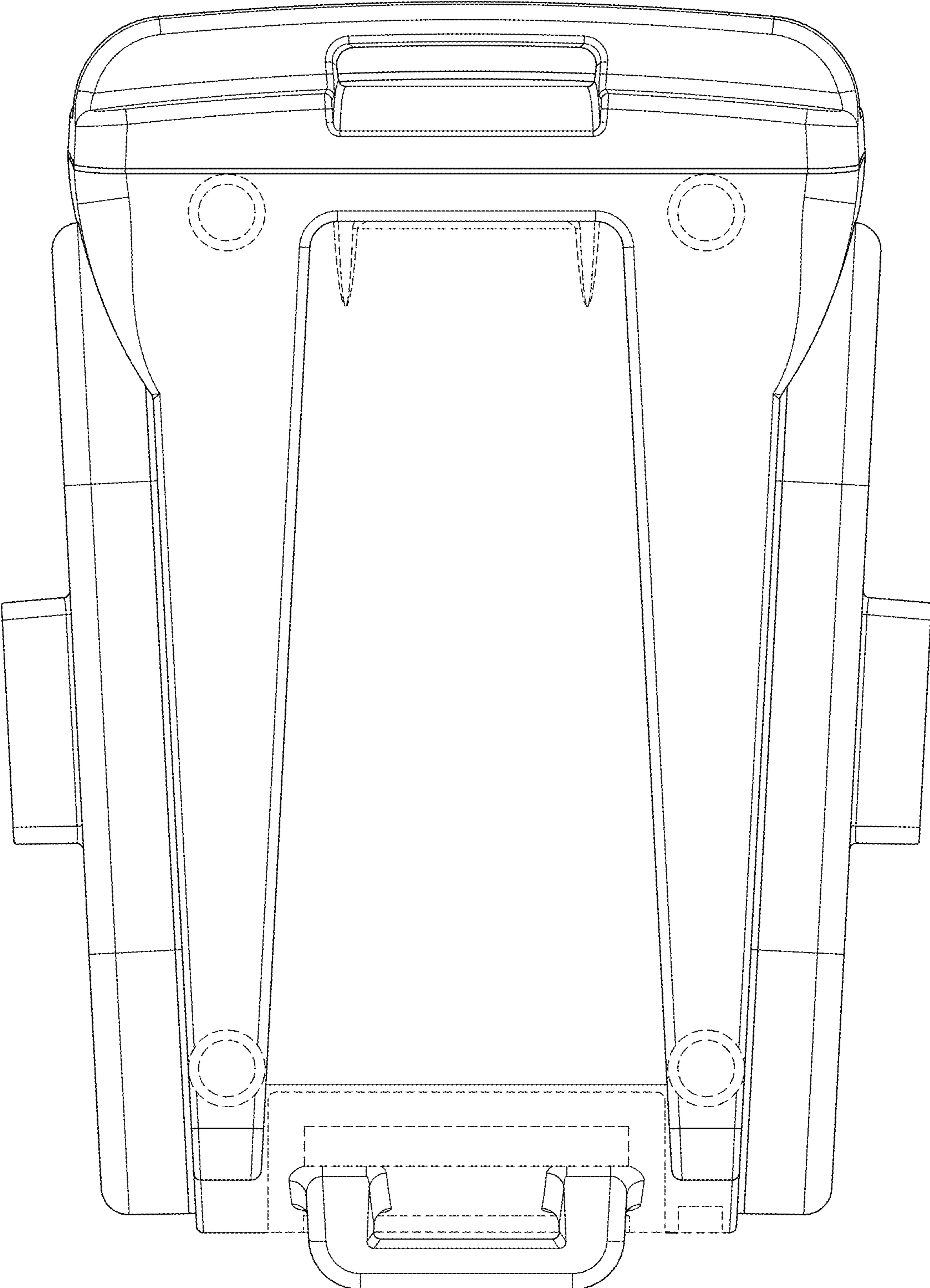


FIG. 7

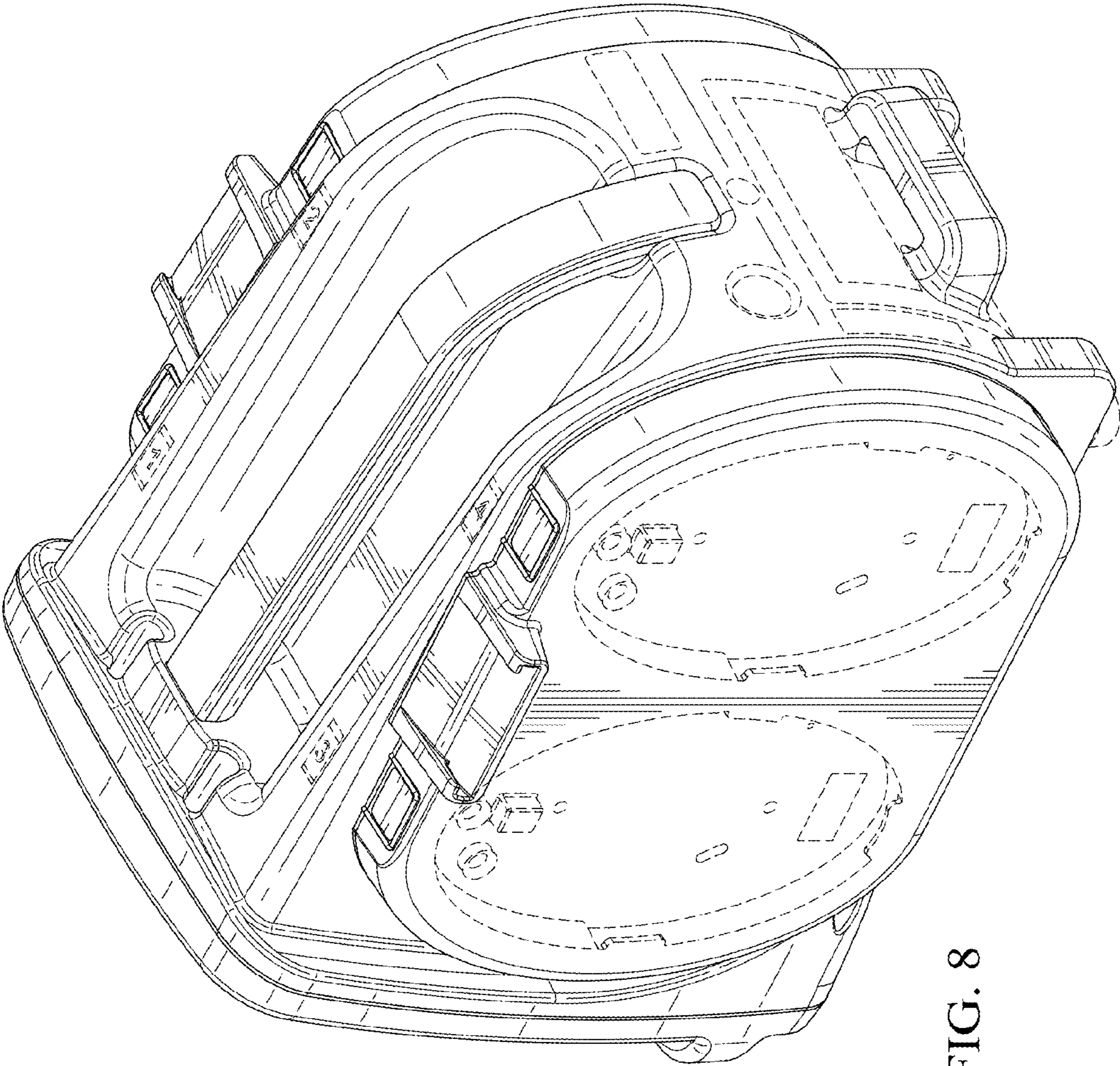


FIG. 8