



US00D877888S

(12) **United States Design Patent**
Miller et al.

(10) **Patent No.:** **US D877,888 S**
(45) **Date of Patent:** **** Mar. 10, 2020**

(54) **AIRWAY DEVICE**

(71) Applicants: **INTERSURGICAL AG**, Vaduz (LI);
Muhammed Aslam Nasir, Caddington,
Bedfordshire (GB)

(72) Inventors: **Andrew Neil Miller**, Crowthorne (GB);
Jane Elizabeth Kemp, Bristol (GB);
Muhammed Aslam Nasir, Caddington
(GB)

(73) Assignees: **INTERSURGICAL AG** (LI);
Muhammed Aslam Nasir (GB)

(**) Term: **15 Years**

(21) Appl. No.: **29/676,952**

(22) Filed: **Jan. 16, 2019**

Related U.S. Application Data

(62) Division of application No. 29/548,655, filed on Dec.
15, 2015, now Pat. No. Des. 842,456.

(51) **LOC (12) Cl.** **29-02**

(52) **U.S. Cl.**
USPC **D24/110.5**

(58) **Field of Classification Search**
USPC D24/110.1, 110.4, 110.6, 127, 129, 110,
D24/110.5

(Continued)

(56) **References Cited**

U.S. PATENT DOCUMENTS

478,582 A 7/1892 Ermold 128/207.14
2,099,127 A 11/1937 Leech 128/207.15

(Continued)

FOREIGN PATENT DOCUMENTS

AU B-52036/90 9/1990 A61M 16/04
AU B-45803/93 2/1994 A61M 16/04

(Continued)

OTHER PUBLICATIONS

“The Development of the Laryngeal Mask—a Brief History of the
Invention, Early Clinical Studies and Experimental Work from
Which the Laryngeal Mask Evolved” A.I.J. Brain, European Journal
of Anesthesiology, 1991, Supplement 4, pp. 5-17.

(Continued)

Primary Examiner — Lilyana Bekic

(74) *Attorney, Agent, or Firm* — Hayes Soloway PC

(57) **CLAIM**

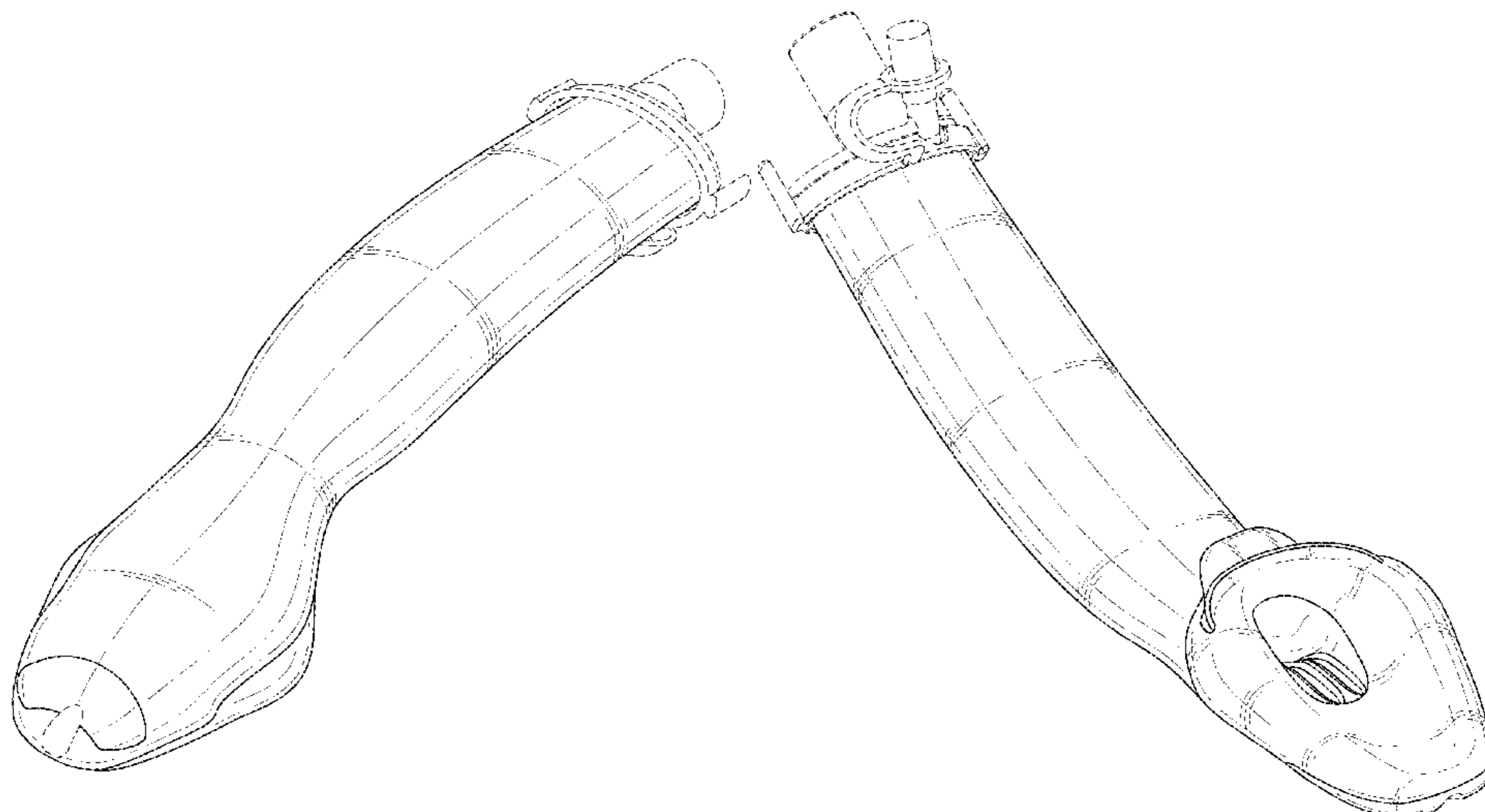
The ornamental design for an airway device, as shown and
described.

DESCRIPTION

FIG. 1 is a top perspective view of the first embodiment of
an airway device showing our design;
FIG. 2 is a bottom perspective view thereof;
FIG. 3 is a top plan view thereof;
FIG. 4 is a bottom plan view thereof;
FIG. 5 is a right side elevational view thereof;
FIG. 6 is a left side elevational view thereof;
FIG. 7 is a front perspective view thereof;
FIG. 8 is a rear perspective view thereof;
FIG. 9 is a top perspective view of a second embodiment of
an airway device showing our design;
FIG. 10 is a bottom perspective view thereof;
FIG. 11 is a top plan view thereof;
FIG. 12 is a bottom plan view thereof;
FIG. 13 is a right side elevational view thereof;
FIG. 14 is a left side elevational view thereof;
FIG. 15 is a front perspective view thereof; and,
FIG. 16 is a rear perspective view thereof.

The broken lines in the drawings depict portions of the
airway device that form no part of the claimed design.

1 Claim, 10 Drawing Sheets



(58) **Field of Classification Search**
 CPC A61M 16/0409; A61M 16/04; A61M
 16/0447; A61M 16/0415; A61M 16/0488;
 A61M 16/0463; A61M 16/0434; A61M
 16/0411
 See application file for complete search history.

(56) **References Cited**

U.S. PATENT DOCUMENTS

3,443,564 A 5/1969 Oehmig 128/351
 3,616,799 A 11/1971 Sparks 128/351
 3,734,100 A 5/1973 Walker et al. 128/351
 3,968,800 A 7/1976 Vilasi 128/343
 3,995,643 A 12/1976 Merav 128/351
 4,509,514 A 4/1985 Brain 128/207.15
 4,846,791 A 7/1989 Hattler A61M 25/0026
 4,913,139 A 4/1990 Ballew A61M 16/0488
 4,919,126 A 4/1990 Baildon 128/207.14
 4,995,388 A 2/1991 Brain 128/207.15
 5,054,483 A 10/1991 Marten et al. 128/207.14
 5,174,283 A 12/1992 Parker 128/200.26
 5,181,505 A 1/1993 Lew 128/200.26
 5,241,956 A 9/1993 Brain 128/207.15
 5,249,571 A 10/1993 Brain 128/207.14
 5,259,371 A 11/1993 Tonrey 128/200.26
 5,282,464 A 2/1994 Brain 128/207.15
 5,285,778 A 2/1994 Mackin 128/207.15
 5,297,547 A 3/1994 Brain 128/207.15
 5,303,697 A 4/1994 Brain 128/200.26
 5,305,743 A 4/1994 Brain 128/207.15
 5,309,906 A 5/1994 LaBombard 128/207.14
 5,322,062 A 6/1994 Servas 128/207.14
 5,339,805 A 8/1994 Parker 128/200.26
 5,355,879 A 10/1994 Brain 128/207.15
 5,391,248 A 2/1995 Brain 156/242
 5,477,851 A 12/1995 Callaghan et al. 128/207.15
 5,584,290 A 12/1996 Brain 128/207.15
 5,605,149 A 2/1997 Warters 128/207.14
 5,618,267 A 4/1997 Palestrant 605/53
 5,623,921 A 4/1997 Kinsinger et al. 128/200.26
 5,632,271 A 5/1997 Brain 128/207.15
 5,653,229 A 8/1997 Greenberg 128/207.15
 5,655,519 A 8/1997 Alfery 128/200.26
 5,682,880 A 11/1997 Brain 128/207.15
 5,711,293 A 1/1998 Brain 128/200.24
 5,791,341 A 8/1998 Bullard 128/207.15
 5,827,243 A 10/1998 Palestrant A61M 25/0023
 5,853,004 A 12/1998 Goodman 128/207.15
 5,865,176 A 2/1999 O'Neil 128/207.15
 5,878,745 A 3/1999 Brain 128/207.15
 5,881,726 A 3/1999 Neame 128/207.15
 5,896,858 A 4/1999 Brain 128/207.15
 5,915,383 A 6/1999 Pagan 128/207.15
 5,921,988 A 7/1999 Legrand 606/87
 5,937,859 A 8/1999 Augustine et al. 128/207.15
 5,937,860 A 8/1999 Cook 128/207.15
 5,964,217 A 10/1999 Christopher 128/200.26
 5,976,072 A 11/1999 Greenberg 600/120
 5,979,445 A 11/1999 Neame et al. 128/207.15
 5,988,167 A 11/1999 Kamen 128/207.15
 6,003,514 A 12/1999 Pagan 128/207.15
 6,055,984 A 5/2000 Brain 128/207.14
 6,070,581 A 6/2000 Augustine et al. 128/207.15
 6,079,409 A 6/2000 Brain 128/200.26
 6,429,811 S 8/2000 Bermudez D24/110.5
 6,095,144 A 8/2000 Pagan 128/207.15
 6,152,136 A 11/2000 Pagan 128/207.15
 6,216,696 B1 4/2001 van den Berg 128/207.14
 6,280,675 B1 8/2001 Legrand 264/262
 6,311,688 B1 11/2001 Augustine et al. 128/200.26
 6,318,367 B1 11/2001 Mongeon 128/207.15
 6,422,239 B1 7/2002 Cook 128/207.15
 6,439,232 B1 8/2002 Brain 128/207.15
 6,474,332 B2 11/2002 Arndt 128/200.26
 6,536,437 B1 3/2003 Dragisic 128/207.18
 6,604,525 B2 8/2003 Pagan 128/207.15

6,631,720 B1 10/2003 Brain 128/207.14
 D482,118 S 11/2003 Dave et al. D24/110
 6,672,305 B2 1/2004 Parker 128/200.26
 6,679,263 B2 1/2004 Luchetti et al. 128/207.15
 6,698,430 B2 3/2004 Van Landuyt 128/207.15
 6,705,318 B1 3/2004 Brain 128/207.14
 6,705,321 B2 3/2004 Cook 128/207.15
 6,705,322 B2 3/2004 Chang 128/207.15
 6,792,948 B2 9/2004 Brain 128/207.14
 6,799,574 B1 10/2004 Collins 128/207.15
 6,827,710 B1 12/2004 Mooney A61B 17/3417
 6,877,512 B2 4/2005 Imai et al. 128/207.15
 6,918,388 B2 7/2005 Brain 128/200.26
 6,918,391 B1 7/2005 Moore 128/842
 6,971,382 B1 12/2005 Corso 128/200.26
 7,004,169 B2 2/2006 Brain 128/207.14
 D518,572 S * 4/2006 Nasir D24/110.5
 D518,890 S * 4/2006 Nasir D24/110.5
 7,040,312 B2 5/2006 Alfery et al. 128/200.26
 7,040,322 B2 5/2006 Fortuna 128/207.15
 7,047,973 B2 5/2006 Chang 128/207.15
 7,096,868 B2 8/2006 Tateo et al. 128/207.15
 7,097,802 B2 8/2006 Brain 264/255
 7,134,431 B2 11/2006 Brain 128/200.26
 7,140,368 B1 11/2006 Collins 128/207.14
 D542,675 S 5/2007 Luxton et al. D9/749
 7,263,998 B2 9/2007 Miller 128/207.15
 RE39,938 E 12/2007 Brain 128/207.15
 7,305,985 B2 12/2007 Brain 128/200.26
 7,357,845 B2 4/2008 Cook 156/242
 7,506,648 B2 3/2009 Brain 128/207.15
 D611,138 S * 3/2010 Nasir D24/110.5
 D615,188 S 5/2010 Nasir D24/110.5
 D618,788 S 6/2010 Dubach D24/110.5
 7,762,261 B1 7/2010 Fortuna 128/207.14
 7,784,464 B2 8/2010 Cook A61M 16/0409
 7,806,119 B2 * 10/2010 Nasir A61M 16/04
 128/205.25
 7,896,007 B2 3/2011 Brain 128/207.15
 7,900,632 B2 3/2011 Cook 128/207.14
 7,934,502 B2 5/2011 Cook A61M 16/04
 8,001,964 B2 8/2011 McDonald et al. 128/200.26
 D650,520 S 12/2011 Timmermans D27/163
 8,091,242 B2 1/2012 Teys et al. 30/324
 8,215,307 B2 7/2012 Nasir 128/207.15
 D665,495 S * 8/2012 Nasir D24/110.5
 D668,759 S * 10/2012 Nasir D24/110
 D693,920 S 11/2013 Miller D24/110.5
 D710,990 S * 8/2014 Brain A61M 16/00
 D24/110.5
 8,809,682 B2 8/2014 Hepfinger H02G 9/065
 D716,937 S 11/2014 Brain D24/110.5
 9,265,905 B2 2/2016 Aslam 128/207.15
 D791,305 S * 7/2017 Poulsen D24/110.5
 D809,125 S 1/2018 Kheong D24/110
 2001/0015207 A1 8/2001 Pagan 128/207.15
 2001/0025641 A1 10/2001 Doane et al. 128/207.15
 2001/0027793 A1 10/2001 Tielemans 128/848
 2002/0010417 A1 1/2002 Bertram 604/96.01
 2002/0010617 A1 1/2002 Hamaguchi et al. 705/10
 2002/0078961 A1 6/2002 Collins 128/207.15
 2002/0103472 A1 8/2002 Kramer 604/507
 2002/0108610 A1 8/2002 Christopher 128/200.26
 2002/0112728 A1 8/2002 Landuyt 128/207.15
 2002/0170556 A1 11/2002 Gaitini 128/200.14
 2003/0037790 A1 2/2003 Brain 128/207.14
 2003/0066532 A1 4/2003 Gobel 128/207.15
 2003/0101998 A1 6/2003 Zocca et al. 128/207.15
 2003/0136413 A1 7/2003 Brain et al. 128/207.15
 2003/0172925 A1 9/2003 Zocca et al. 128/202.22
 2003/0172933 A1 9/2003 Nimmo 128/207.14
 2003/0213492 A1 11/2003 Alfery A61M 16/04
 2004/0020488 A1 2/2004 Kniewasser 128/204.18
 2004/0020491 A1 2/2004 Fortuna 128/207.15
 2004/0060564 A1 4/2004 Brain A61M 16/00
 2004/0200479 A1 10/2004 Chang 128/207.14
 2005/0016529 A1 1/2005 Cook 128/200.24
 2005/0051173 A1 3/2005 Brain 128/207.14
 2005/0051175 A1 3/2005 Brain 128/207.14

(56)

References Cited

U.S. PATENT DOCUMENTS

2005/0066975 A1 3/2005 Brain 128/207.15
 2005/0081861 A1 4/2005 Nashir 128/207.14
 2005/0103345 A1 5/2005 Brain 128/207.15
 2005/0104255 A1 5/2005 Mejlhede et al. 264/328.1
 2005/0199244 A1 9/2005 Tateo A61M 16/04
 2005/0274383 A1 12/2005 Brain 128/207.15
 2006/0081245 A1 4/2006 Gould 128/200.26
 2006/0207601 A1* 9/2006 Nasir A61M 16/04
 128/207.14
 2007/0137651 A1 6/2007 Glassenberg et al. ... 128/207.15
 2008/0099026 A1 5/2008 Chang 128/207.15
 2008/0142017 A1 6/2008 Brain 128/207.15
 2008/0236590 A1 10/2008 Reissmann 128/207.14
 2008/0257356 A1 10/2008 Swick A61M 16/04
 2008/0276932 A1 11/2008 Bassoul A61M 16/04
 2008/0308109 A1 12/2008 Brain 128/207.14
 2009/0090356 A1 4/2009 Cook 128/200.26
 2009/0247868 A1 10/2009 Chesnin A61M 25/0032
 2010/0059061 A1 3/2010 Brain 128/207.14
 2010/0089393 A1 4/2010 Brain 128/203.12
 2010/0126512 A1 5/2010 Nasir 128/207.14
 2010/0147309 A1 6/2010 Cuevas et al. 128/207.14
 2010/0242957 A1 9/2010 Fortuna 128/202.22
 2010/0319704 A1 12/2010 Nasir 128/207.15
 2011/0004197 A1 1/2011 Sansoucy A61M 25/0102
 2011/0023890 A1 2/2011 Baska 128/207.15
 2011/0120474 A1 5/2011 Daugherty A61M 16/04
 2011/0226256 A1 9/2011 Dubach
 2011/0265799 A1 11/2011 Lisogurski 128/207.15
 2011/0277772 A1* 11/2011 Nasir A61D 7/04
 128/207.15
 2012/0024292 A1 2/2012 Sandmore et al. 128/207.14
 2013/0092172 A1 4/2013 Nasir 128/207.15
 2013/0247917 A1 9/2013 Brain 128/207.15
 2013/0269689 A1 10/2013 Brain A61M 16/04
 2013/0324798 A1 12/2013 Molnar et al. 600/120
 2014/0171855 A1 6/2014 Mastri A61M 39/1011
 2015/0000672 A1 1/2015 Jassell 128/207.15
 2015/0005743 A1 1/2015 McCullough A61M 25/1011
 2015/0144134 A1 5/2015 Dubach A61M 16/0447
 2015/0320962 A1 11/2015 Bafile A61M 16/0816
 2016/0235934 A1 8/2016 Poulsen A61M 16/0409
 2016/0317768 A1 11/2016 Nasir et al. A61M 16/0486
 2016/0331918 A1* 11/2016 Nasir A61M 16/0488
 2017/0043111 A1 2/2017 Hoftman A61M 39/105
 2017/0072154 A1 3/2017 Hoftman A61M 16/0816
 2018/0221051 A1* 8/2018 Durkin A61B 5/097

FOREIGN PATENT DOCUMENTS

AU 200076743 5/2001 A61M 16/04
 CA 1 324 551 11/1993 A61M 16/04
 CA 2 191 749 12/1995 A61M 16/01
 CA 2 346 248 4/2000 A61M 16/04
 CN 1 166 138 11/1997 A61M 16/00
 CN 1 236 326 11/1999 A61M 16/04
 CN 1 351 509 5/2002 A61M 16/04
 CN 105251091 1/2016 A61M 16/04
 DE 42 33 933 4/1993 H02N 2/00
 DE 43 30 032 4/1994 H02N 2/00
 DE 195 00 550 7/1996 A61M 16/04
 DE 299 02 267 7/1999 A61M 16/06
 DE 201 00 176 5/2001 A61M 16/01
 DE 202 06 692 8/2002 A61M 16/00
 DE 102008052752 4/2010 A61M 25/14
 EM 000067210-0001 8/2003
 EM 000067210-0002 8/2003
 EM 000197124-0001 6/2004
 EM 000197124-0002 6/2004
 EM 000197124-0003 6/2004
 EM 000197124-0004 6/2004
 EM 000197124-0005 6/2004
 EM 000197124-0006 6/2004
 EM 000180757-0001 7/2004

EM 000482195-0001 2/2006
 EM 000482195-0002 2/2006
 EM 1220701 3/2007 A61M 16/04
 EM 1169077 12/2007 A61M 16/04
 EP 0 277 797 8/1988 A61M 16/04
 EP 0 389 272 9/1990 A61M 16/04
 EP 0 448 878 10/1991 A61M 16/04
 EP 0 586 717 3/1994 A61M 16/04
 EP 0 794 807 9/1997 A61M 16/00
 EP 0 834 331 8/1998 A61M 16/04
 EP 0 857 492 8/1998 A61M 16/04
 EP 0 875 260 11/1998 A61M 16/04
 EP 0 884 061 12/1998 A61M 16/04
 EP 0 911 049 4/1999 A61M 16/04
 EP 0 935 971 8/1999 A61M 16/04
 EP 1 125 595 8/2001 A61M 16/04
 EP 1504870 2/2005
 EP 1 579 885 9/2005 A61M 16/04
 EP 1 875 937 1/2008 A61M 16/04
 ES 1 046 206 1/2000 A61M 25/00
 FR 2 094 264 1/1972 C07C 31/00
 FR 2 690 018 10/1993 H02N 2/00
 FR 2 760 186 9/1998 A61F 2/30
 FR 2 807 307 10/2001 A24B 1/10
 FR 2 827 482 1/2003 A47J 37/06
 FR 2 851 107 8/2004 H04M 11/06
 GB 1 402 255 8/1975 A61M 25/00
 GB 2 113 348 8/1983 B06B 1/16
 GB 2 128 561 5/1984 B60R 19/54
 GB 2 168 256 6/1986 A61M 16/04
 GB 2 249 959 5/1992 A61M 16/04
 GB 2 267 034 11/1993 A61M 25/02
 GB 2 285 765 7/1995 A61M 16/04
 GB 2 317 342 3/1998 A61M 16/04
 GB 2 319 182 5/1998 A61M 16/04
 GB 2 323 292 9/1998 A61M 16/04
 GB 2 326 009 12/1998 A61M 16/04
 GB 2 330 312 4/1999 A61M 16/04
 GB 2 337 020 11/1999 B29D 31/00
 GB 2 359 996 9/2001 A61M 16/04
 GB 2 364 644 2/2002 A61M 16/04
 GB 2 373 188 9/2002 A61M 16/04
 GB 2 393 399 3/2004 A61M 16/04
 GB 2 404 863 2/2005 A61M 16/04
 GB 2 413 963 11/2005 A61M 16/04
 GB 2438799 12/2007 A61M 16/04
 GB 2 465 453 5/2010 A61M 16/04
 GB 2479823 10/2011 A61M 16/12
 GB 2481538 12/2011 A61M 16/04
 GB 2521375 6/2015 A61M 16/04
 GB 2546167 7/2017 A61M 16/04
 IE 922073 12/1993 A61M 16/00
 IT 1224077 9/1990
 JP 3-236858 10/1991 A61M 16/04
 JP 6/277286 10/1994 A61M 16/04
 JP 2706567 1/1998 A61B 1/00
 JP 2007-509154 4/2007 A61K 31/4409
 TW 224047 11/2004 B29C 45/76
 WO WO91/12844 9/1991 A61M 16/04
 WO WO 94/17848 8/1994 A61M 16/04
 WO WO 95/09665 4/1995 A61M 16/04
 WO WO 97/12640 4/1997 A61M 16/00
 WO WO 98/06276 2/1998 A23L 1/30
 WO WO 98/24498 6/1998 A61M 16/04
 WO WO 98/50096 11/1998 A61M 16/00
 WO WO 99/24101 5/1999 A61M 16/00
 WO WO 99/44665 9/1999 A61M 16/04
 WO WO 00/09189 2/2000 A61M 16/04
 WO WO 00/30706 6/2000 A61M 16/04
 WO WO 00/61213 10/2000 A61M 16/04
 WO WO0112844 2/2001 C12Q 1/34
 WO WO 01/13980 3/2001 A61M 16/04
 WO WO2011131974 10/2001 A61M 16/04
 WO WO 0197890 12/2001 A61M 16/00
 WO WO 02/32490 3/2003 A61M 16/04
 WO WO 03/020340 3/2003 A61M 16/04
 WO WO 03018094 3/2003 A61M 16/04
 WO WO 2004/016308 2/2004 A61M 16/04
 WO WO2004/089453 10/2004

(56)

References Cited

FOREIGN PATENT DOCUMENTS

WO	WO 2005/016427	2/2005	A61M 16/04
WO	WO2005027999	3/2005		
WO	WO 2005/041864	5/2005	A61K 31/415
WO	WO2005099800	10/2005	A61M 16/04
WO	WO2006/125986	11/2006	A61M 16/04
WO	WO 2009/129081	10/2009	A61M 16/04
WO	WO2009142821	11/2009	A61B 1/31
WO	WO2011161473	12/2011	A61M 16/04
WO	WO2014058840	4/2014	A61M 16/00
WO	WO2014159522	10/2014	A61M 16/04
WO	WO2015092404	6/2015	A61M 16/04

OTHER PUBLICATIONS

Combined Search and Examination Report issued in corresponding application No. GB1110775.2, dated Oct. 18, 2011 (8 pgs).

Combined Search and Examination Report issued in corresponding application No. GB0718849.3, dated Oct. 29, 2007 (4 pgs).

Combined Search and Examination Report issued in corresponding application No. GB0502519.2, dated Sep. 13, 2005 (6 pgs).

Combined Search and Examination Report issued in corresponding application No. GB1019839.8, dated Dec. 1, 2010 (2 pgs).

Combined Search and Examination Report issued in corresponding application No. GB 0418050.1, dated Nov. 29, 2004 (7 pgs).

Combined Search and Examination Report issued in related application No. GB1301478.2, dated May 23, 2013 (5 pgs).

European Patent Office Examination Report Issued in Corresponding Application No. 14824070.8, dated Apr. 24, 2017 (9 Pages).

Examination Report issued in corresponding application No. 09 756 353.0-1257, dated Aug. 17, 2012 (5 pgs).

Extended European Search Report and Written Opinion issued in corresponding EPO application No. 07019251.3, dated Feb. 1, 2008 (8 pgs).

First Office Action issued in corresponding Chinese application No. 200480023382.4, dated Aug. 22, 2008 (15 pgs).

Further examination as result of telephone conversation with examiner issued in corresponding EPO application No. 03 787 902.0 (1 pg). crossed out by PTO (undated), no need to resubmit per NPS Mar. 19, 2015.

Great Britain Combined Search and Examination Report issued in application No. GB1322330.0, dated May 20, 2015 (8 pgs).

Great Britain Combined Search and Examination Report issued in application No. GB1322328.4, dated Feb. 26, 2015 (8 pgs).

Great Britain Combined Search and Examination Report issued in application No. GB1800914.2, dated Feb. 2, 2018 (6 pgs).

Great Britain Combined Search and Examination Report Issued in Corresponding Application No. GB1621321.7, dated May 4, 2017 (5 Pages).

Great Britain Examination Report Issued in Corresponding Application No. GB1322330.0, dated Mar. 8, 2016 (3 Pages).

International Preliminary Report on Patentability issued in application No. PCT/GB2014/053744, dated Jun. 21, 2016 (9 pgs).

International Preliminary Report on Patentability issued in application No. PCT/GB2014/053745, dated Jun. 21, 2016 (9 pgs).

International Search Authority issued in corresponding PCT application PCT/GB03/03577 dated Dec. 9, 2003 (5 pgs).

International Search Report and Written Opinion issued in Applicant's corresponding UK Patent Application Serial No. GB0817776.8, dated Jan. 8, 2009 (6 pgs).

International Search Report and Written Opinion issued in application No. PCT/GB2014/053745, dated Mar. 11, 2015 (14 pgs).

International Search Report and Written Opinion issued in application No. PCT/GB2014/053744, dated Jul. 14, 2015 (15 pgs).

International Search Report and Written Opinion issued in corresponding application No. PCT/GB2011/051203, dated Jul. 12, 2011 (13 pgs).

International Search Report and Written Opinion issued in corresponding application No. PCT/GB2011/051203, dated Dec. 7, 2011 (15 pgs).

International Search Report and Written Opinion issued in corresponding PCT application No. PCT /GB2009/051574, dated Jun. 7, 2010 (28 pgs).

International Search Report and Written Opinion issued in related application No. PCT/GB2013/050180, dated May 7, 2013 (13 pgs).

International Search Report issued in corresponding PCT application PCT/GB03/03577 dated Aug. 14, 2003 (9 pgs).

Invitation to Pay Additional Fees with International Search Report issued in corresponding application No. PCT/GB2004/003481, dated Nov. 12, 2004 (8 pgs).

Japanese Office Action (no translation) issued in related application No. 2012-38633, dated Apr. 23, 2013 (2 pgs).

Letter from IP Australia regarding third party application for re-examination dated Sep. 21, 2011 involving corresponding application No. 2008207412 (2 pgs).

Notice for Reasons for Rejection issued in corresponding Japanese application No. 2006/523053, dated Nov. 8, 2010, with English translation (4 pgs).

Notice of Allowance issued in U.S. Appl. No. 13/805,956, dated Dec. 21, 2015 (26 pgs).

Notice of Allowance issued in U.S. Appl. No. 14/315,141, dated Nov. 13, 2015 (36 pgs).

Notice of Allowance issued in U.S. Appl. No. 14/315,149, dated Mar. 11, 2016 (42 pgs).

Notice of Allowance issued in U.S. Appl. No. 14/315,149, dated Aug. 30, 2016 (16 pgs).

Notice of Allowance issued in U.S. Appl. No. 14/375,109, dated Feb. 9, 2018 (8 pgs).

Notice of Allowance issued in U.S. Appl. No. 29/428,284, dated Mar. 8, 2016 (17 pgs).

Notice of Allowance issued in U.S. Appl. No. 29/548,655, dated Oct. 11, 2018 (28 pgs).

Notice of Allowance issued in related U.S. Appl. No. 13/403,806, dated Mar. 12, 2014 (16 pgs).

Notice of Allowance issued in related U.S. Appl. No. 29/416,561, dated May 9, 2014 (7 pgs).

Notice of Allowance issued in related U.S. Appl. No. 29/449,900, dated Jul. 24, 2013 (11 pgs).

Notice of Allowance issued in related U.S. Appl. No. 29/407,461, dated Jun. 12, 2013 (26 pgs).

Office Action issued in U.S. Appl. No. 12/627,844, dated Jan. 27, 2017 (28 pgs).

Office Action issued in U.S. Appl. No. 12/627,844, dated May 5, 2016 (33 pgs).

Office Action issued in U.S. Appl. No. 12/627,844, dated Sep. 17, 2015 (26 pgs).

Office Action issued in U.S. Appl. No. 14/375,109, dated Aug. 10, 2016 (49 pgs).

Office Action issued in U.S. Appl. No. 14/375,109, dated Dec. 15, 2017 (17 pgs).

Office Action issued in U.S. Appl. No. 14/375,109, dated Nov. 7, 2016 (17 pgs).

Office Action issued in U.S. Appl. No. 29/353,658 dated Aug. 19, 2011 (10 pgs).

Office Action issued in U.S. Appl. No. 29/428,284, dated Mar. 19, 2015 (6 pgs) add if not having to pay.

Office Action issued in U.S. Appl. No. 29/428,284, dated Nov. 10, 2015 (5 pgs).

Office Action issued in U.S. Appl. No. 29/512,931, dated Mar. 8, 2016 (8 pgs).

Office Action issued in U.S. Appl. No. 29/512,931, dated Nov. 23, 2015 (20 pgs).

Office Action issued in U.S. Appl. No. 29/512,932, dated Mar. 8, 2016 (8 pgs).

Office Action issued in U.S. Appl. No. 29/512,932, dated Nov. 19, 2015 (19 pgs).

Office Action issued in U.S. Appl. No. 29/548,655, dated Mar. 8, 2018, (7 pgs).

Office Action issued in related U.S. Appl. No. 12/627,844, dated Feb. 28, 2014 (22 pgs).

Office Action issued in related U.S. Appl. No. 12/627,844, dated Oct. 23, 2014 (38 pgs).

(56)

References Cited

OTHER PUBLICATIONS

Office Action issued in related U.S. Appl. No. 13/130,555, dated Jun. 20, 2014 (36 pgs).
Office Action issued in related U.S. Appl. No. 13/403,806, dated Apr. 25, 2013 (6 pgs).
Office Action issued in related U.S. Appl. No. 13/403,806, dated Aug. 15, 2013 (45 pgs).
Office Action issued in related U.S. Appl. No. 29/428,284, dated Oct. 6, 2014 (66 pgs).
Office Action issued in related U.S. Appl. No. 29/475,489, dated Jun. 20, 2014 (25 pgs).
Office Action issued in related U.S. Appl. No. 29/475,489, dated Dec. 4, 2014 (13 pgs).
Official Action issued in U.S. Appl. No. 14/375,109, dated Jun. 23, 2017 (10 pgs).
PCT International Search Report, PCT Application Serial No. PCT/GB2008/050880, dated Jan. 14, 2009 (20 pgs).
UK Search Report issued in corresponding application No. GB1110775.2, dated Oct. 18, 2011 (8 pgs).
US Official Action dated Feb. 14, 2013, issued in U.S. Appl. No. 29/407,461 (21 pgs).
U.S. Appl. No. 10/983,199, filed Nov. 5, 2004.
U.S. Appl. No. 10/568,362, filed Feb. 14, 2006.
U.S. Appl. No. 12/627,844, filed Nov. 30, 2009.
U.S. Appl. No. 29/353,658, filed Jan. 12, 2010.
U.S. Appl. No. 12/680,731, filed Mar. 29, 2010.
U.S. Appl. No. 12/859,169, filed Aug. 18, 2010.
U.S. Appl. No. 13/130,555, filed May 20, 2011.
U.S. Appl. No. 29/402,009, filed Sep. 19, 2011.

U.S. Appl. No. 29/407,461, filed Nov. 29, 2011.
U.S. Appl. No. 13/403,806, filed Feb. 23, 2012.
U.S. Appl. No. 29/416,561, filed Mar. 23, 2012.
U.S. Appl. No. 29/428,284, filed Jul. 27, 2012.
U.S. Appl. No. 13/805,956, filed Dec. 20, 2012.
U.S. Appl. No. 29/449,900, filed Mar. 15, 2013.
U.S. Appl. No. 29/475,489, filed Dec. 3, 2013.
U.S. Appl. No. 14/315,141, filed Jun. 25, 2014.
U.S. Appl. No. 14/315,149, filed Jun. 25, 2014.
U.S. Appl. No. 14/375,109, filed Jul. 28, 2014.
U.S. Appl. No. 29/512,931, filed Dec. 23, 2014.
U.S. Appl. No. 29/512,932, filed Dec. 23, 2014.
U.S. Appl. No. 29/548,655, filed Dec. 15, 2015.
U.S. Appl. No. 15/106,239, filed Jun. 17, 2016.
U.S. Appl. No. 15/106,243, filed Jun. 17, 2016.
U.S. Appl. No. 29/698,547, filed Jul. 17, 2019.
U.S. Appl. No. 15/106,239, filed Jun. 17, 2016, Nasir et al.
U.S. Appl. No. 15/106,243, filed Jun. 17, 2016, Nasir et al.
U.S. Appl. No. 29/698,547, filed Jul. 17, 2019, Nasir et al.
Great Britain Search and Examination Report issued in application No. GBP7665X, dated May 31, 2019 (7 pgs).
Great Britain Search and Examination Report issued in application No. GBP7665, dated May 31, 2019 (9 pgs).
Merriam-Webster Lumen Definition (Year: 2019) (1 pg).
Office Action issued in U.S. Appl. No. 15/106,239, dated Jul. 18, 2019 (18 pgs).
Office Action issued in U.S. Appl. No. 15/106,243, dated Aug. 2, 2019 (18 pgs).
U.S. Appl. No. 29/548,655, filed Dec. 15, 2015, Miller et al.

* cited by examiner

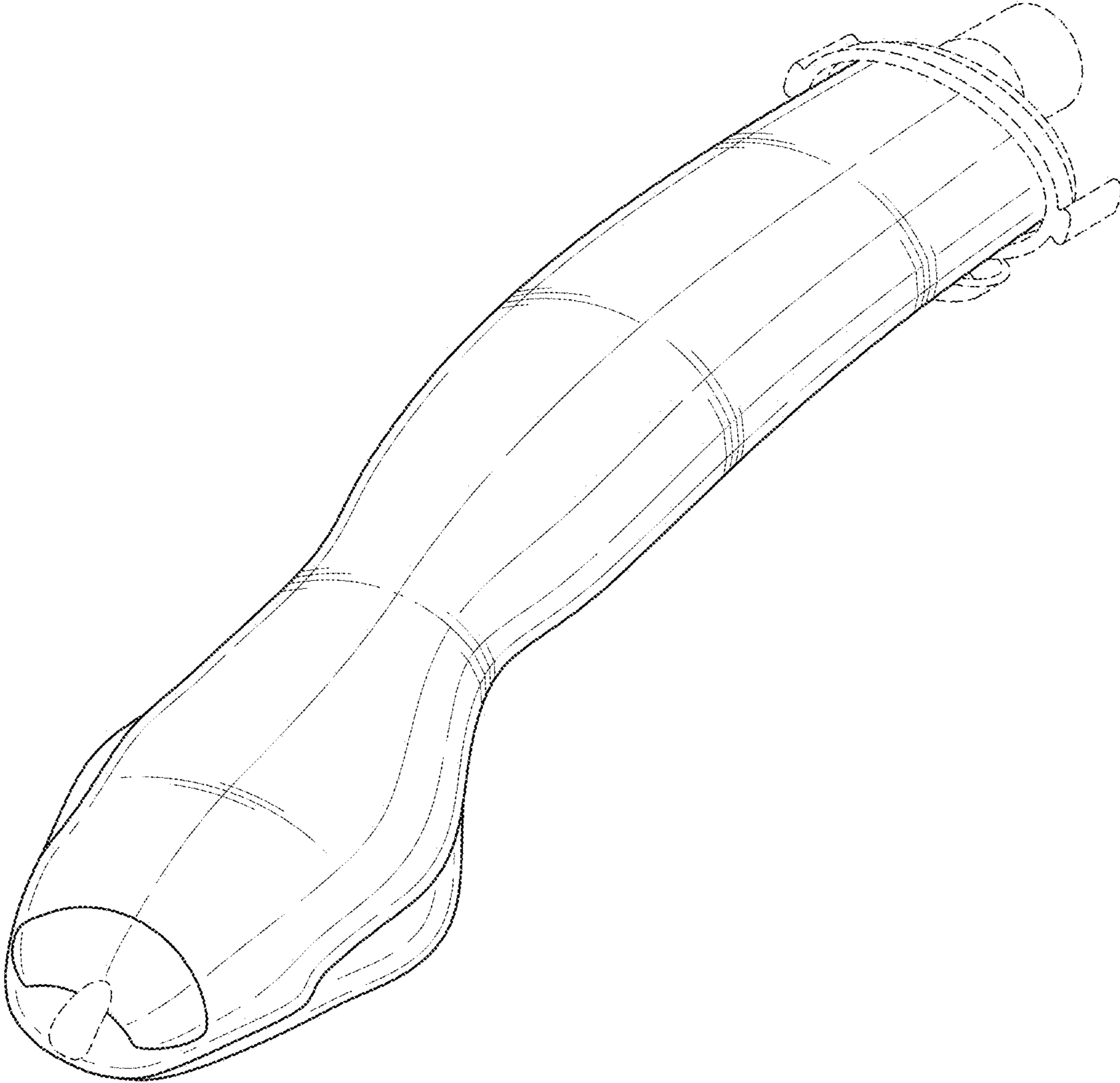


FIG. 1

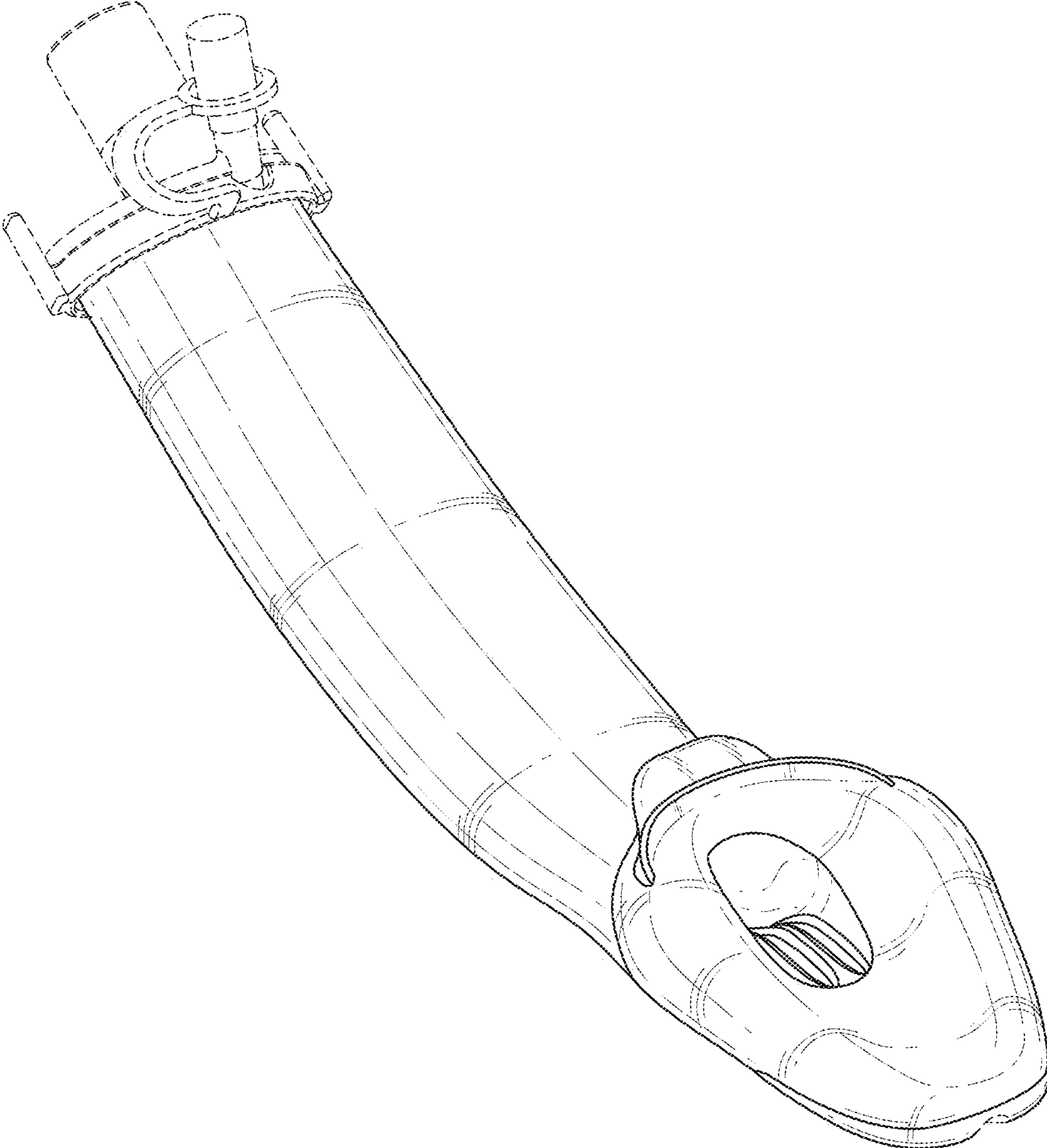


FIG. 2

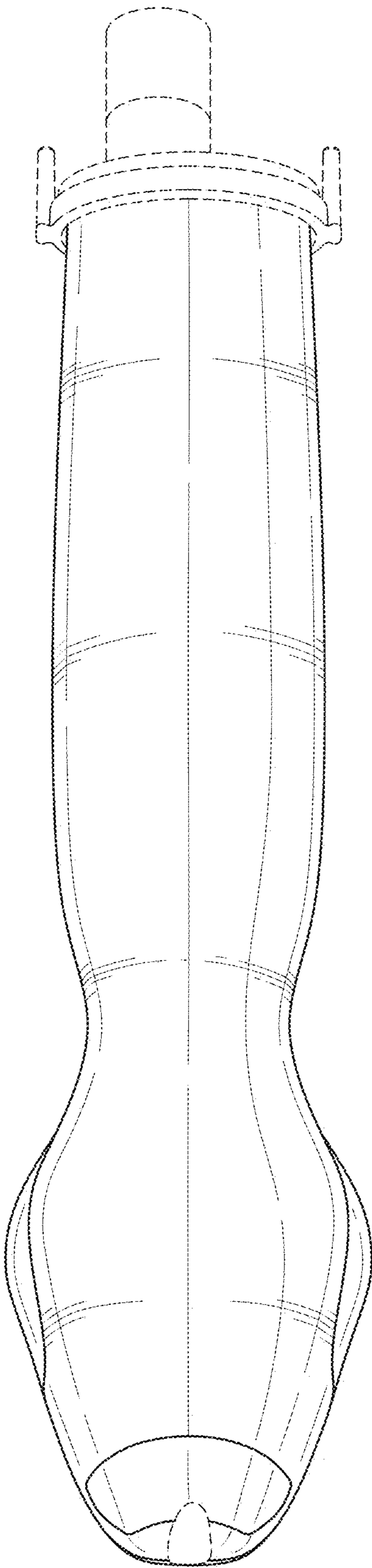


FIG. 3

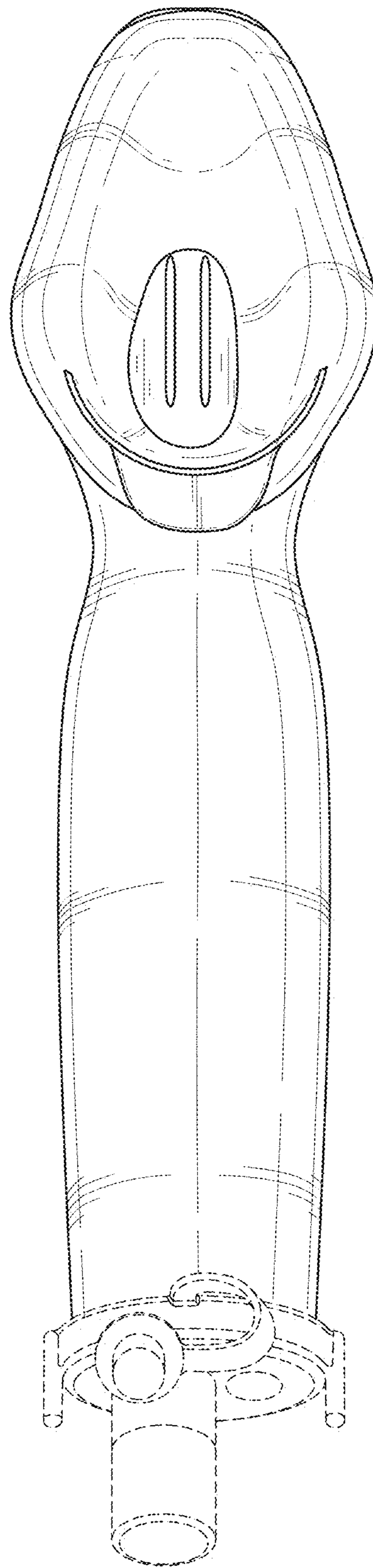


FIG. 4

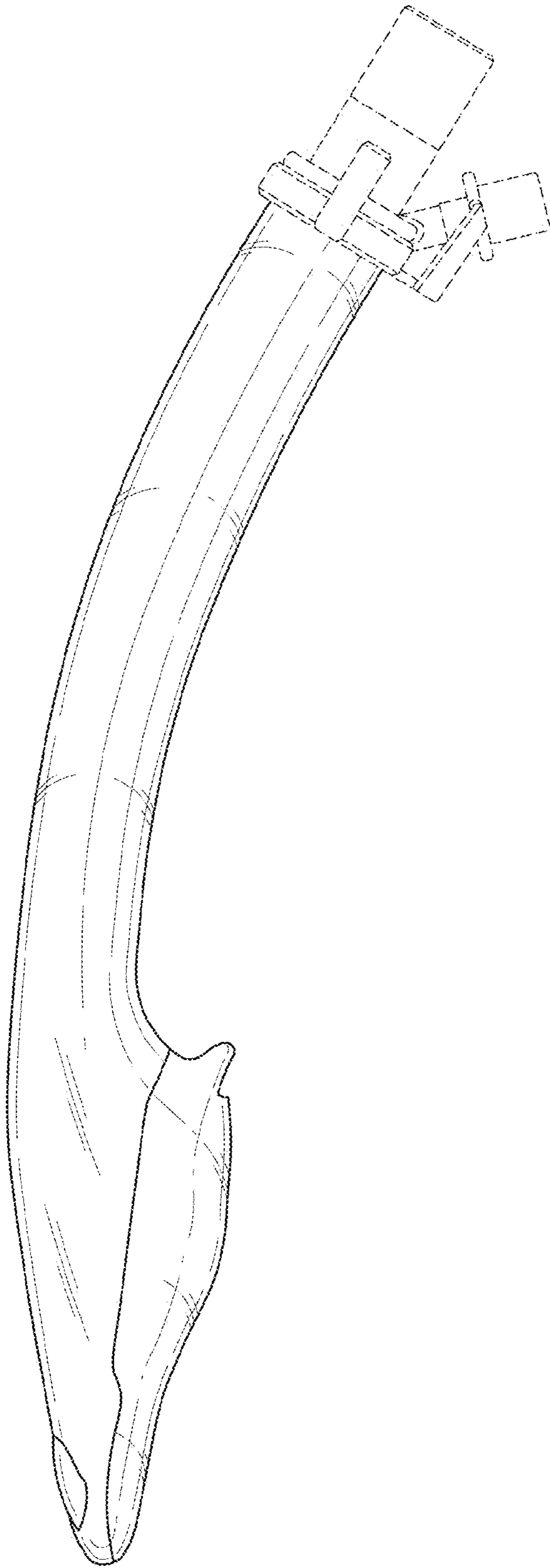


FIG. 5

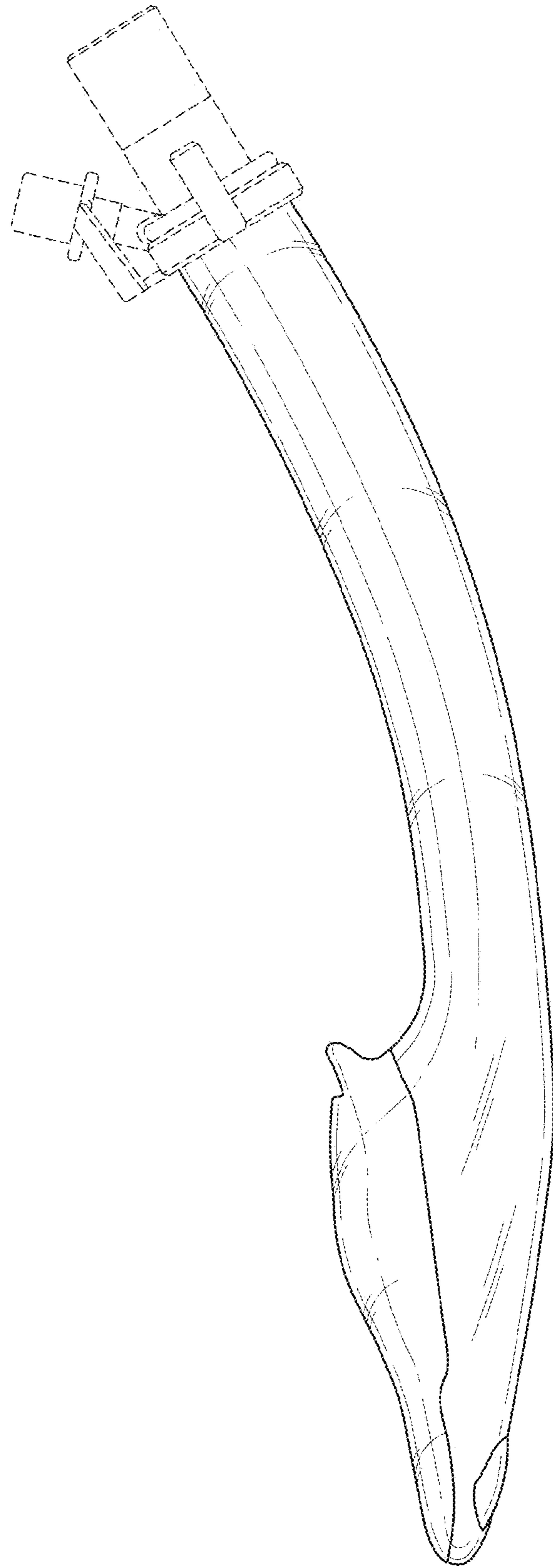


FIG. 6

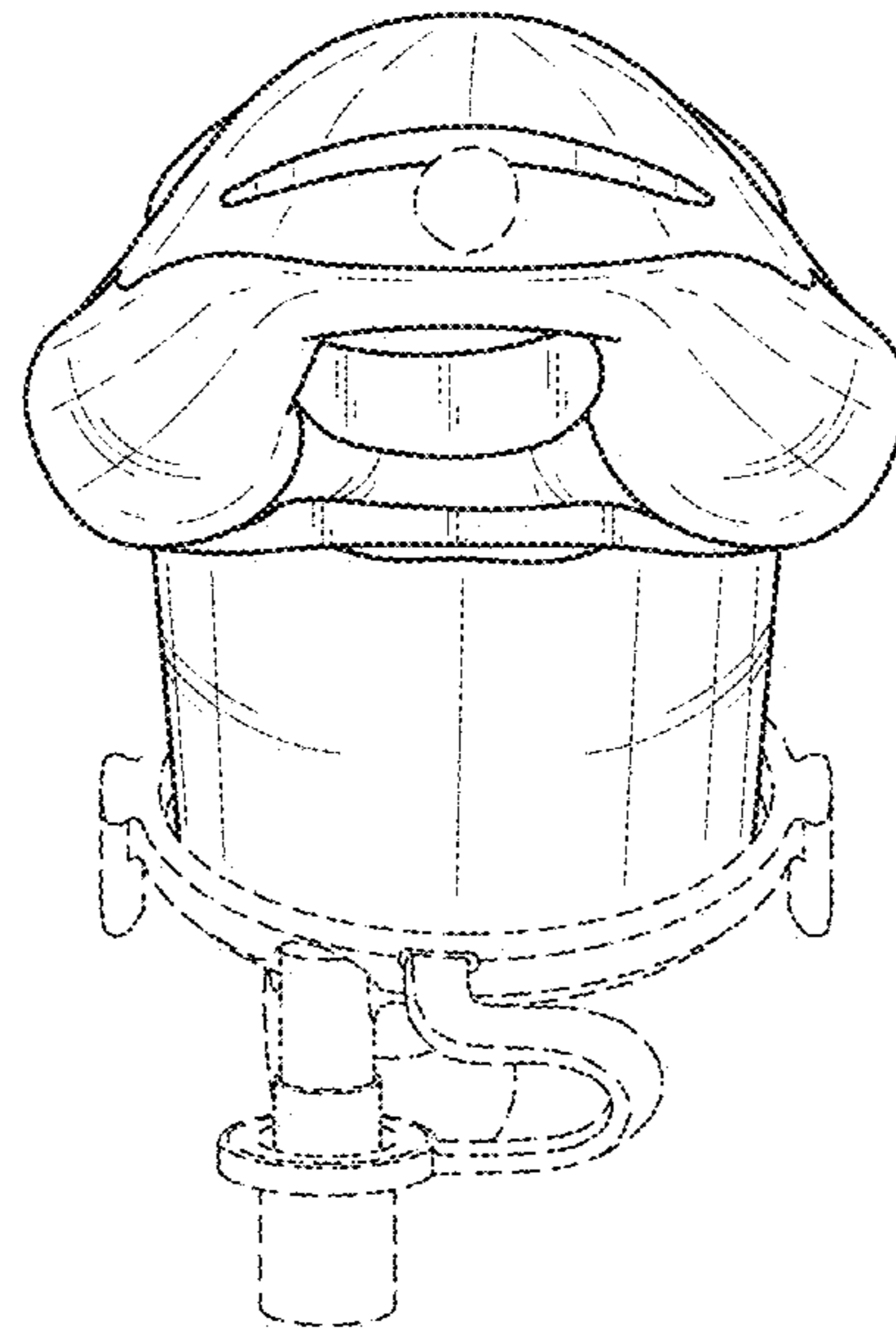


FIG. 7

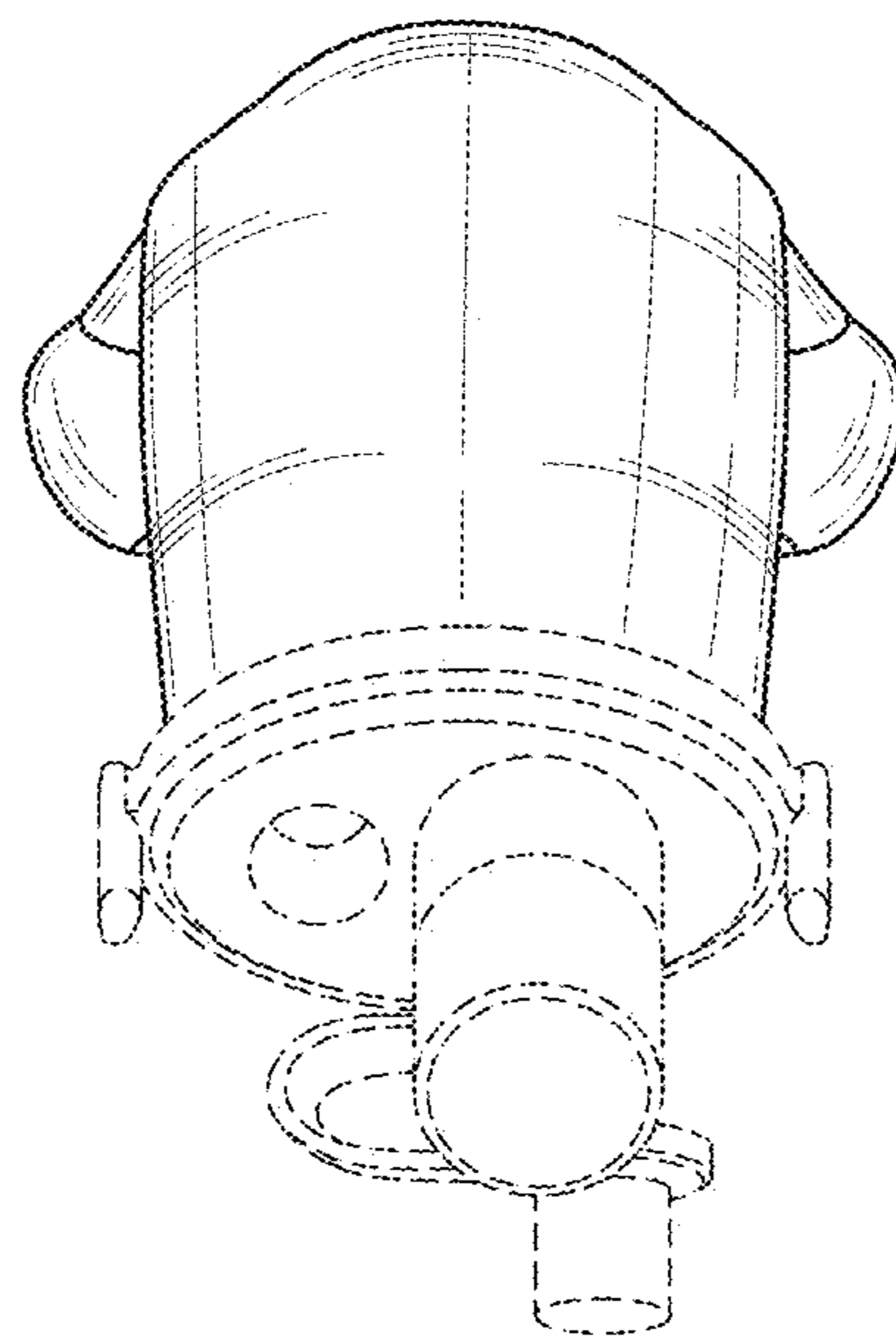


FIG. 8

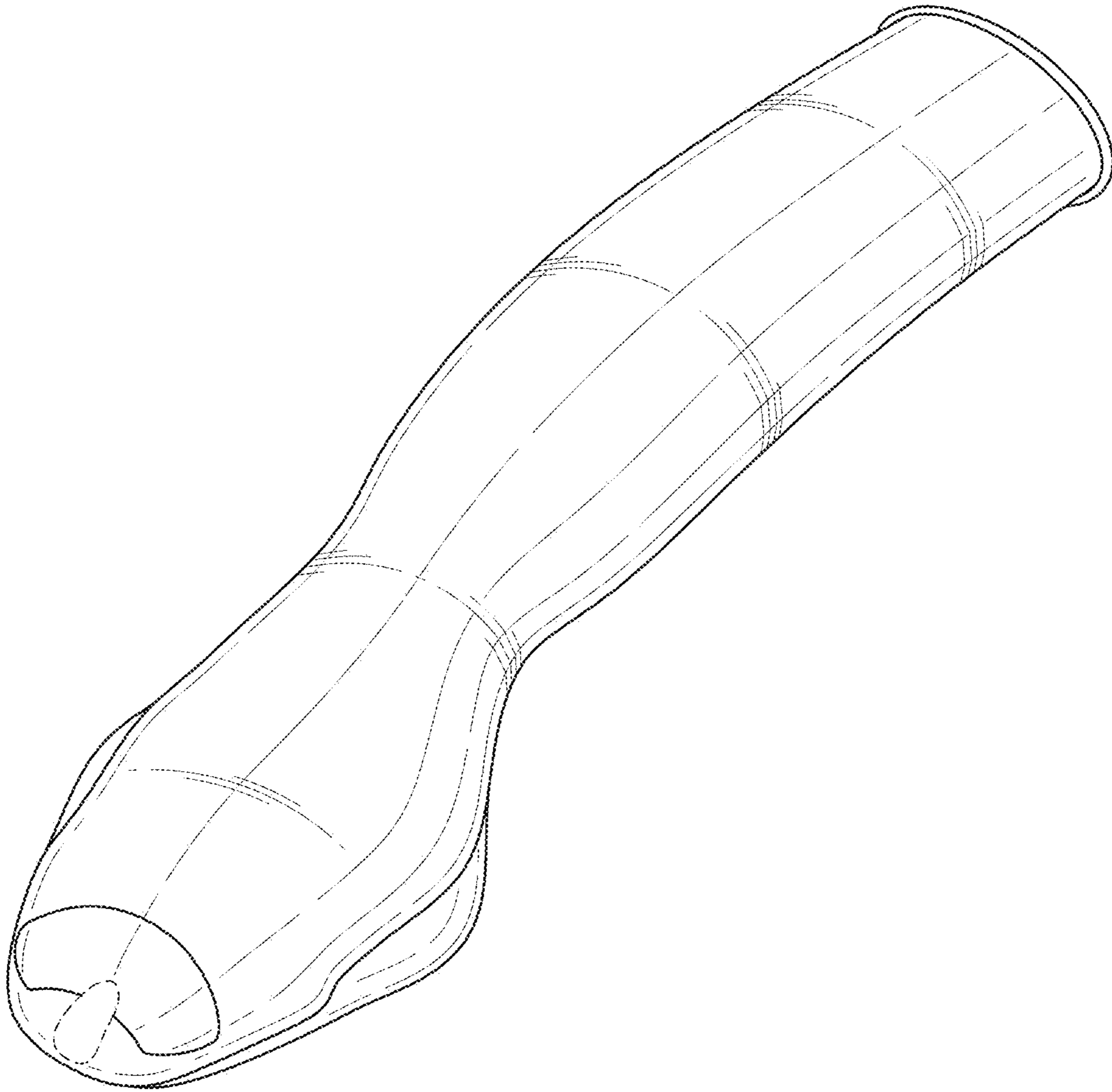


FIG. 9

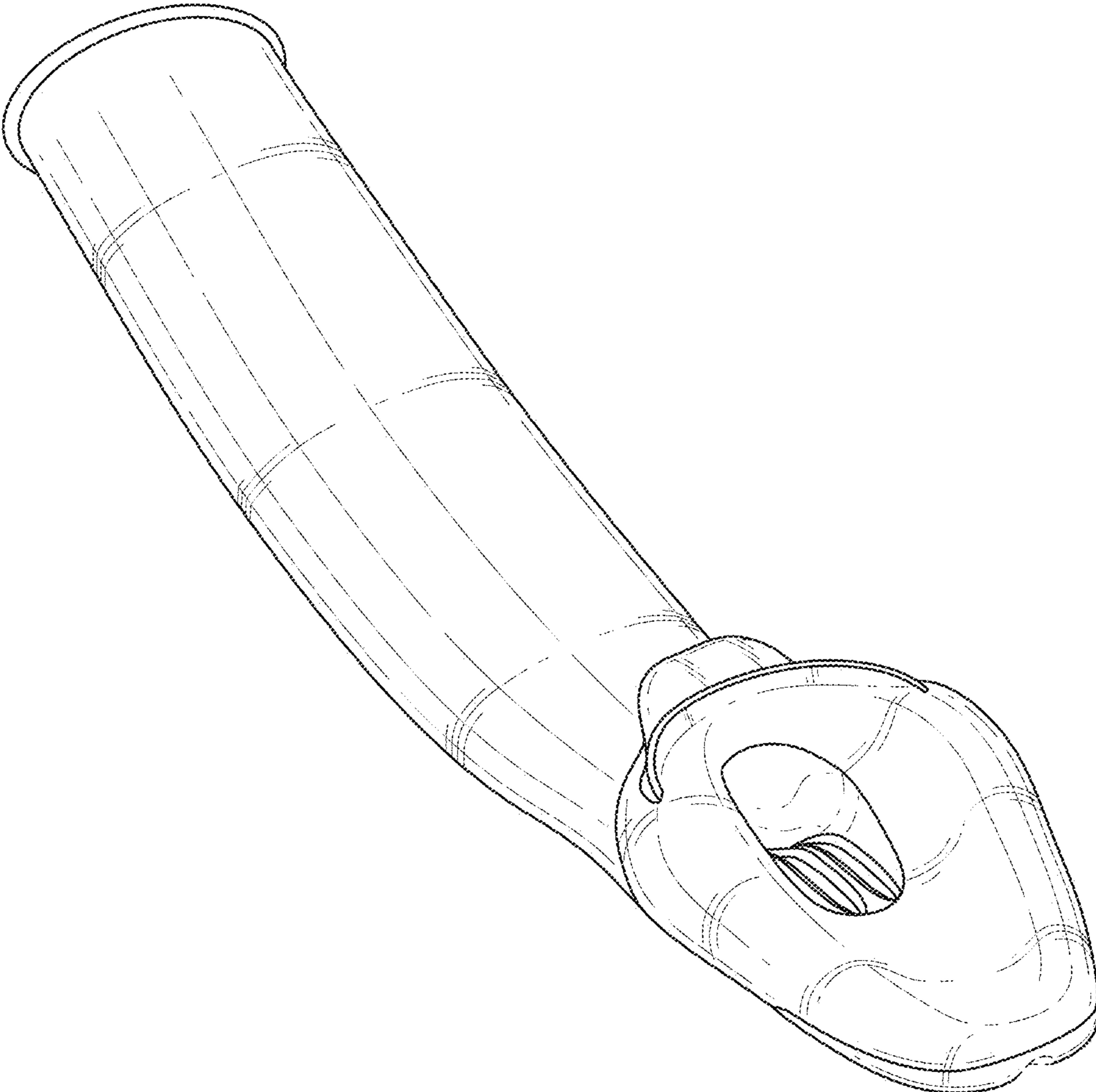


FIG. 10

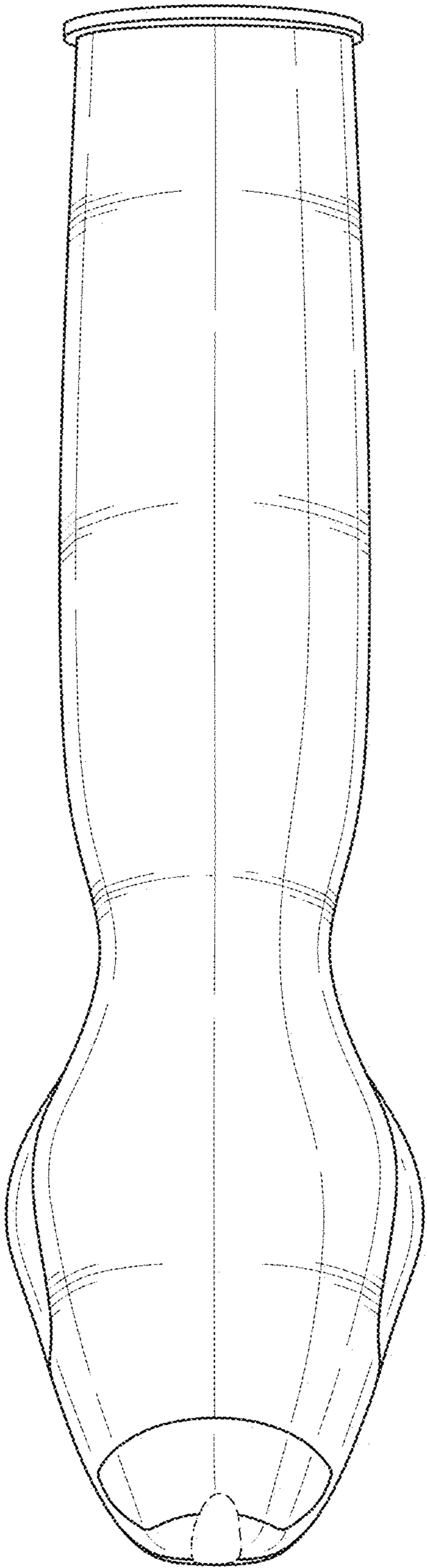


FIG. 11

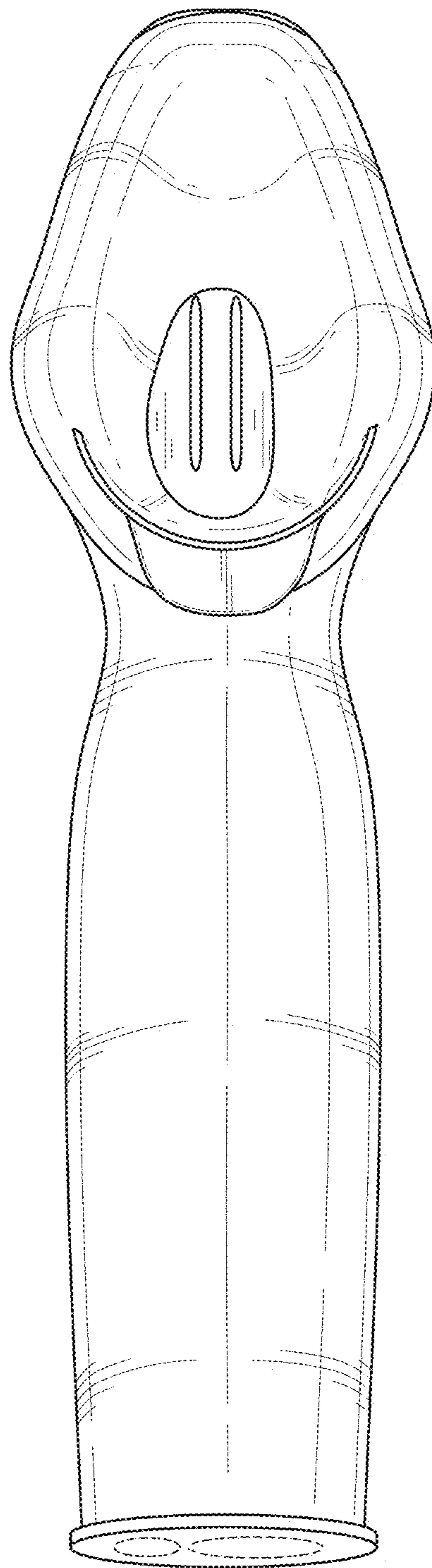


FIG. 12

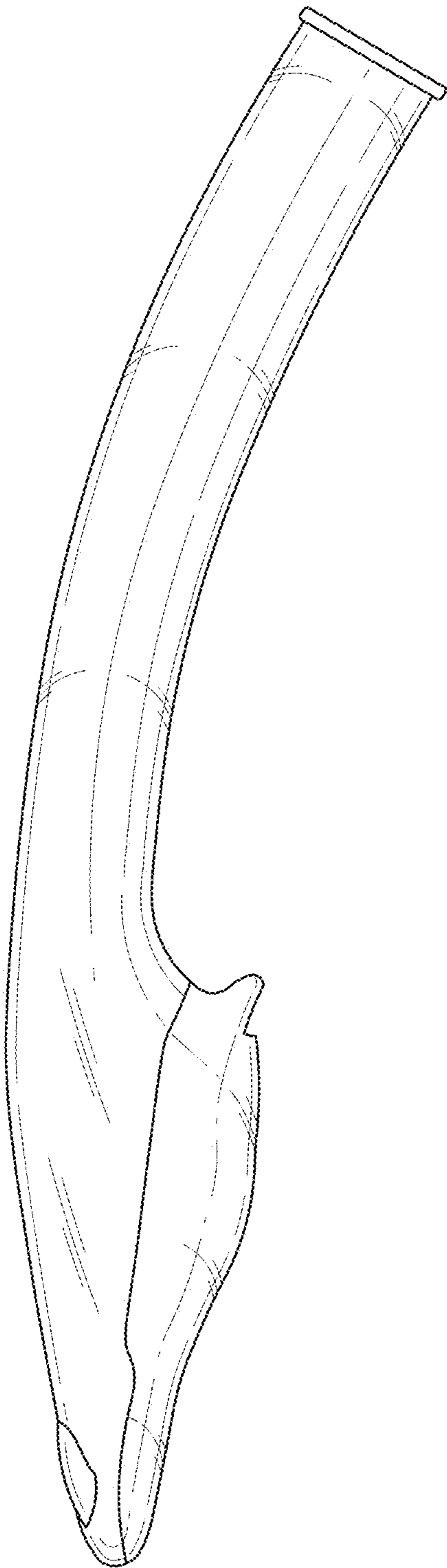


FIG. 13

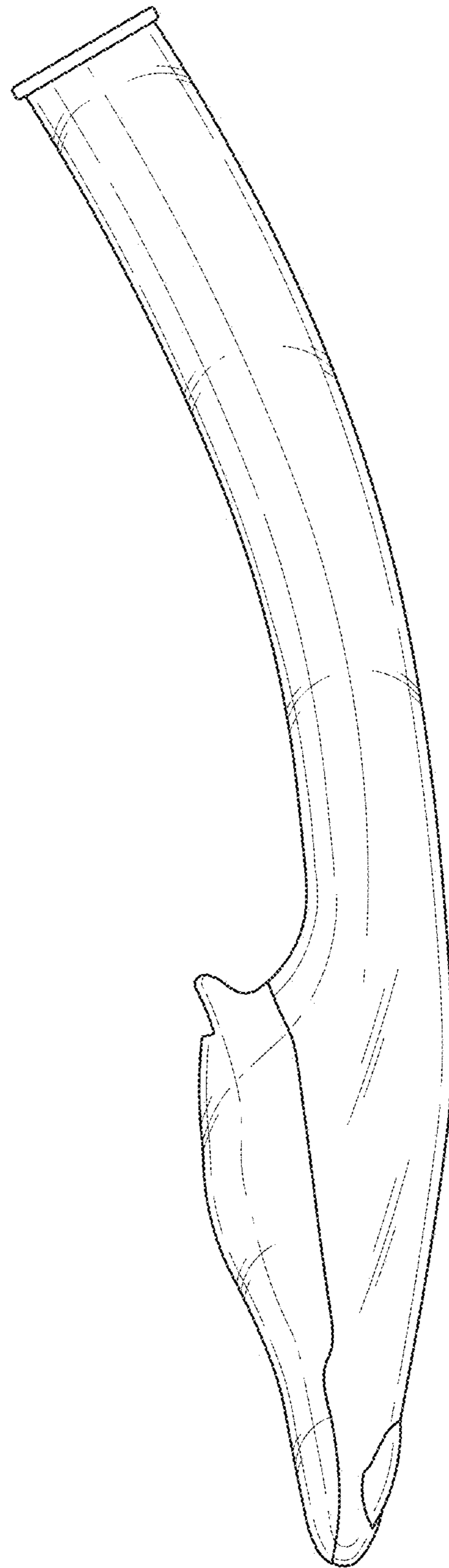


FIG. 14

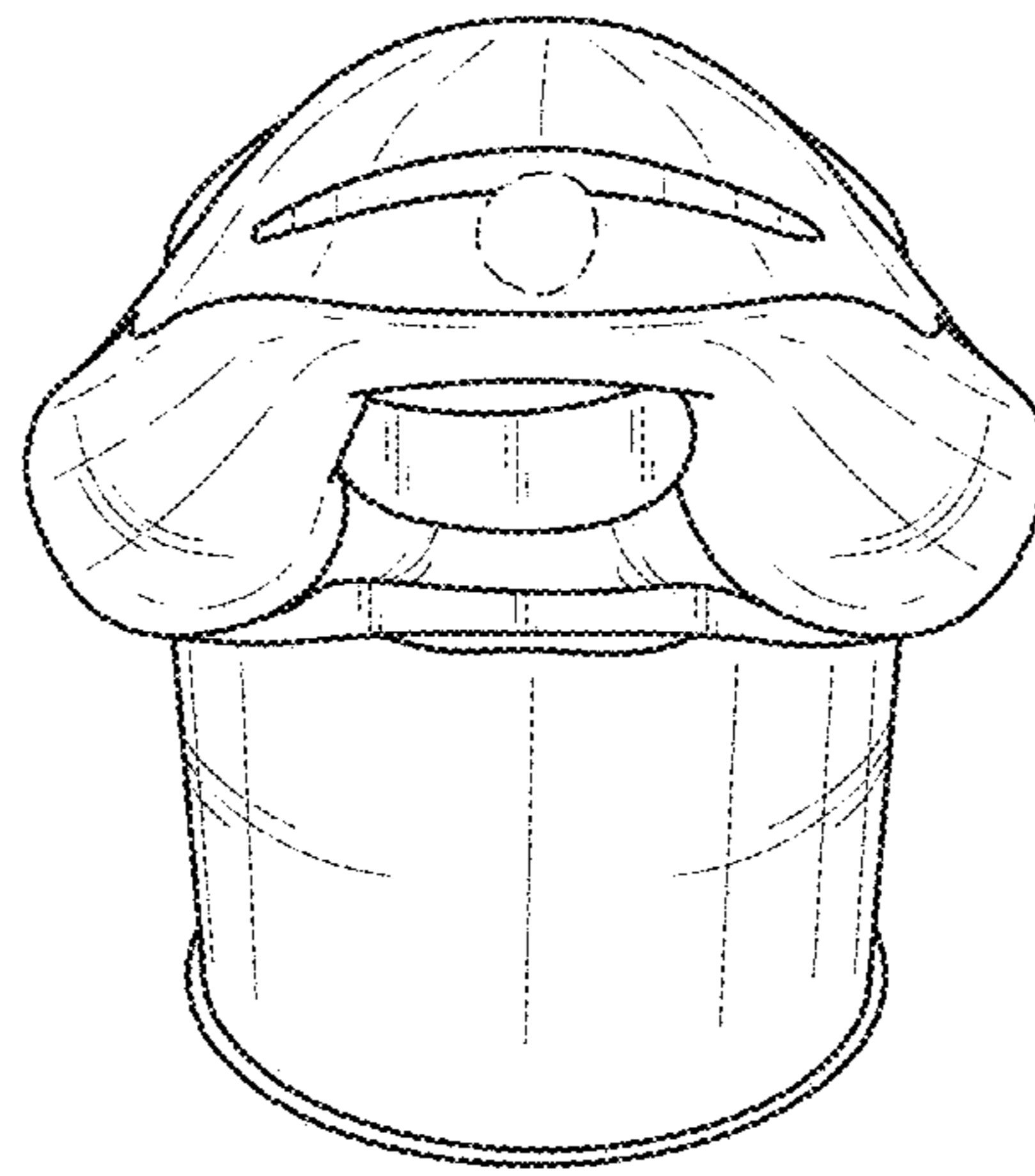


FIG. 15

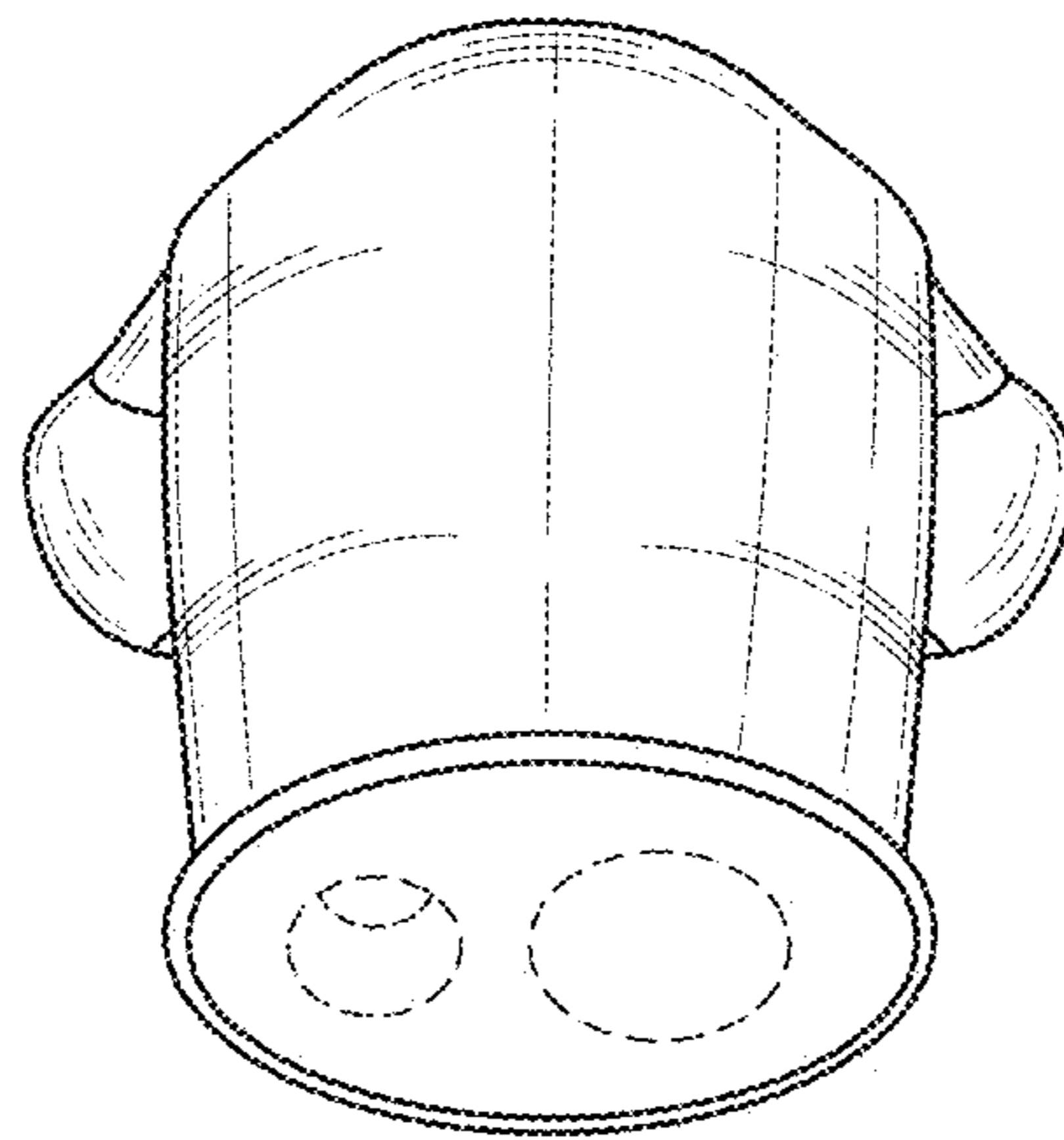


FIG. 16

UNITED STATES PATENT AND TRADEMARK OFFICE
CERTIFICATE OF CORRECTION

PATENT NO. : D877,888 S
APPLICATION NO. : 29/676952
DATED : March 10, 2020
INVENTOR(S) : Andrew Neil Miller, Jane Elizabeth Kemp and Muhammed Aslam Nasir

Page 1 of 1

It is certified that error appears in the above-identified patent and that said Letters Patent is hereby corrected as shown below:

On the Title Page

Item [30], should read:

July 8, 2019 (EM).....002719278

Signed and Sealed this
Thirtieth Day of March, 2021



Drew Hirshfeld
*Performing the Functions and Duties of the
Under Secretary of Commerce for Intellectual Property and
Director of the United States Patent and Trademark Office*

UNITED STATES PATENT AND TRADEMARK OFFICE
CERTIFICATE OF CORRECTION

PATENT NO. : D877,888 S
APPLICATION NO. : 29/676952
DATED : March 10, 2020
INVENTOR(S) : Andrew Neil Miller, Jane Elizabeth Kemp and Muhammed Aslam Nasir

Page 1 of 1

It is certified that error appears in the above-identified patent and that said Letters Patent is hereby corrected as shown below:

On the Title Page

Add, item (30):
(30) Foreign Application Priority Data
June 15, 2015 (EM).....002719278

This certificate supersedes the Certificate of Correction issued March 30, 2021.

Signed and Sealed this
Twelfth Day of April, 2022



Drew Hirshfeld
*Performing the Functions and Duties of the
Under Secretary of Commerce for Intellectual Property and
Director of the United States Patent and Trademark Office*