



US00D877886S

(12) **United States Design Patent**
Register et al.

(10) **Patent No.:** **US D877,886 S**
(45) **Date of Patent:** **** Mar. 10, 2020**

(54) **COMMUNICATION DEVICE FOR HARD PLASTIC MASKS**

(71) Applicant: **Ataia Inc.**, Roswell, GA (US)

(72) Inventors: **Tyler Andrew Register**, Roswell, GA (US); **Amber Nicole Jackson**, Raleigh, NC (US); **Amy Lynn Foertsch**, Dallas, TX (US)

(73) Assignee: **ATAIA INC.**, Roswell, GA (US)

(**) Term: **15 Years**

(21) Appl. No.: **29/699,450**

(22) Filed: **Jul. 25, 2019**

Related U.S. Application Data

(63) Continuation-in-part of application No. 16/161,914, filed on Oct. 16, 2018, which is a continuation of application No. 15/961,509, filed on Apr. 24, 2018, now Pat. No. 10,136,225.

(51) **LOC (12) Cl.** **29-02**

(52) **U.S. Cl.**
USPC **D24/110.1; D24/127; D14/225**

(58) **Field of Classification Search**
USPC **D24/107, 110.1, 127, 187; D14/225, D14/226, 217**
CPC **A62B 18/08; H04R 17/02; H04R 17/00**
See application file for complete search history.

(56) **References Cited**

U.S. PATENT DOCUMENTS

- 2,702,354 A * 2/1955 Chorpeneing H04R 1/46
310/331
- 3,180,333 A * 4/1965 Lewis A62B 18/08
128/201.19
- D243,476 S * 2/1977 Avery D24/187
- 4,374,301 A * 2/1983 Frieder, Jr. H04M 1/05
379/430

- 4,607,383 A * 8/1986 Ingalls H04R 1/14
381/113
 - 4,718,415 A * 1/1988 Bolnberger H04R 1/083
128/201.19
 - 4,736,740 A * 4/1988 Parker A62B 18/08
128/201.19
 - 4,799,263 A 1/1989 Banzinger et al.
 - D361,619 S * 8/1995 Phleps D24/158
 - 5,572,990 A 11/1996 Berlin
- (Continued)

OTHER PUBLICATIONS

SPEAX. Ataia Medical. Date accessed: Oct. 18, 2019. Retrieved from Internet: <https://www.ataiamedical.com> (Year: 2019).*

(Continued)

Primary Examiner — Lilyana Bekic

(74) *Attorney, Agent, or Firm* — Morris, Manning & Martin, LLP; Bryan D. Stewart, Esq.; Adam J. Thompson, Esq.

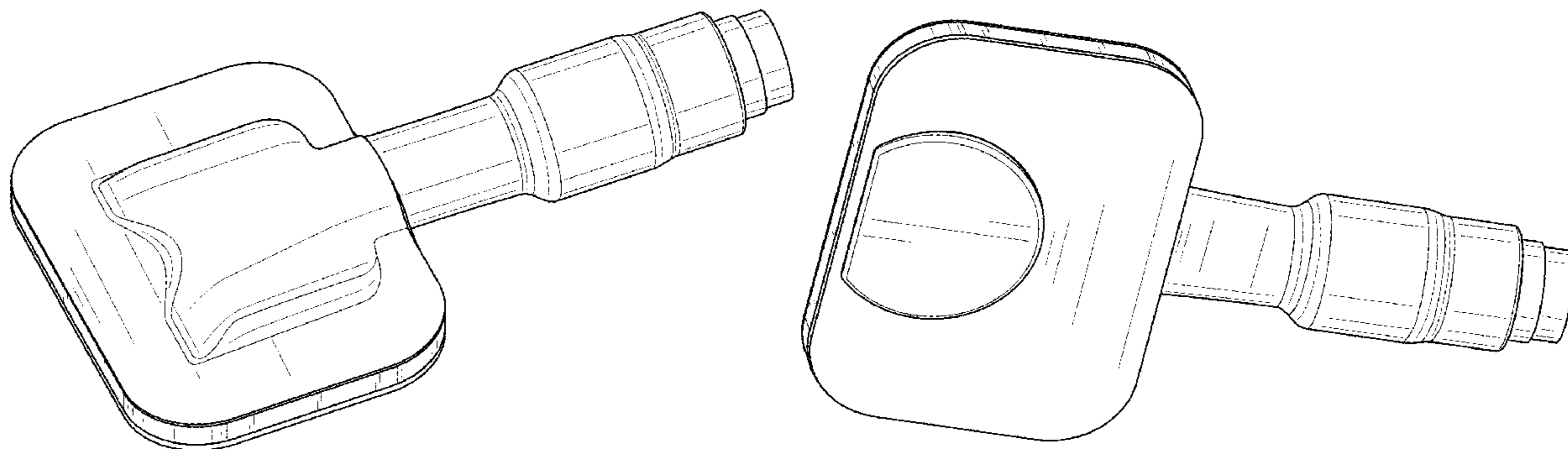
(57) **CLAIM**

The ornamental design for a communication device for hard plastic masks, as shown and described.

DESCRIPTION

FIG. 1 is a top perspective view of a communication device for hard plastic masks;
 FIG. 2 is a bottom perspective view thereof;
 FIG. 3 is a front view thereof;
 FIG. 4 is a rear view thereof;
 FIG. 5 is a top view thereof;
 FIG. 6 is a bottom view thereof; and,
 FIG. 7 is a right side view thereof, the left side being a mirror image of the right side.
 The broken lines shown in the drawings illustrate portions of the communication device for hard plastic masks that form no part of the claimed design.

1 Claim, 7 Drawing Sheets



(56)

References Cited

U.S. PATENT DOCUMENTS

D378,614 S * 3/1997 Jensen D24/187
 D385,037 S * 10/1997 Jensen D24/187
 5,845,636 A 12/1998 Gruenke et al.
 D478,666 S * 8/2003 Cianciosi D24/158
 D504,722 S * 5/2005 Cianciosi D24/158
 D511,004 S * 10/2005 Masuda D24/187
 D511,384 S * 11/2005 Masuda D24/187
 6,997,178 B1 * 2/2006 Reynaud A62B 18/08
 128/201.19
 D665,085 S * 8/2012 Strother D24/187
 D787,684 S * 5/2017 Vezina D24/187
 D827,837 S * 9/2018 Pascal D24/186
 2003/0224838 A1 * 12/2003 Skillicorn H04R 1/083
 455/575.2
 2007/0003096 A1 1/2007 Nam
 2009/0060169 A1 * 3/2009 Manne H04M 1/05
 379/430
 2011/0290256 A1 12/2011 Sather
 2011/0299713 A1 12/2011 Moller et al.

2012/0055471 A1 3/2012 Hadas et al.
 2014/0216447 A1 * 8/2014 Kihlberg A62B 18/08
 128/201.19
 2015/0312664 A1 * 10/2015 Contreras Hernandez
 A62B 18/08
 381/361
 2016/0001110 A1 1/2016 Hamilton
 2016/0057618 A1 * 2/2016 Shorr H04W 12/02
 455/569.1
 2016/0127841 A1 5/2016 Horii
 2017/0326388 A1 * 11/2017 Ferguson A62B 18/003
 2017/0368383 A1 * 12/2017 Riccio A61M 16/021
 2018/0116863 A1 5/2018 Shah et al.
 2019/0039702 A1 * 2/2019 Gamberini B63C 11/12

OTHER PUBLICATIONS

International Search Report dated Jul. 20, 2018 for international patent application No. PCT/US18/29158.

* cited by examiner

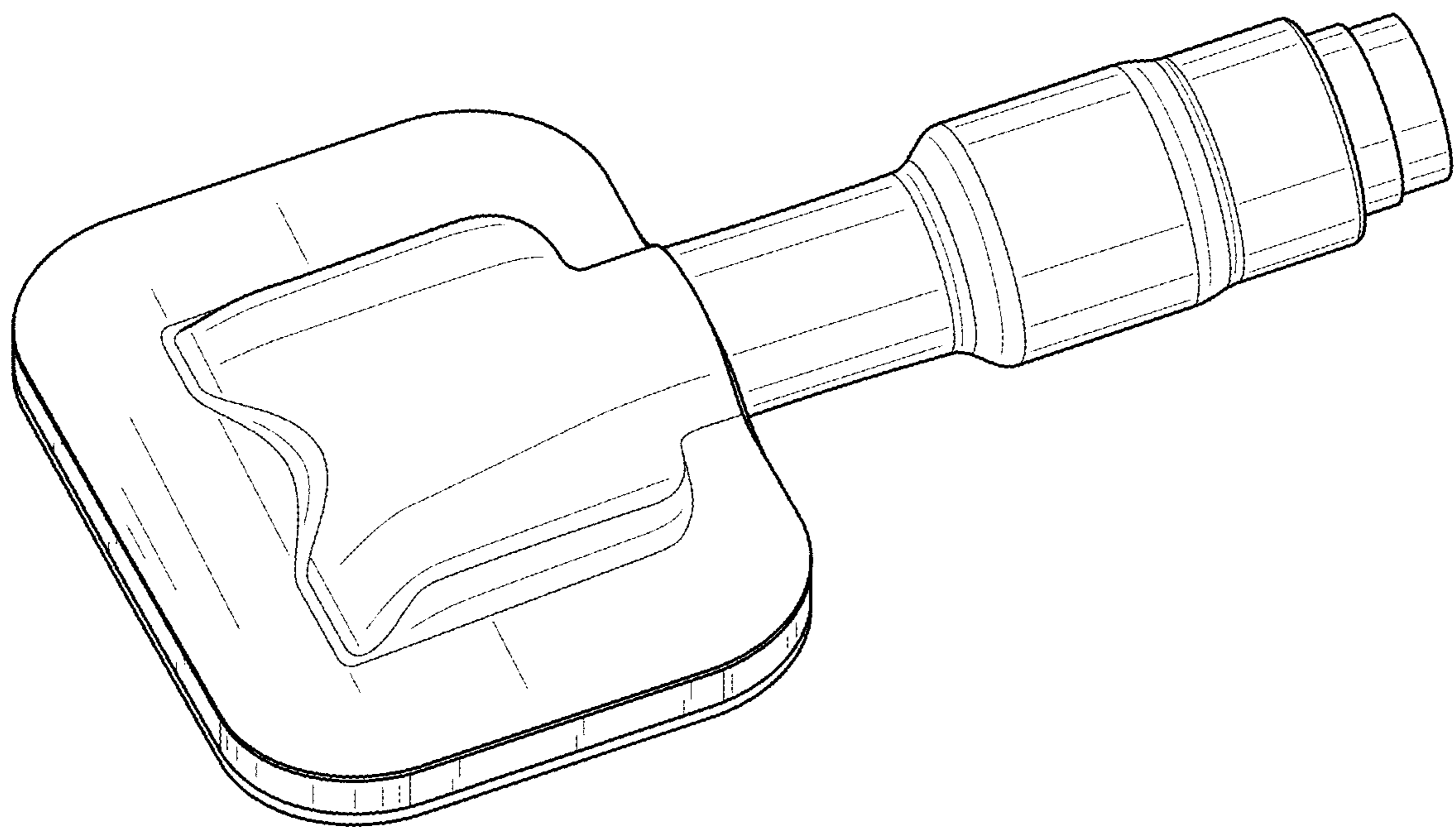


FIG. 1

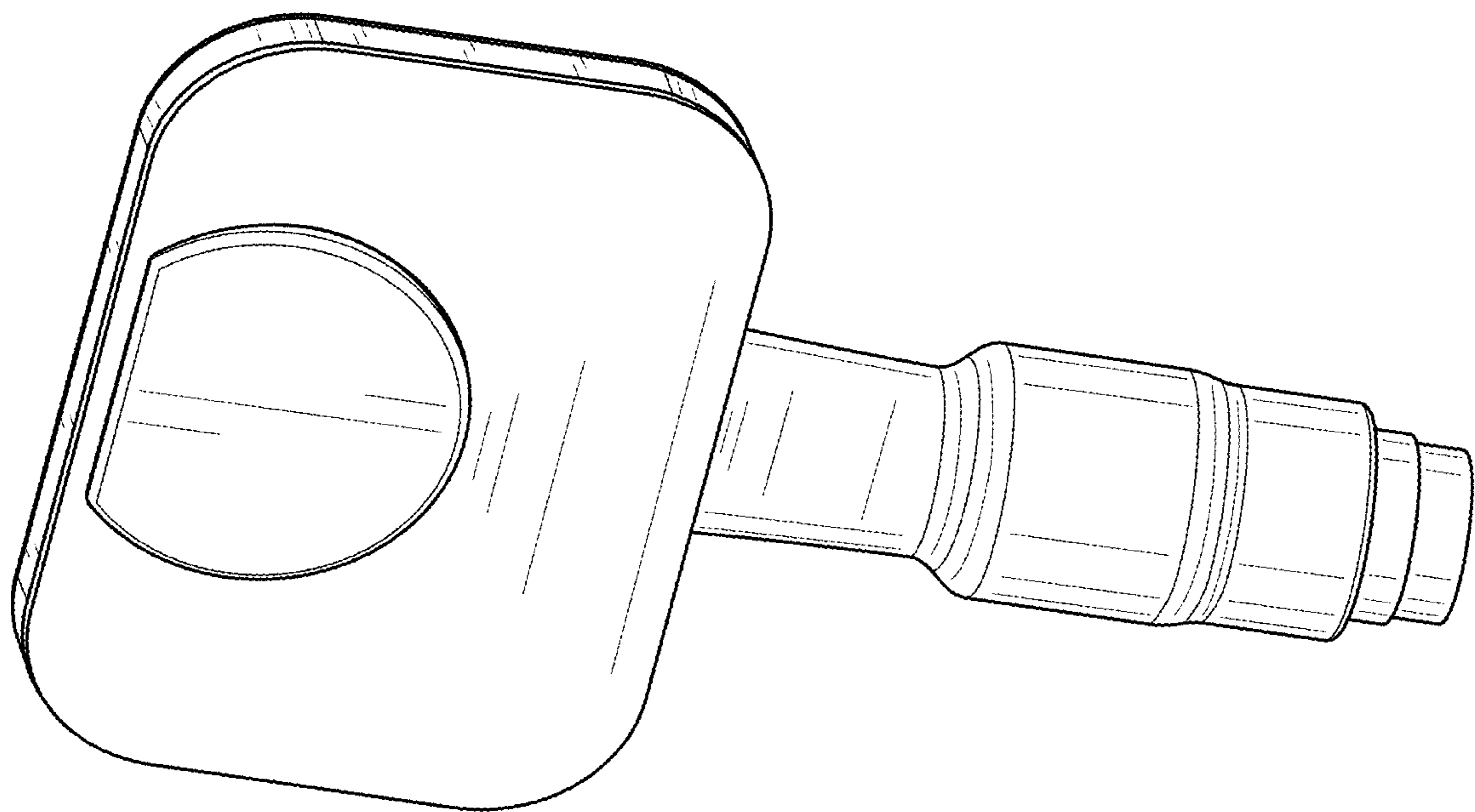


FIG. 2

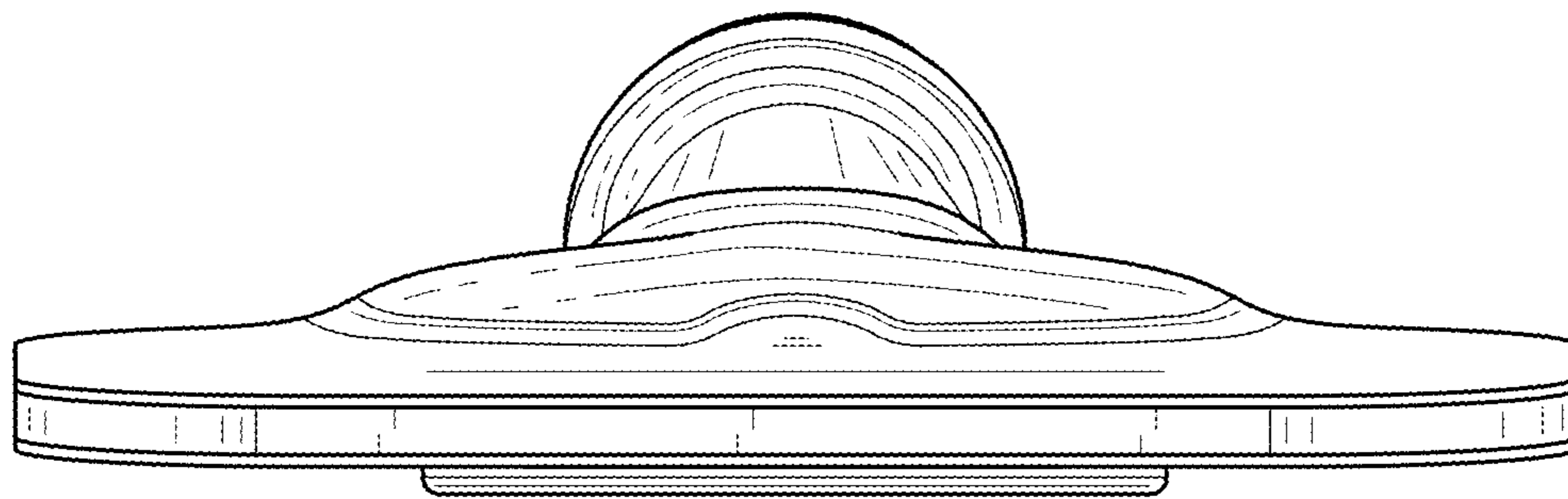


FIG. 3

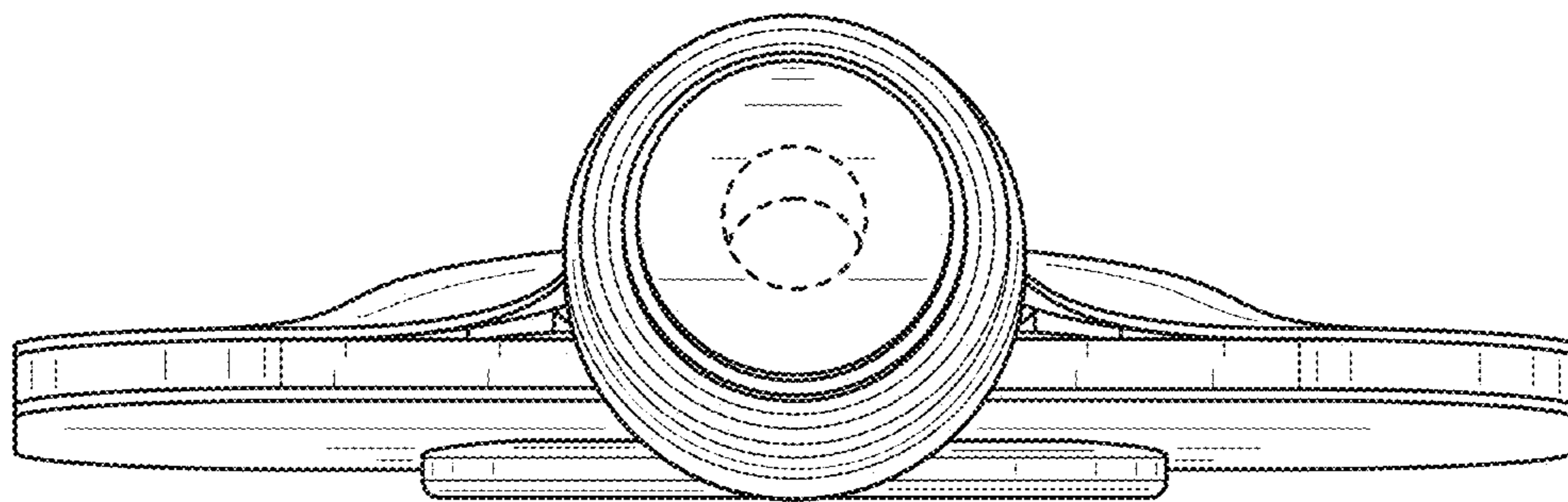


FIG. 4

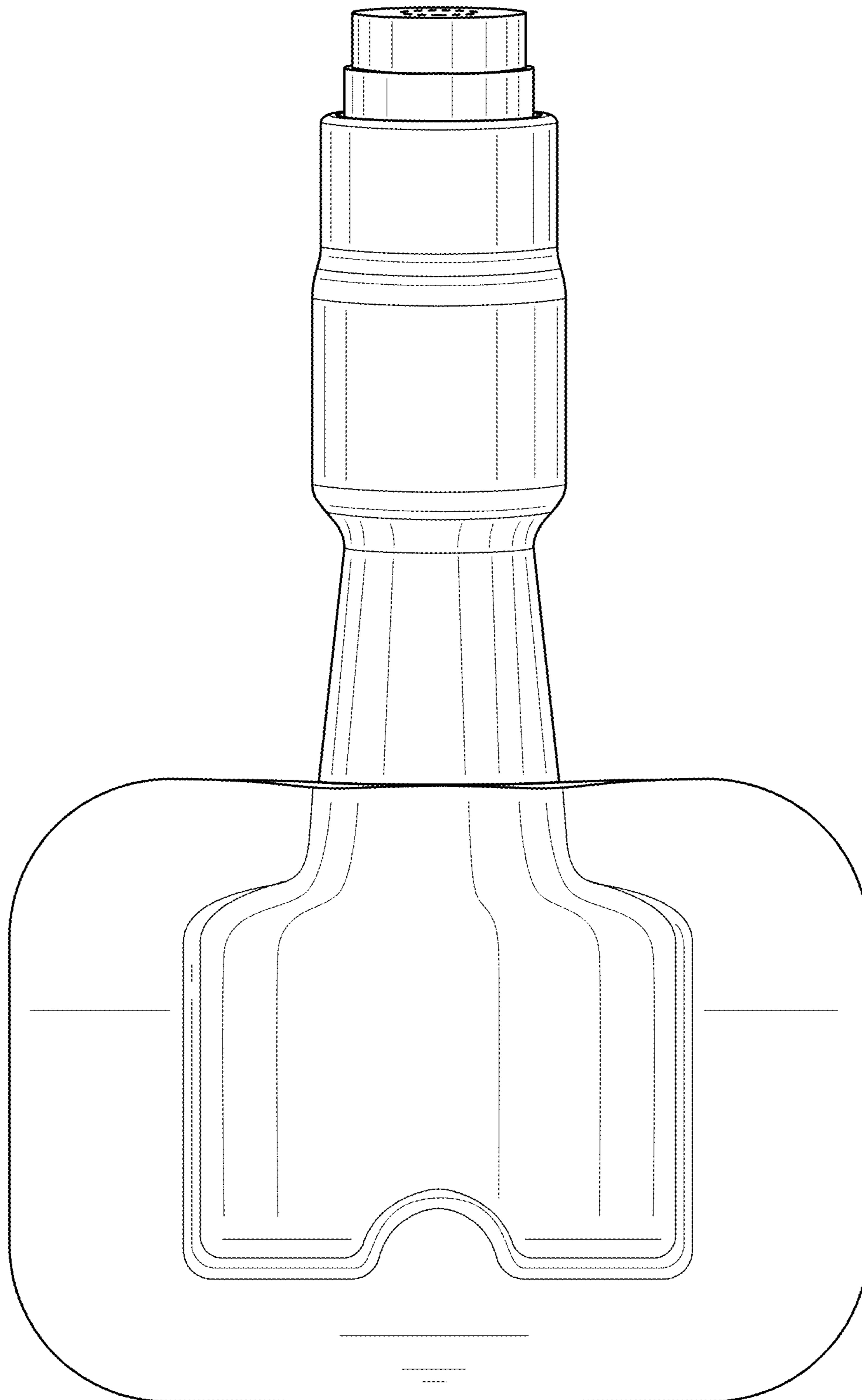


FIG. 5

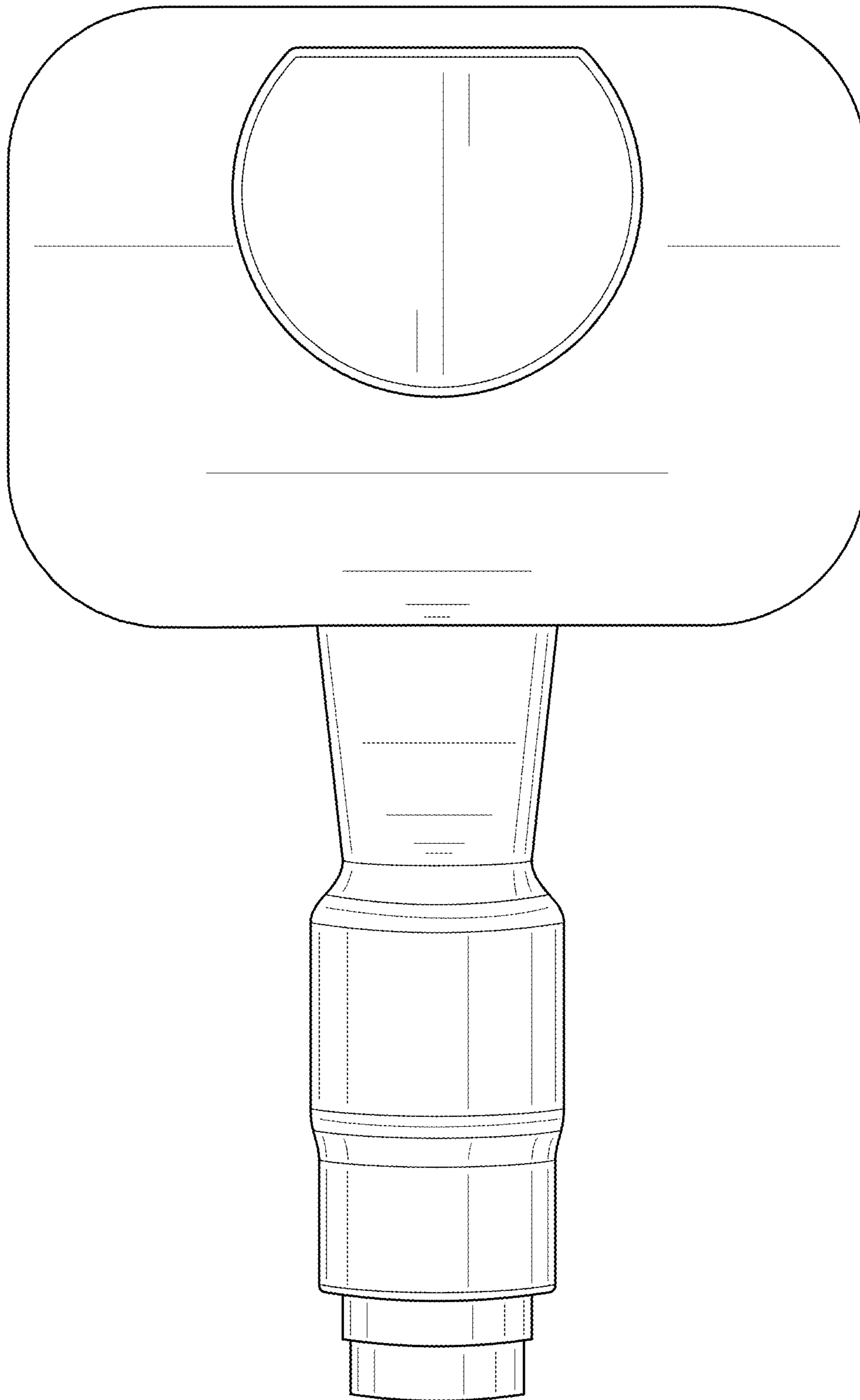


FIG. 6

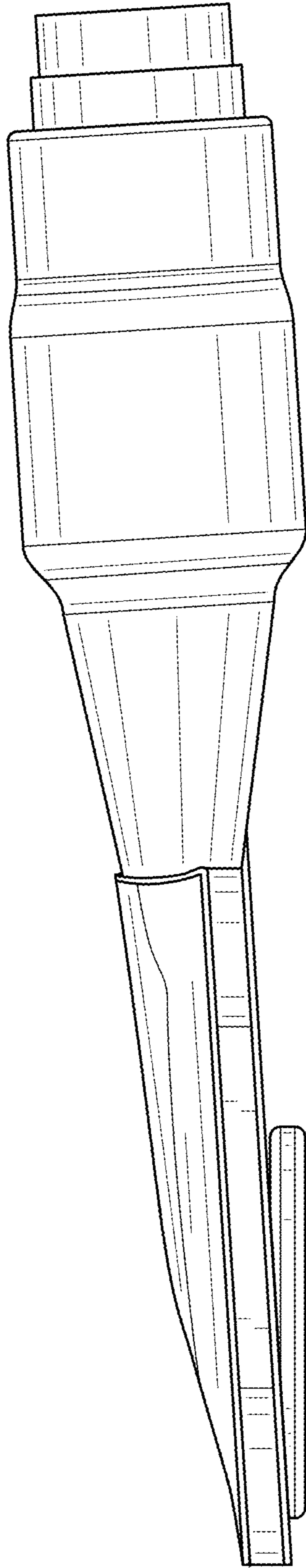


FIG. 7