

US00D877883S

(12) **United States Design Patent**
Schulzman

(10) **Patent No.:** **US D877,883 S**
(45) **Date of Patent:** **** Mar. 10, 2020**

(54) **CEILING FAN BLADE WITH BLADE IRON**

(71) Applicant: **Minka Lighting, Inc.**, Corona, CA
(US)

(72) Inventor: **Kurt Schulzman**, Long Beach, CA
(US)

(73) Assignee: **Minka Lighting, Inc.**, Corona, CA
(US)

(**) Term: **15 Years**

(21) Appl. No.: **29/650,097**

(22) Filed: **Jun. 4, 2018**

Related U.S. Application Data

(63) Continuation-in-part of application No. 29/590,077,
filed on Jan. 6, 2017, now abandoned.

(51) **LOC (12) Cl.** **23-04**

(52) **U.S. Cl.**
USPC **D23/413**

(58) **Field of Classification Search**
USPC ... D26/59, 24, 118, 119, 121-124, 128-137;
D23/370, 377-385, 411-414
CPC F04D 25/088; F04D 29/38; F21V 21/03;
B63H 1/16
See application file for complete search history.

(56) **References Cited**

U.S. PATENT DOCUMENTS

5,645,403 A * 7/1997 Bogage F04D 29/38
416/235
D503,474 S * 3/2005 Tai D23/413
D516,208 S * 2/2006 Tai D23/413
D517,689 S * 3/2006 Tai D23/413
D580,044 S * 11/2008 Ertze D23/413
D580,045 S * 11/2008 Orozco D23/413
D607,988 S * 1/2010 Oleson D23/377

8,753,081 B2 * 6/2014 Aynsley F04D 25/088
416/236 R
D715,917 S * 10/2014 Hidalgo D23/377
D717,935 S * 11/2014 Strecker D23/377
D726,299 S * 4/2015 Schulzman D23/413
D744,084 S * 11/2015 Wang D23/413
D745,658 S * 12/2015 Wang D23/413
D750,221 S * 2/2016 Schulzman D23/413
D789,510 S * 6/2017 Wang D23/377
D797,274 S * 9/2017 Wang D23/411
D801,516 S * 10/2017 Wang D23/413
D820,971 S * 6/2018 Hagggar D23/413
D832,990 S * 11/2018 Schulzman D23/377
D834,174 S * 11/2018 Fuselier D23/413
D834,696 S * 11/2018 Schulzman D23/377
D859,630 S * 9/2019 Puerto D23/385
D860,429 S * 9/2019 Orozco D23/377
2009/0208333 A1 * 8/2009 Smith F04D 25/088
416/5
2010/0278637 A1 * 11/2010 Oleson F04D 25/088
415/121.3

* cited by examiner

Primary Examiner — Janice Hallmark

(74) *Attorney, Agent, or Firm* — Seyfarth Shaw LLP

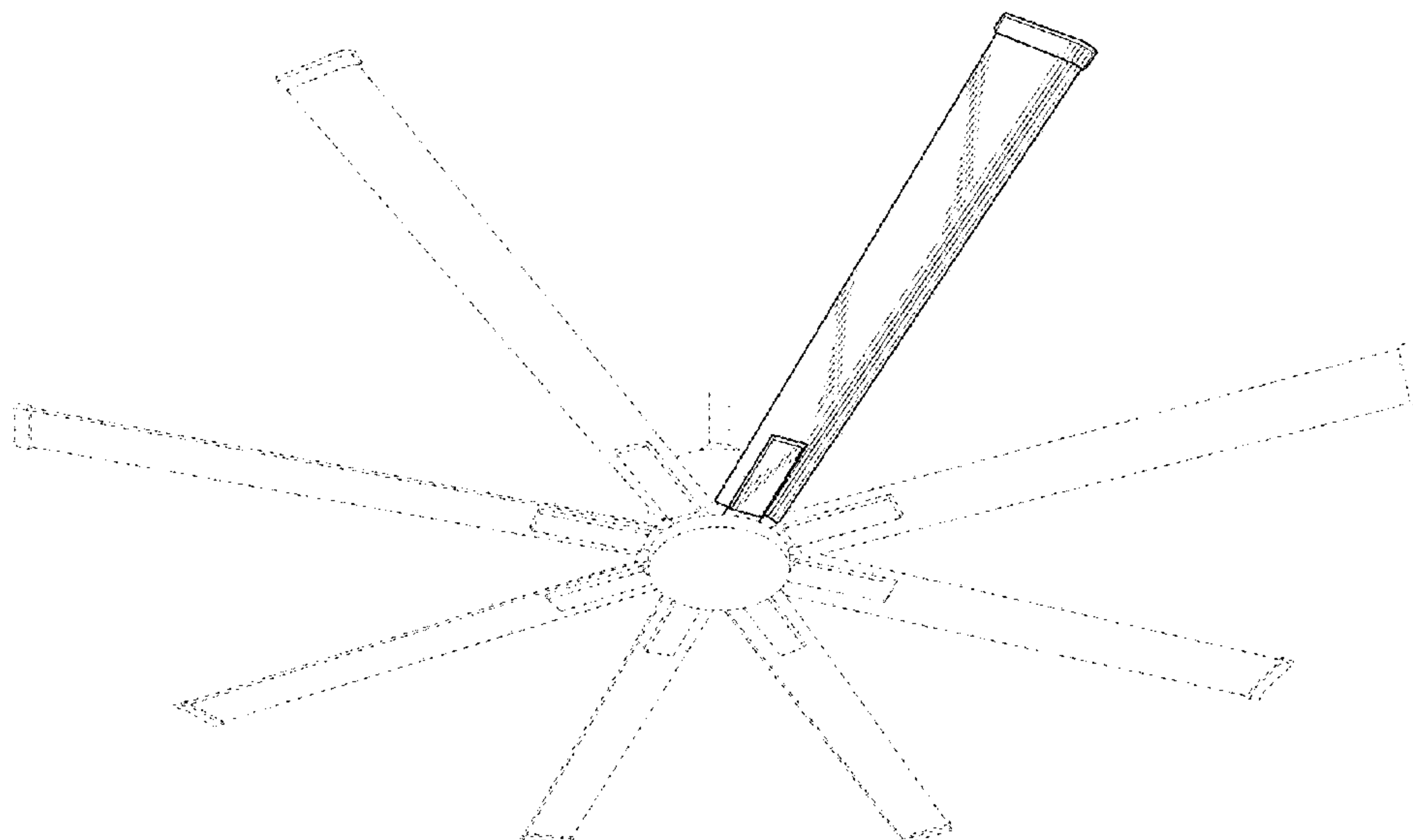
(57) **CLAIM**

The ornamental design for a ceiling fan blade with blade iron, as shown and described.

DESCRIPTION

FIG. 1 is a perspective view of a ceiling fan blade with blade iron in accordance with my design;
FIG. 2 is a top plan view thereof;
FIG. 3 is a bottom plan view thereof;
FIG. 4 is a left elevation view thereof;
FIG. 5 is a right elevation view thereof;
FIG. 6 is a front elevation view thereof; and,
FIG. 7 is a rear elevation view thereof.
The broken lines in the drawings illustrate portions of the ceiling fan that form no part of the claimed design.

1 Claim, 2 Drawing Sheets



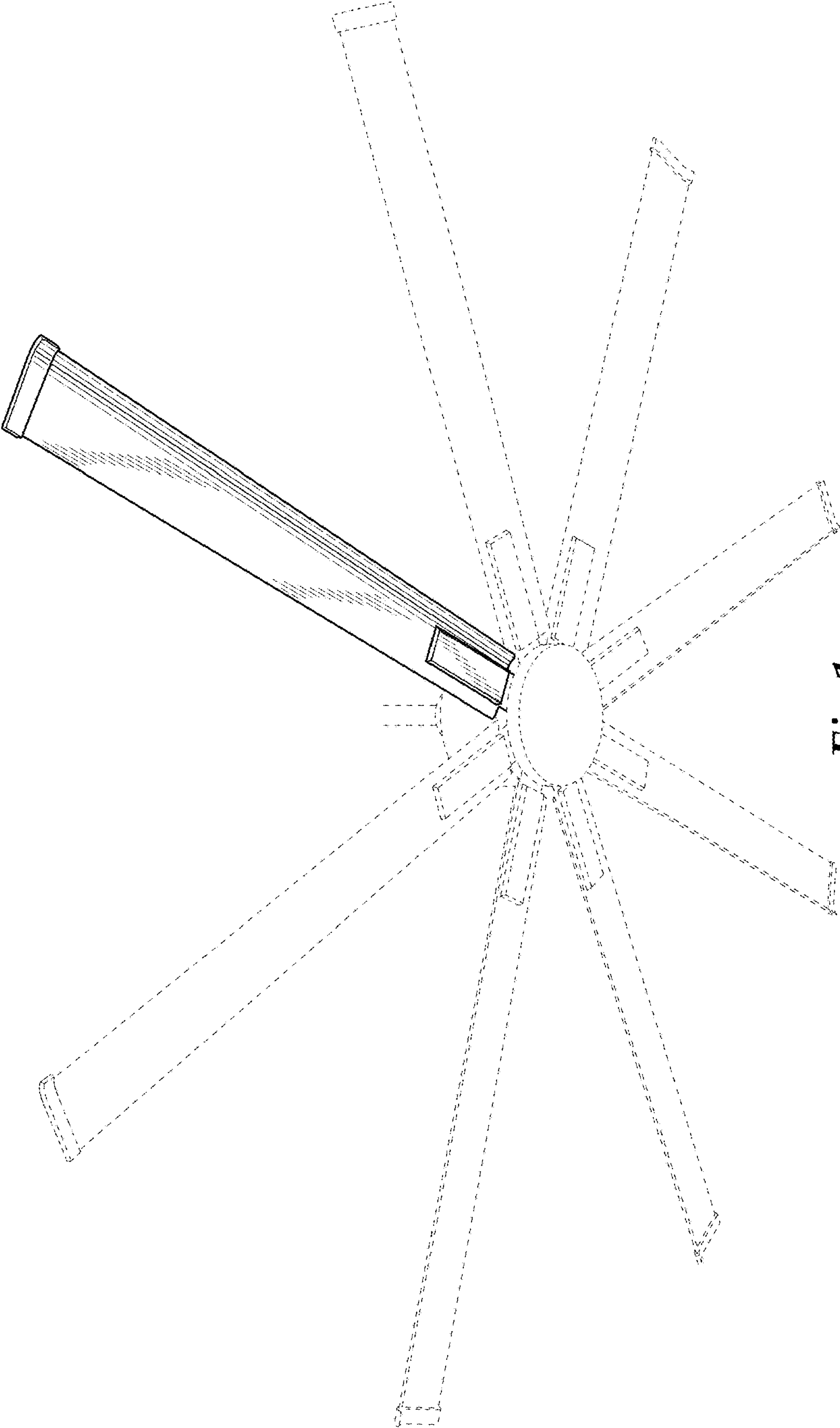


Fig.1

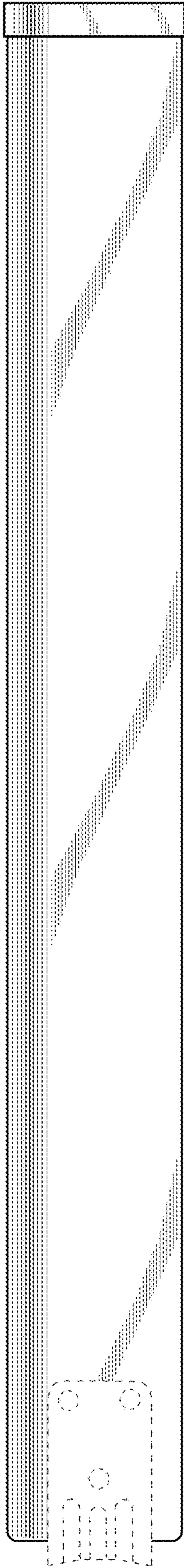


Fig. 2

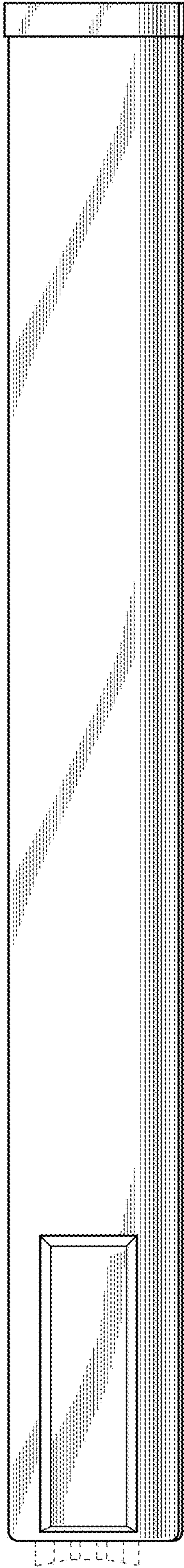


Fig. 3



Fig. 4



Fig. 5



Fig. 6

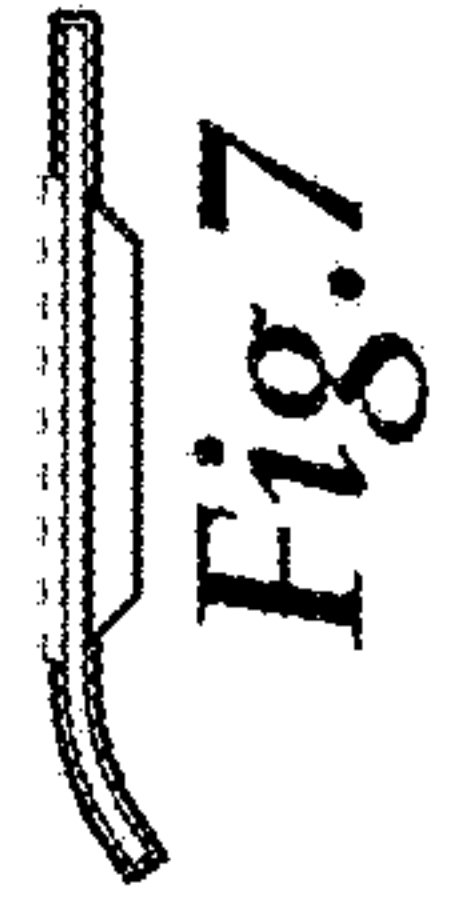


Fig. 7