



US00D877882S

(12) **United States Design Patent**
Holmes

(10) **Patent No.:** **US D877,882 S**
(45) **Date of Patent:** **** Mar. 10, 2020**

(54) **CEILING FAN MOTOR HOUSING AND LIGHT KIT**

D509,295 S 9/2005 Stauffer et al.
D516,696 S 3/2006 Chen
D543,617 S 5/2007 Liu

(71) Applicant: **HUNTER FAN COMPANY**,
Memphis, TN (US)

(Continued)

(72) Inventor: **Christine Holmes**, Memphis, TN (US)

OTHER PUBLICATIONS

(73) Assignee: **Hunter Fan Company**, Memphis, TN (US)

<http://www.quoruminternational.com/index.cfm/app/productDetail?product=20543-965>, Item Specification for Quorium International Ceiling Fan 20543-965 Stn—Satin Nickel Ceiling Fan (2) 40W C Satin Nickel blades, accessed Dec. 4, 2015.

(**) Term: **15 Years**

(Continued)

(21) Appl. No.: **29/629,178**

Primary Examiner — Janice Hallmark

(22) Filed: **Dec. 12, 2017**

(74) *Attorney, Agent, or Firm* — McGarry Bair PC

(57) **CLAIM**

Related U.S. Application Data

The ornamental design for a ceiling fan motor housing and light kit, as shown and described.

(60) Continuation of application No. 29/611,607, filed on Jul. 24, 2017, now Pat. No. Des. 810,271, which is a division of application No. 29/547,576, filed on Dec. 4, 2015, now Pat. No. Des. 799,661.

DESCRIPTION

(51) **LOC (12) Cl.** **23-04**
(52) **U.S. Cl.**
USPC **D23/411**

(58) **Field of Classification Search**
USPC ... D26/59, 24, 118, 119, 121–124, 128–137;
D23/370, 377–382, 411–414
CPC F04D 25/088; F04D 29/38; F21V 21/03;
B63H 1/16

See application file for complete search history.

FIG. 1 is a top perspective view of a first embodiment of a ceiling fan motor housing and light kit in the environment of a ceiling fan;
FIG. 2 is a bottom perspective view of the ceiling fan motor housing and light kit of FIG. 1;
FIG. 3 is a rear view of the ceiling fan motor housing and light kit of FIG. 1;
FIG. 4 is a front view of the ceiling fan motor housing and light kit of FIG. 1;
FIG. 5 is a right side view of the ceiling fan motor housing and light kit of FIG. 1;
FIG. 6 is a left side view of the ceiling fan motor housing and light kit of FIG. 1;
FIG. 7 is a top view of the ceiling fan motor housing and light kit of FIG. 1; and,
FIG. 8 is a bottom view of the ceiling fan motor housing and light kit of FIG. 1.

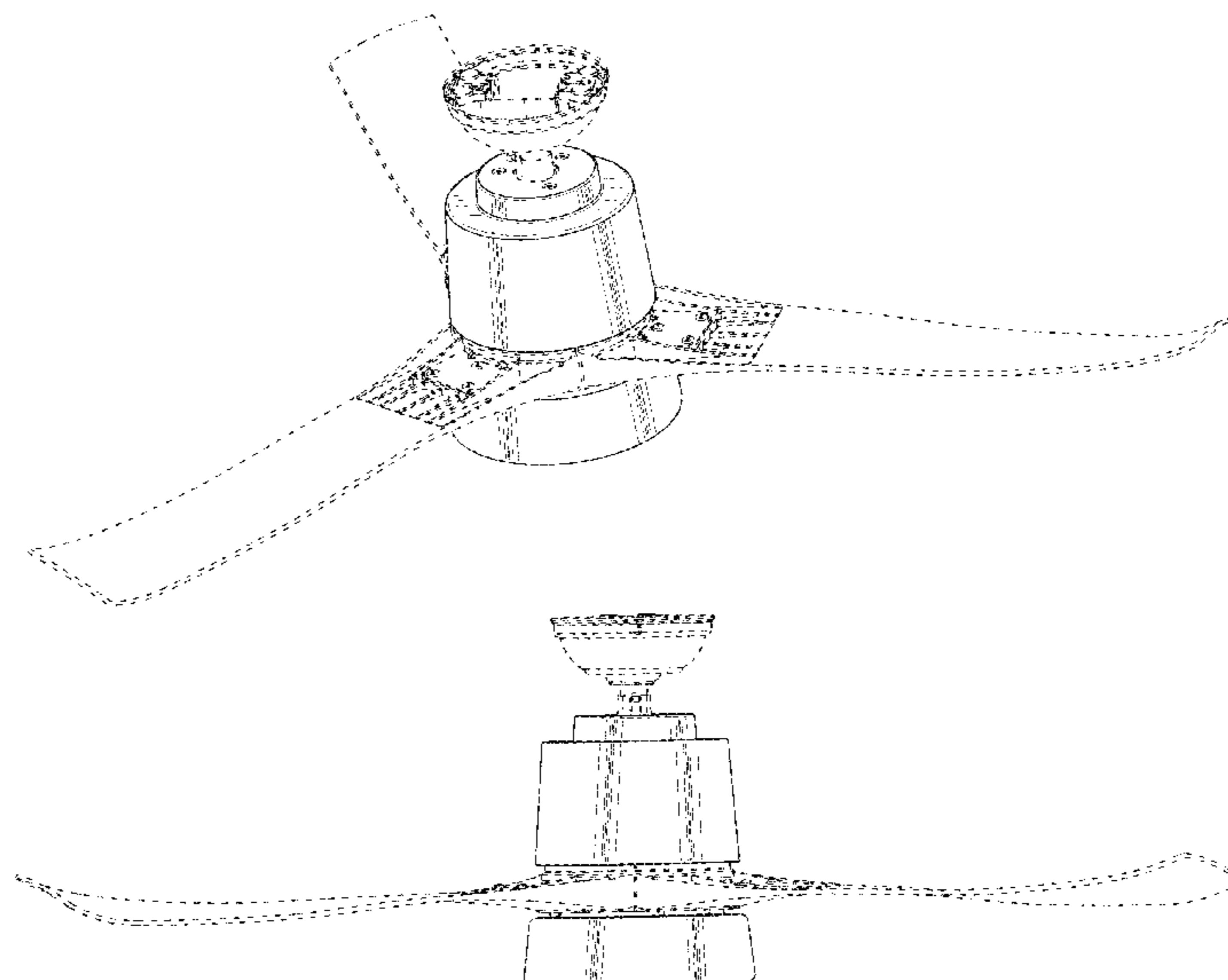
The broken lines showing a ceiling fan illustrate environmental subject matter only and form no part of the claimed design.

(56) **References Cited**

U.S. PATENT DOCUMENTS

D333,867 S 3/1993 Markwardt
D394,103 S 5/1998 Lee
D424,188 S 5/2000 Liu
D445,887 S 7/2001 Campbell
6,719,532 B2 4/2004 Bird
6,884,034 B1 4/2005 Parker et al.

1 Claim, 8 Drawing Sheets



(56)

References Cited

U.S. PATENT DOCUMENTS

D598,997	S	8/2009	Klausing et al.	
D598,998	S	8/2009	Flores	
D605,751	S	12/2009	Yang	
D670,802	S	11/2012	Wang	
D707,336	S	6/2014	Pan	
D715,421	S	10/2014	Schulzman	
D716,438	S	10/2014	Liu	
D721,429	S	1/2015	Busta	
D721,800	S	1/2015	Busta	
D726,299	S	4/2015	Schulzman	
D741,470	S	10/2015	Ertze	
D741,989	S	10/2015	Wang	
D745,658	S	12/2015	Wang	
D745,956	S	12/2015	Ertze	
D750,221	S	2/2016	Schulzman	
D755,948	S	5/2016	Ertze	
D761,949	S	7/2016	Badarello	
D762,296	S	7/2016	Badarello et al.	
D771,795	S *	11/2016	Wang	D23/411
D776,251	S	1/2017	Pickett	
D779,648	S	2/2017	Badarello et al.	
D799,661	S *	10/2017	Holmes	D23/377
D803,380	S *	11/2017	Holmes	D23/377
D804,629	S *	12/2017	McRoberts	D23/377
D810,918	S *	2/2018	Holmes	D23/377
D822,192	S *	7/2018	Haggar	D23/411
D825,052	S *	8/2018	Guthrie	D23/411
D826,395	S *	8/2018	McRoberts	D23/411
D827,123	S *	8/2018	Guthrie	D23/411
D844,769	S *	4/2019	McRoberts	D23/411
D855,172	S *	7/2019	Holmes	D23/411
D859,632	S *	9/2019	Yang	D23/411
2005/0147494	A1	7/2005	Hoshino	
2012/0087796	A1	4/2012	McMahon	

OTHER PUBLICATIONS

<http://www.homedepot.com/p/Hampton-Bay-Stylique-II-52-in-Brushed-Nickel-Ceiling-Fan-AL979-BN/203786411>, Item Specification for Hampton Bay Model # AL979-BN Internet # 203786411 Stylique II 52 in. Brushed Nickel Ceiling Fan, accessed Dec. 4, 2015.

<http://www.hunterpacific.com.au/aeroforce.php>, Item Specification for Hunter Pacific Aeroforce Koa Blades—A2521, accessed Dec. 4, 2015.

<http://www.montecarlofans.com/44080/72in-Minimalist-Max—Matte-Black-3MNLR72BKD.html>, Item Specification for Monte Carlo 72" Minimalist Max—Matte Black Product #: 3MNLR72BKD, accessed Dec. 4, 2015.

<http://www.kingoffans.com/#/products/ceilingFans>, Item Specification for King of Fans Argenta Model # 61615, accessed Dec. 4, 2015.

http://www.fanimation.com/products/zonix_led/, Item Specification for Fanimation The Zonix Modern Sophistication FP4650BN (1) brushed nickel assembly with brushed nickel blades, accessed Dec. 4, 2015.

<http://www.fanimation.com/products/inlet/>, Item Specification for Fanimation The Inlet Cool Lines. Cool Breezes FPS7880OB (1) oil-rubbed bronze finish fan with opal frosted glass, accessed Dec. 4, 2015.

<http://www.kichler.com/products/product/42-inch-innes-ii-fan-obb-300130obb.aspx>, Item Specification for Kichler Innes II 42" Collection 42 Inch Innes II Fan OBB 300130OBB, accessed Dec. 4, 2015.

<http://www.minkagroup.net/all-collections?keys=artemis>, Item Specification for Minka Group Artemis™ XL5 Model # F905-SL, accessed Dec. 4, 2015.

<http://ceilingfans.emerson.com/shop/en/fan/fans-s-emerson-fans/fans-s-contemporary/highpointe-fan-p-cf205>, Item Specification for Emerson Highpointe fan Model No. CF205VS, accessed Dec. 4, 2015.

* cited by examiner

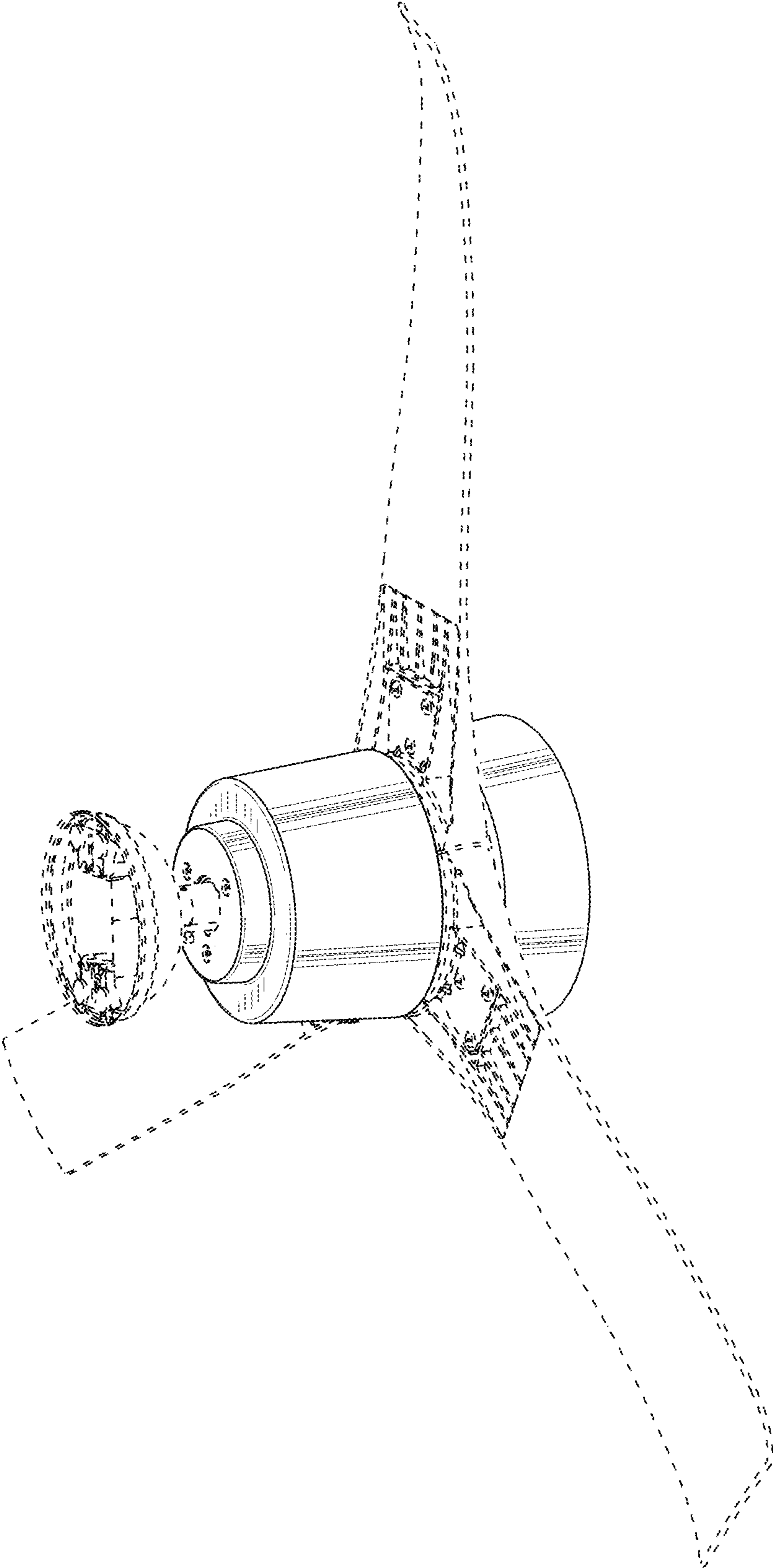


FIG. 1

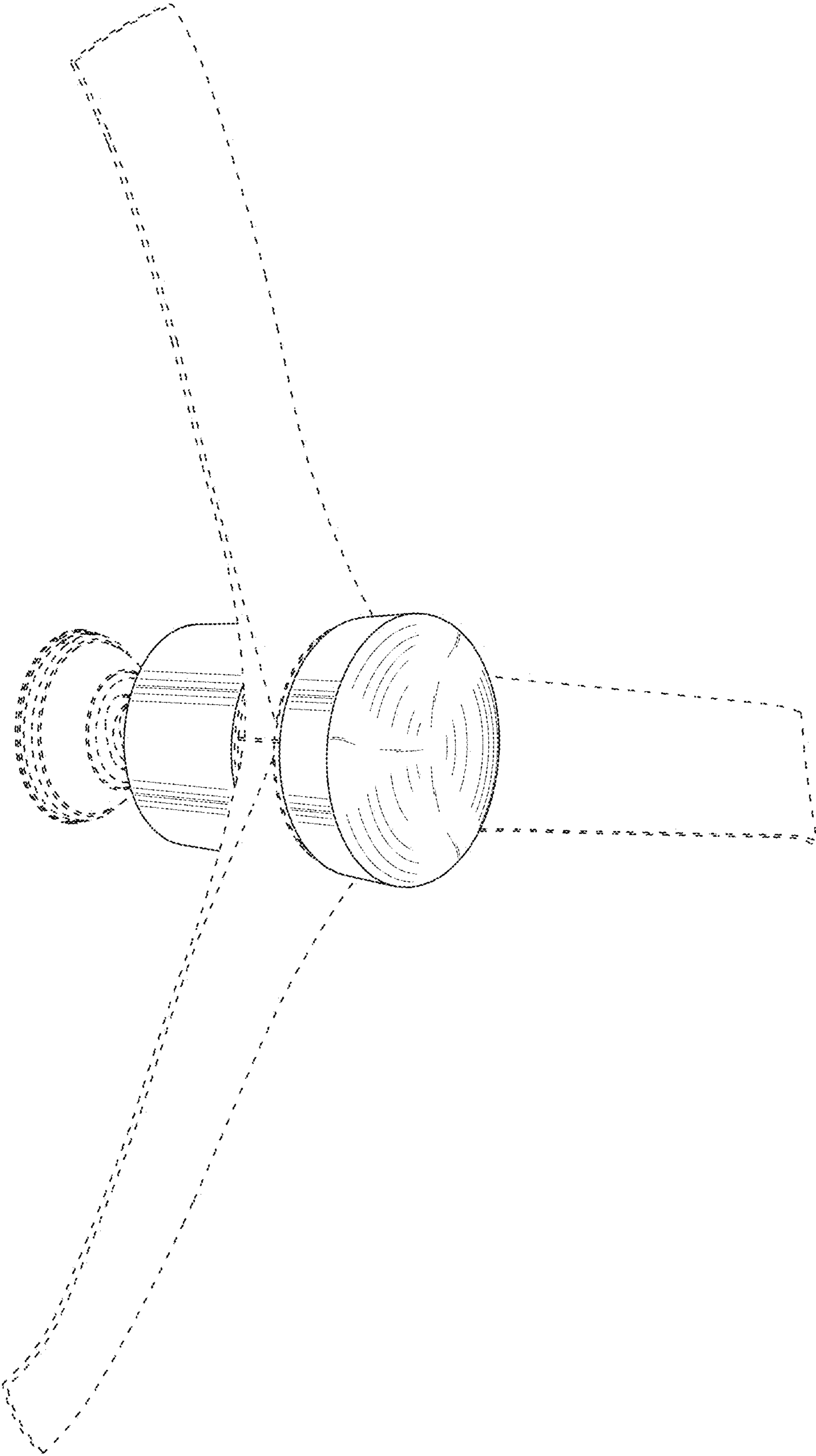


FIG. 2

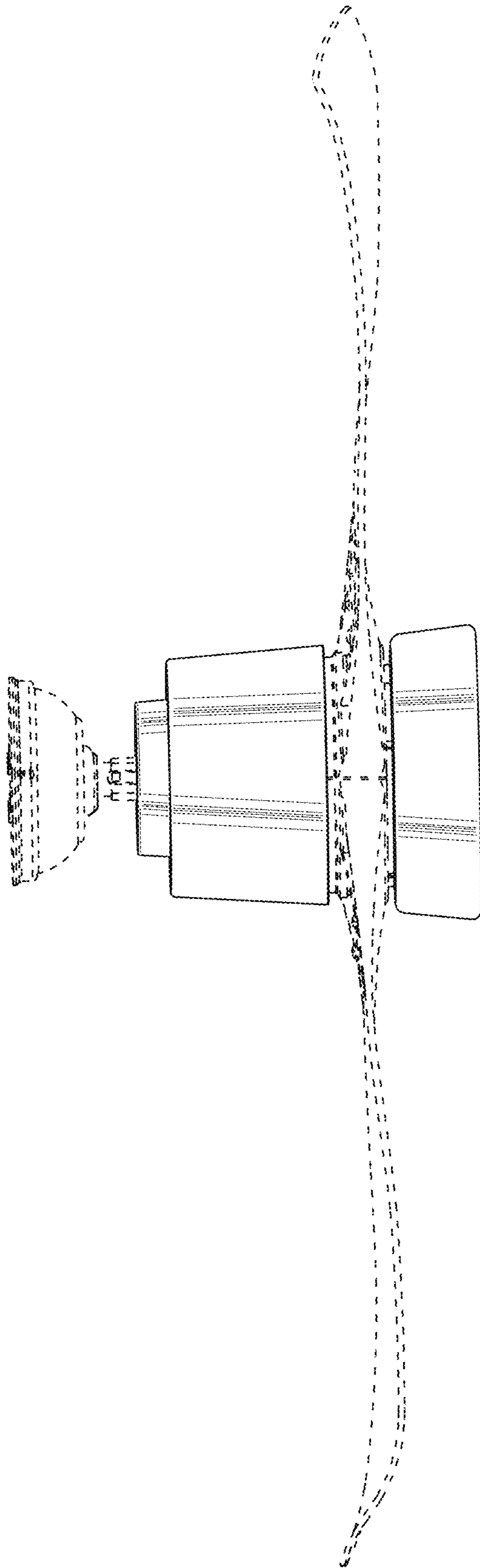


FIG. 3

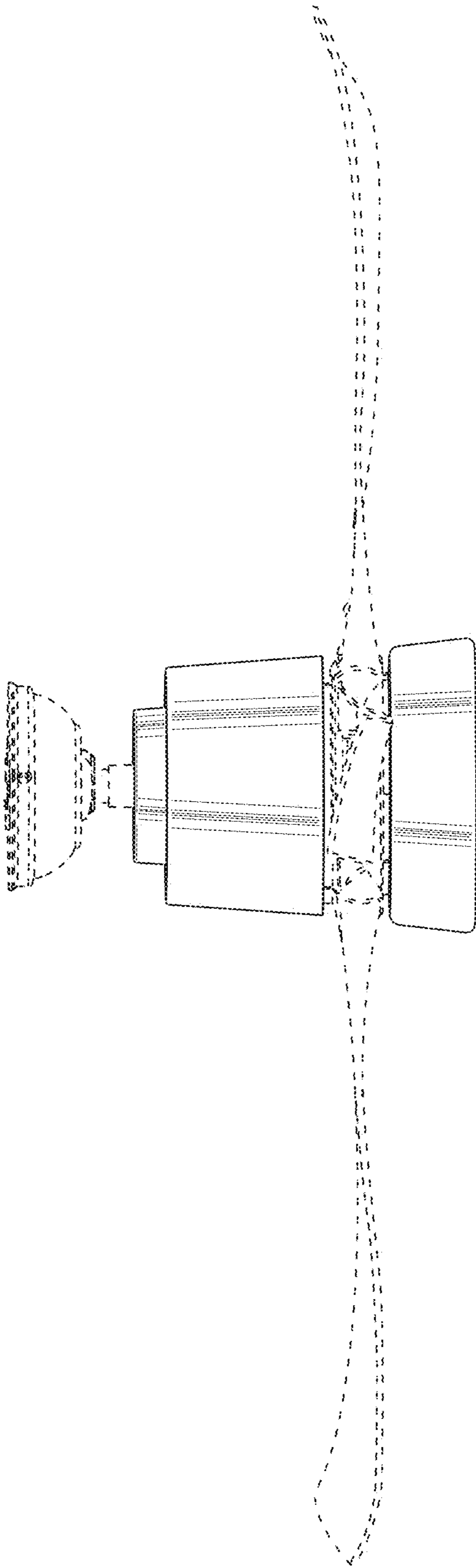


FIG. 4

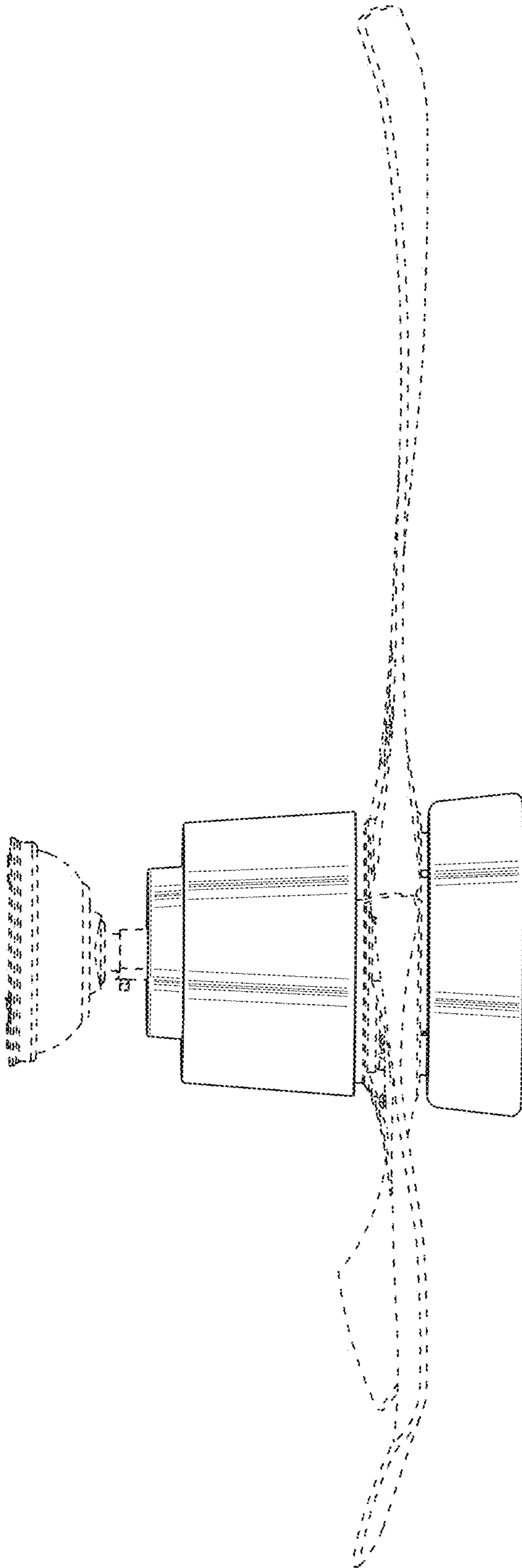


FIG. 5

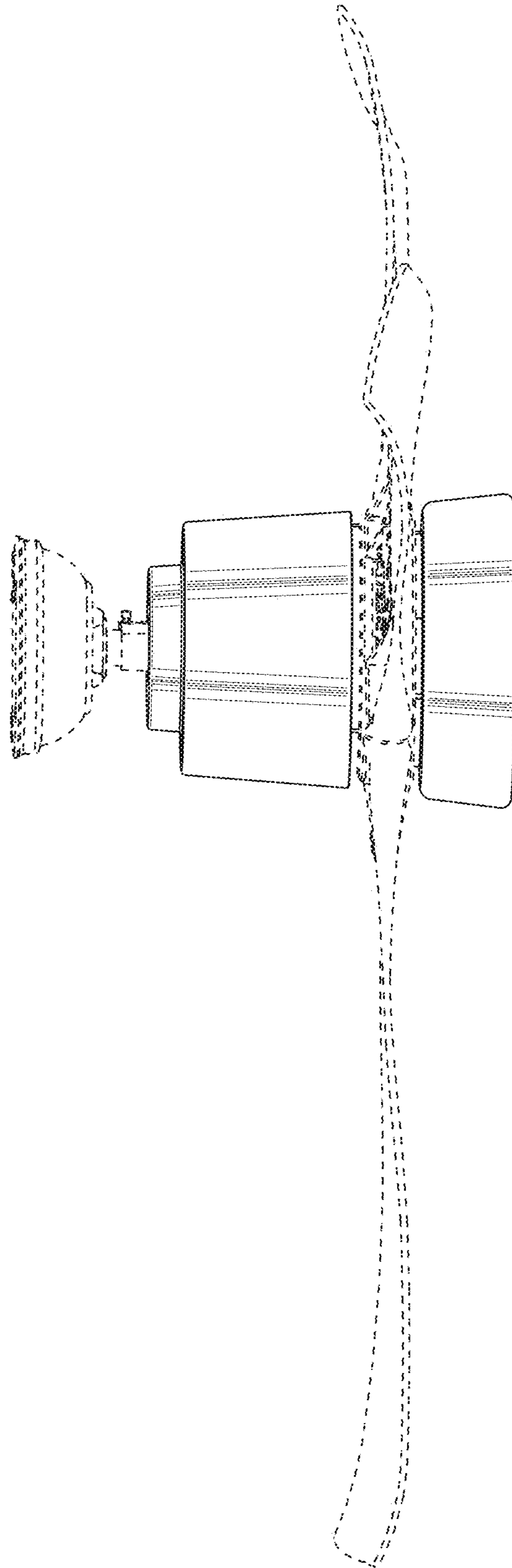


FIG. 6

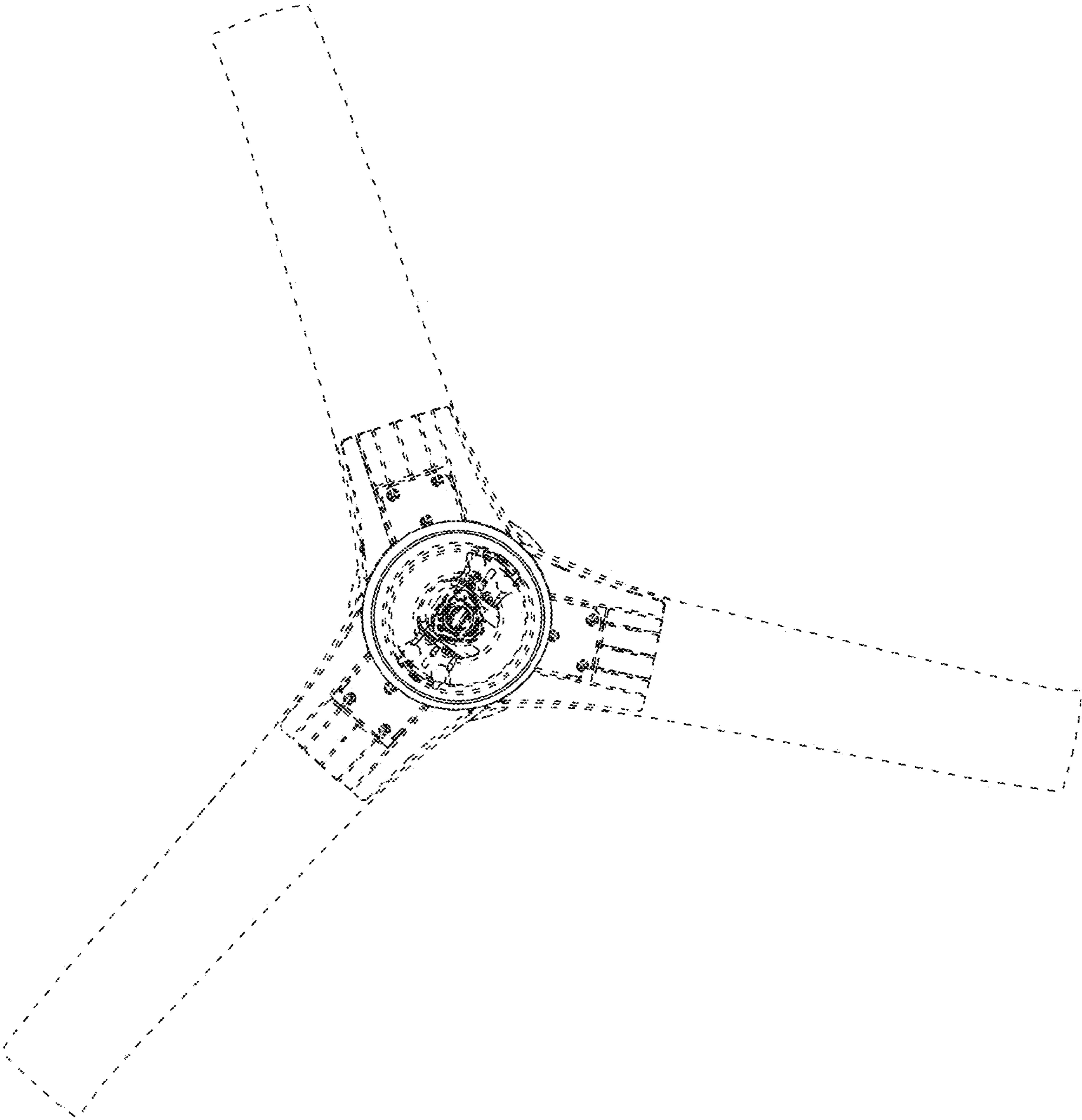


FIG. 7

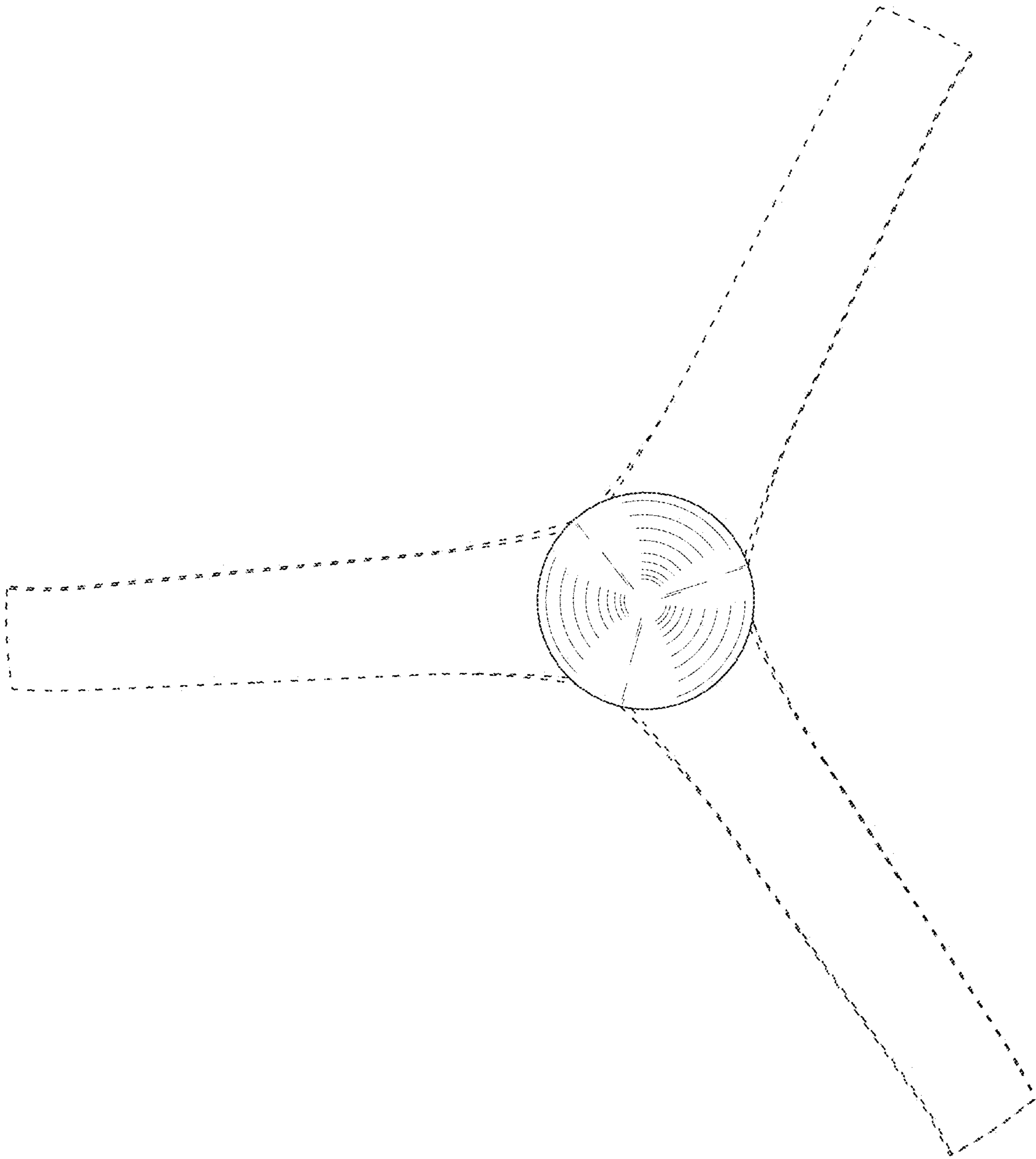


FIG. 8