



US00D877881S

(12) **United States Design Patent**  
**Hidalgo**

(10) **Patent No.:** **US D877,881 S**

(45) **Date of Patent:** **\*\* \*Mar. 10, 2020**

(54) **COMBINATION CEILING FAN AND LIGHT FIXTURE**

(71) Applicant: **Minka Lighting, Inc.**, Corona, CA (US)

(72) Inventor: **Rolando Hidalgo**, Yorba Linda, CA (US)

(73) Assignee: **Minka Lighting, Inc.**, Corona, CA (US)

(\*) Notice: This patent is subject to a terminal disclaimer.

(\*\*) Term: **15 Years**

(21) Appl. No.: **29/670,117**

(22) Filed: **Nov. 13, 2018**

**Related U.S. Application Data**

(63) Continuation of application No. 29/586,736, filed on Dec. 6, 2016, now Pat. No. Des. 833,593.

(51) **LOC (12) Cl.** ..... **23-04**

(52) **U.S. Cl.**  
USPC ..... **D23/377**; D26/59

(58) **Field of Classification Search**  
USPC ..... D23/370–385, 411–414; D26/59, 85, 86, D26/89, 90, 88, 110  
CPC ..... F04D 25/088; F04D 29/38; F04D 29/384; F04D 29/386; F21V 33/0096  
See application file for complete search history.

(56) **References Cited**

**U.S. PATENT DOCUMENTS**

D357,978 S *	5/1995	Young	.....	D23/377
D400,667 S *	11/1998	Moody	.....	D23/377
D476,408 S *	6/2003	Hidalgo	.....	D23/411
D476,728 S *	7/2003	Gajewski	.....	D23/377

D477,068 S *	7/2003	Hsieh	.....	D23/377
D478,980 S *	8/2003	Hidalgo	.....	D23/411
D715,917 S *	10/2014	Hidalgo	.....	D23/377
D750,215 S *	2/2016	Gajewski	.....	D23/385
D796,660 S *	9/2017	Schulzman	.....	D23/377
D825,050 S *	8/2018	Hidalgo	.....	D23/411
D833,593 S *	11/2018	Hidalgo	.....	D23/377
D833,595 S *	11/2018	Busta	.....	D23/377
D833,596 S *	11/2018	Schulzman	.....	D23/377
2003/0219340 A1 *	11/2003	Hidalgo	.....	F04D 25/088 416/206

\* cited by examiner

*Primary Examiner* — Cathron C Brooks

*Assistant Examiner* — Sharon S Oum

(74) *Attorney, Agent, or Firm* — Seyfarth Shaw LLP

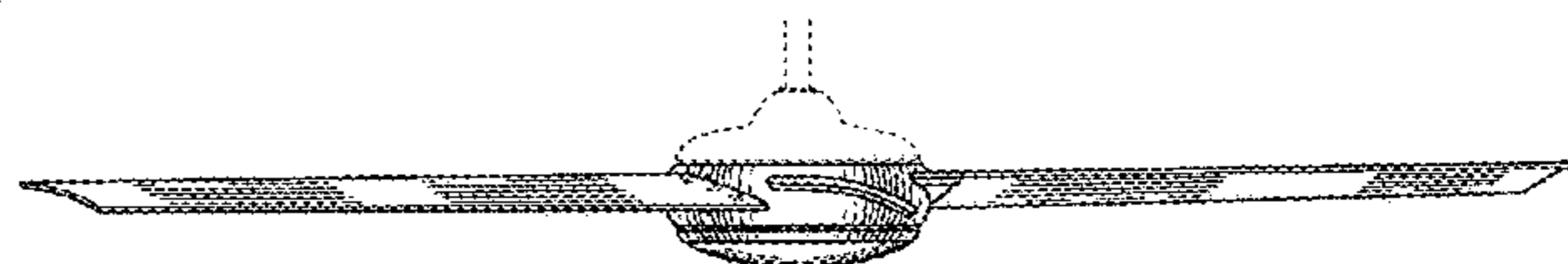
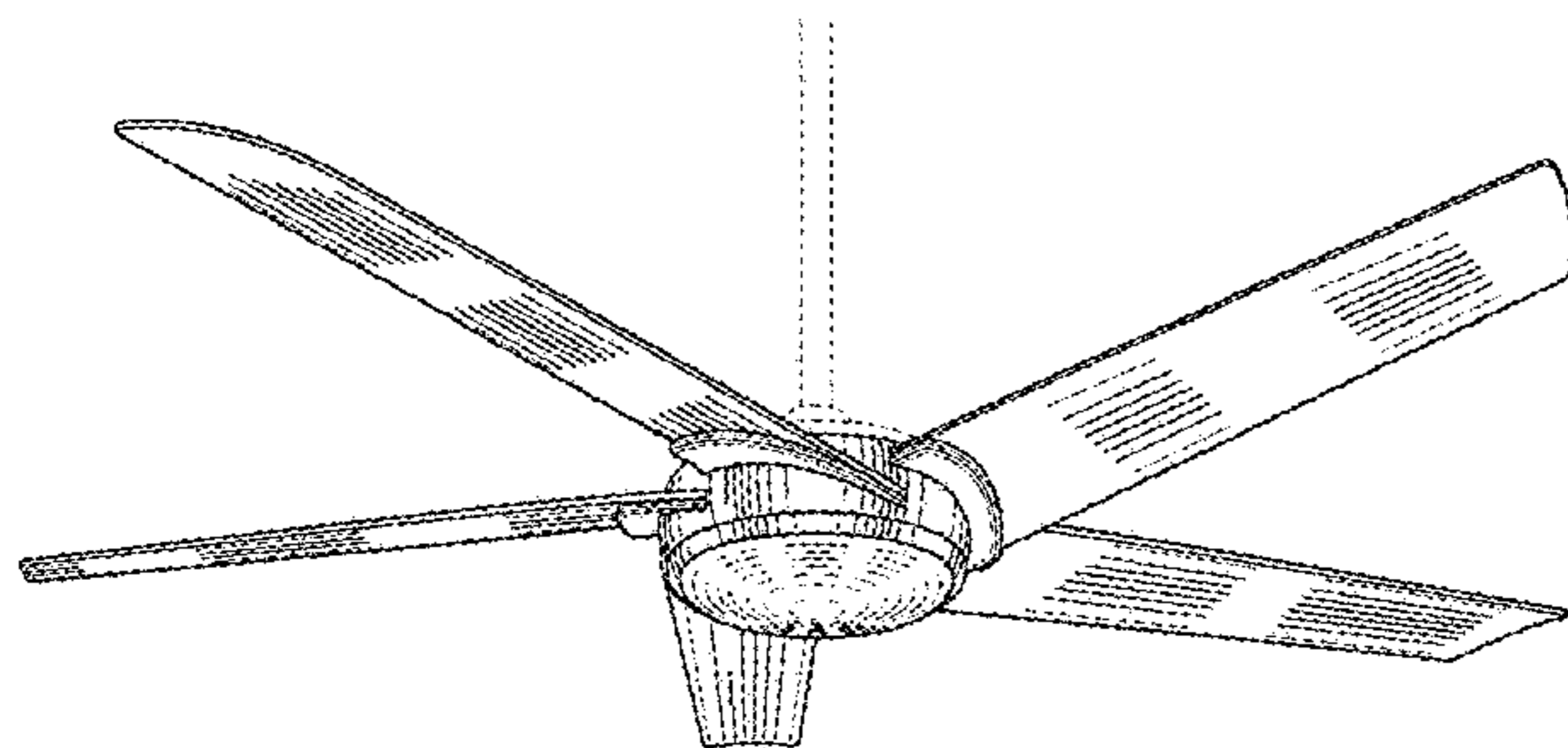
(57) **CLAIM**

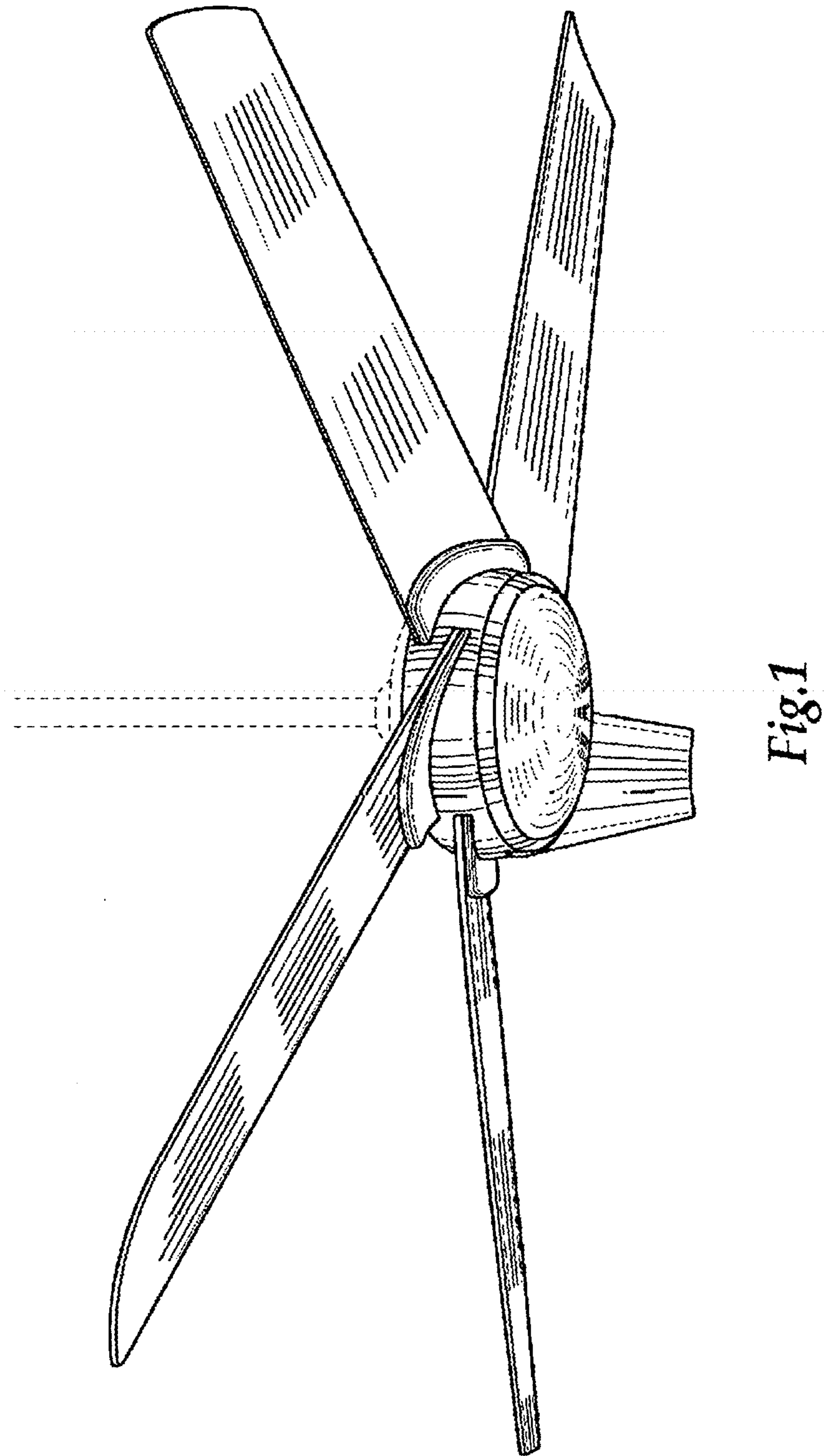
The ornamental design for a combination ceiling fan and light fixture, as shown and described.

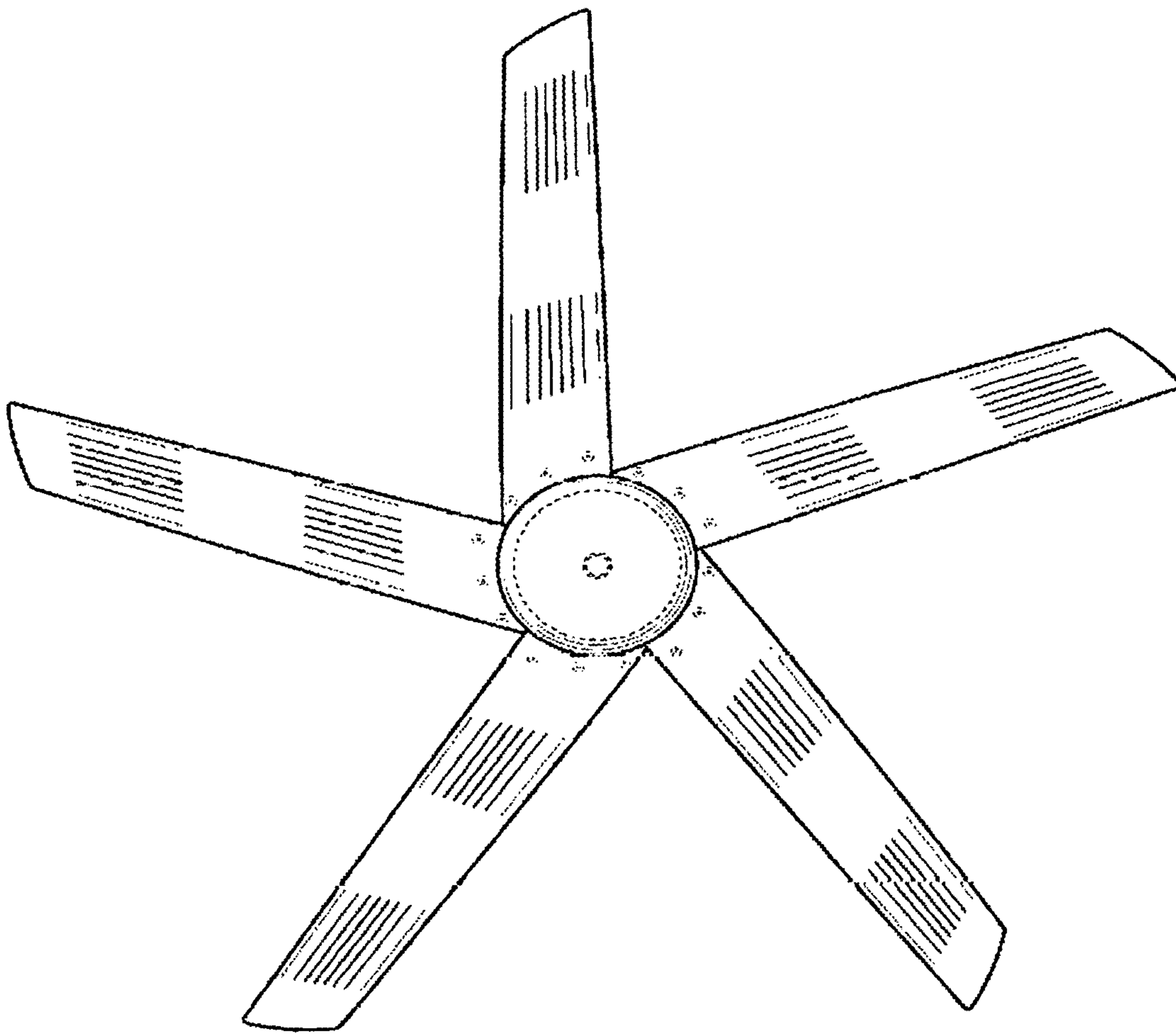
**DESCRIPTION**

FIG. 1 is a perspective view of a combination ceiling fan and light fixture in accordance with my design;  
FIG. 2 is a top plan view of the combination ceiling fan and light fixture in accordance with my design;  
FIG. 3 is a bottom plan view of the combination ceiling fan and light fixture in accordance with my design;  
FIG. 4 is a front elevation view of the combination ceiling fan and light fixture in accordance with my design;  
FIG. 5 is a rear elevation view of the combination ceiling fan and light fixture in accordance with my design;  
FIG. 6 is a left side elevation view of the combination ceiling fan and light fixture in accordance with my design; and,  
FIG. 7 is a right side elevation view of the combination ceiling fan and light fixture in accordance with my design.  
The broken-line disclosure of elements is understood to represent portions of the article in which the design is embodied, but which form no part of the claimed design.

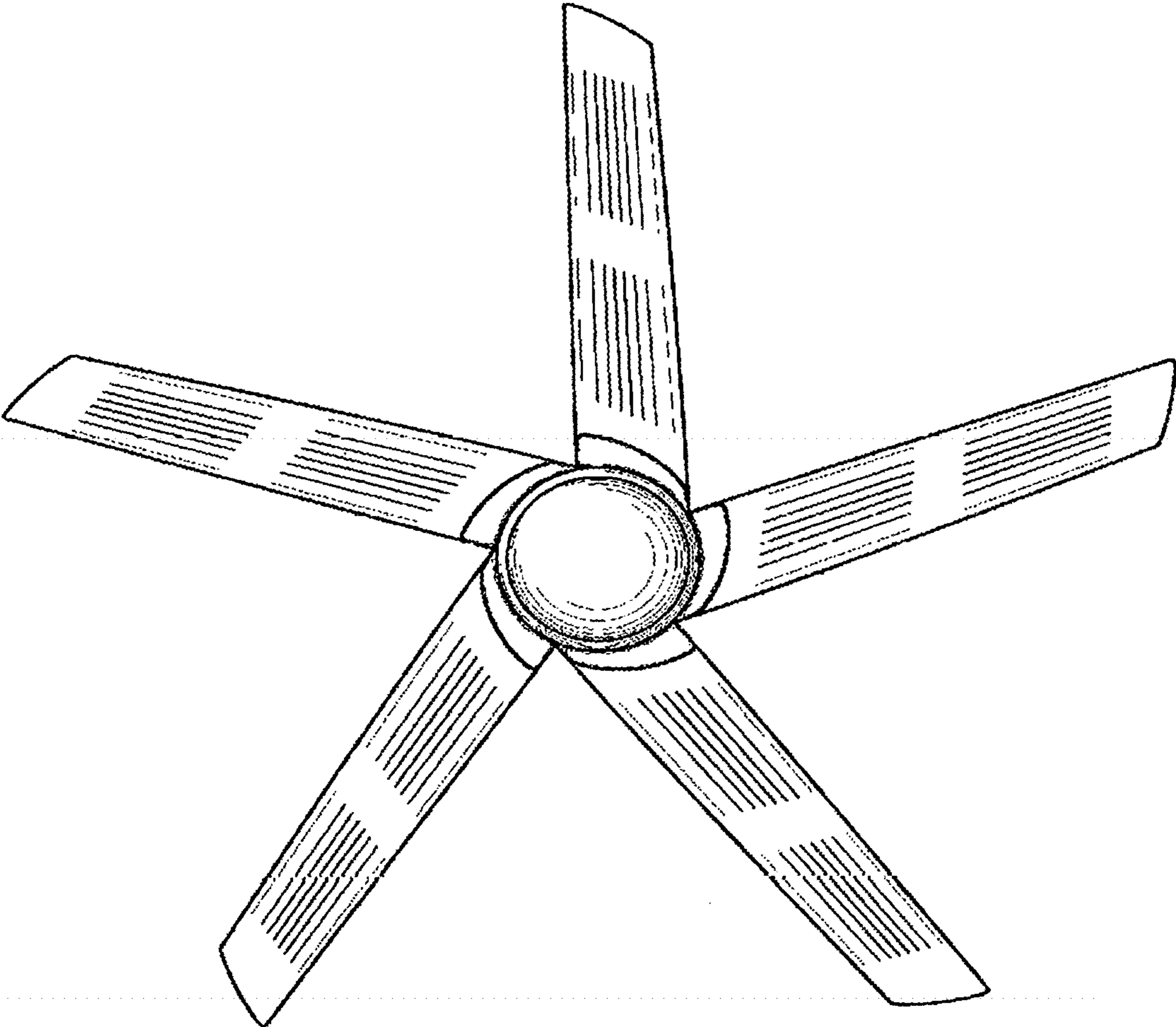
**1 Claim, 5 Drawing Sheets**







*Fig.2*



*Fig.3*

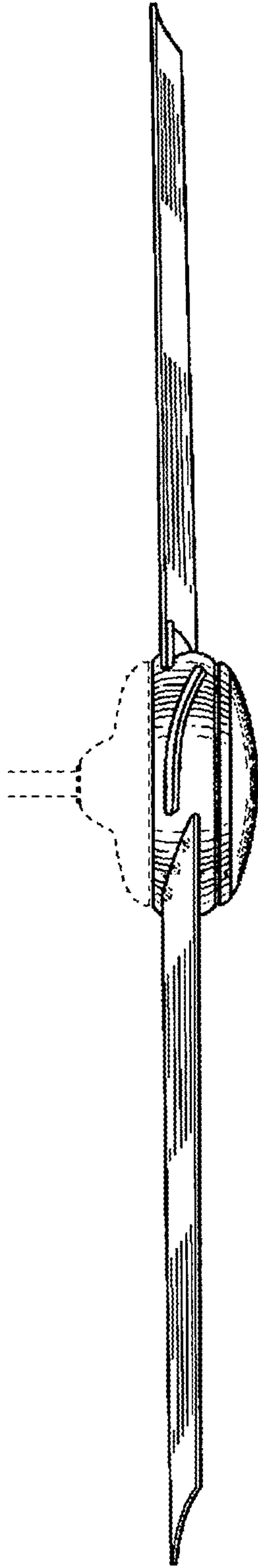


Fig. 4

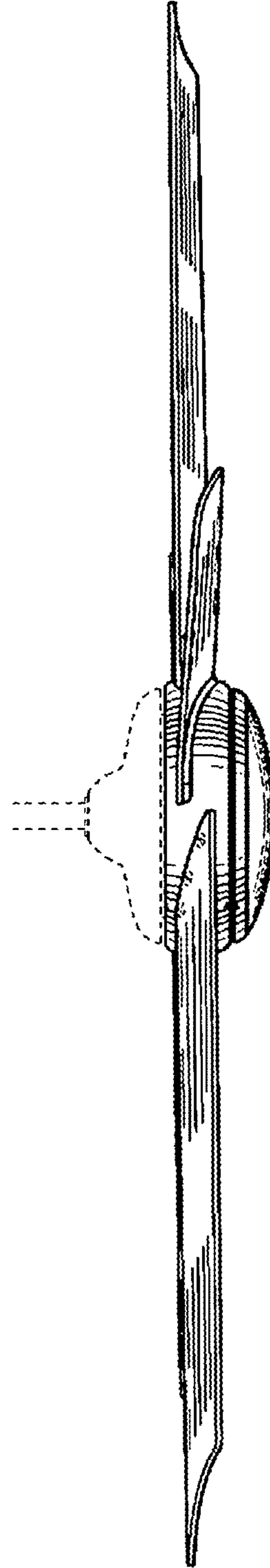


Fig. 5

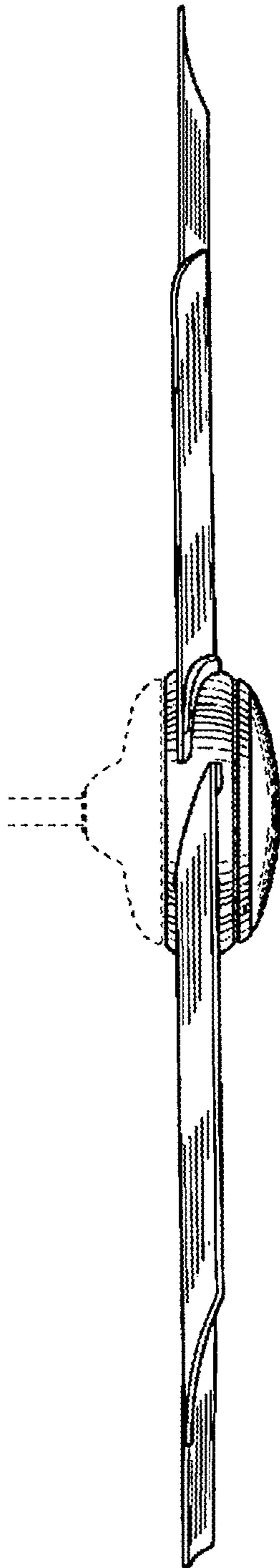


Fig. 6

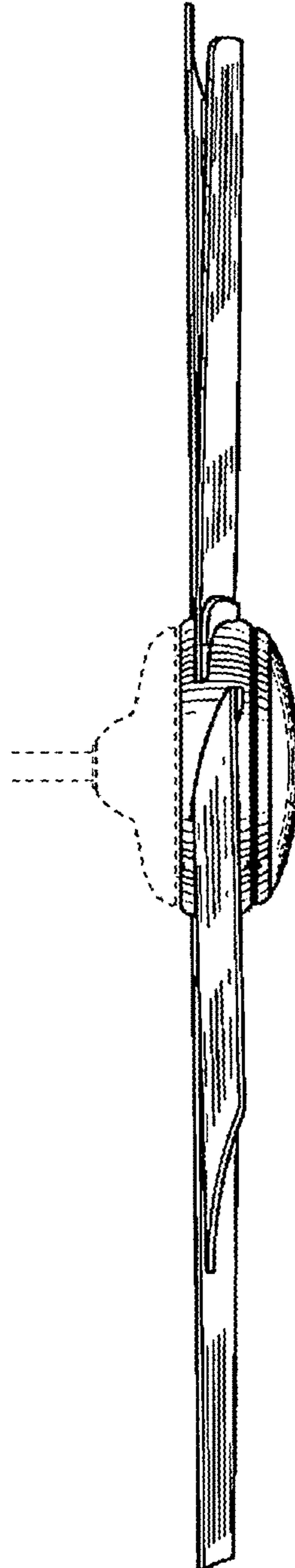


Fig. 7