

US00D877879S

(12) **United States Design Patent** (10) **Patent No.:** **US D877,879 S**  
**Oh et al.** (45) **Date of Patent:** **\*\* Mar. 10, 2020**

(54) **AIR MULTIPLIER FAN HEAD**

(71) Applicant: **LG ELECTRONICS INC.**, Seoul (KR)

(72) Inventors: **Chohee Oh**, Seoul (KR); **Kyoungjin Ku**, Seoul (KR); **Sora Kim**, Seoul (KR); **Hangjin Ban**, Seoul (KR)

(73) Assignee: **LG ELECTRONICS INC.**, Seoul (KR)

(\*\*) Term: **15 Years**

(21) Appl. No.: **35/506,410**

(22) Filed: **Sep. 13, 2018**

(80) **Hague Agreement Data**

Int. Filing Date: **Sep. 13, 2018**  
Int. Reg. No.: **DM/103777**  
Int. Reg. Date: **Sep. 13, 2018**  
Int. Reg. Pub. Date: **Mar. 15, 2019**

(30) **Foreign Application Priority Data**

Jul. 19, 2018 (KR) ..... 30-2018-0033412

(51) **LOC (12) Cl.** ..... **23-04**

(52) **U.S. Cl.**  
USPC ..... **D23/370**

(58) **Field of Classification Search**  
USPC ..... D23/336, 337, 342, 355, 356, 385, 386  
CPC ... F24F 11/30; F24F 11/62; F24F 7/04; F28D 15/0233; F28D 15/0275

See application file for complete search history.

(56) **References Cited**

**U.S. PATENT DOCUMENTS**

D602,144 S \* 10/2009 Dyson ..... F04F 5/16  
D23/370  
D672,023 S \* 12/2012 Wallace ..... D23/332  
D728,092 S \* 4/2015 Poulton ..... D23/342

D728,769 S \* 5/2015 Dyson ..... D23/342  
D729,372 S \* 5/2015 McPherson ..... D23/370  
D729,376 S \* 5/2015 McPherson ..... D23/370  
D729,925 S \* 5/2015 McPherson ..... D23/370  
D768,839 S \* 10/2016 Peet ..... D23/370  
D768,842 S \* 10/2016 Peet ..... D23/370  
D783,140 S \* 4/2017 Poulton ..... D23/370  
D783,142 S \* 4/2017 Poulton ..... D23/370  
D783,143 S \* 4/2017 Poulton ..... D23/370

(Continued)

*Primary Examiner* — Khawaja Anwar

(74) *Attorney, Agent, or Firm* — Birch, Stewart, Kolasch & Birch, LLP

(57) **CLAIM**

The ornamental design for an air multiplier fan head, as shown and described.

**DESCRIPTION**

1. Air multiplier fan head

1.1 : Perspective

1.2 : Front

1.3 : Back

1.4 : Left

1.5 : Right

1.6 : Top

1.7 : Bottom

1.8 : Perspective

1.9 : Front

1.10 : Back

1.11 : Left

1.12 : Right

1.13 : Top

1.14 : Bottom

1.15 : Perspective

1.16 : Front

1.17 : Back

1.18 : Left

1.19 : Right

1.20 : Top

1.21 : Bottom

**1 Claim, 21 Drawing Sheets**



(56)

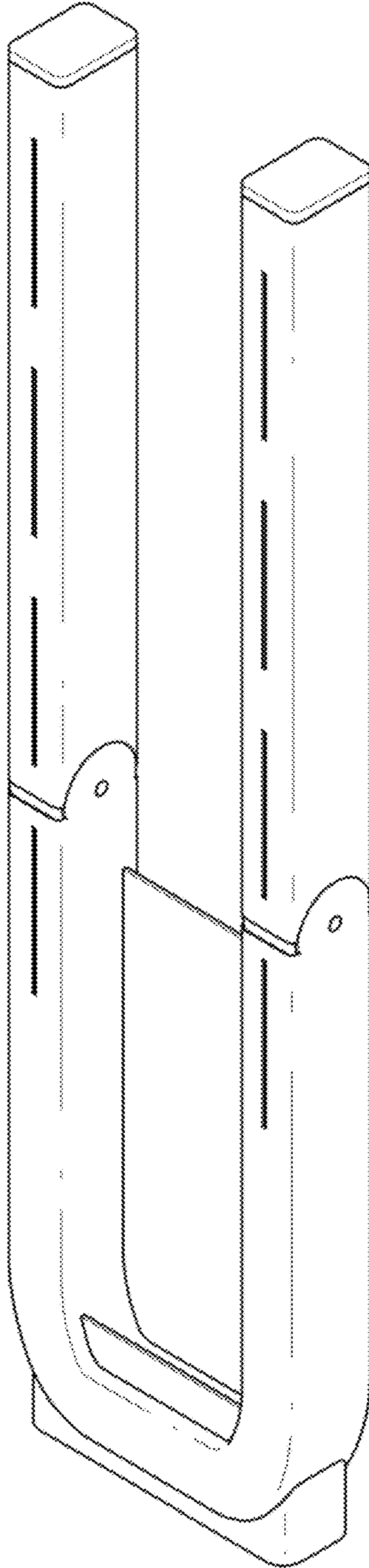
**References Cited**

U.S. PATENT DOCUMENTS

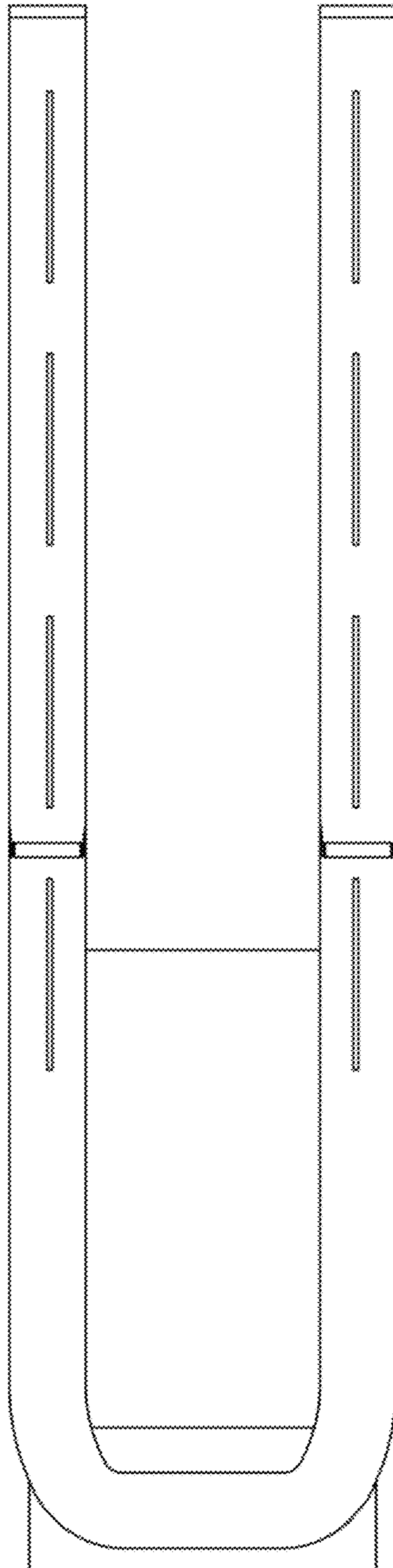
D790,678 S *	6/2017	Chang .....	D23/351
D790,681 S *	6/2017	Poulton .....	D23/370
D818,570 S *	5/2018	Kim .....	D23/370
D841,796 S *	2/2019	Freeland .....	D23/382

\* cited by examiner

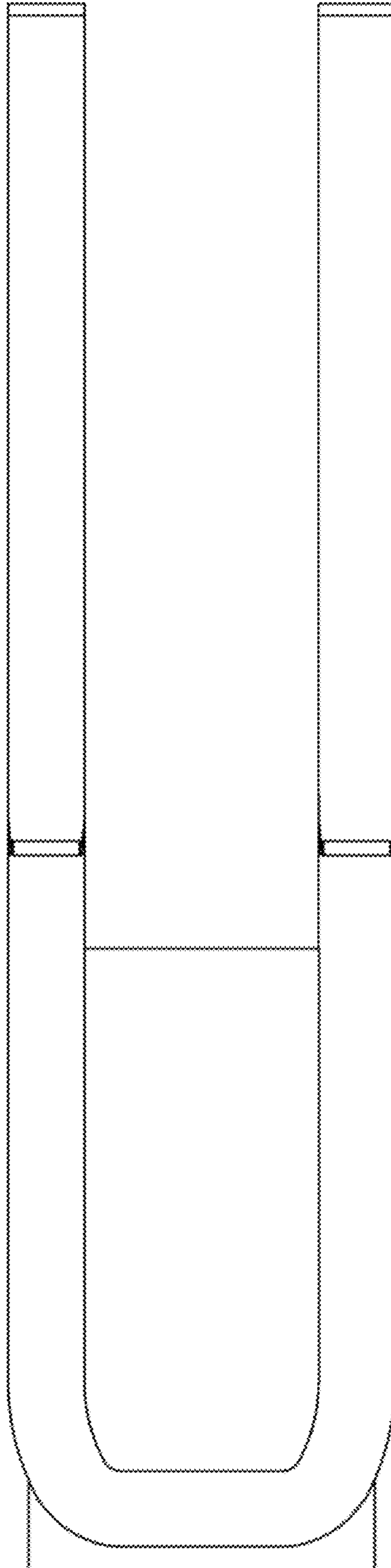
1.1



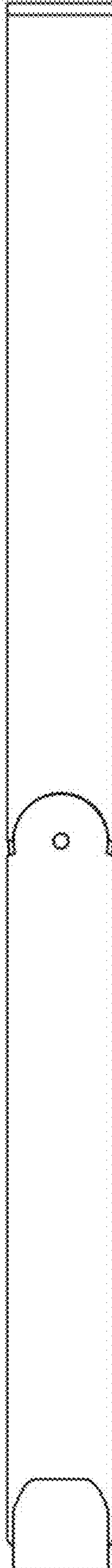
1.2



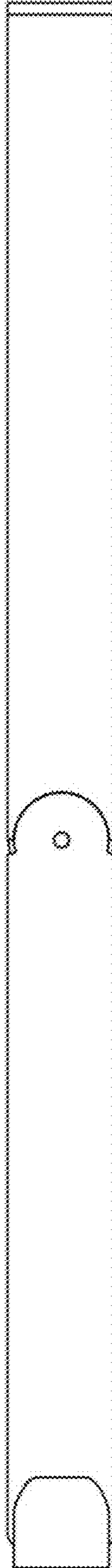
1.3



1.4

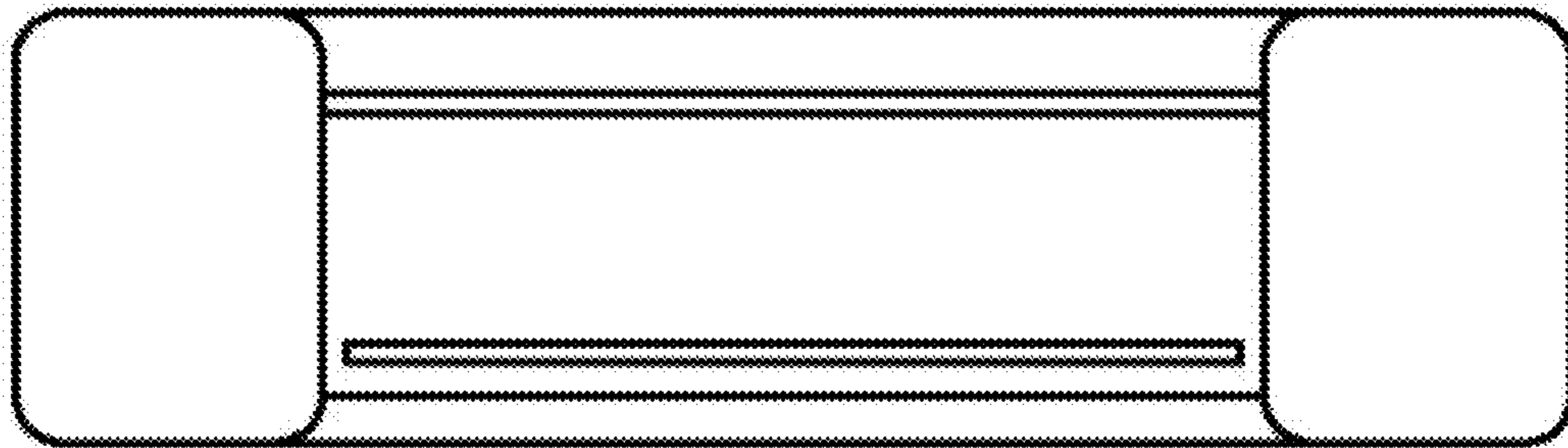


1.5





1.6

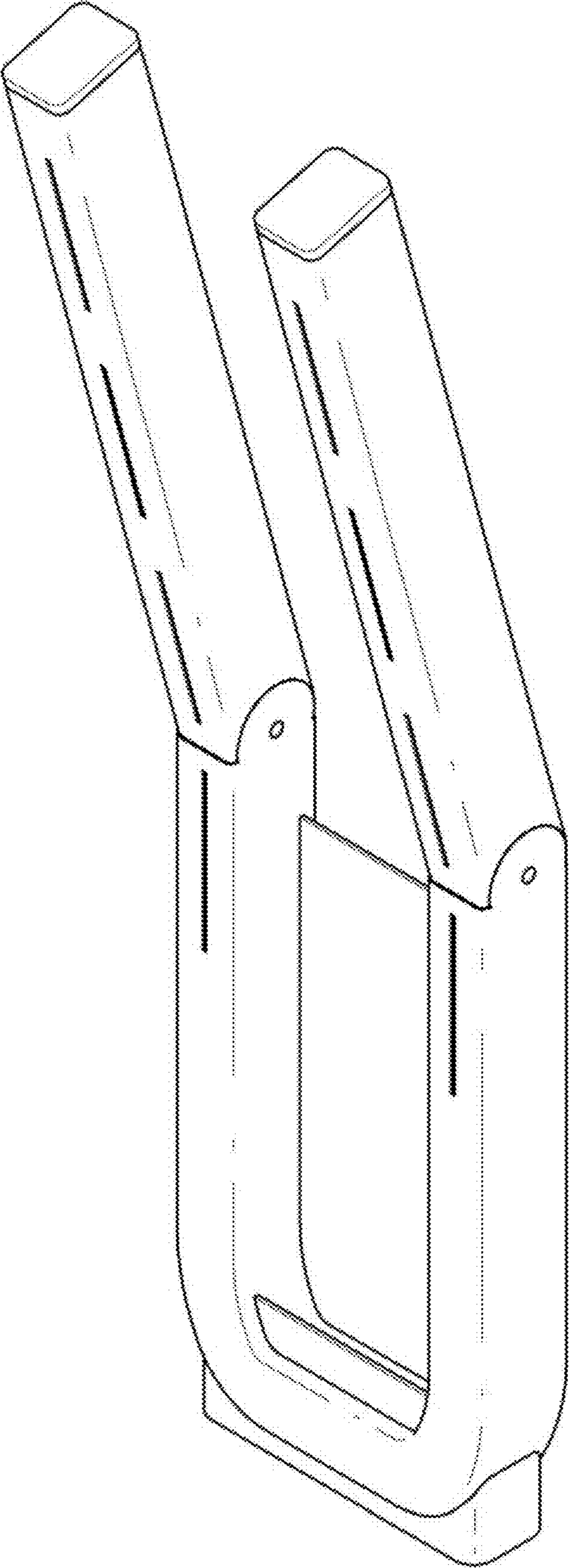




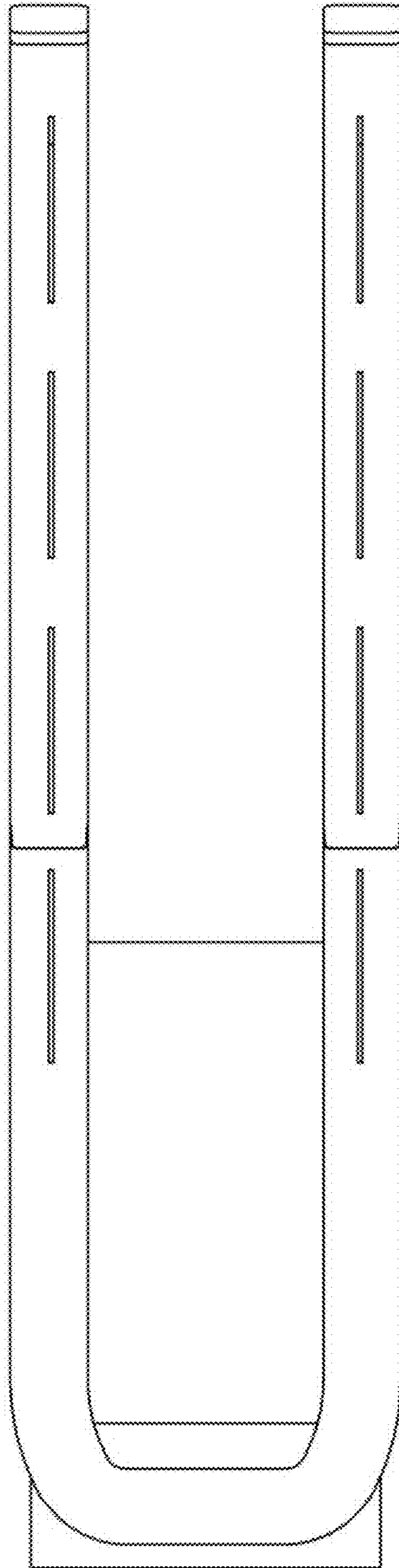
1.7



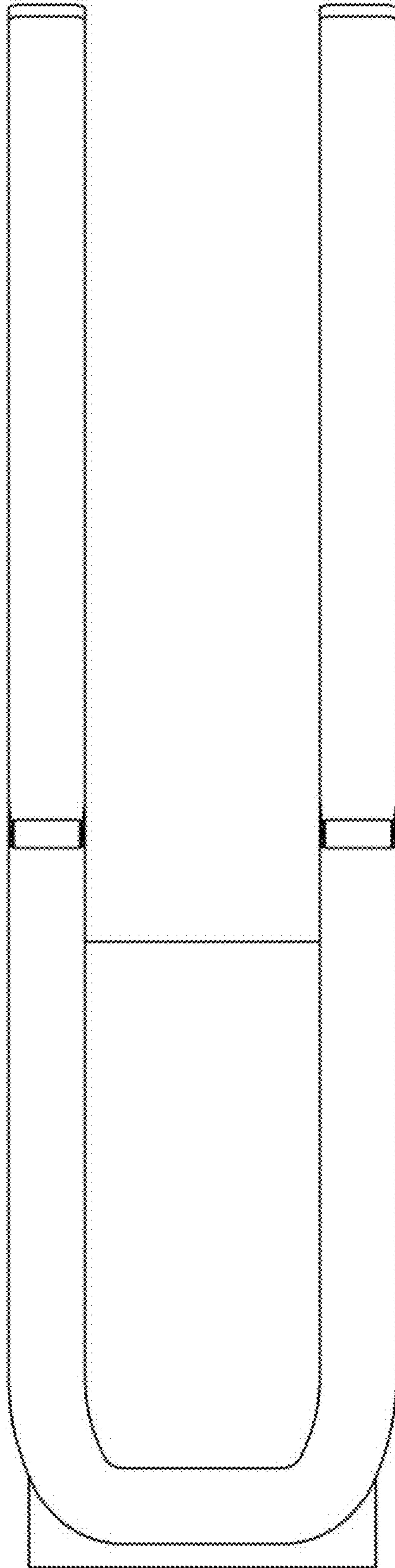
1.8



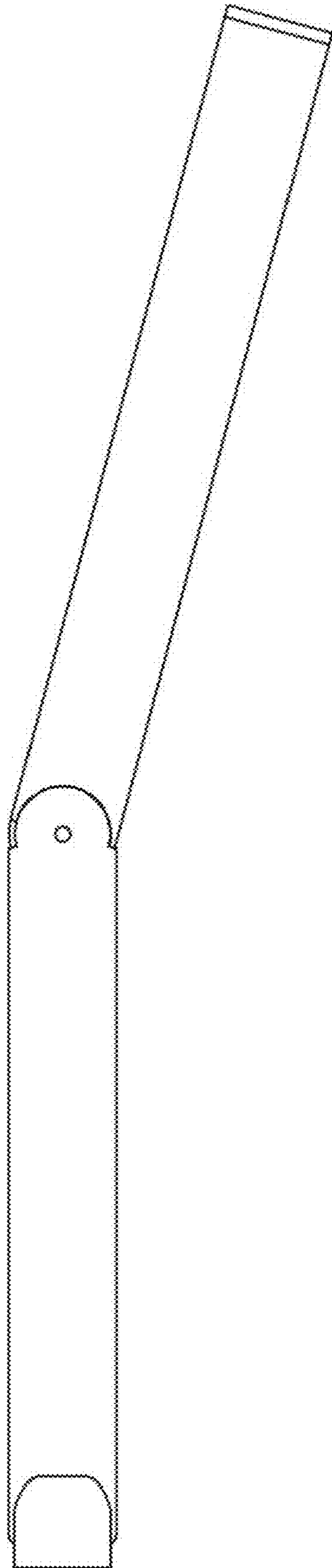
1.9



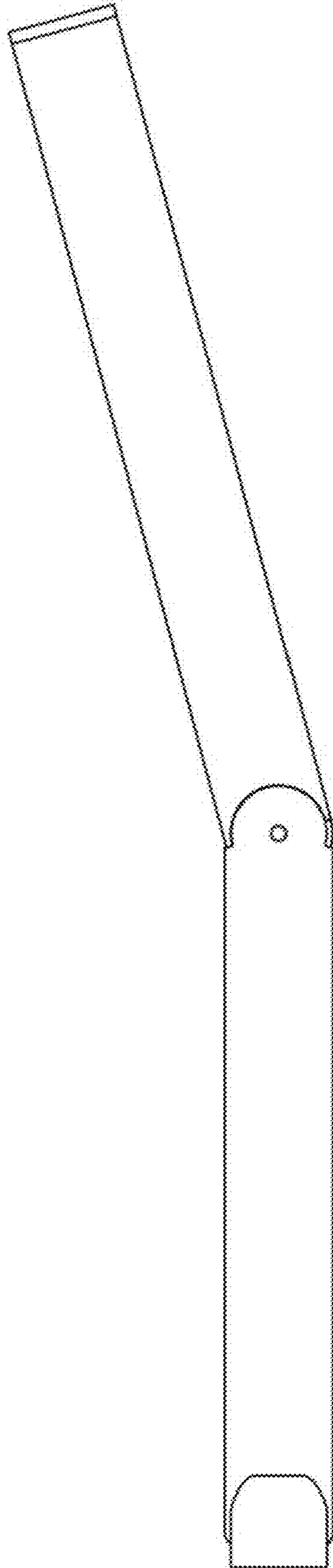
1.10



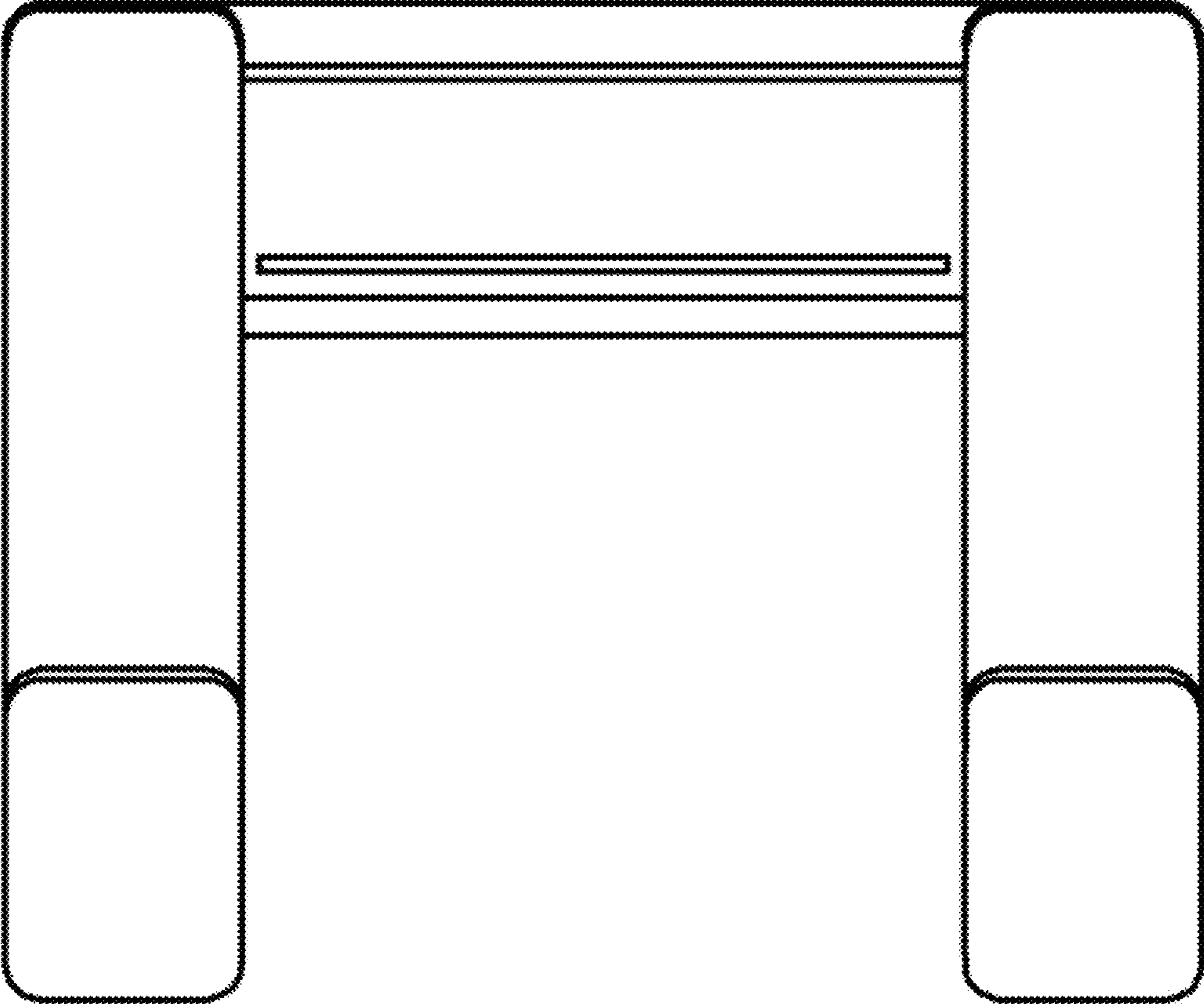
1.11



1.12

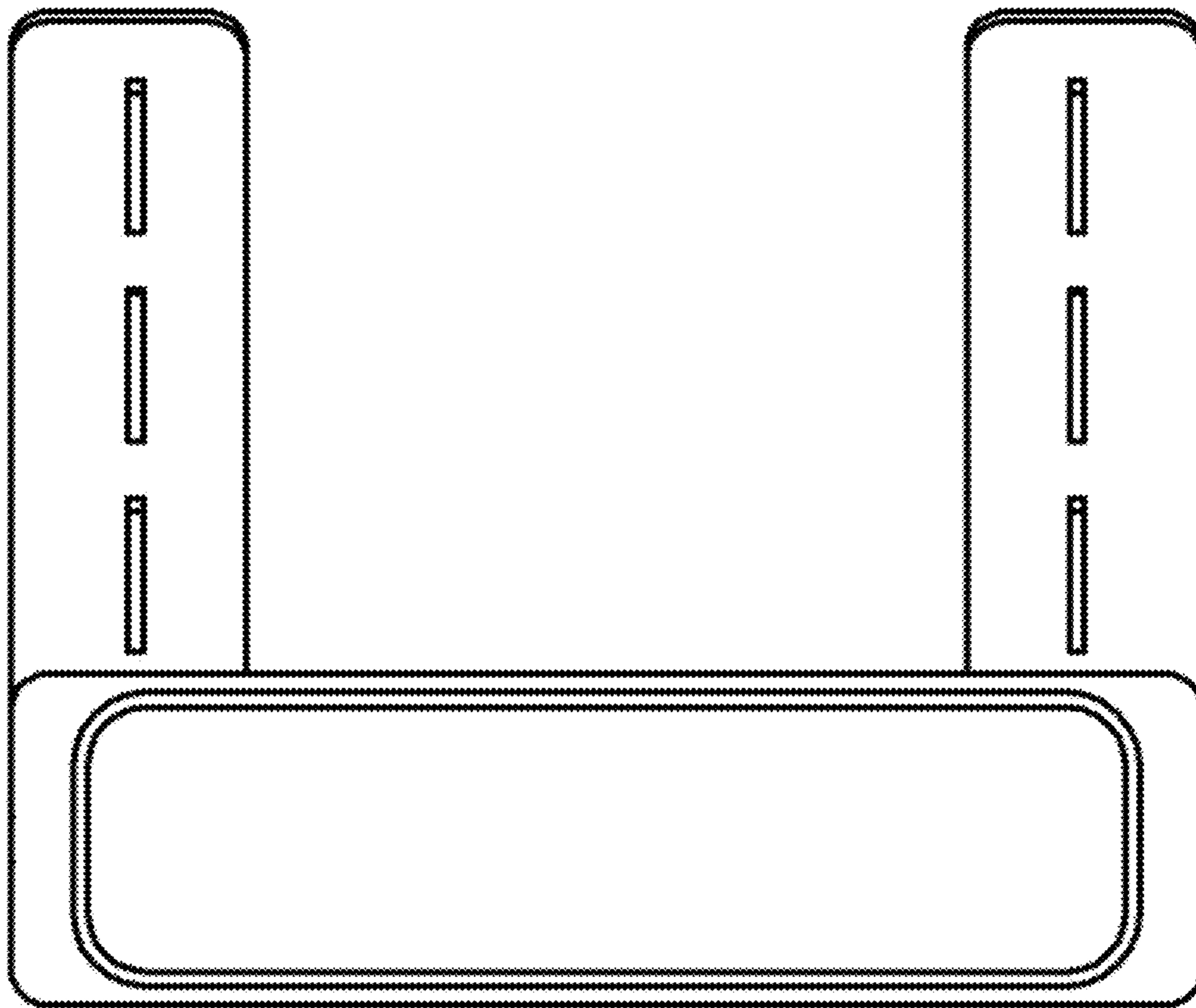


1.13

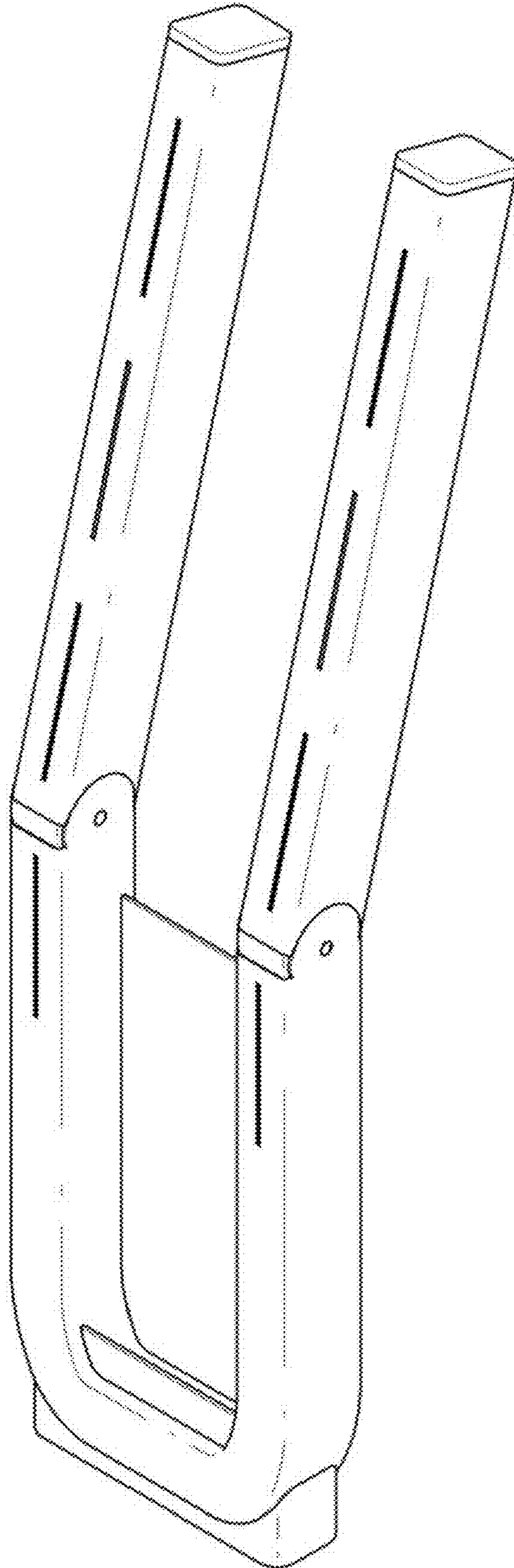




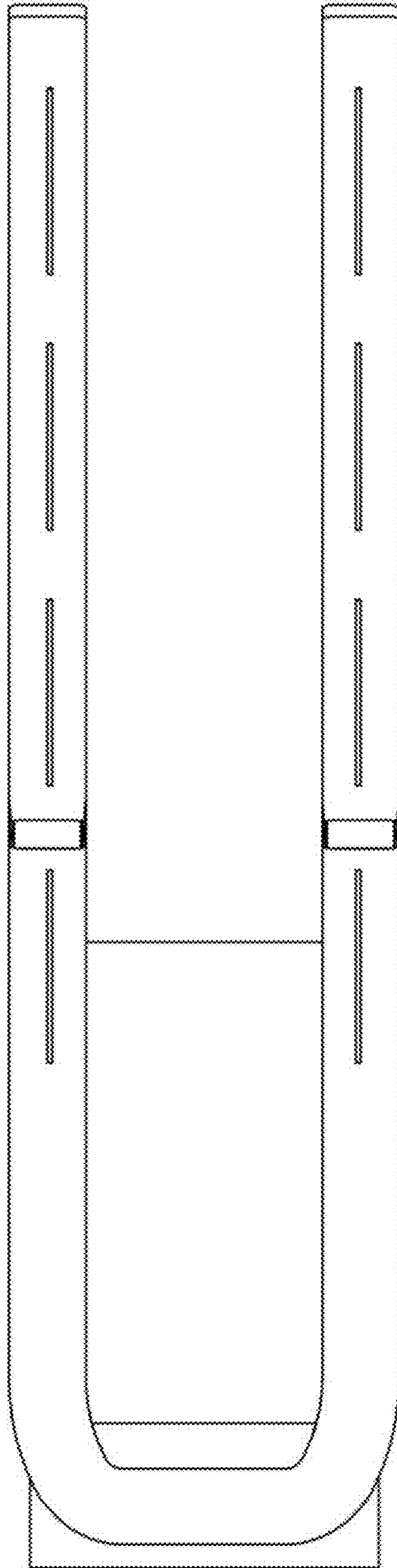
1.14



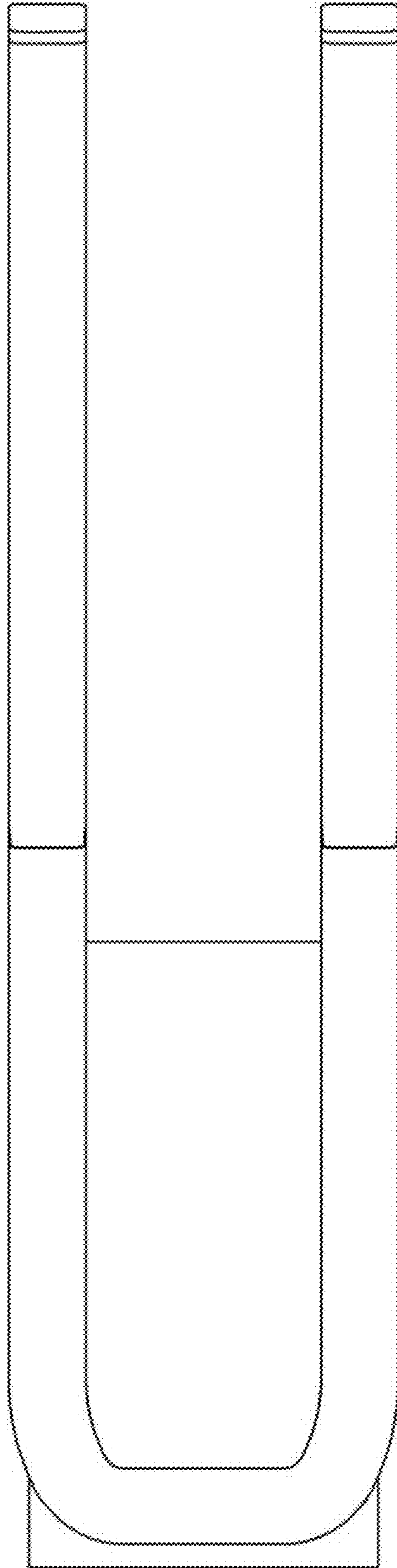
1.15



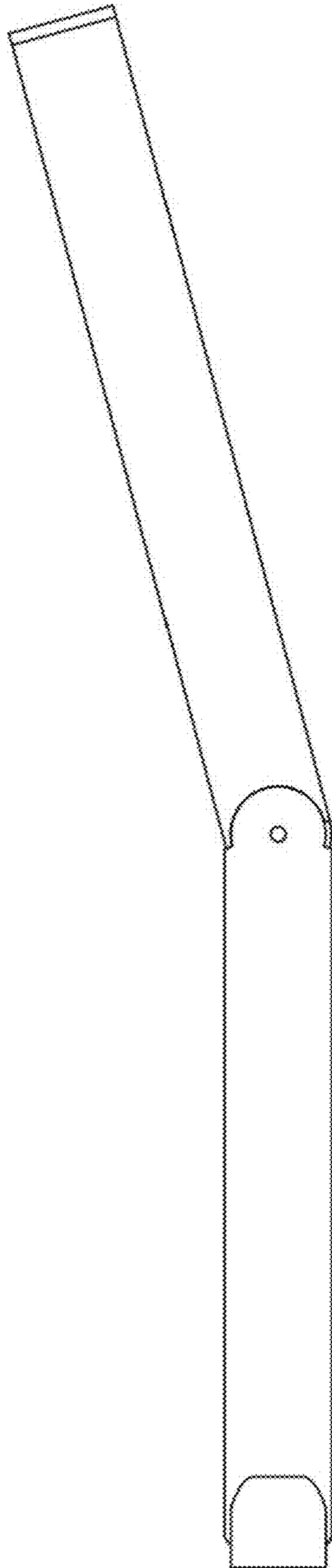
1.16



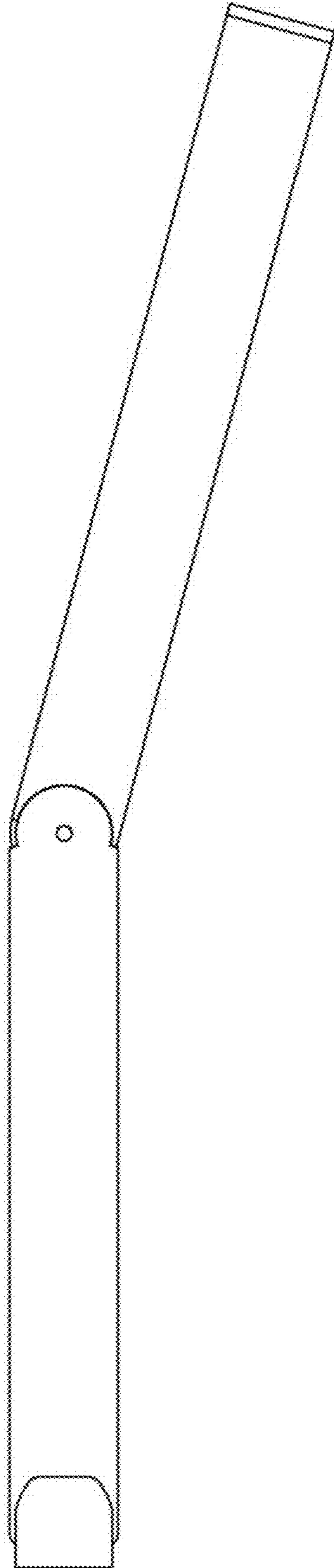
1.17



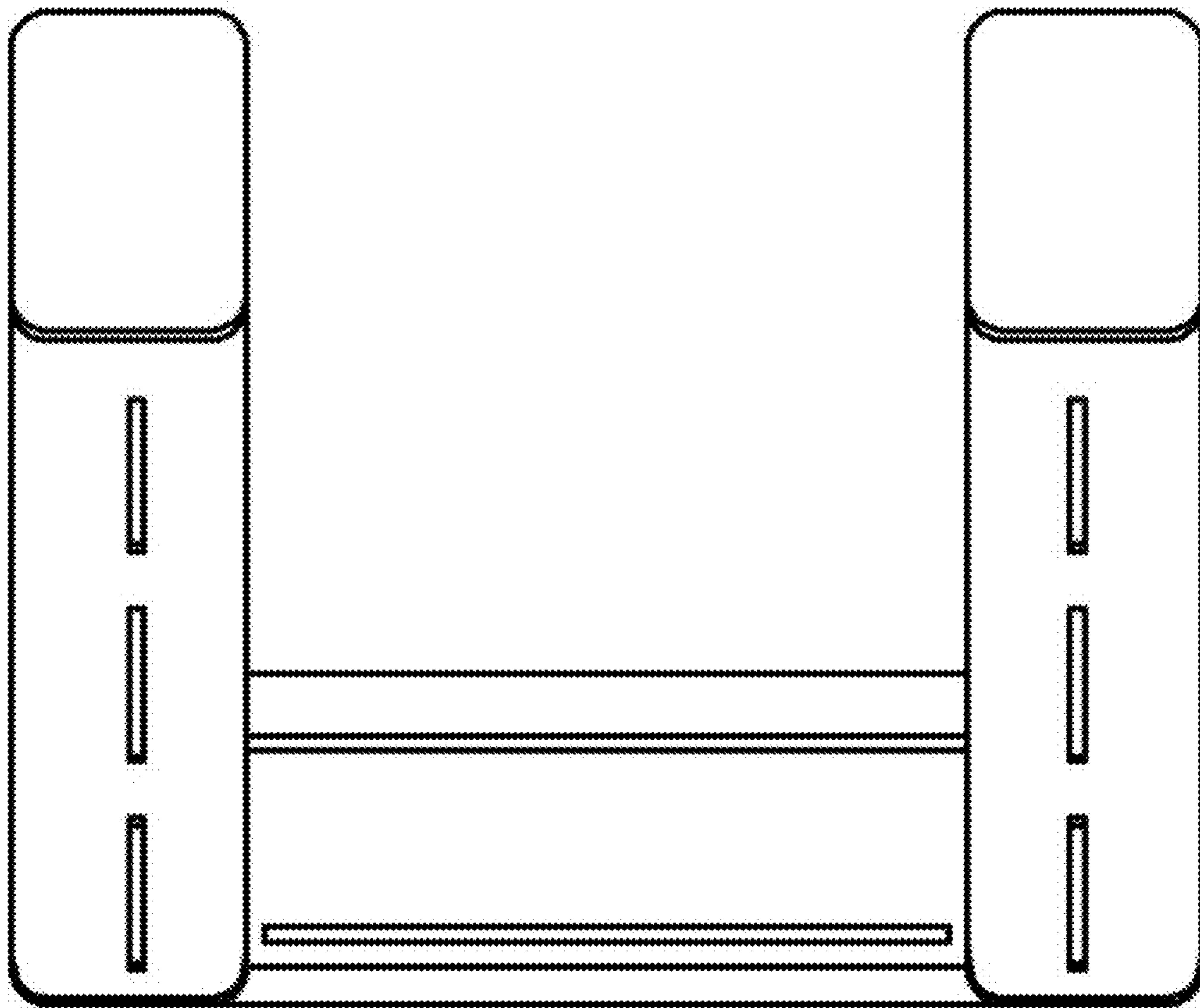
1.18



1.19



1.20





1.21

