

US00D877878S

(12) **United States Design Patent**
Oh et al.

(10) **Patent No.:** **US D877,878 S**
(45) **Date of Patent:** **** Mar. 10, 2020**

(54) **AIR MULTIPLIER FAN HEAD**
(71) Applicant: **LG ELECTRONICS INC.**, Seoul (KR)
(72) Inventors: **Chohee Oh**, Seoul (KR); **Kyoungjin Ku**, Seoul (KR); **Sora Kim**, Seoul (KR); **Hangjin Ban**, Seoul (KR)
(73) Assignee: **LG ELECTRONICS INC.**, Seoul (KR)

D728,092 S *	4/2015	Poulton	D23/342
D728,769 S *	5/2015	Dyson	D23/342
D729,372 S *	5/2015	McPherson	D23/370
D729,376 S *	5/2015	McPherson	D23/370
D729,925 S *	5/2015	McPherson	D23/370
D768,839 S *	10/2016	Peet	D23/370
D768,842 S *	10/2016	Peet	D23/370
D783,140 S *	4/2017	Poulton	D23/370
D783,142 S *	4/2017	Poulton	D23/370
D783,143 S *	4/2017	Poulton	D23/370
D790,678 S *	6/2017	Chang	D23/351
D790,681 S *	6/2017	Poulton	D23/370
D818,570 S *	5/2018	Kim	D23/370
D841,796 S *	2/2019	Freeland	D23/382

(**) Term: **15 Years**

* cited by examiner

(21) Appl. No.: **35/506,405**

Primary Examiner — Khawaja Anwar

(22) Filed: **Sep. 13, 2018**

(74) *Attorney, Agent, or Firm* — Birch, Stewart, Kolasch & Birch, LLP

(80) **Hague Agreement Data**

Int. Filing Date: **Sep. 13, 2018**
Int. Reg. No.: **DM/103776**
Int. Reg. Date: **Sep. 13, 2018**
Int. Reg. Pub. Date: **Mar. 15, 2019**

(57) **CLAIM**

The ornamental design for an air multiplier fan head, as shown and described.

(30) **Foreign Application Priority Data**

Apr. 16, 2018 (KR) 30-2018-0017832

(51) **LOC (12) Cl.** **23-04**

DESCRIPTION

(52) **U.S. Cl.**
USPC **D23/370**

(58) **Field of Classification Search**
USPC D23/336, 337, 342, 355, 356, 385, 386
CPC ... F24F 11/30; F24F 11/62; F24F 7/04; F28D 15/0233; F28D 15/0275
See application file for complete search history.

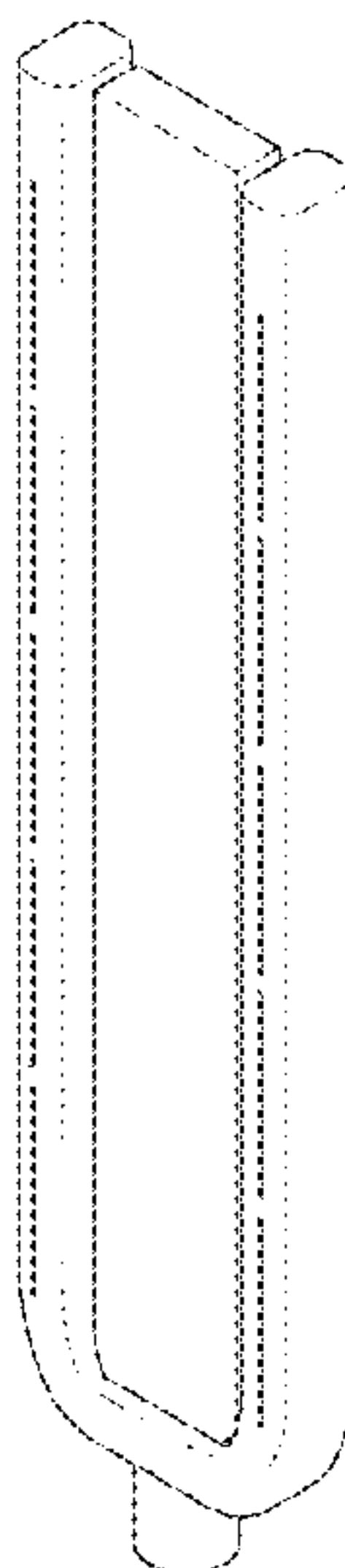
- 1. Air multiplier fan head
- 1.1 : Perspective
- 1.2 : Rear perspective view
- 1.3 : Front
- 1.4 : Back
- 1.5 : Left
- 1.6 : Right
- 1.7 : Top
- 1.8 : Bottom

(56) **References Cited**

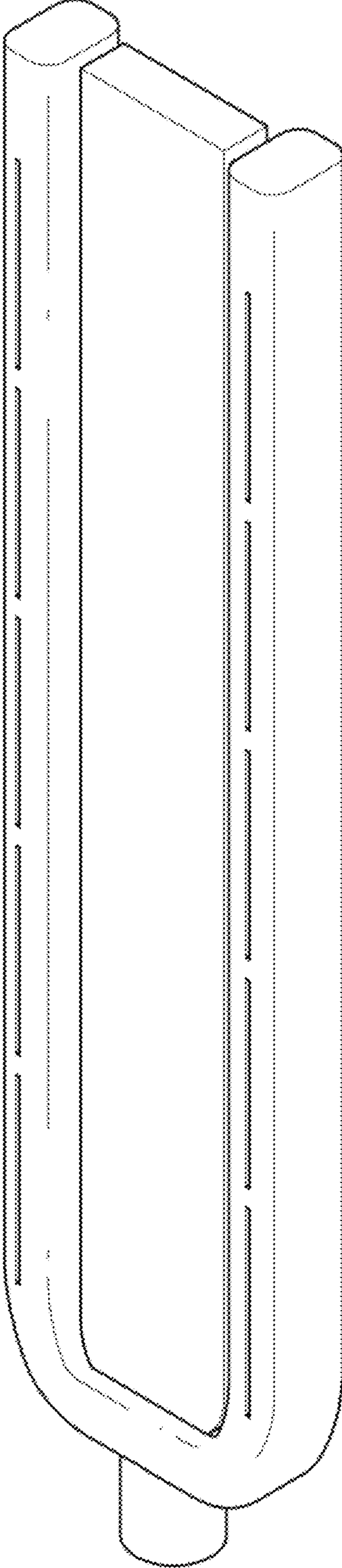
U.S. PATENT DOCUMENTS

D602,144 S * 10/2009 Dyson F04F 5/16
D23/370
D672,023 S * 12/2012 Wallace D23/332

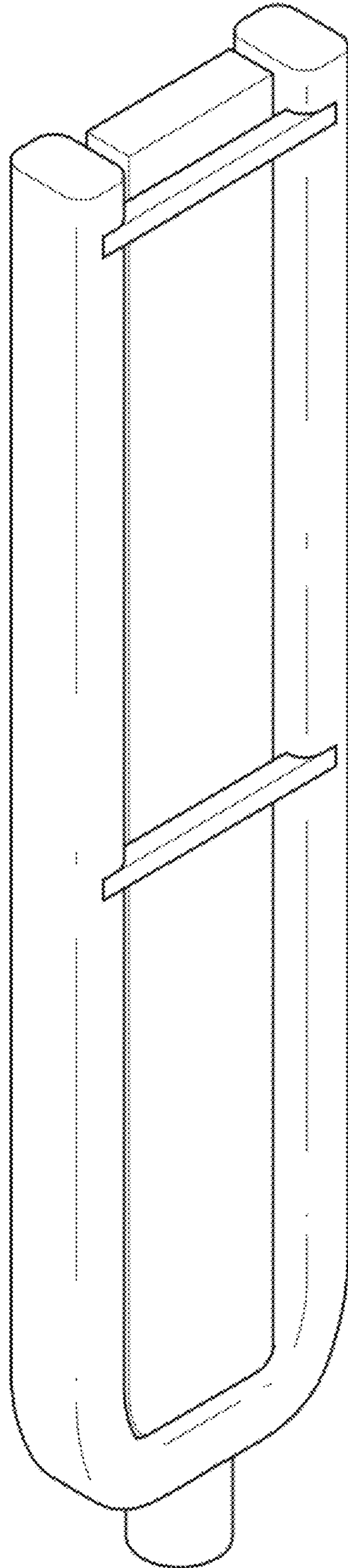
1 Claim, 8 Drawing Sheets



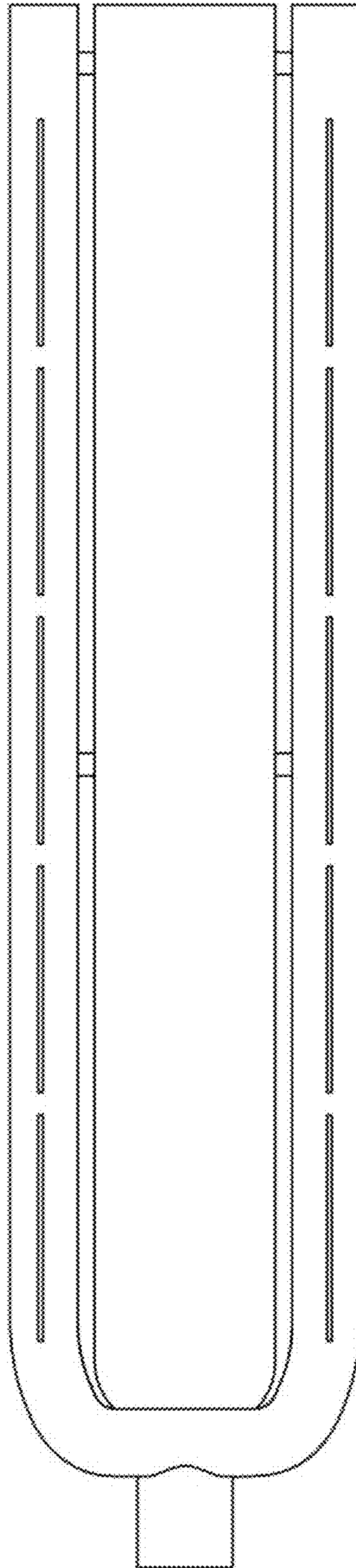
1.1



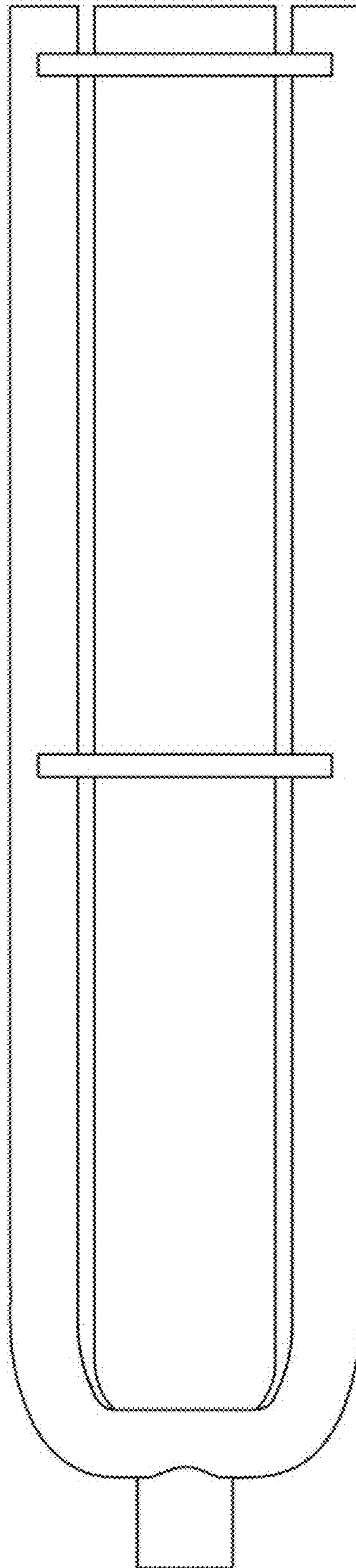
1.2



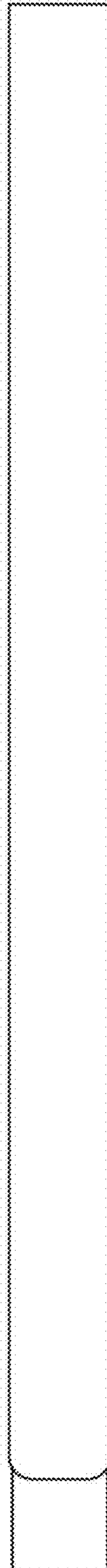
1.3



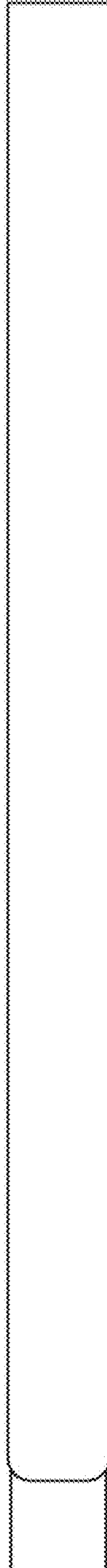
1.4



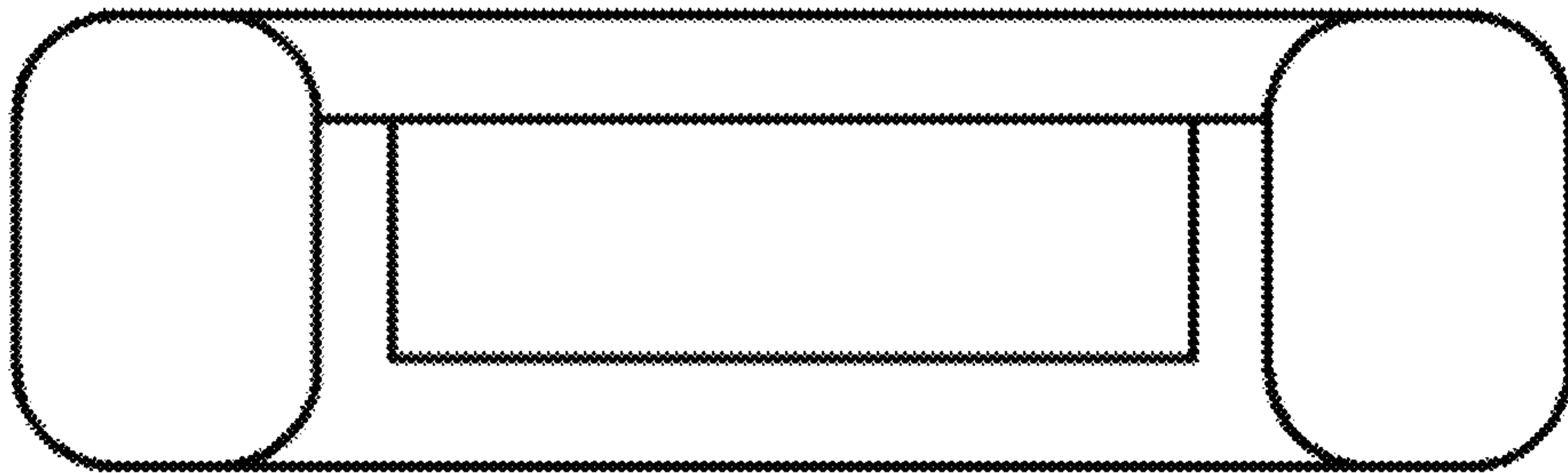
1.5



1.6



1.7



1.8

