



US00D877872S

(12) **United States Design Patent**  
**Sloan et al.**

(10) **Patent No.:** **US D877,872 S**  
(45) **Date of Patent:** **\*\* Mar. 10, 2020**

(54) **PORTABLE DEHUMIDIFIER**  
(71) Applicant: **Therma-Stor LLC**, Madison, WI (US)  
(72) Inventors: **Scott E. Sloan**, Sun Prairie, WI (US);  
**Todd R. DeMonte, Jr.**, Cottage Grove,  
WI (US); **James A. Scharping**,  
Madison, WI (US); **Keith Michael**  
**Reagan**, Sun Prairie, WI (US); **Martin**  
**Leigh Jahn**, Monona, WI (US); **Clifton**  
**Tomasini**, Madison, WI (US)

(73) Assignee: **Therma-Stor LLC**, Madison, WI (US)

(\*\*) Term: **15 Years**

(21) Appl. No.: **29/649,537**

(22) Filed: **May 31, 2018**

(51) **LOC (12) Cl.** ..... **28-99**

(52) **U.S. Cl.**  
USPC ..... **D23/359**

(58) **Field of Classification Search**  
USPC ..... D23/355-366, 352, 369, 332, 333, 335,  
D23/336, 342, 351; 422/120, 122;  
55/356, 473, 504; 96/97; D14/188, 170,  
D14/172; 261/DIG. 17, DIG. 42,  
261/DIG. 65; D18/34.6; D28/5, 6;  
392/386, 390, 394, 395; 239/34, 44, 53,  
239/55, 56, 326  
CPC .. A61L 9/16; A61L 9/22; B01D 47/00; B01D  
47/027; B01D 2221/02; B01D 2259/4508;  
B03C 3/155; B03C 3/368; F24F 3/16;  
F24F 13/20; F24F 13/28; F24F  
2001/0096

See application file for complete search history.

(56) **References Cited**

**U.S. PATENT DOCUMENTS**

D110,808 S \* 8/1938 Gatons ..... D23/342  
2,584,618 A \* 2/1952 Robic ..... F24F 6/06  
261/92

D171,429 S \* 2/1954 Thompson ..... D23/359  
D287,274 S \* 12/1986 Crowley ..... D23/356  
D315,596 S \* 3/1991 Botheras ..... D23/332  
D478,564 S \* 8/2003 Rizzi ..... D14/188  
D503,971 S \* 4/2005 Otaki ..... D15/79  
D590,487 S \* 4/2009 Chen ..... D23/333  
D612,038 S \* 3/2010 Jorgensen ..... D23/366  
D731,632 S \* 6/2015 Kulp ..... D23/359  
D741,466 S \* 10/2015 Satou ..... D23/364  
D819,797 S \* 6/2018 Mann ..... D23/364  
2014/0150488 A1 \* 6/2014 Black ..... F24F 3/14  
62/404

\* cited by examiner

*Primary Examiner* — Nathan M Johnston

(74) *Attorney, Agent, or Firm* — Baker Botts L.L.P.

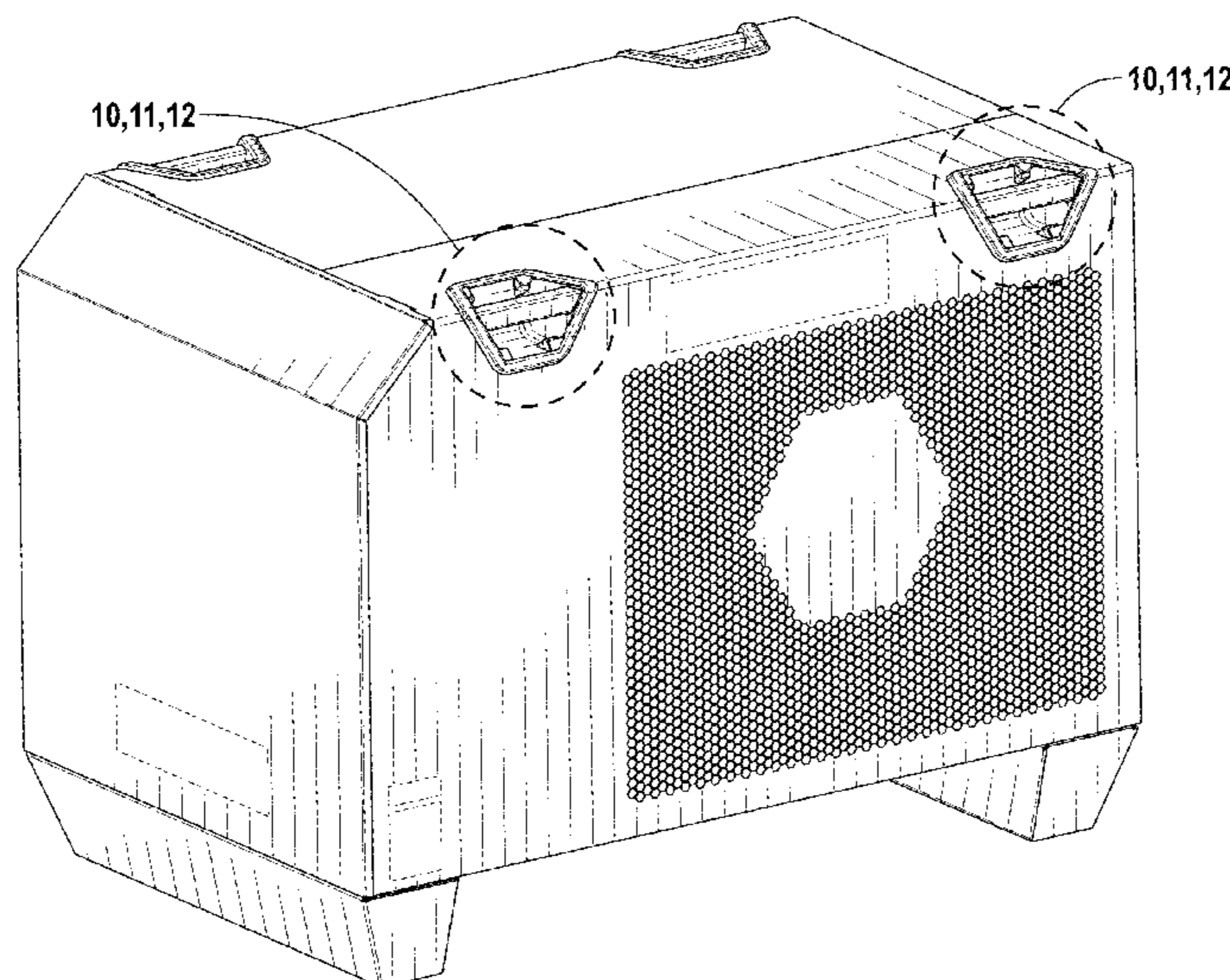
(57) **CLAIM**

The ornamental design for a portable dehumidifier, as shown and described.

**DESCRIPTION**

FIG. 1 is a perspective view of a portable dehumidifier showing our new design;  
FIG. 2 is a front elevation view thereof;  
FIG. 3 is a rear elevation view thereof;  
FIG. 4 is a left side elevation view thereof;  
FIG. 5 is a right side elevation view thereof;  
FIG. 6 is a top plan view thereof;  
FIG. 7 is a bottom plan view thereof;  
FIG. 8 is another perspective view thereof;  
FIG. 9 is another perspective view thereof;  
FIG. 10 is an enhanced perspective view of the indicated portions of the portable dehumidifier of FIG. 1;  
FIG. 11 is another enhanced perspective view of the indicated portions of the portable dehumidifier of FIG. 1; and,  
FIG. 12 is another enhanced perspective view of the indicated portions of the portable dehumidifier of FIG. 1.  
The broken lines show portions of the design that form no part of the claimed design.

**1 Claim, 10 Drawing Sheets**



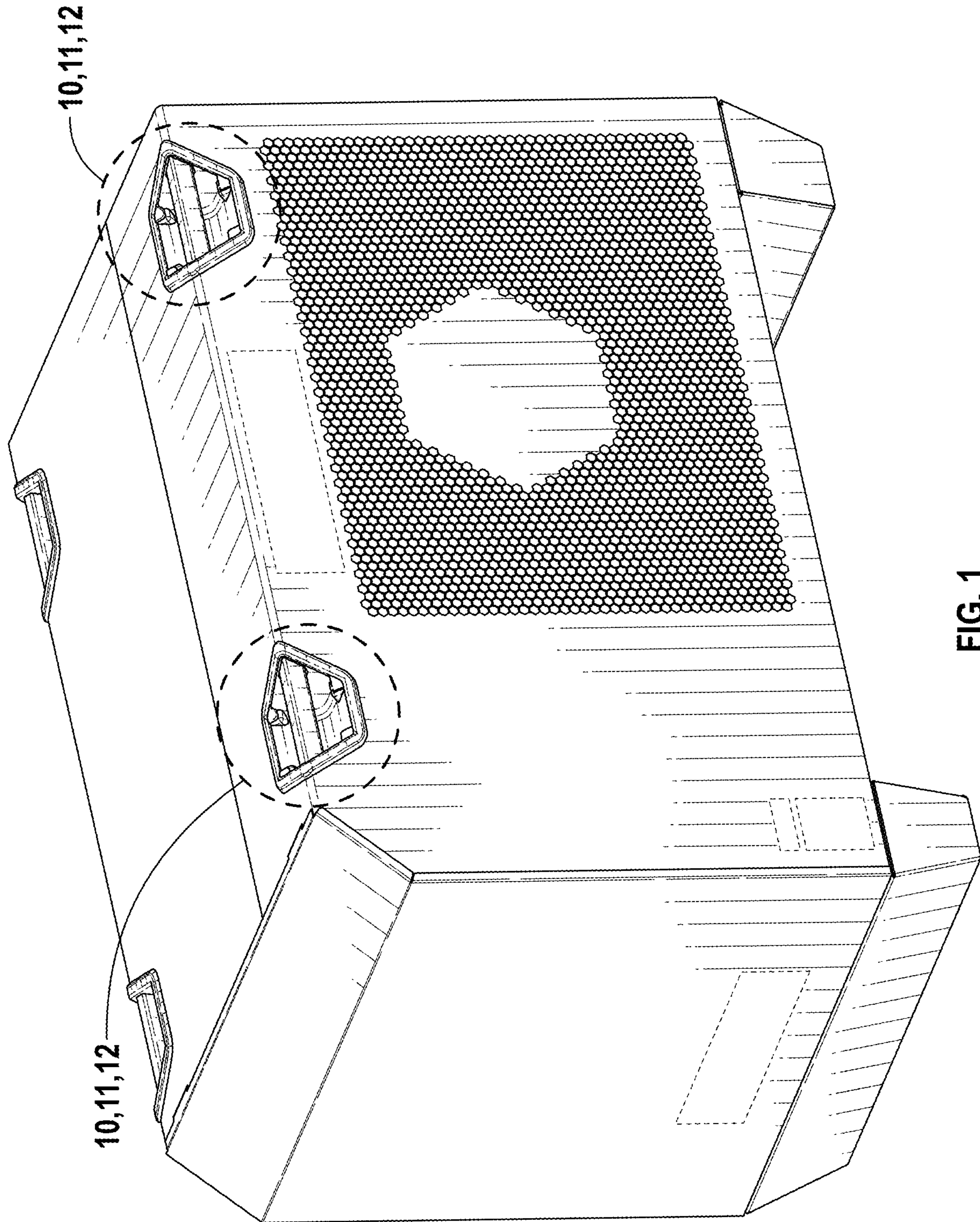


FIG. 1

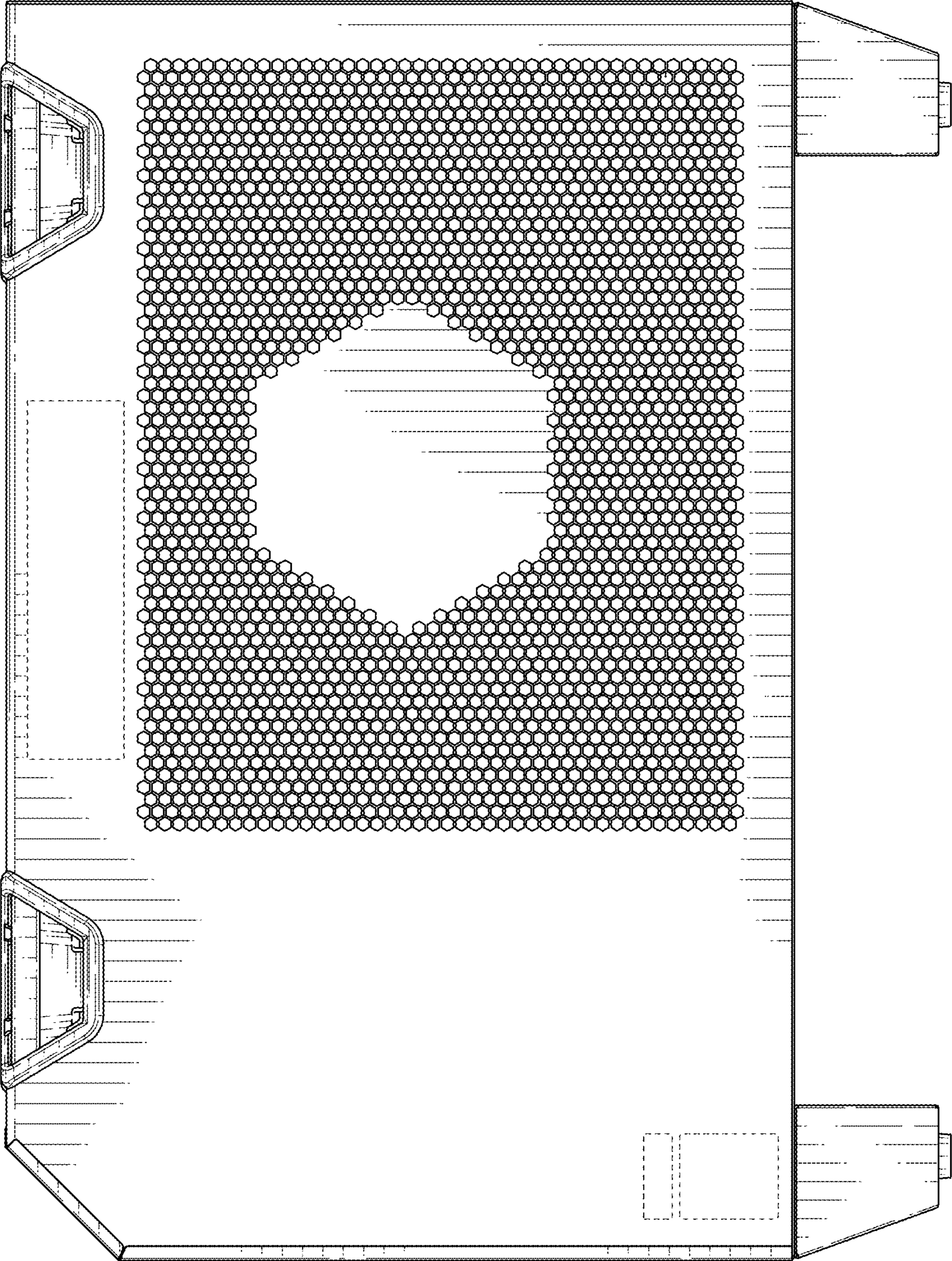


FIG. 2

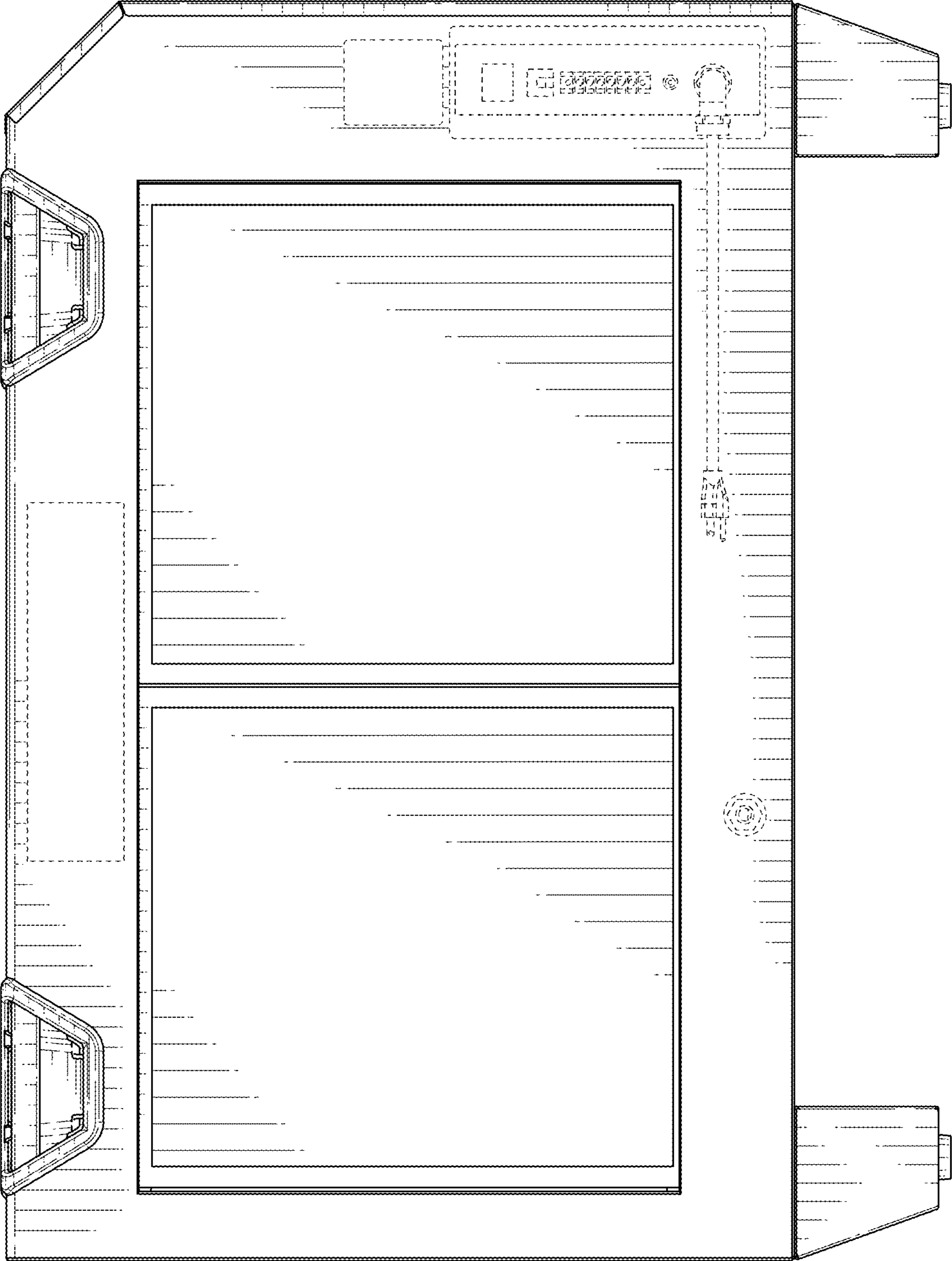


FIG. 3

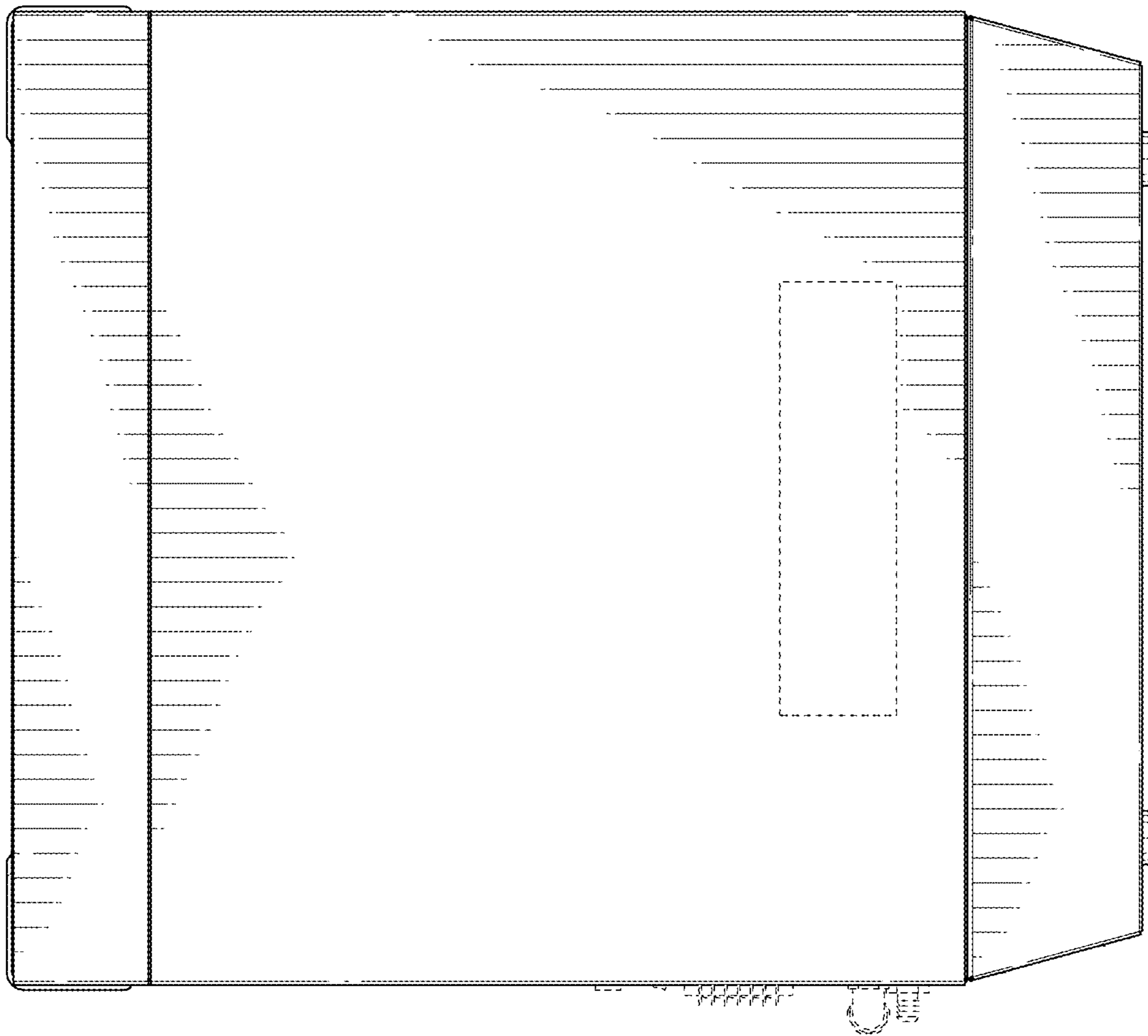


FIG. 4

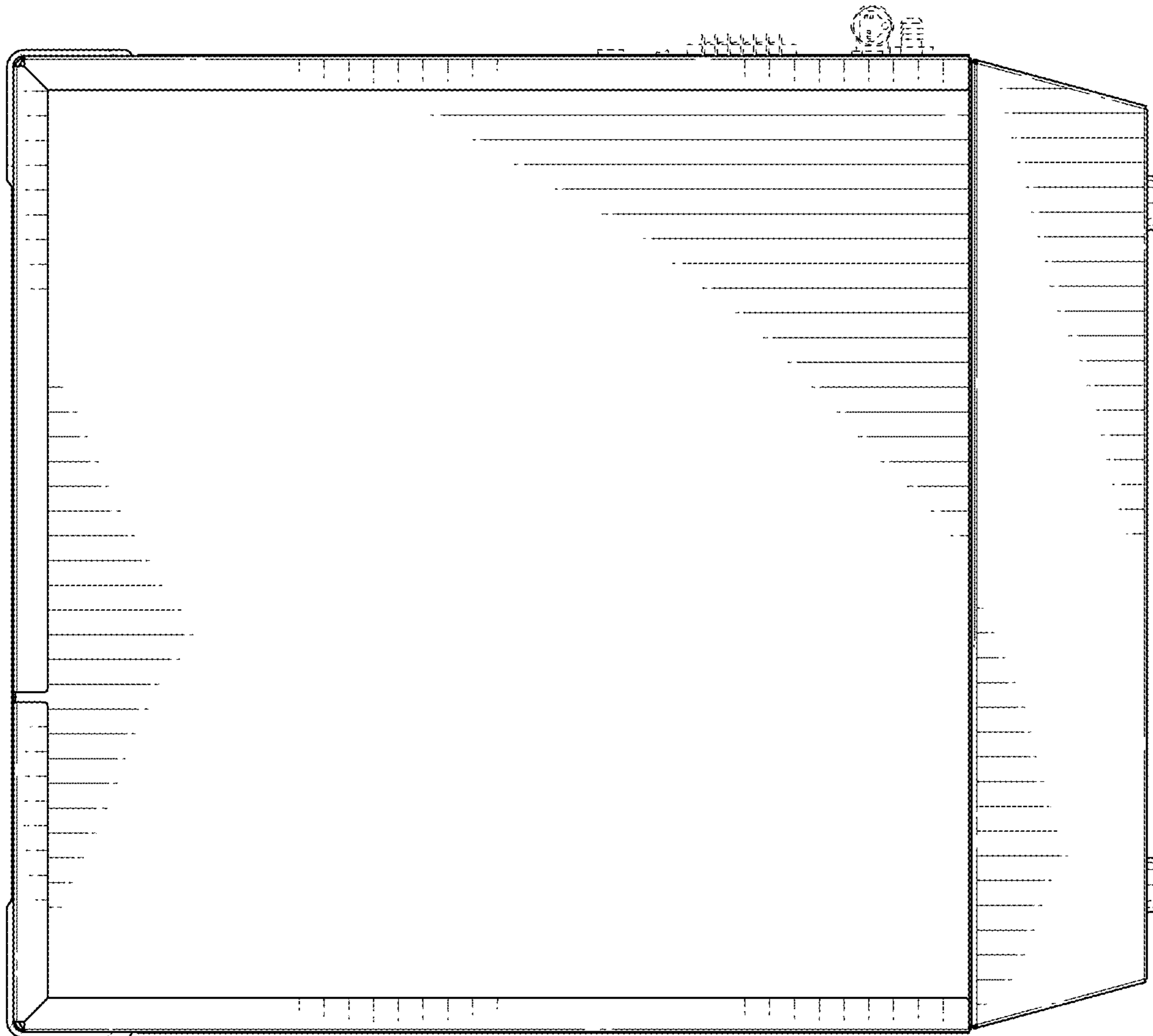


FIG. 5

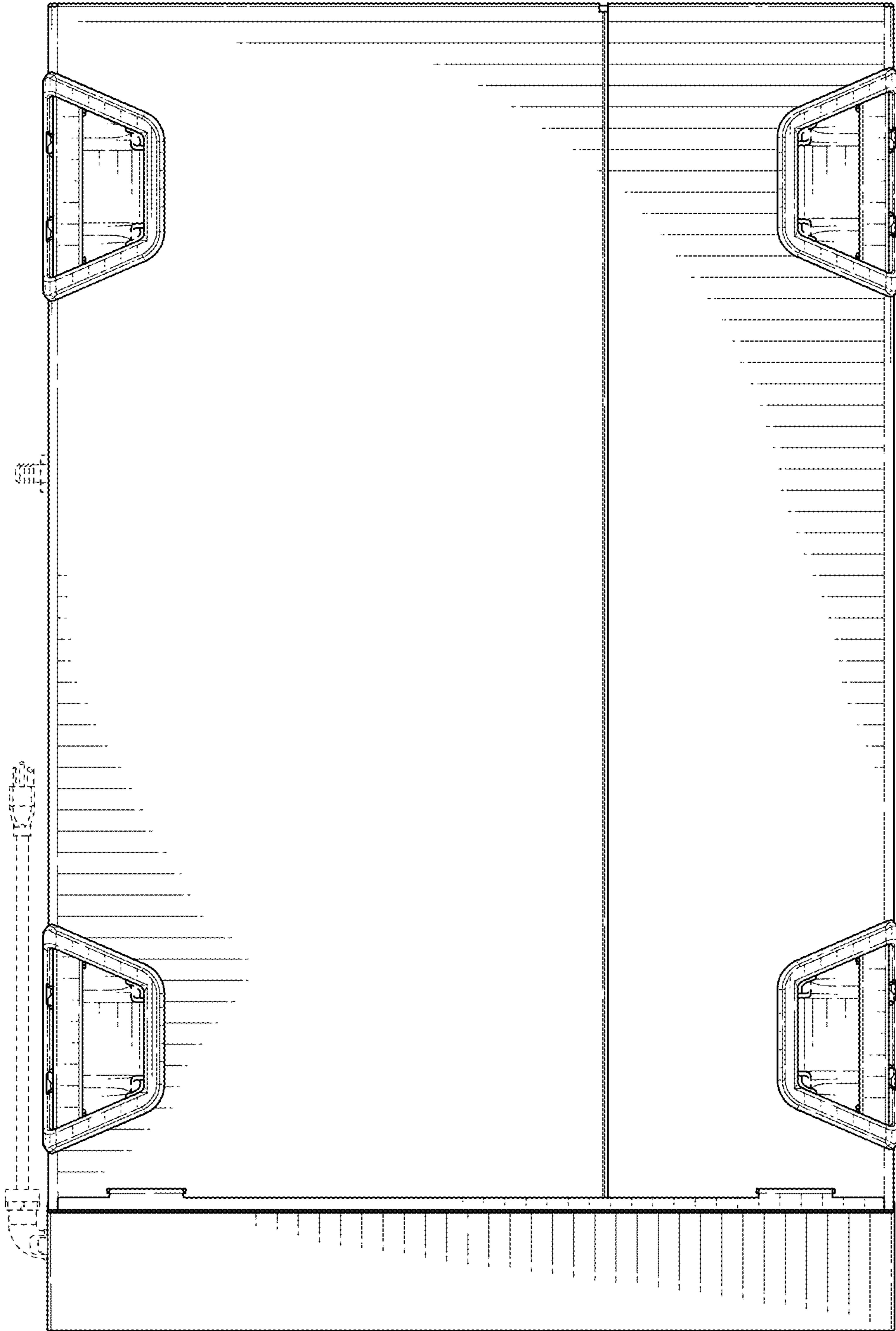


FIG. 6

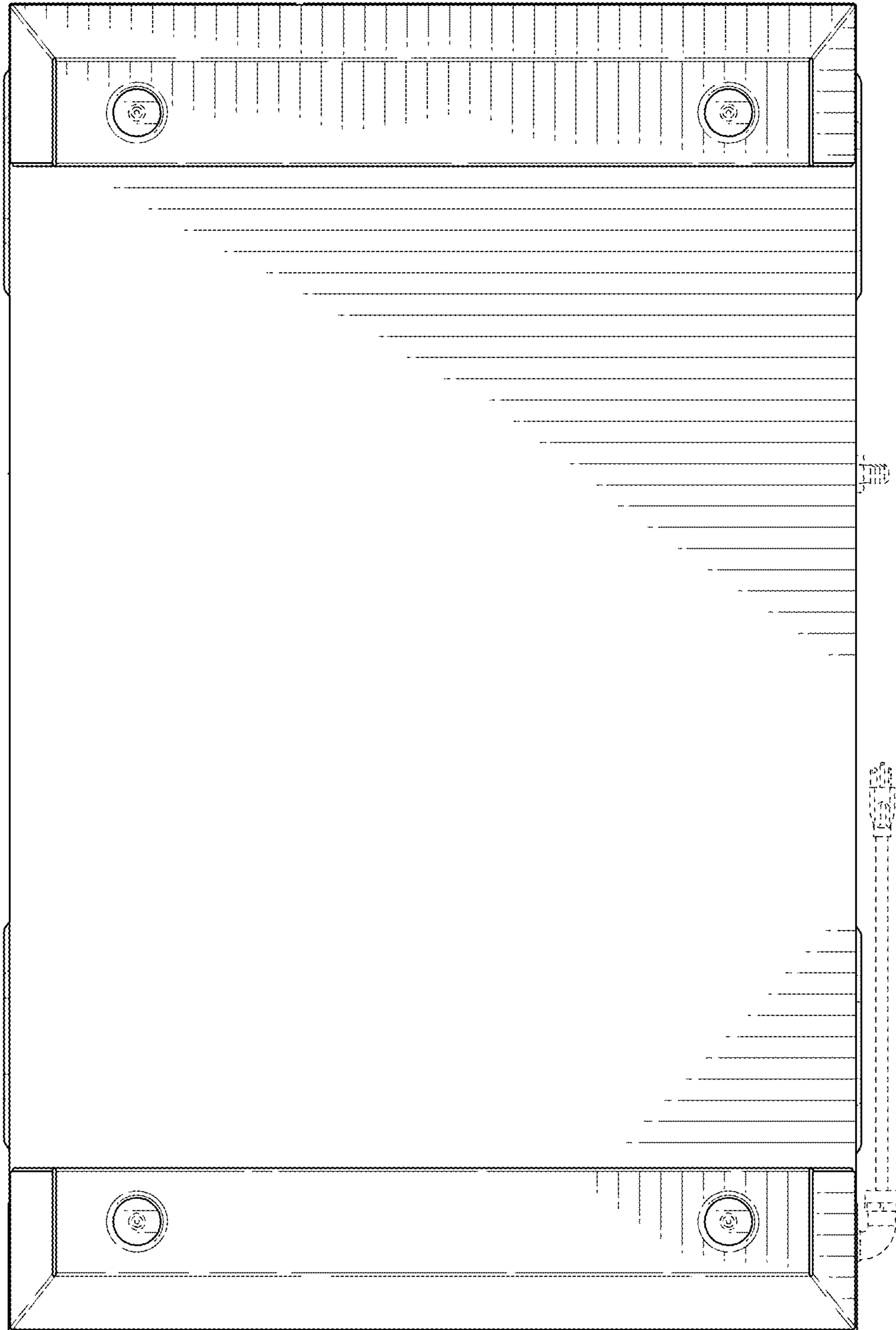


FIG. 7



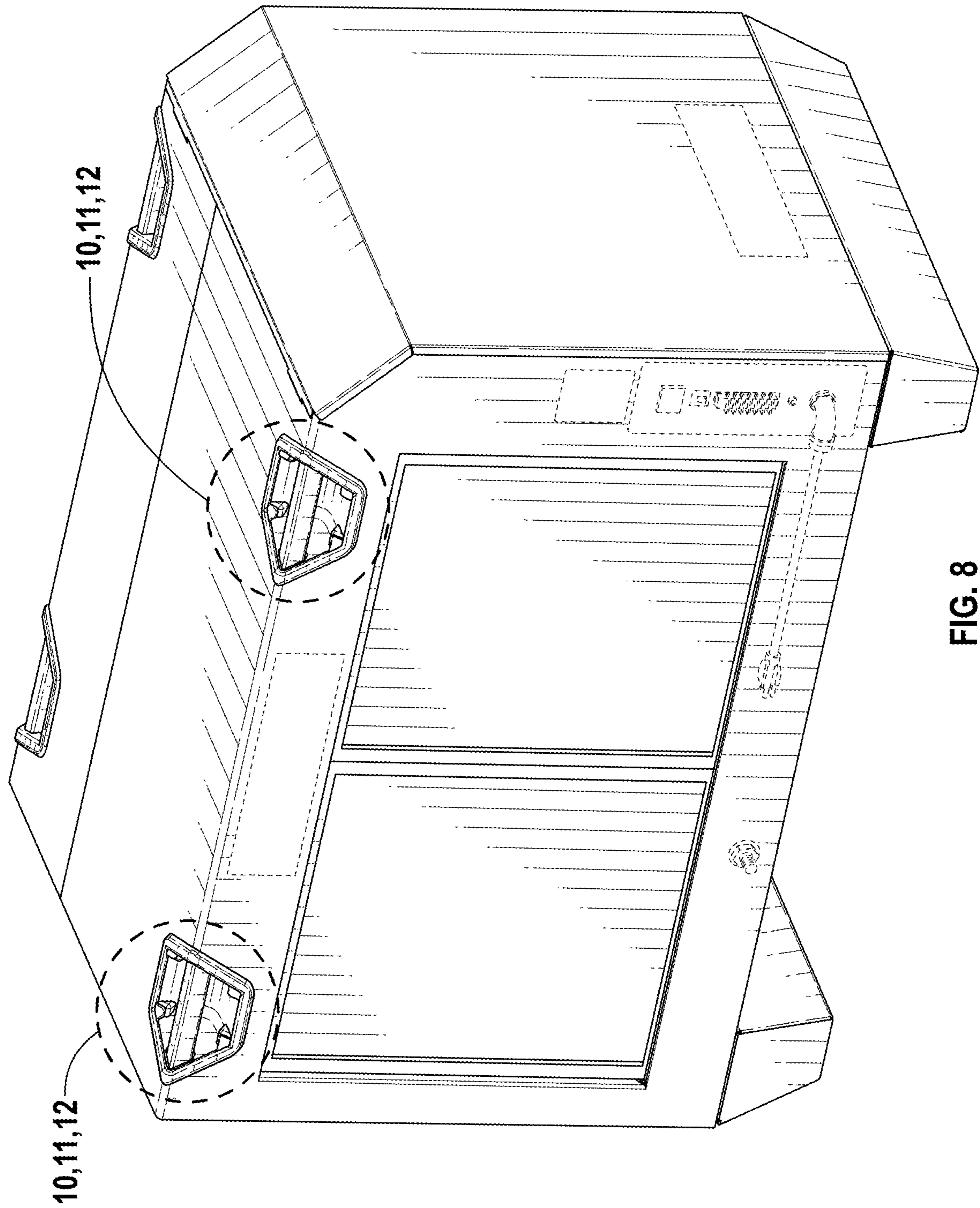


FIG. 8

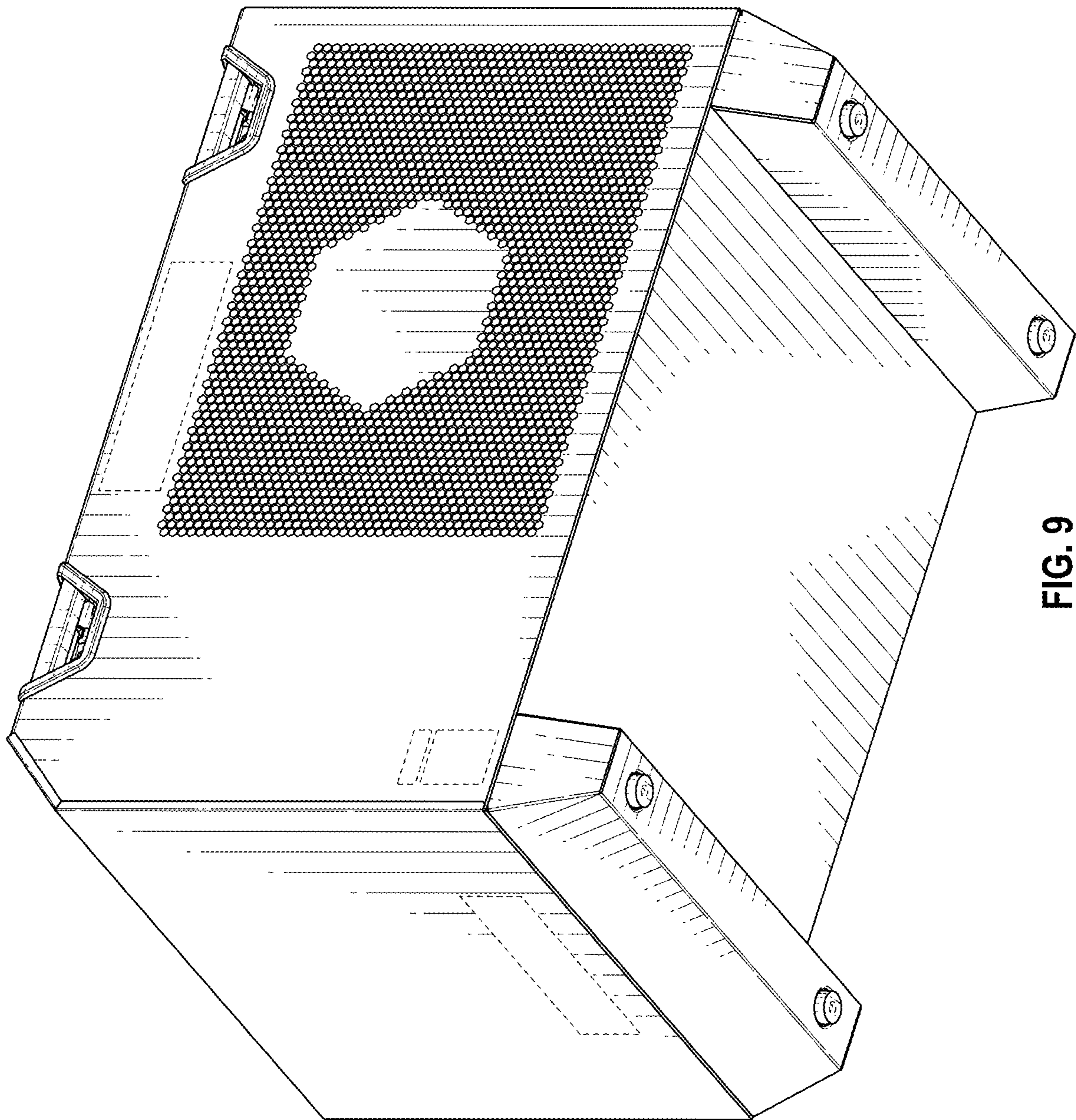


FIG. 9

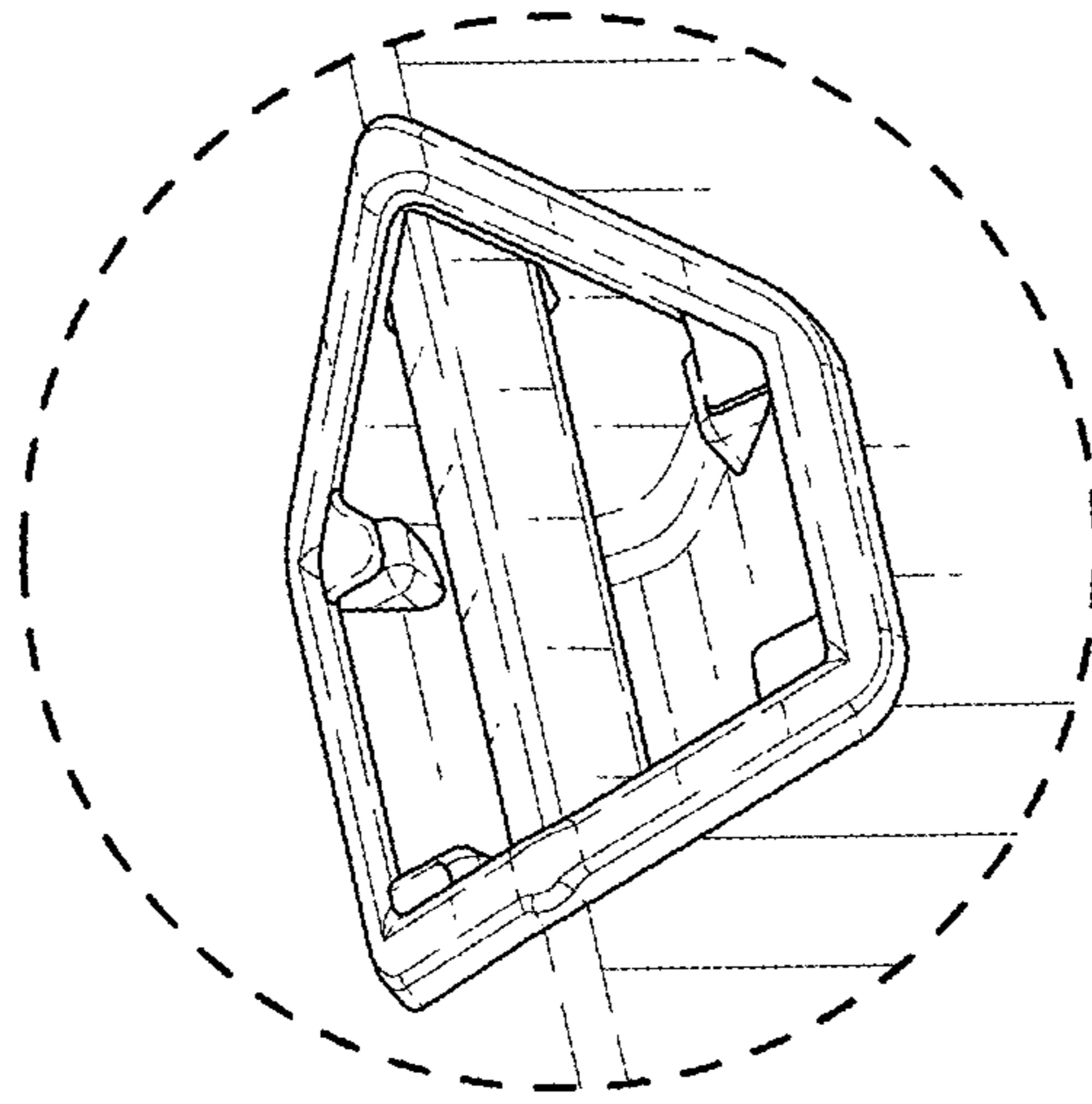


FIG. 10

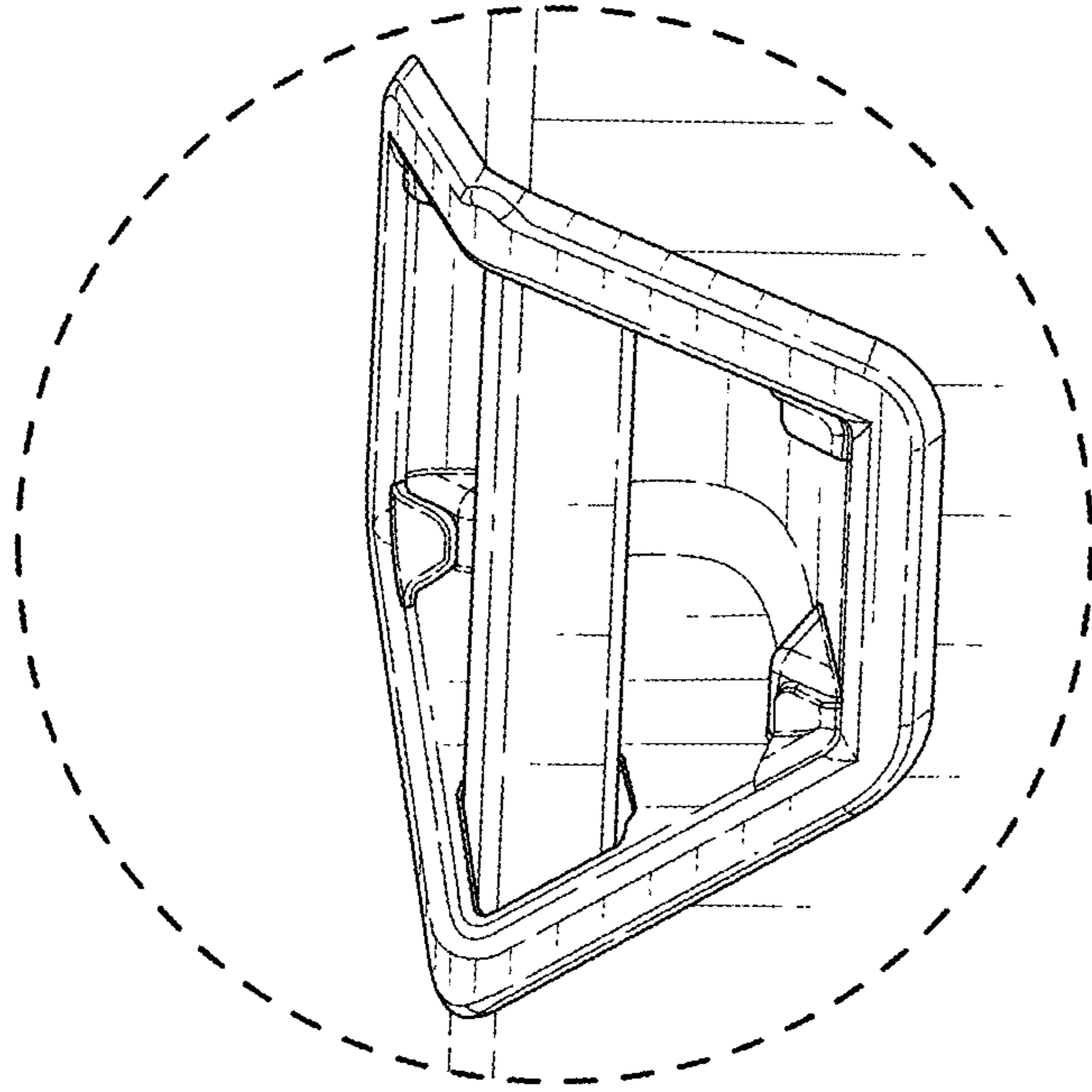


FIG. 11

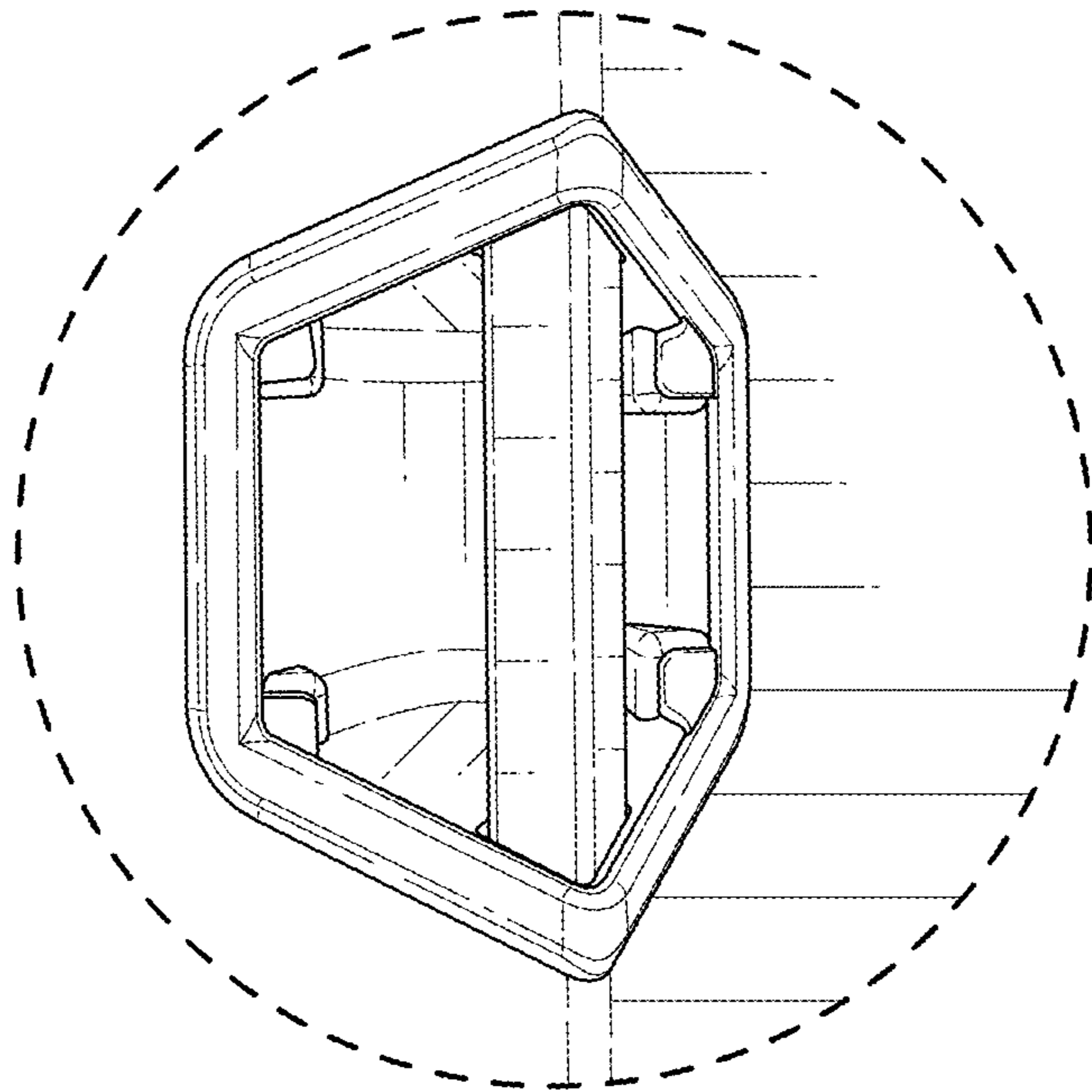


FIG. 12