



US00D877870S

(12) **United States Design Patent**
Schanzenbach et al.

(10) **Patent No.:** **US D877,870 S**

(45) **Date of Patent:** **** *Mar. 10, 2020**

- (54) **SINK**
- (71) Applicant: **BLANCO GmbH + Co KG**,
Oberderdingen (DE)
- (72) Inventors: **Timo Schanzenbach**, Bad Schönborn
(DE); **Brigitte Ziemann**, Eppingen
(DE)
- (73) Assignee: **BLANCO GmbH + Co KG**,
Oberderdingen (DE)
- (*) Notice: This patent is subject to a terminal disclaimer.
- (**) Term: **15 Years**
- (21) Appl. No.: **29/622,261**
- (22) Filed: **Oct. 16, 2017**
- (51) **LOC (12) Cl.** **23-02**
- (52) **U.S. Cl.**
USPC **D23/293.1**
- (58) **Field of Classification Search**
USPC D23/284, 293.1, 287-292, 303, 308;
D9/425
CPC A47K 1/04; A47B 77/06; A47J 47/20
See application file for complete search history.

- D537,925 S * 3/2007 Mahon D23/293.1
- D547,840 S * 7/2007 Ziemann D23/293.1
- D575,380 S * 8/2008 Ziemann D23/293.1
- D598,082 S * 8/2009 Booth D23/284
- D656,228 S * 3/2012 Booth D23/293.1
- D657,028 S * 4/2012 Eilmus D23/284
- D682,998 S * 5/2013 Eilmus D23/284
- D708,309 S * 7/2014 Kurth D23/293.1
- D729,913 S * 5/2015 Eilmus D23/308
- D796,651 S * 9/2017 Ziemann D23/293.1
- D826,385 S * 8/2018 Ziemann D23/293.1

* cited by examiner

Primary Examiner — Lakiya G Rogers
Assistant Examiner — John A Voytek
 (74) *Attorney, Agent, or Firm* — Hanley, Flight and
 Zimmerman, LLC

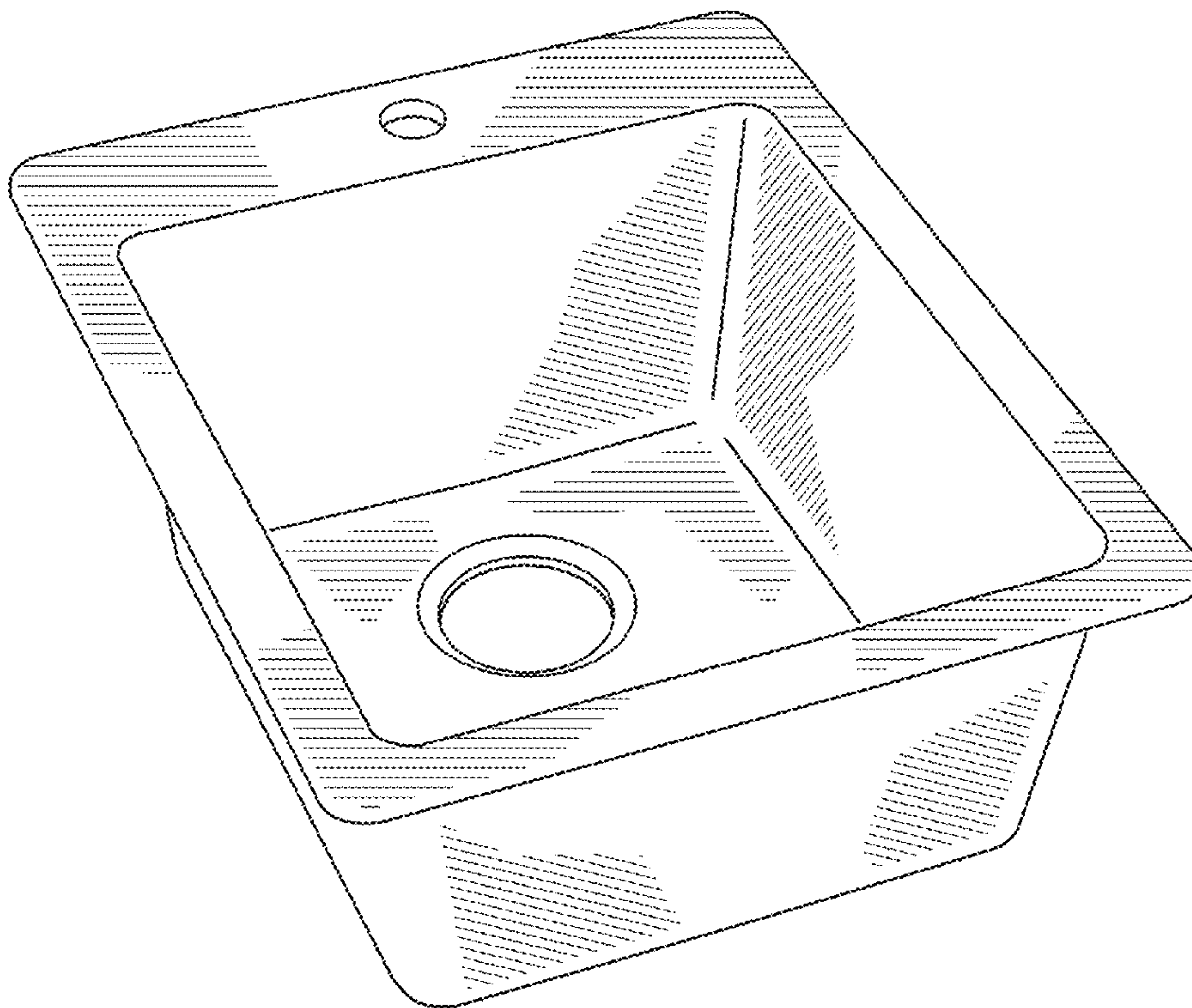
- (56) **References Cited**
U.S. PATENT DOCUMENTS

D380,529 S * 7/1997 Laughton D23/287
D494,664 S * 8/2004 Arnold D23/293.1

(57) **CLAIM**
The ornamental design for a “sink”, as shown and described.

DESCRIPTION
FIG. 1 is a perspective view of a sink.
FIG. 2 is a top plan view of the sink of FIG. 1.
FIG. 3 is a bottom plan view of the sink of FIG. 1.
FIG. 4 is a front view of the sink of FIG. 1.
FIG. 5 is a rear view of the sink of FIG. 1.
FIG. 6 is a right side view of the sink of FIG. 1; and,
FIG. 7 is a left side view of the sink of FIG. 1.
The features shown in broken lines form no part of the
claimed design.

1 Claim, 7 Drawing Sheets



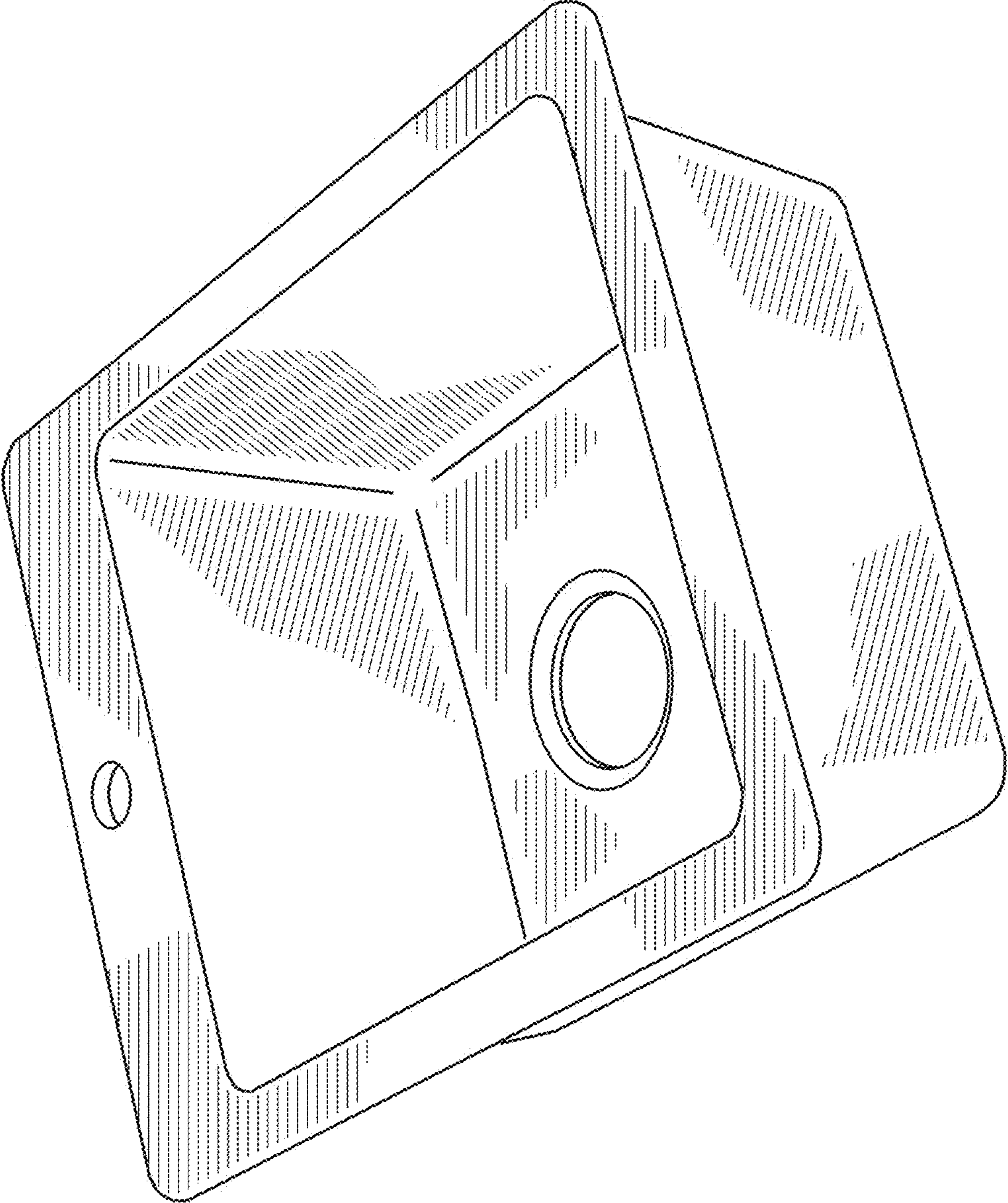


FIG. 1

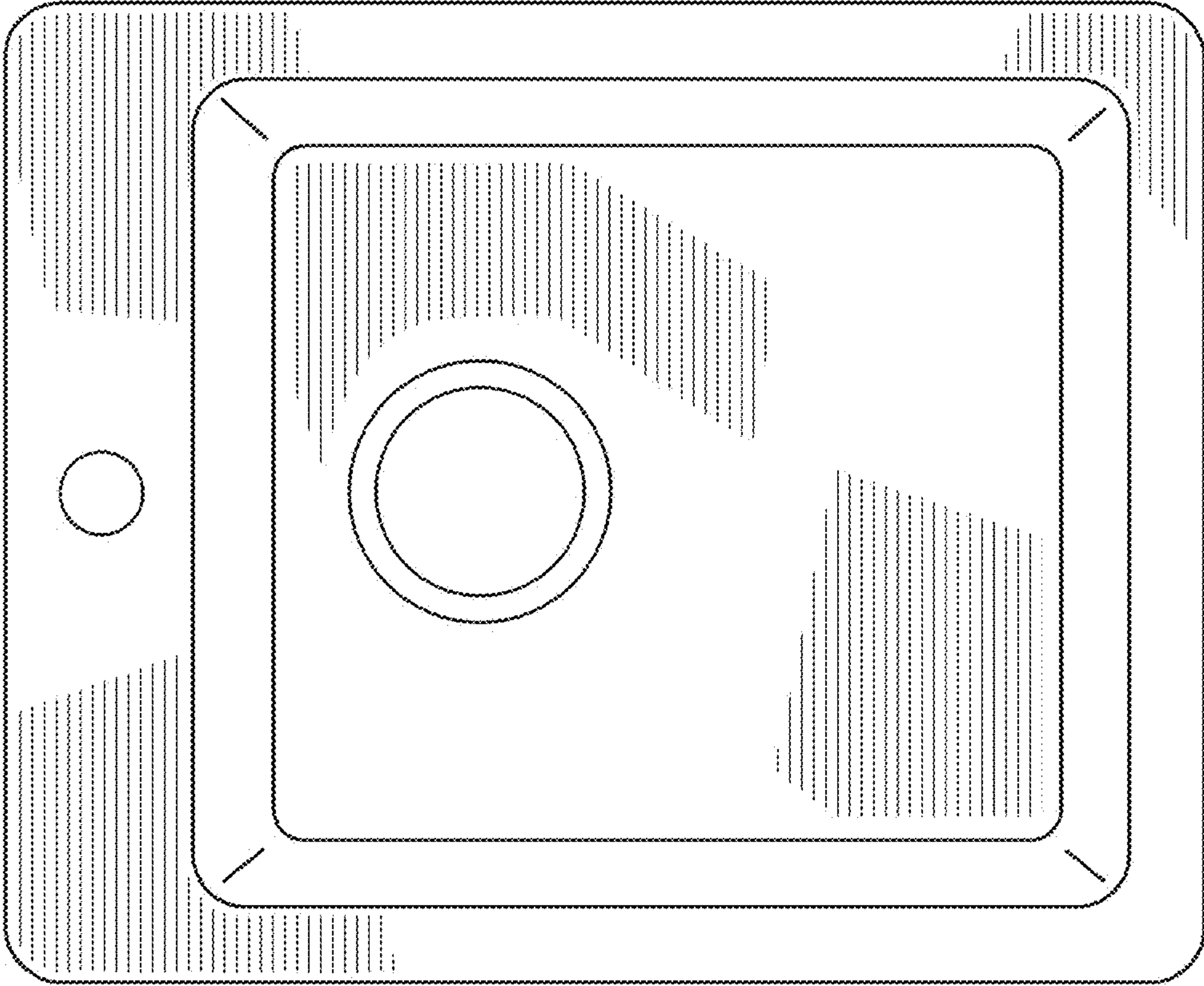


FIG. 2

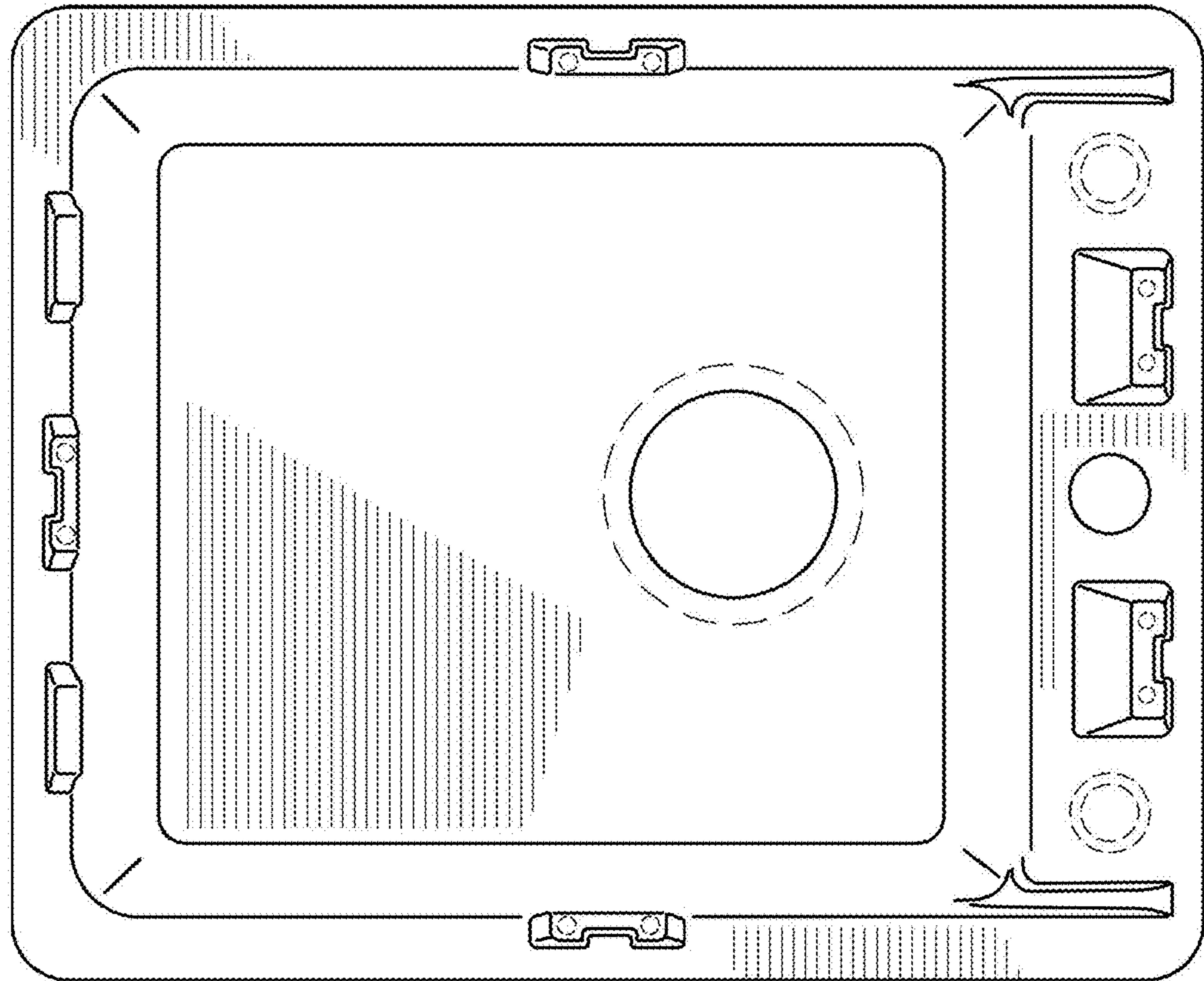


FIG. 3

FIG. 4

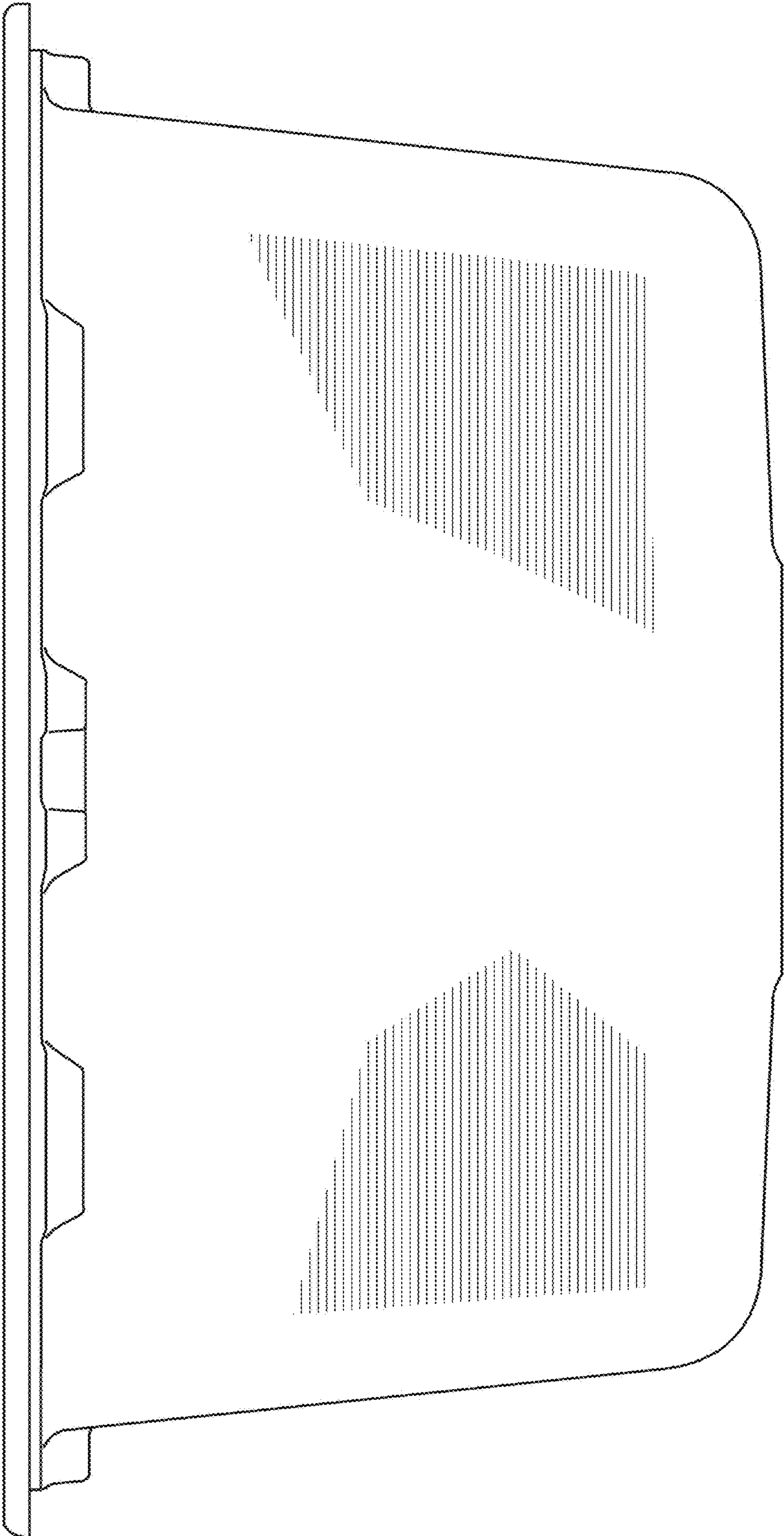


FIG. 5

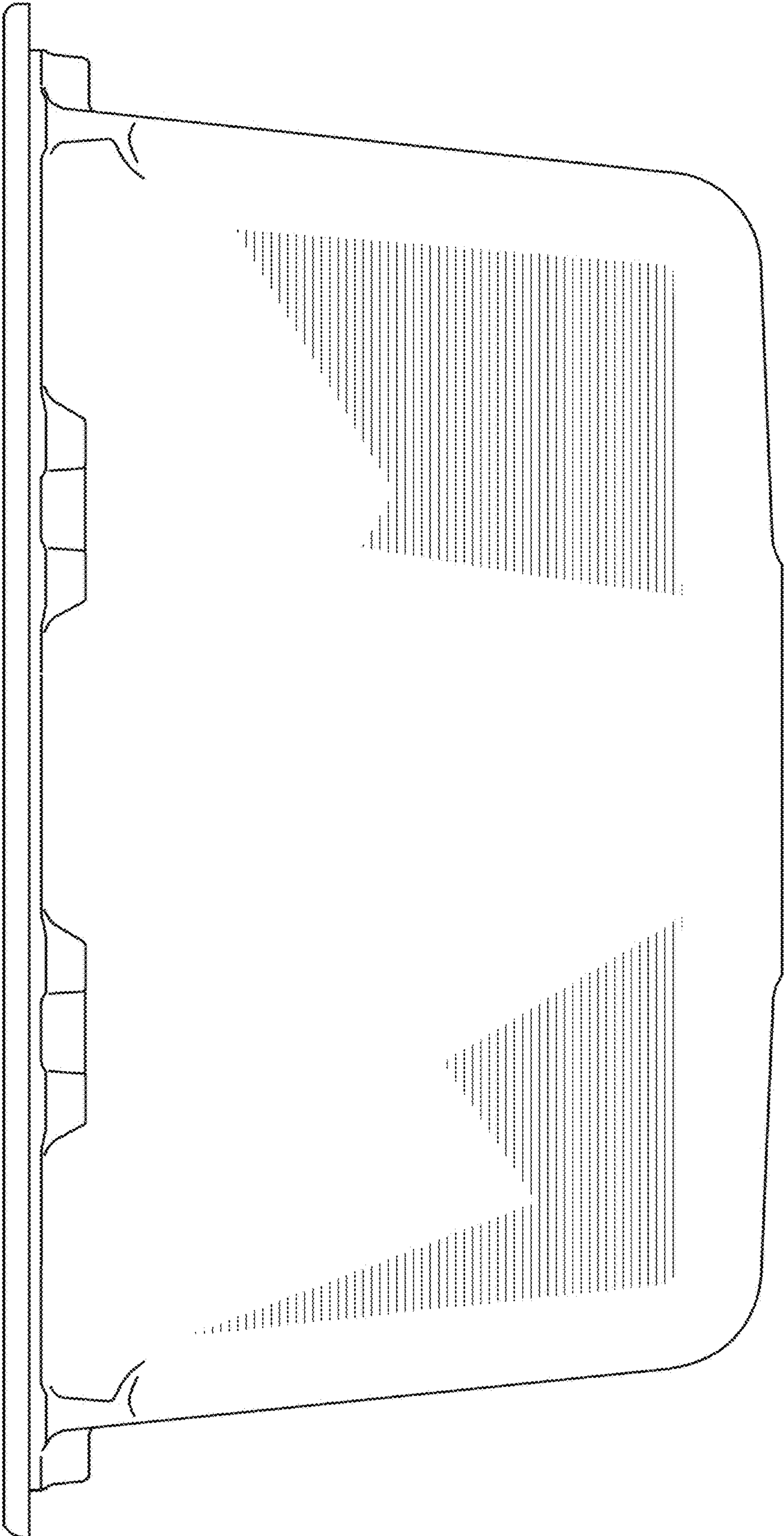


FIG. 6

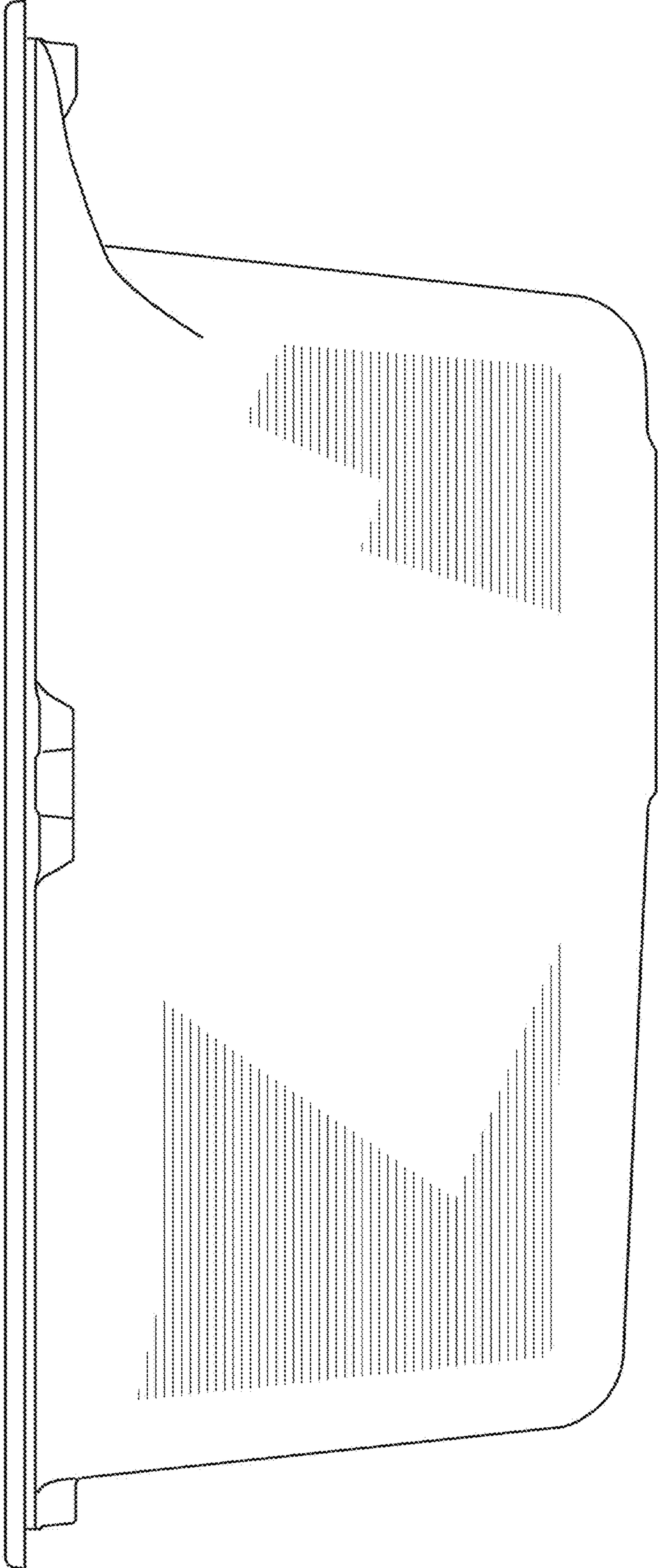


FIG. 7

