



US00D877868S

(12) **United States Design Patent**
Schanzenbach et al.

(10) **Patent No.:** **US D877,868 S**

(45) **Date of Patent:** **** *Mar. 10, 2020**

(54) **SINK**

(71) Applicant: **BLANCO GmbH + Co KG**,
Oberderdingen (DE)

(72) Inventors: **Timo Schanzenbach**, Bad Schönborn
(DE); **Brigitte Ziemann**, Eppingen
(DE)

(73) Assignee: **BLANCO GmbH + Co KG**,
Oberderdingen (DE)

(*) Notice: This patent is subject to a terminal disclaimer.

(**) Term: **15 Years**

(21) Appl. No.: **29/622,258**

(22) Filed: **Oct. 16, 2017**

(51) **LOC (12) Cl.** **23-02**

(52) **U.S. Cl.**
USPC **D23/290**

(58) **Field of Classification Search**
USPC D23/284, 293.1, 287-292, 303, 308;
D9/425
CPC A47K 1/04; A47B 77/06; A47J 47/20
See application file for complete search history.

(56) **References Cited**

U.S. PATENT DOCUMENTS

D478,970 S * 8/2003 Ziemann D23/290
D482,106 S * 11/2003 Ziemann D23/290

D546,926 S * 7/2007 Schneider D23/290
D547,833 S * 7/2007 Mahon D23/290
D585,120 S * 1/2009 Ziemann D23/290
D586,443 S * 2/2009 Ziemann D23/290
D586,445 S * 2/2009 Ziemann D23/290
D586,890 S * 2/2009 Ziemann D23/290
D587,352 S * 2/2009 Ziemann D23/290
D601,675 S * 10/2009 Booth D23/290
D646,365 S * 10/2011 Parekh D23/290
D767,740 S * 9/2016 Lilly D23/290
D796,650 S * 9/2017 Ziemann D23/290

* cited by examiner

Primary Examiner — Lakiya G Rogers

Assistant Examiner — John A Voytek

(74) *Attorney, Agent, or Firm* — Hanley, Flight and
Zimmerman, LLC

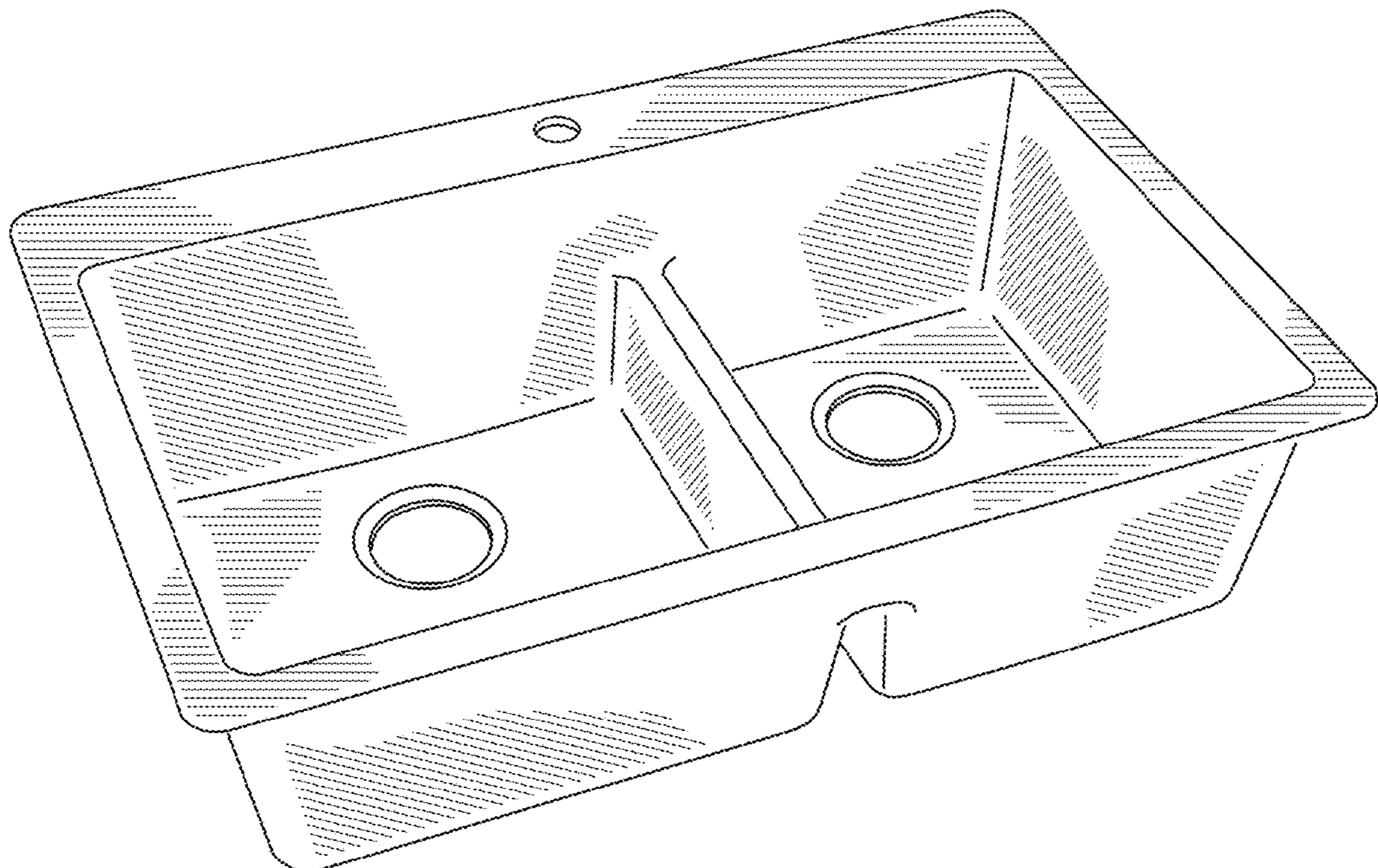
(57) **CLAIM**

The ornamental design for a “sink”, as shown and described.

DESCRIPTION

FIG. 1 is a perspective view of a sink.
FIG. 2 is a top plan view of the sink of FIG. 1.
FIG. 3 is a bottom plan view of the sink of FIG. 1.
FIG. 4 is a front view of the sink of FIG. 1.
FIG. 5 is a rear view of the sink of FIG. 1.
FIG. 6 is a right side view of the sink of FIG. 1; and,
FIG. 7 is a left side view of the sink of FIG. 1.
The features shown in broken lines form no part of the
claimed design.

1 Claim, 7 Drawing Sheets



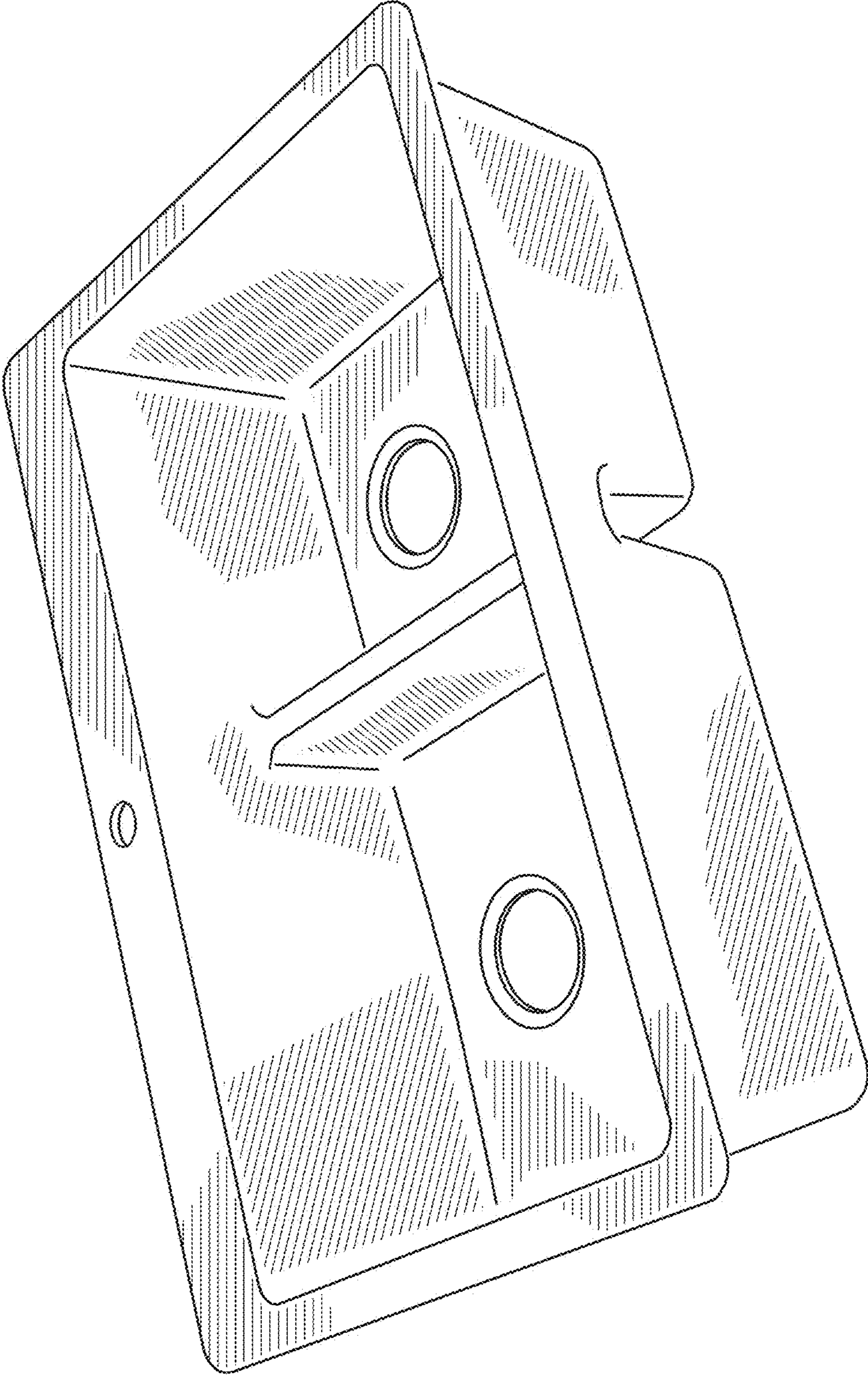


FIG. 1

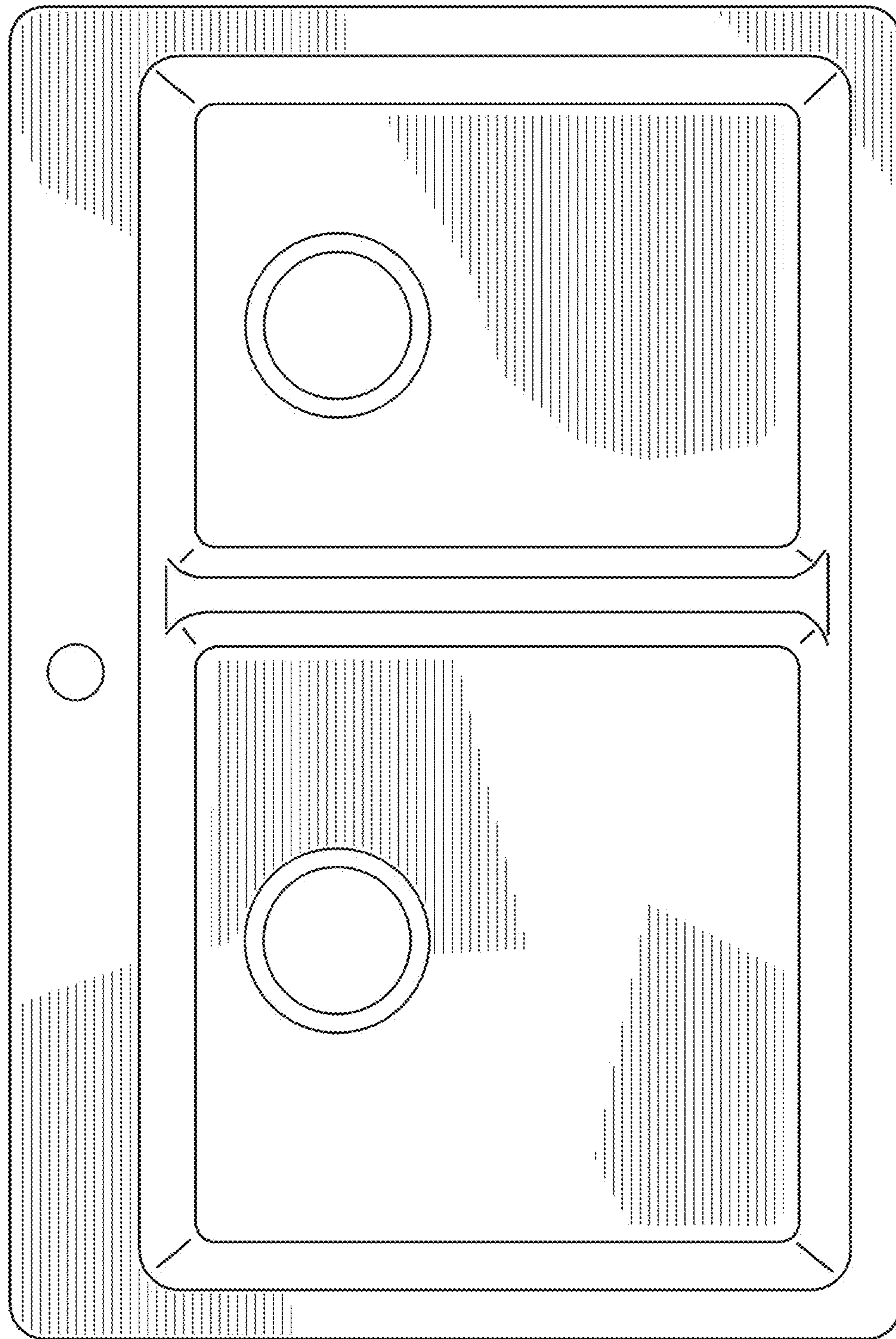


FIG. 2

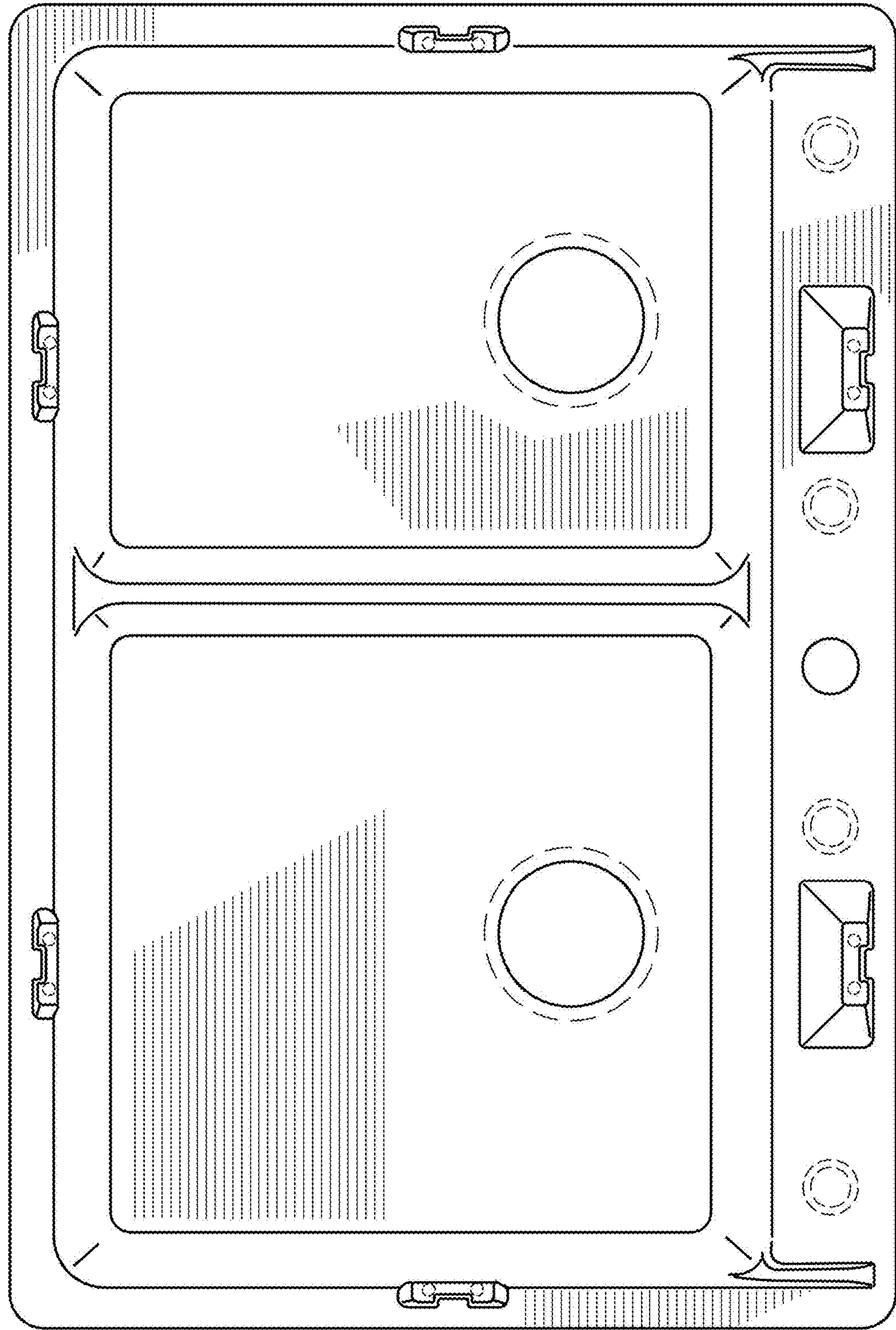


FIG. 3

FIG. 4

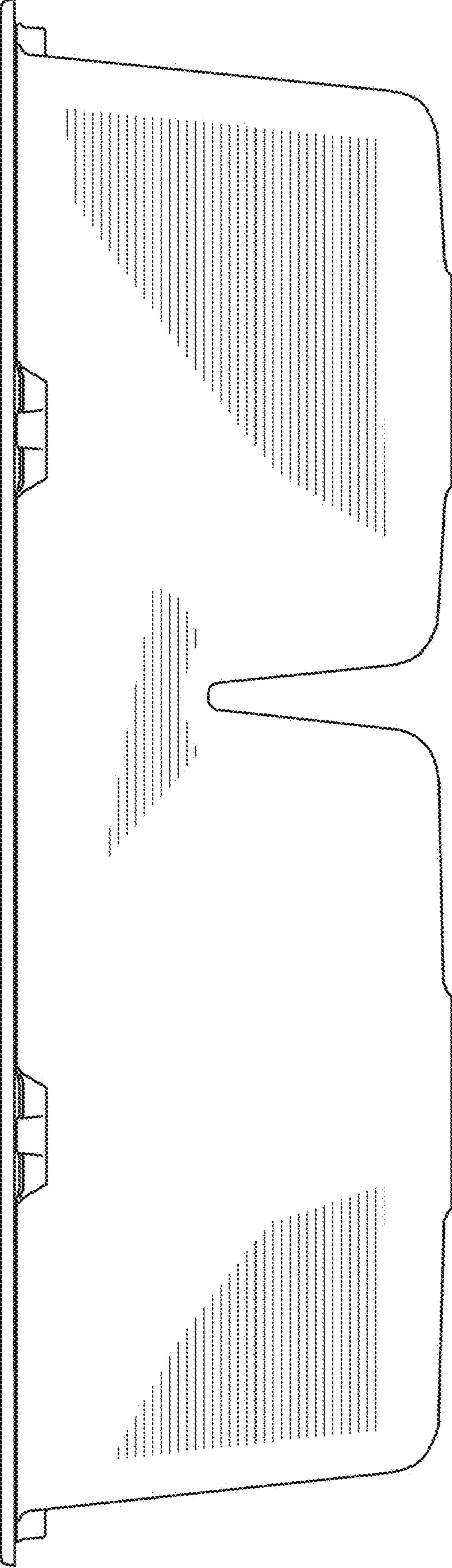


FIG. 5

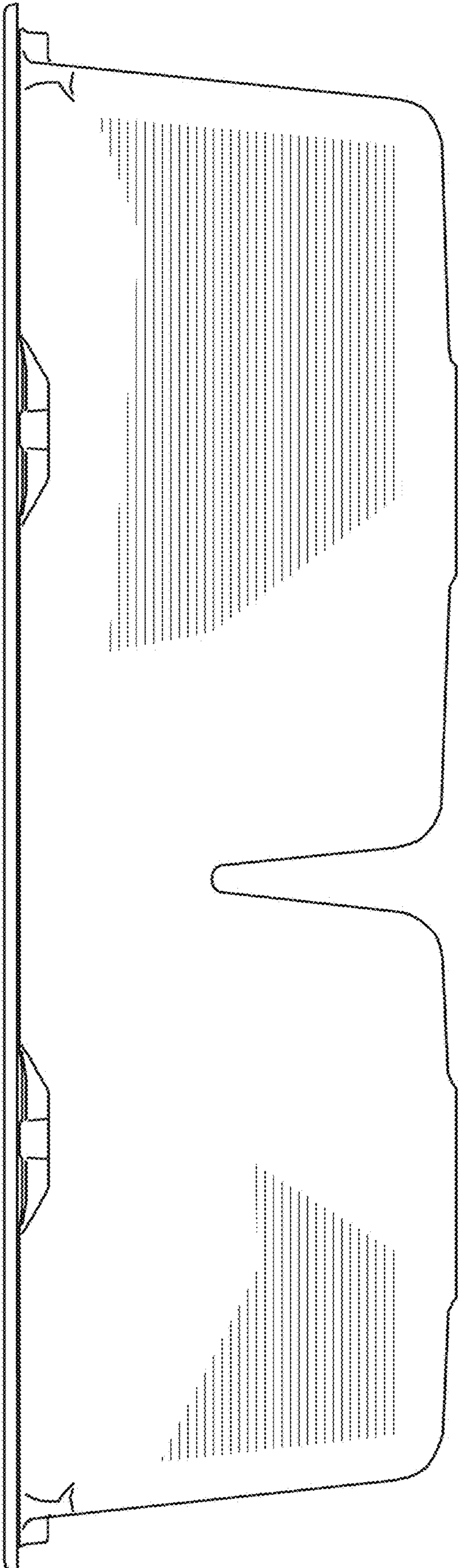


FIG. 6

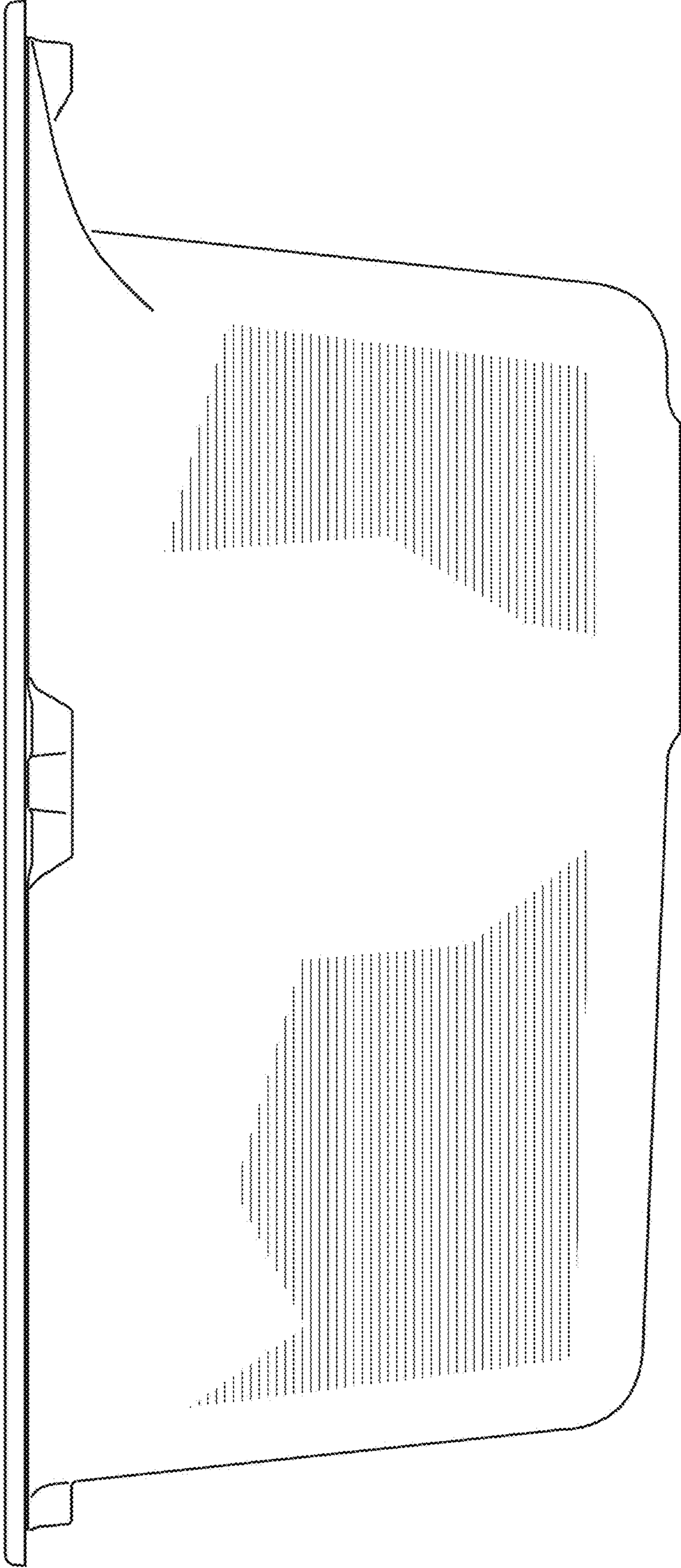


FIG. 7

