



US00D877866S

(12) **United States Design Patent**
Miller

(10) **Patent No.:** **US D877,866 S**
(45) **Date of Patent:** **** Mar. 10, 2020**

- (54) **SINK WITH A STORAGE SHELF**
- (71) Applicant: **Top Shelf Manufacturing, Inc.**,
Warren, OH (US)
- (72) Inventor: **Samuel M. Miller**, Warren, OH (US)
- (73) Assignee: **Top Shelf Manufacturing, Inc.**,
Warren, OH (US)
- (**) Term: **15 Years**
- (21) Appl. No.: **29/664,733**
- (22) Filed: **Sep. 27, 2018**
- (51) **LOC (12) Cl.** **23-02**
- (52) **U.S. Cl.**
USPC **D23/284**
- (58) **Field of Classification Search**
USPC D23/284, 293.1, 308
See application file for complete search history.

- D670,367 S 11/2012 Miller et al.
- D675,300 S 1/2013 Miller et al.
- D685,458 S * 7/2013 Eckhaus D23/308
- 9,173,487 B2 11/2015 Booth et al.
- D845,451 S * 4/2019 Swilley D23/308

* cited by examiner

Primary Examiner — Robert A Delehanty
(74) *Attorney, Agent, or Firm* — Fox Rothschild LLP

(57) **CLAIM**

The ornamental design for a sink, as shown and described.

DESCRIPTION

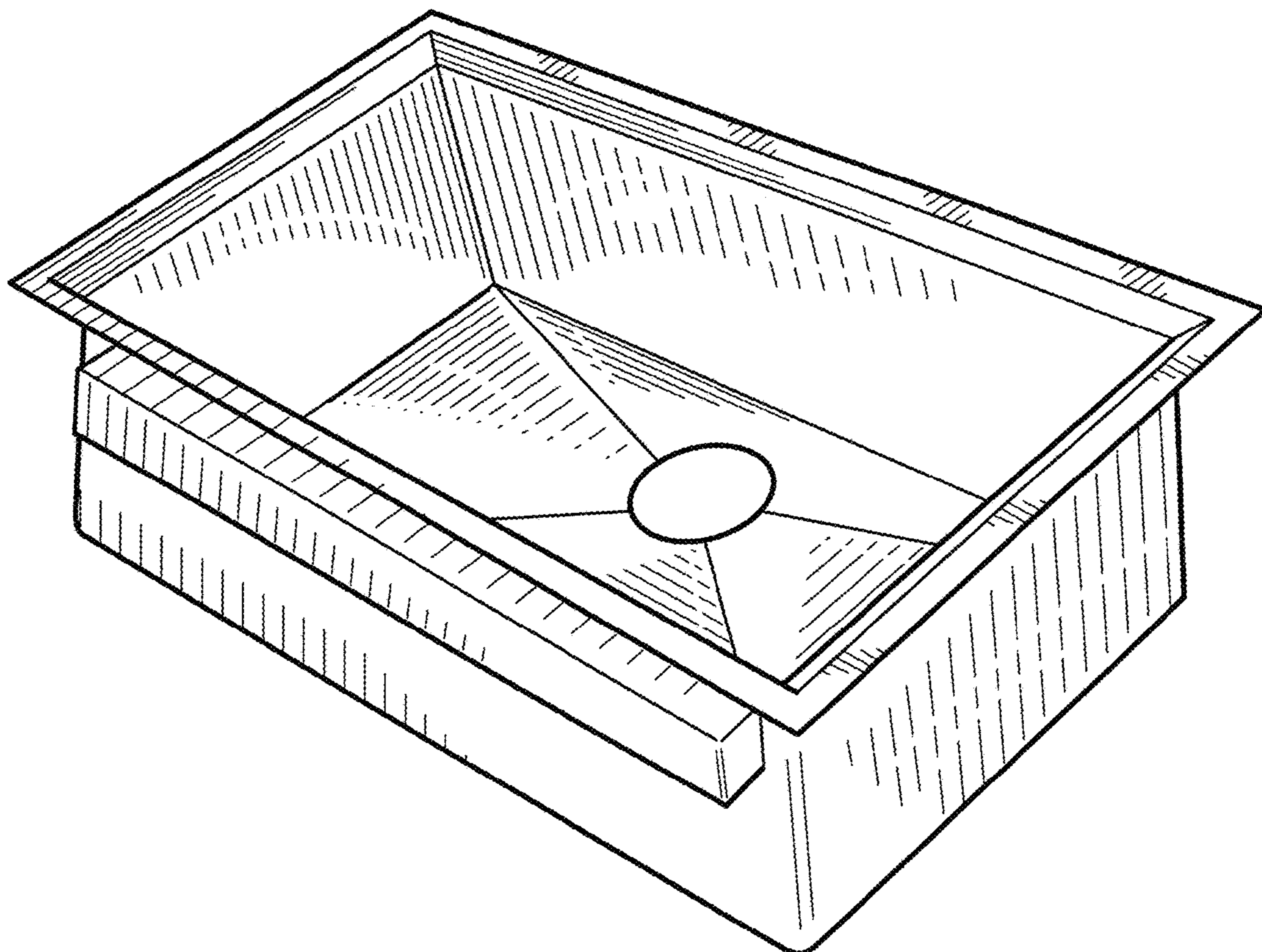
FIG. 1 is a front perspective view of a sink with a storage shelf;
FIG. 2 is a rear perspective view of the sink in FIG. 1;
FIG. 3 is a front elevation view of the sink in FIG. 1;
FIG. 4 is a top elevation view of the sink in FIG. 1;
FIG. 5 is a rear elevation view of the sink in FIG. 1;
FIG. 6 is a right side elevation view of the sink in FIG. 1;
FIG. 7 is bottom elevation view of the sink in FIG. 1; and,
FIG. 8 is a left side elevation view of the sink in FIG. 1.
All broken lines (where present) in all figures illustrate portions of the sink with a storage shelf that form no part of the claimed design.

(56) **References Cited**

U.S. PATENT DOCUMENTS

- D492,983 S * 7/2004 Rachiele D23/293.1
- D632,373 S * 2/2011 Kehrer D23/293.1
- D663,389 S 7/2012 Miller et al.

1 Claim, 4 Drawing Sheets



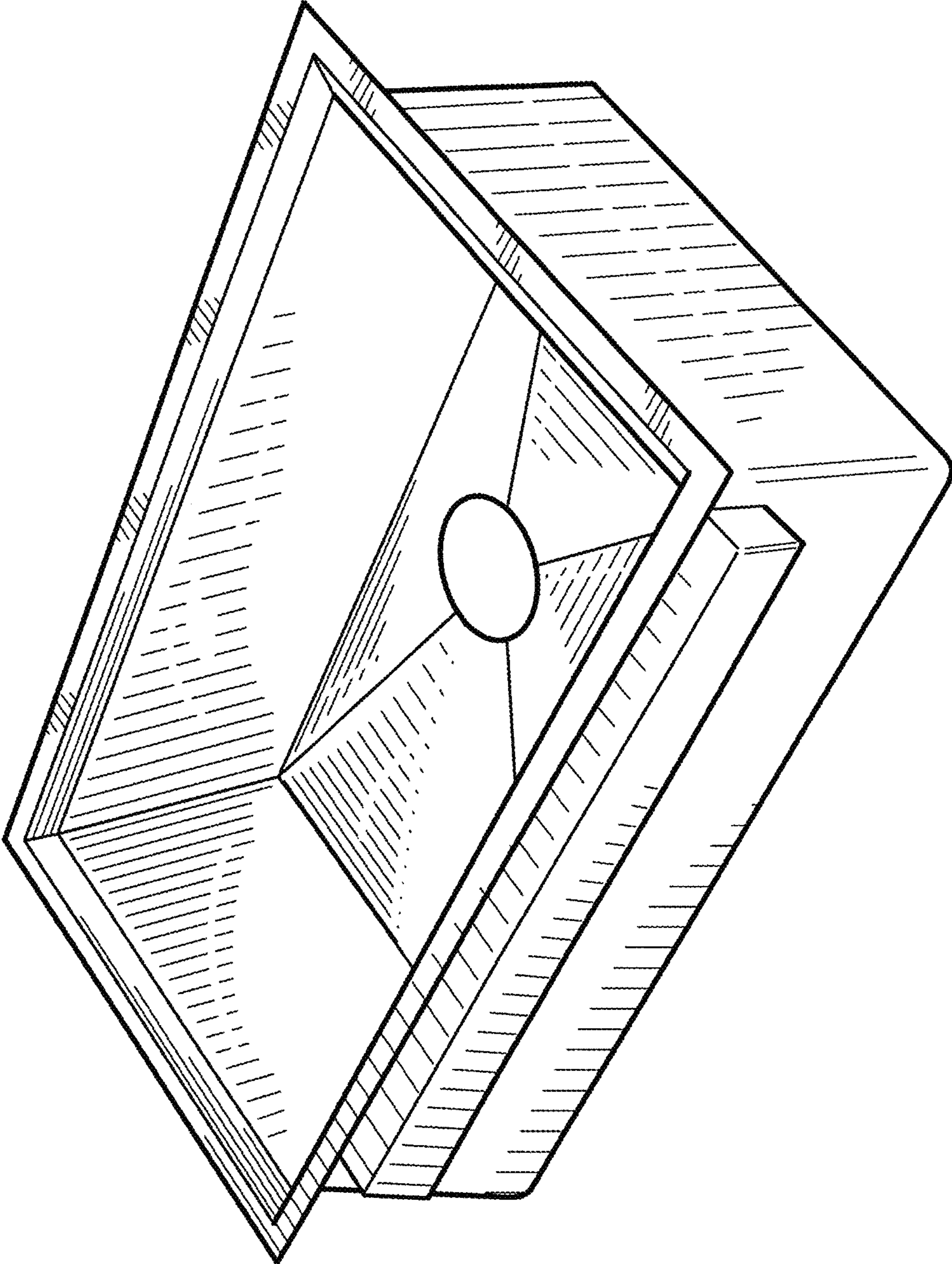


FIG. 1

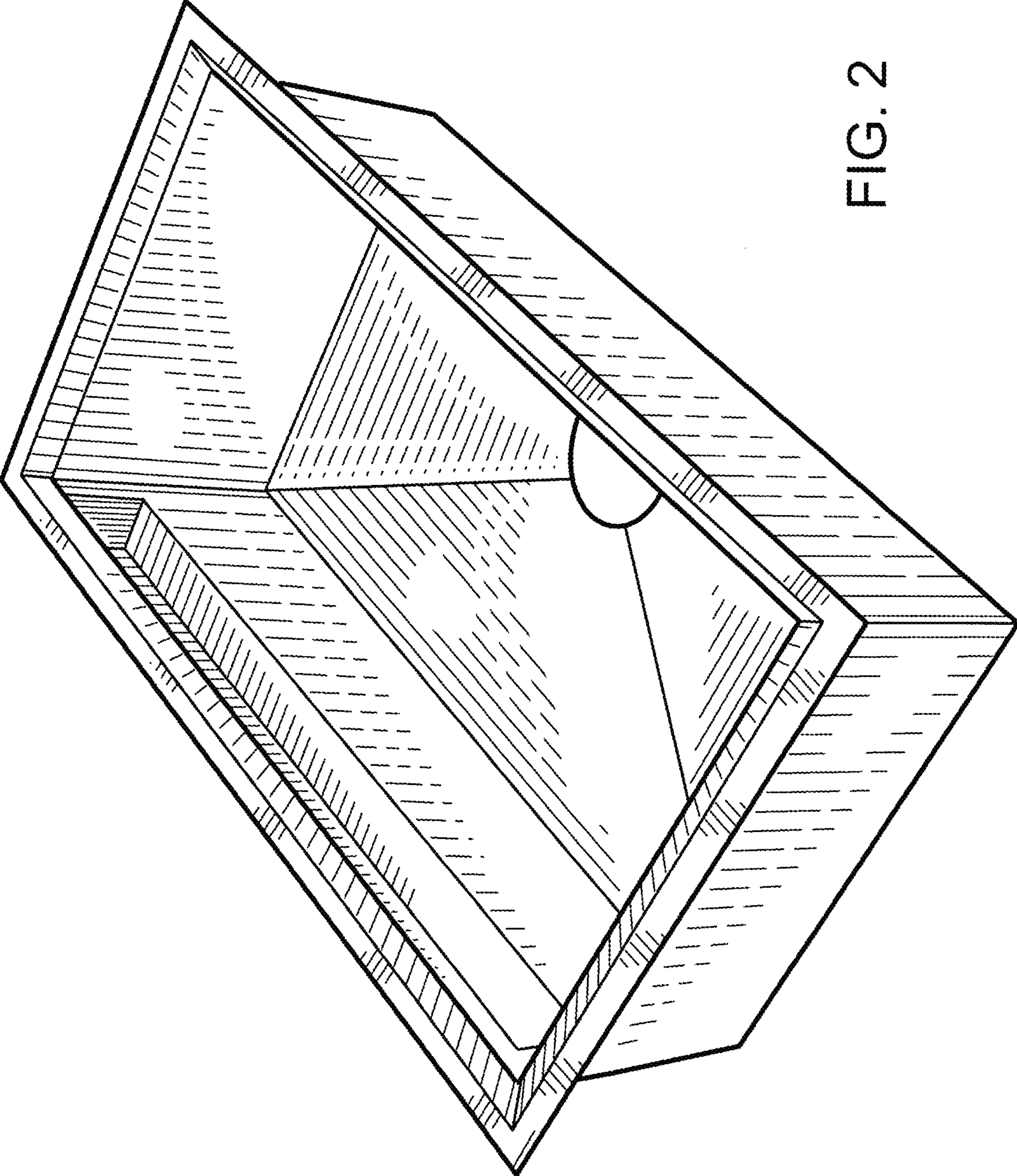


FIG. 2

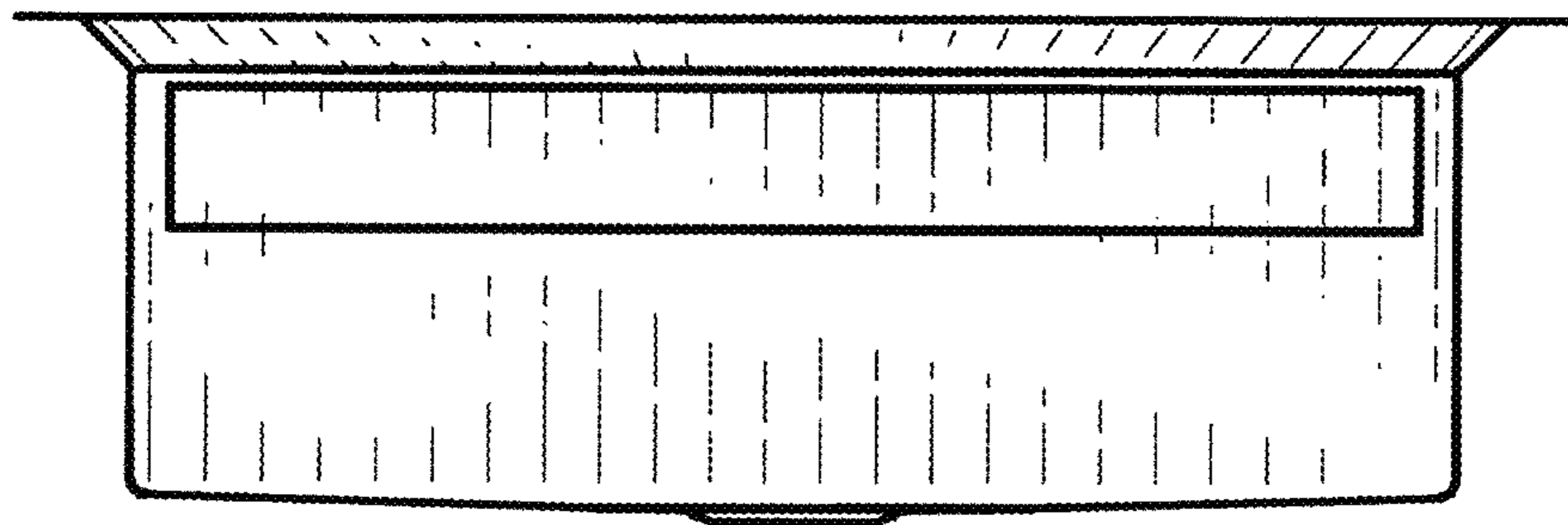


FIG. 3

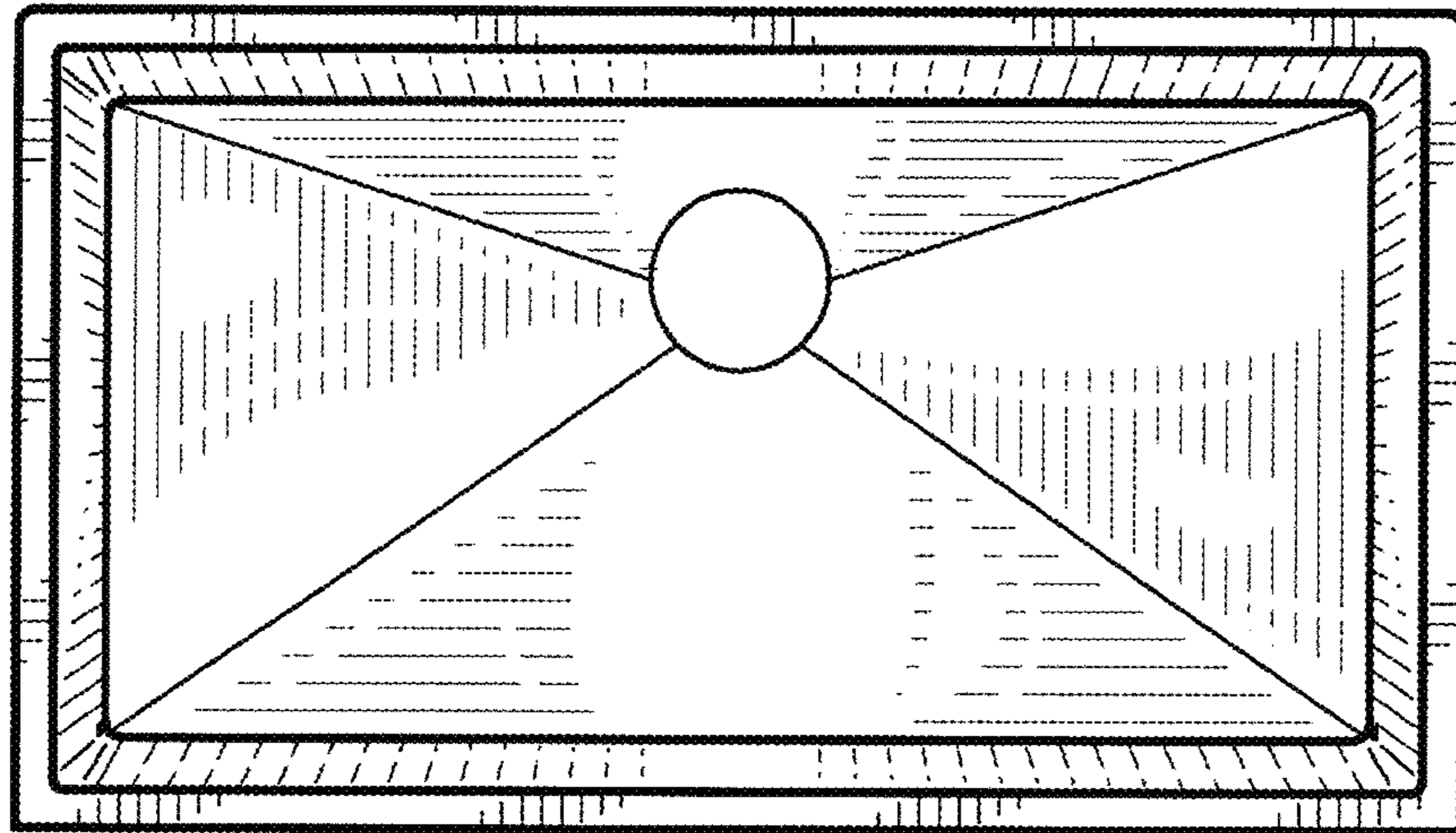


FIG. 4

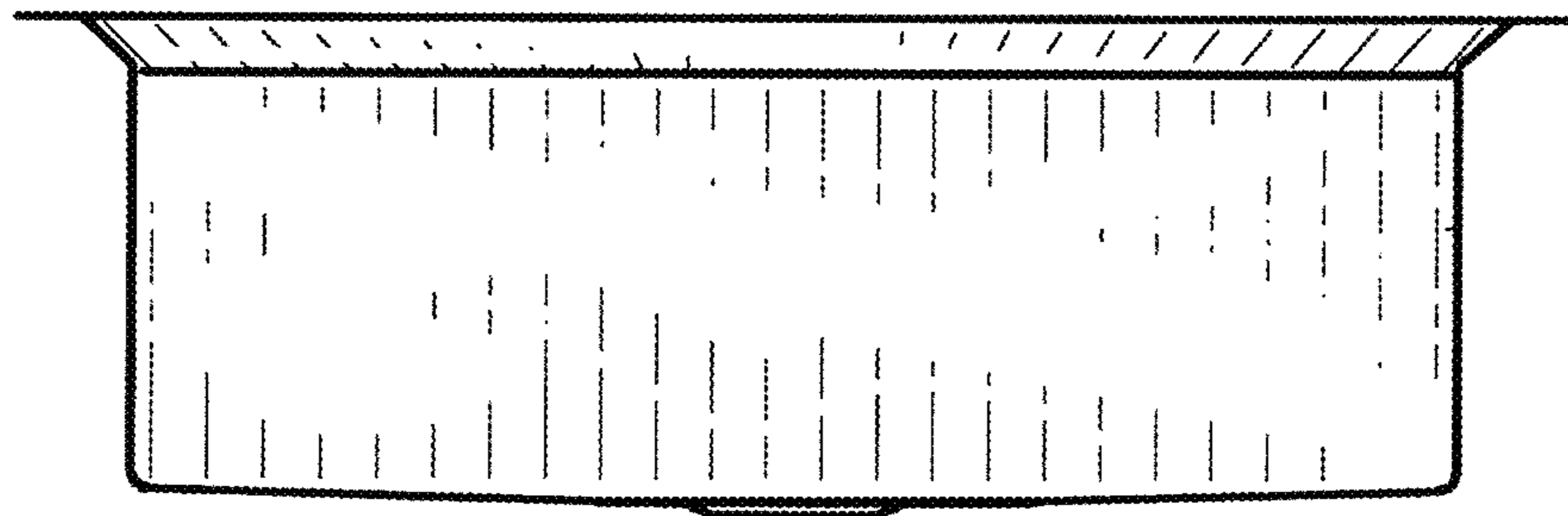


FIG. 5

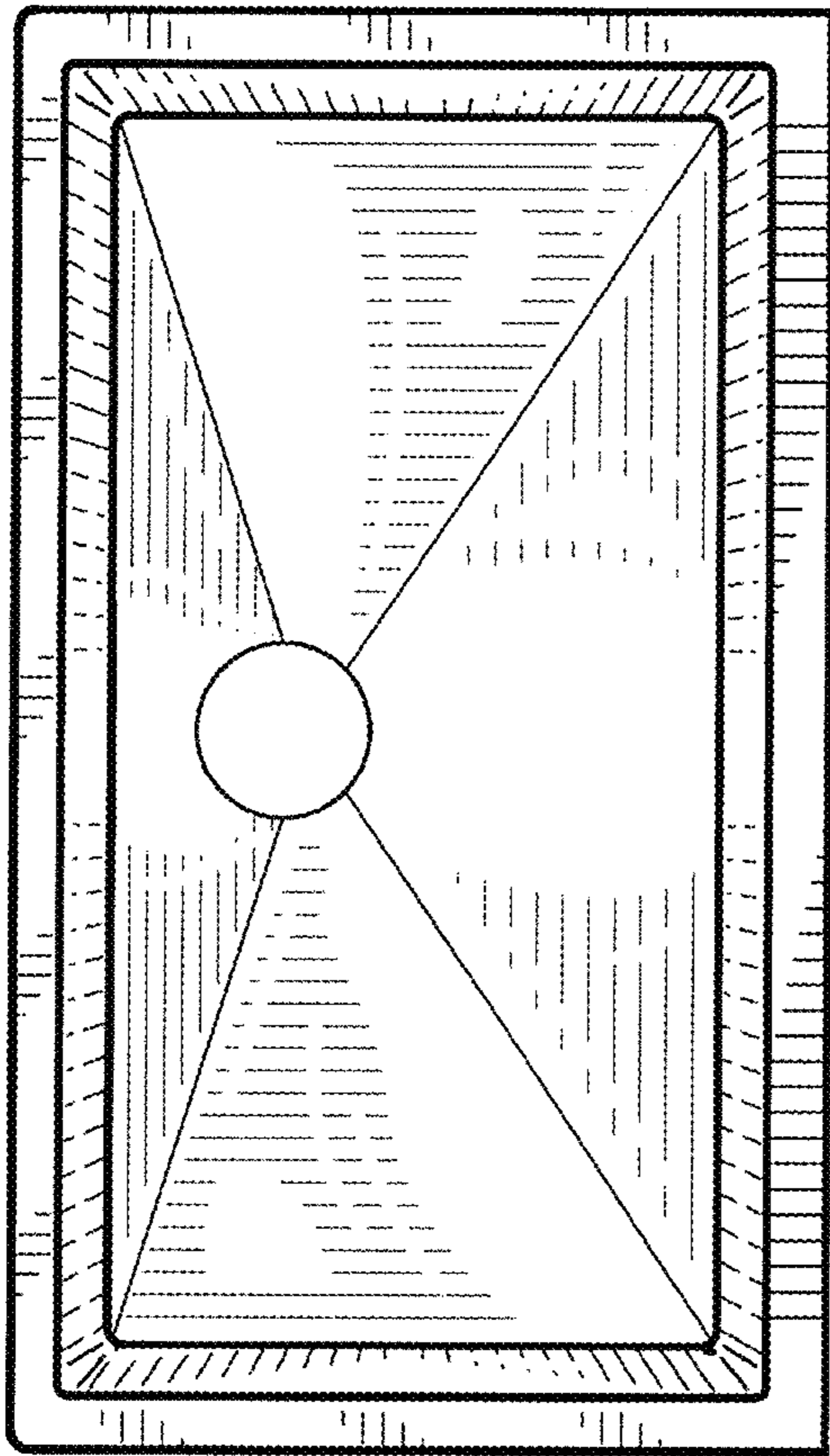


FIG. 7

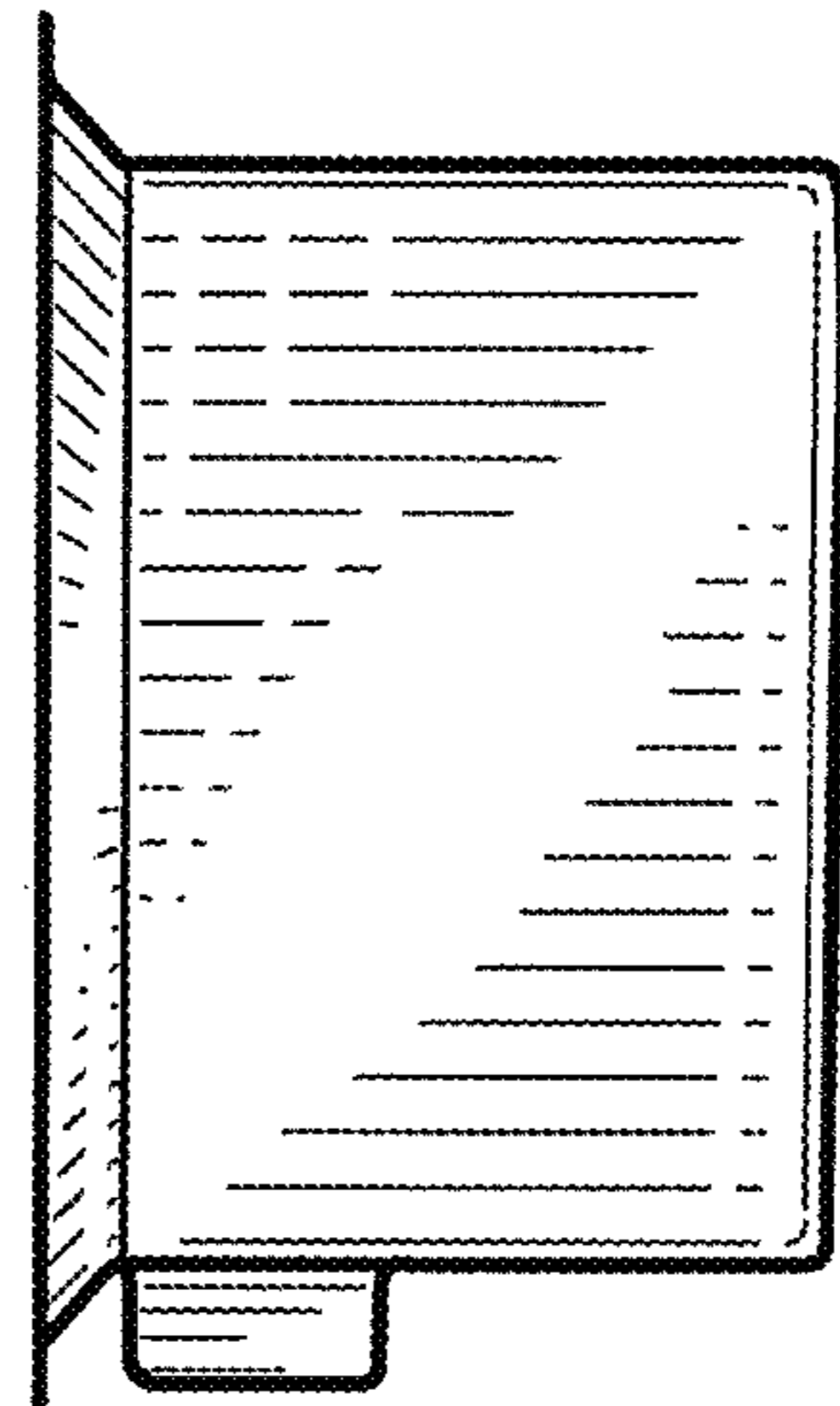


FIG. 6

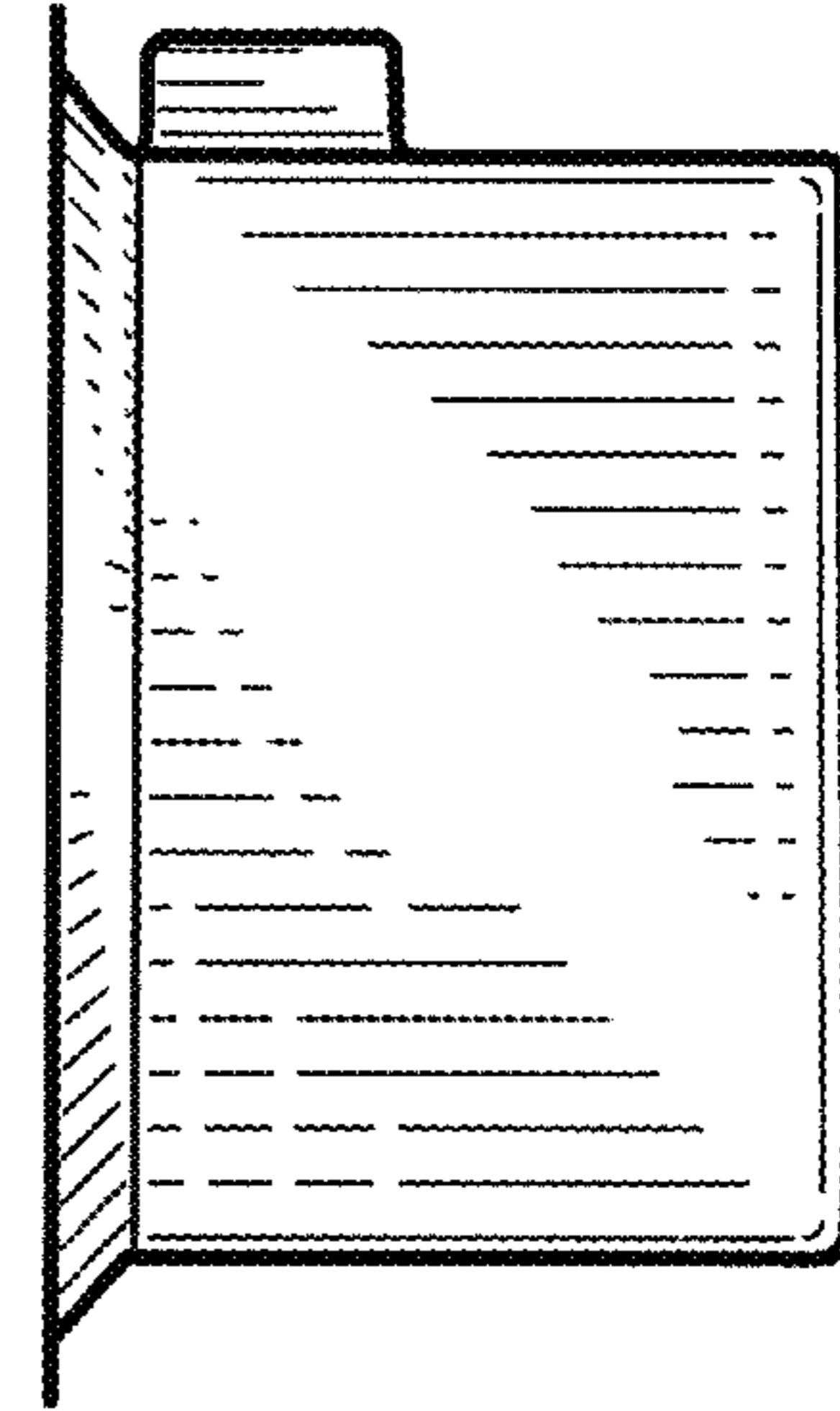


FIG. 8