



US00D877865S

(12) **United States Design Patent**
Nakagawa

(10) **Patent No.:** **US D877,865 S**

(45) **Date of Patent:** **** Mar. 10, 2020**

(54) **SEAL**
(71) Applicant: **NIPPON VALQUA INDUSTRIES, LTD.**, Tokyo (JP)
(72) Inventor: **Ippei Nakagawa**, Gojo (JP)
(73) Assignee: **VALQUA, LTD.**, Tokyo (JP)
(**) Term: **15 Years**

D435,090 S * 12/2000 Stout, Jr. D23/269
D465,061 S * 10/2002 Guthrie D23/269
D483,094 S * 12/2003 Wilk, Jr. D23/262
D483,441 S * 12/2003 Dole D23/262
D535,289 S * 1/2007 Okamoto D14/216
D555,825 S * 11/2007 Lecluze D26/138
D657,848 S * 4/2012 Howson D23/261
D678,481 S * 3/2013 Branco D23/260
D681,176 S * 4/2013 Chacko D23/269

(Continued)

(21) Appl. No.: **29/605,486**
(22) Filed: **May 26, 2017**

FOREIGN PATENT DOCUMENTS

JP 750123 11/1988
JP S-1507730 9/2014

(Continued)

(30) **Foreign Application Priority Data**

Nov. 29, 2016 (JP) 2016-025877

(51) **LOC (12) Cl.** **23-01**
(52) **U.S. Cl.**
USPC **D23/269**

(58) **Field of Classification Search**
USPC D23/259, 260, 261, 262, 263, 266, 269,
D23/293.1, 411; D24/109, 122, 129, 141;
D13/154; D26/74, 86-88, 115, 118, 138;
D8/310, 330, 350, 352; D6/309, 524;
285/58-60, 113, 133.11, 133.21, 189;
138/177
CPC ... B29C 66/71; E21B 33/1208; A61B 17/068;
A61B 17/072; A61B 17/07292
See application file for complete search history.

OTHER PUBLICATIONS

Notice of Allowance in related Taiwanese Design Application No. 106302850 dated Oct. 27, 2017.

(Continued)

Primary Examiner — Nathan M Johnston
(74) *Attorney, Agent, or Firm* — Dickinson Wright PLLC

(57) **CLAIM**

The ornamental design for a seal, as shown and described.

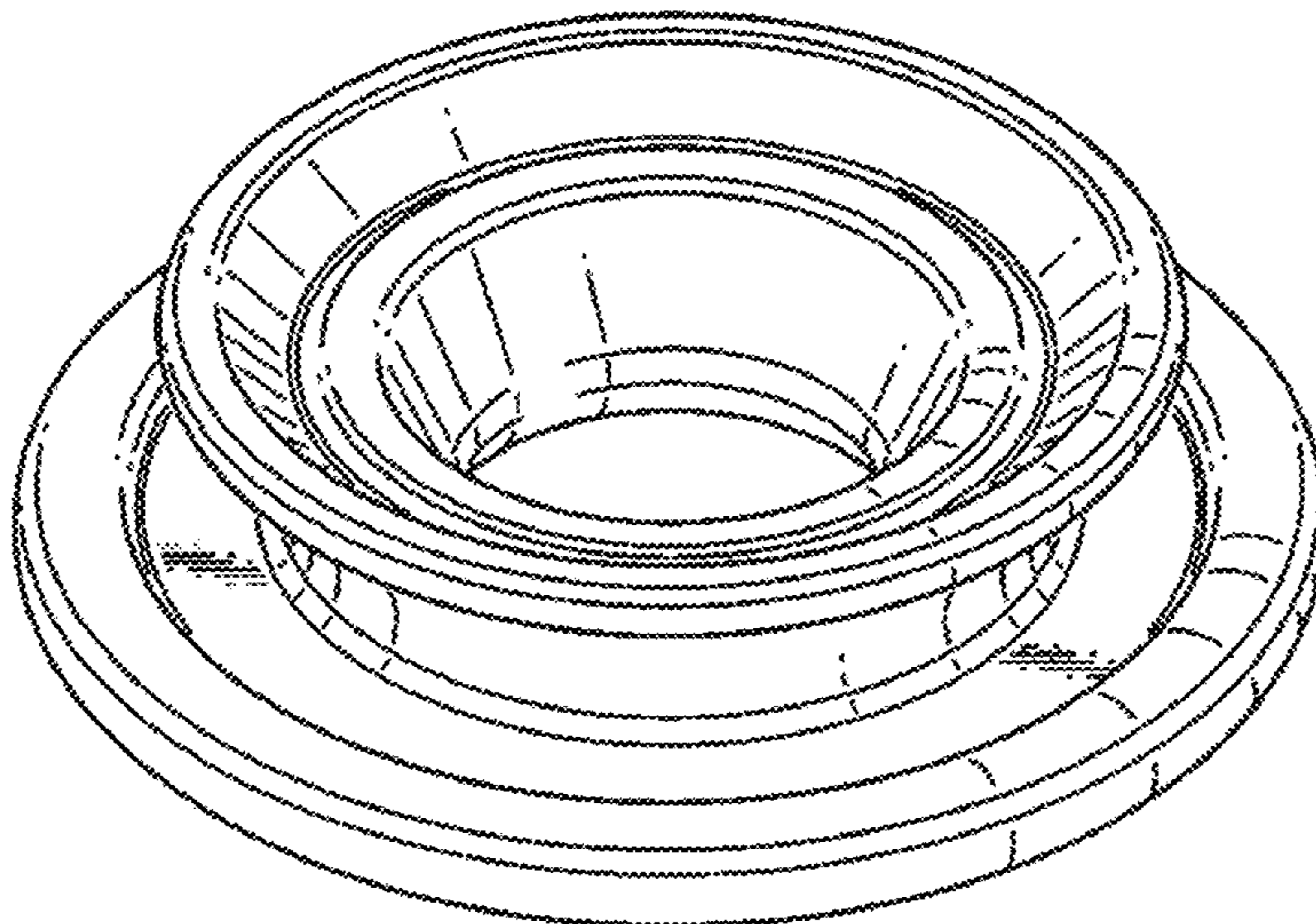
DESCRIPTION

FIG. 1 is a front view of a seal showing my new design;
FIG. 2 is a rear view thereof;
FIG. 3 is a top view thereof;
FIG. 4 is a bottom view thereof;
FIG. 5 is a right view thereof;
FIG. 6 is a left view thereof;
FIG. 7 is a perspective view thereof; and,
FIG. 8 is a cross-sectional view of the portion VIII-VIII of FIG. 3 thereof.

(56) **References Cited**
U.S. PATENT DOCUMENTS

D325,999 S * 5/1992 Sonneman D26/152
D366,661 S * 1/1996 Kanemitsu D15/5
D372,032 S * 7/1996 Kanemitsu D15/5
D386,277 S * 11/1997 Lecluze D26/118
D393,641 S * 4/1998 Hai-Fu D14/216
D407,524 S * 3/1999 Lecluze D26/118
5,922,093 A * 7/1999 James A47L 9/181
55/322

1 Claim, 3 Drawing Sheets



(56)

References Cited

U.S. PATENT DOCUMENTS

D682,994 S * 5/2013 Schulz D23/259
D704,313 S * 5/2014 van de Klippe D23/269
D726,950 S * 4/2015 Serwacki D26/74
D728,758 S * 5/2015 Coronado D23/269
D733,263 S * 6/2015 Fujii D23/262
D774,630 S * 12/2016 Mehari D23/269
D802,104 S * 11/2017 Nagahamaya D23/269
D841,784 S * 2/2019 Sharratt D23/269
2009/0191054 A1* 7/2009 Winkler F04D 29/526
415/215.1
2009/0229478 A1* 9/2009 Wu A23N 1/02
99/495

FOREIGN PATENT DOCUMENTS

TW D127505 S 2/2009
TW D149670 S 10/2012
TW D163769 S 10/2014
TW D164826 S 12/2014
TW D164827 S 12/2014
TW D166713 S 3/2015
TW D180129 S 12/2016
TW D183422 S 6/2017

OTHER PUBLICATIONS

Japanese Office Action dated Jun. 5, 2017 which issued in Corresponding Patent Application No. 2016-025877, including English Translation.

* cited by examiner

FIG.1

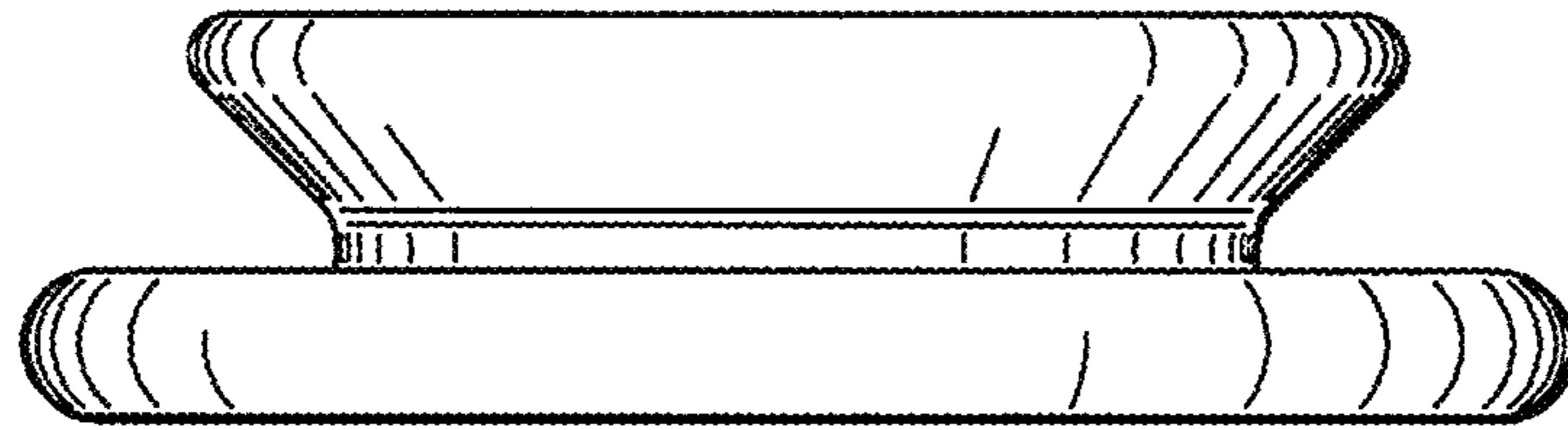


FIG.2

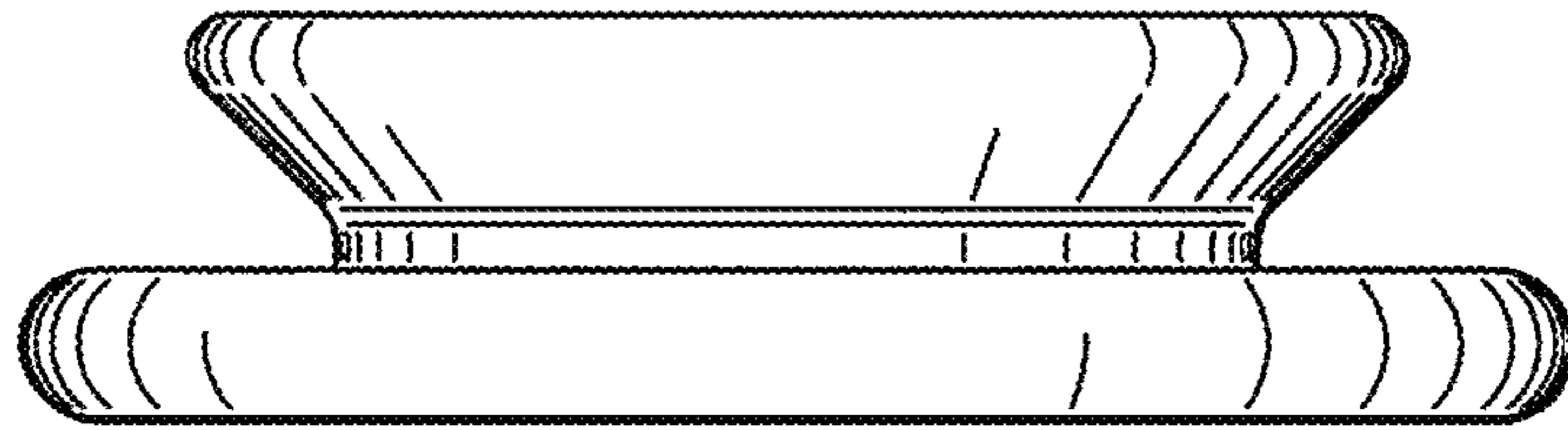


FIG.3

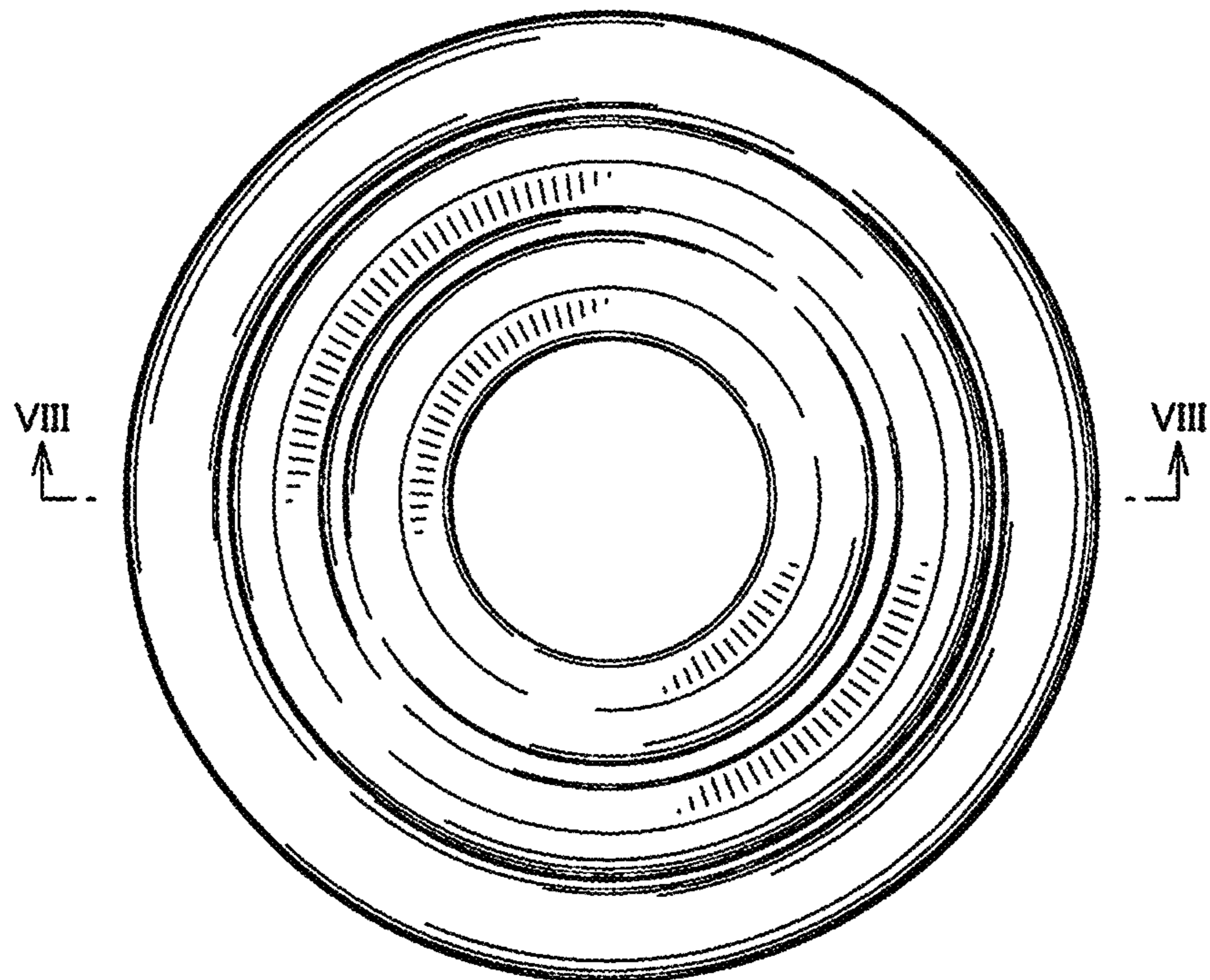


FIG.4

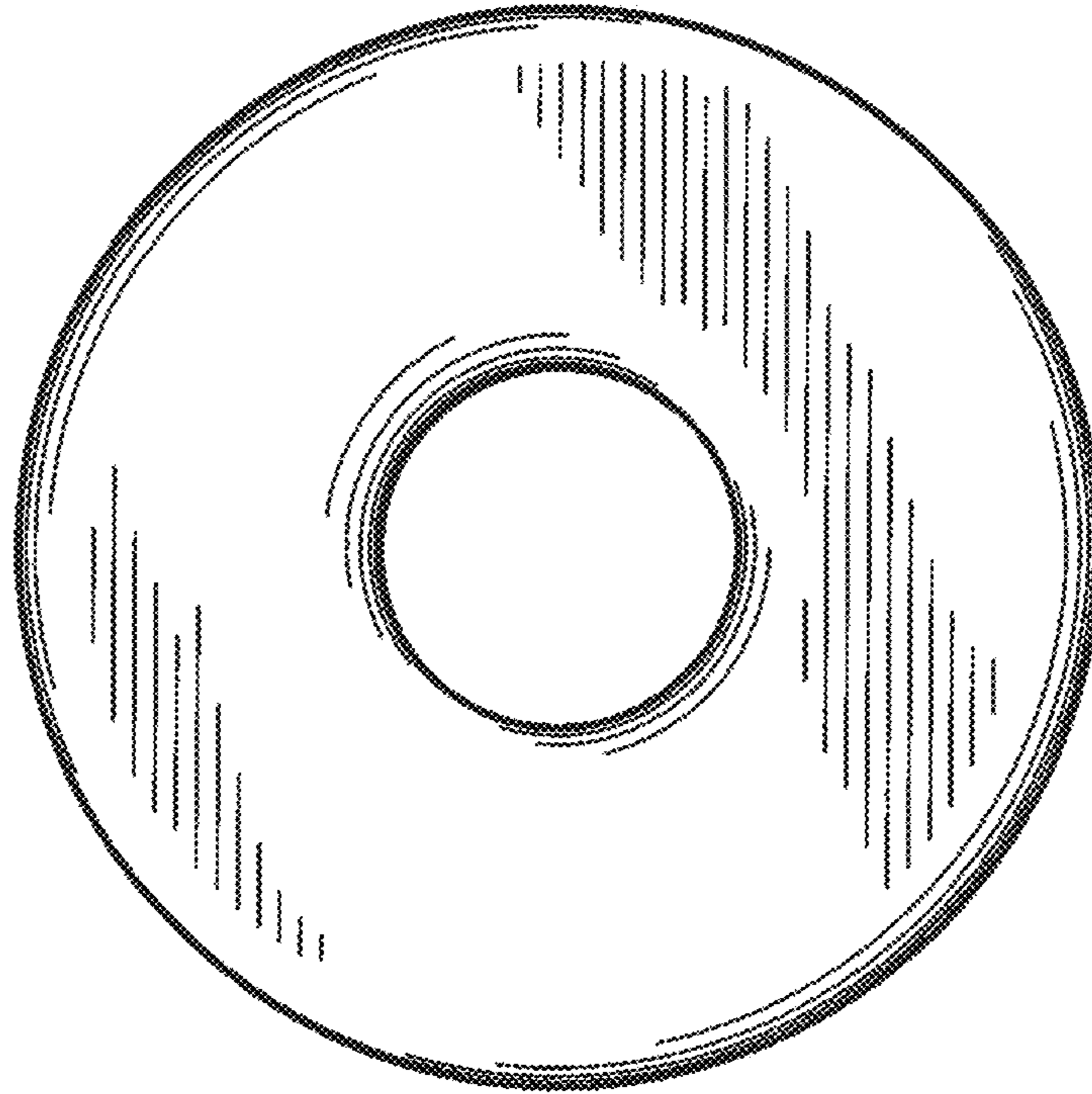


FIG.5

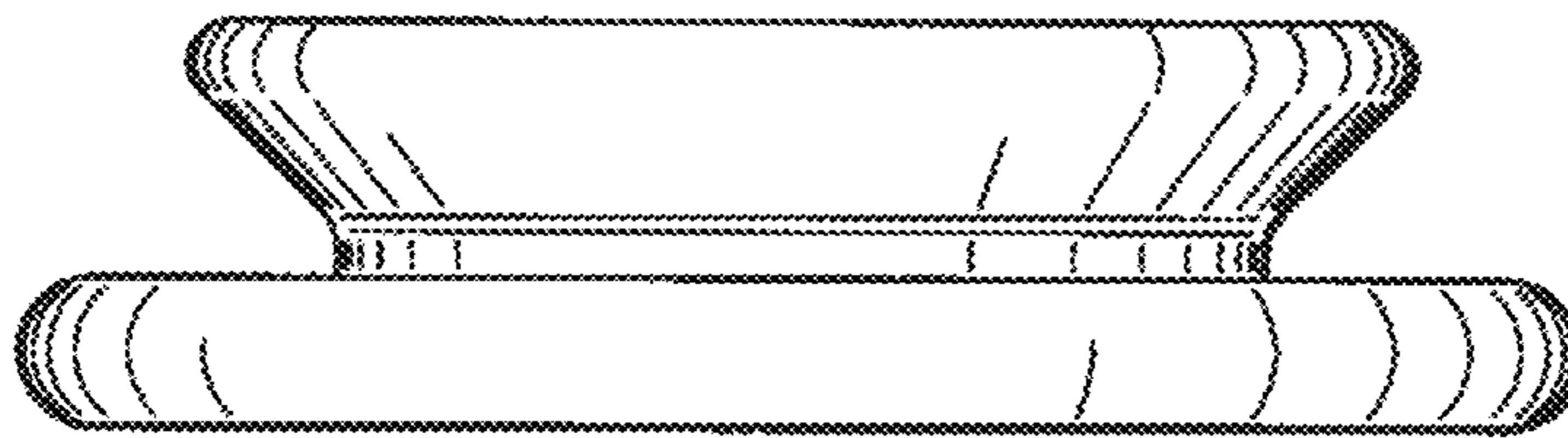


FIG.6

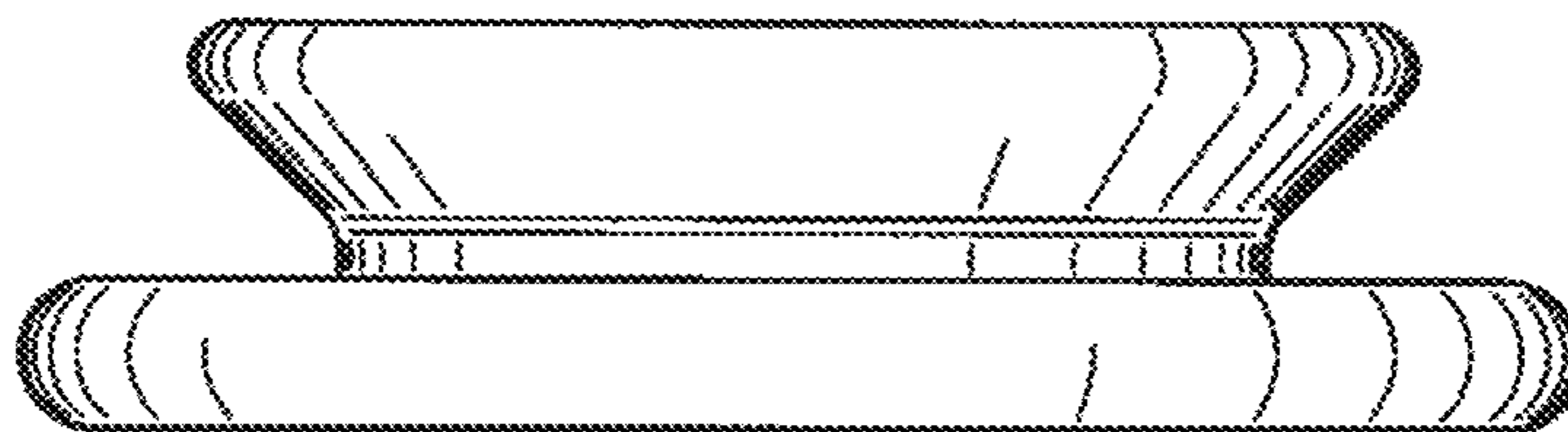


FIG.7

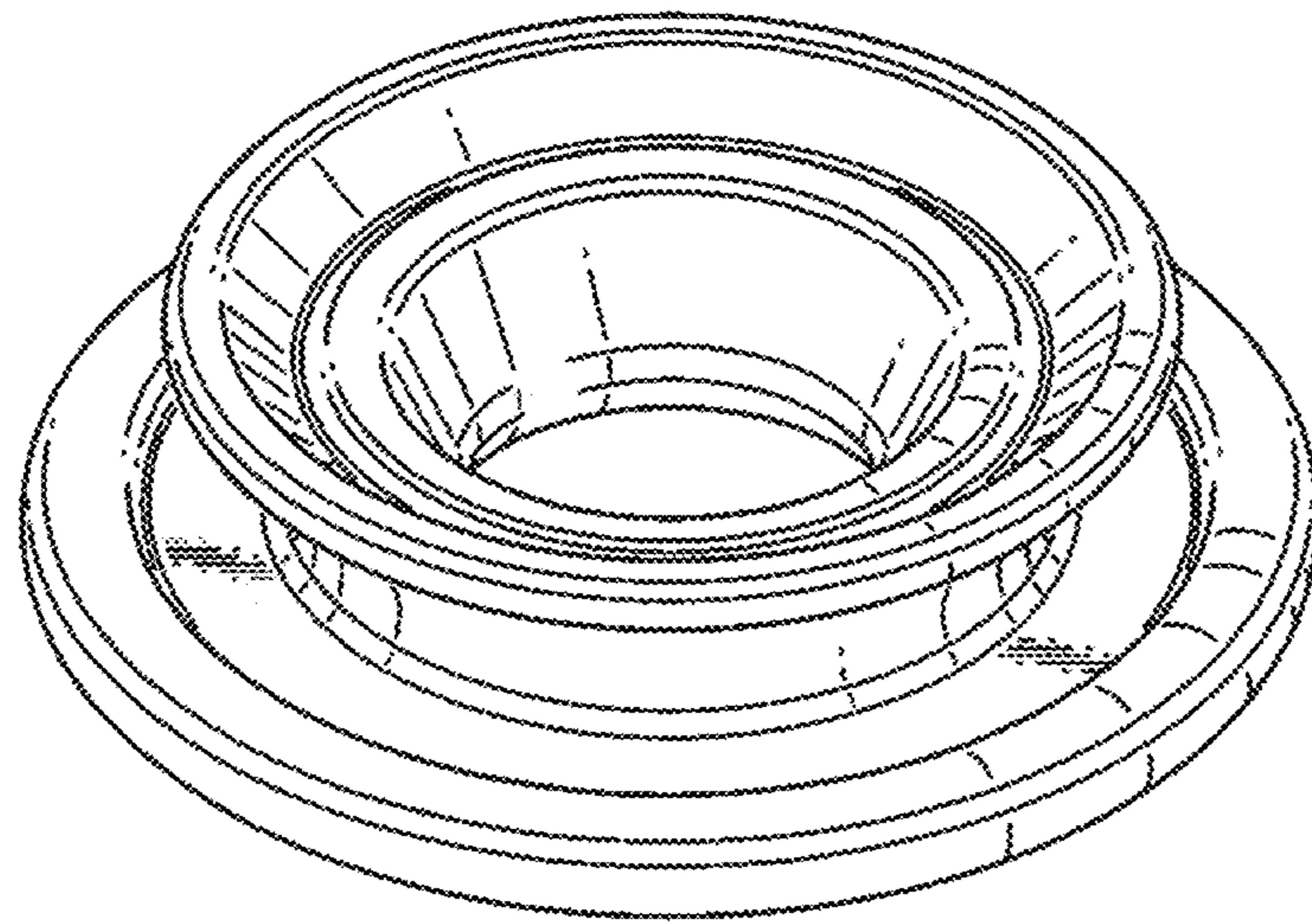


FIG.8

