



US00D877864S

(12) **United States Design Patent**
Kowalchuk

(10) **Patent No.:** **US D877,864 S**

(45) **Date of Patent:** **** Mar. 10, 2020**

(54) **CLEAN OUT DRAIN**

(71) Applicant: **John Kowalchuk**, Surrey (CA)

(72) Inventor: **John Kowalchuk**, Surrey (CA)

(**) Term: **15 Years**

(21) Appl. No.: **29/646,602**

(22) Filed: **May 4, 2018**

(30) **Foreign Application Priority Data**

Nov. 9, 2017 (CA) 178141

(51) **LOC (12) Cl.** **23-01**

(52) **U.S. Cl.**
USPC **D23/261**; D23/268

(58) **Field of Classification Search**
USPC D23/259, 263, 260, 209, 261, 303-304,
D23/310, 388, 268; 4/178.22, 222.1,
4/255.01-255.12, 256.1, 286-295, 309,
4/490, 507, 596, 652, 164, 488, 504, 509,
4/695-696, 671-675, 679-682;
220/203.1, 241, 780, 787, 789;
137/247.35; 210/164, 166, 167.1,
210/167.15-167.16

CPC A47K 3/40
See application file for complete search history.

(56) **References Cited**

U.S. PATENT DOCUMENTS

- D53,747 S * 8/1919 Odenkirk D23/268
- 1,522,053 A * 1/1925 Griesemer E02B 13/02
137/613
- 1,679,190 A * 7/1928 Westbrook E03C 1/29
137/247.25
- 1,790,587 A * 1/1931 Luff E03C 1/29
137/247.41
- 1,808,471 A * 6/1931 McCarthy E03C 1/282
137/216.1
- 1,958,712 A * 5/1934 Nance E03C 1/29
137/247.35
- D338,707 S * 8/1993 Stepp D23/245

- 6,209,584 B1 * 4/2001 Huber E03B 7/003
138/89
- 6,341,618 B1 * 1/2002 Ricci E03C 1/288
137/247.23
- 6,510,863 B1 * 1/2003 Traylor E03C 1/12
137/216
- 6,971,400 B1 * 12/2005 Bowman E03C 1/12
137/216
- D529,144 S * 9/2006 McAlpine D23/268
- 7,155,760 B2 * 1/2007 McAlpine E03C 1/29
137/247.35

(Continued)

OTHER PUBLICATIONS

“EZ1 Time Saving Drain” by Zurn. Accessed Jan. 21, 2019.
<<https://www.zurn.com/innovation-efficiency/ez1>>.

“CO2453—3" x 4" Adjustable Cleanout” by Zurn. Accessed Jan. 21,
2019. <https://www.zurn.com/media-library/web_documents/pdfs/specsheets/63787-pdf>.

“CO—3" x 4" Adjustable Cleanout” by Zurn. Accessed Jan. 21,
2019. <https://www.zurn.com/media-library/web_documents/pdfs/specsheets/co>.

(Continued)

Primary Examiner — Amy C Wierenga

(74) *Attorney, Agent, or Firm* — Oyen Wiggs Green &
Mutala LLP

(57) **CLAIM**

The ornamental design for a clean out drain, as shown and
described.

DESCRIPTION

FIG. 1 is a perspective view of a clean out drain showing the
design;

FIG. 2 is a front view thereof;

FIG. 3 is a rear view thereof;

FIG. 4 is a left side view thereof;

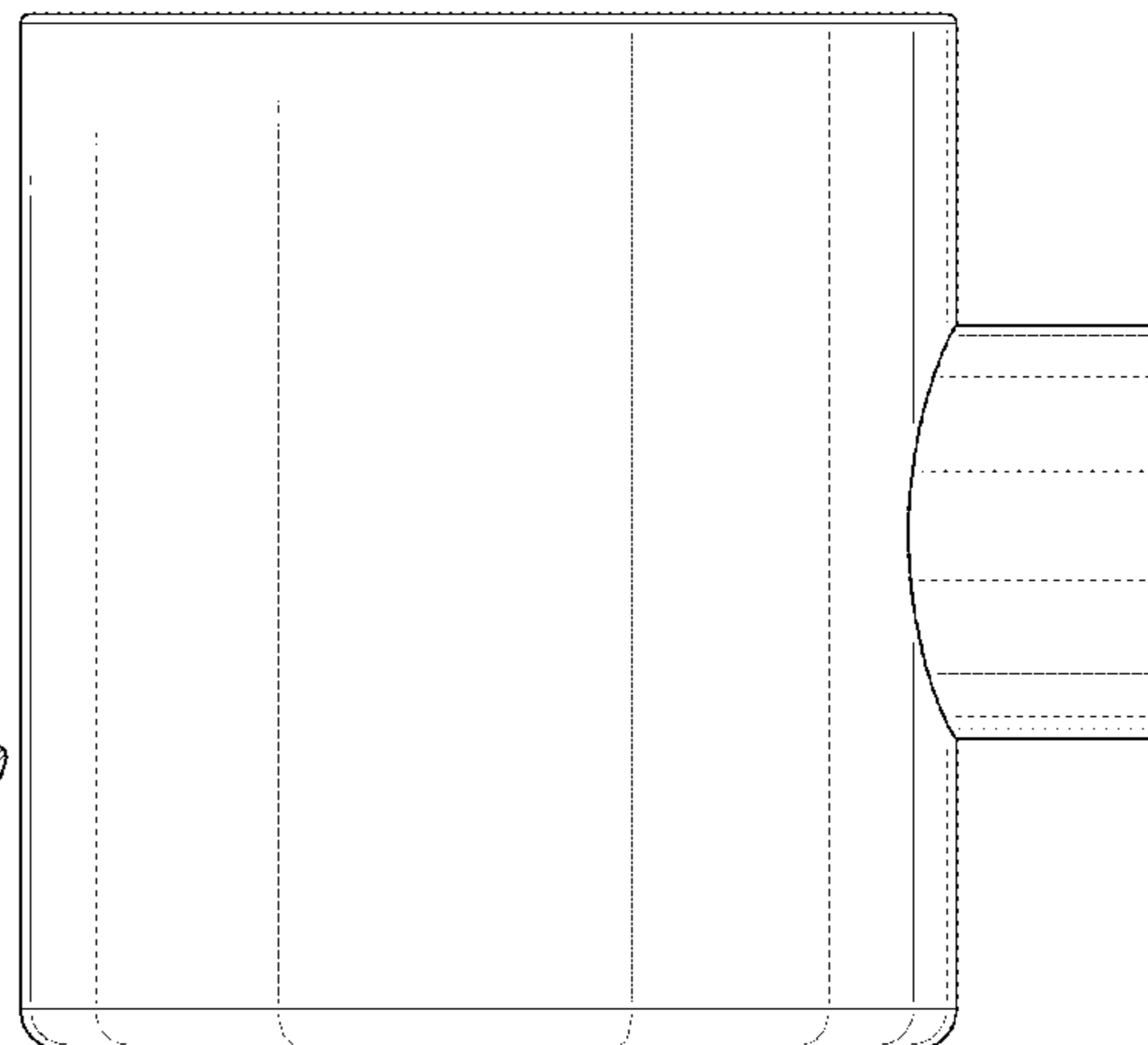
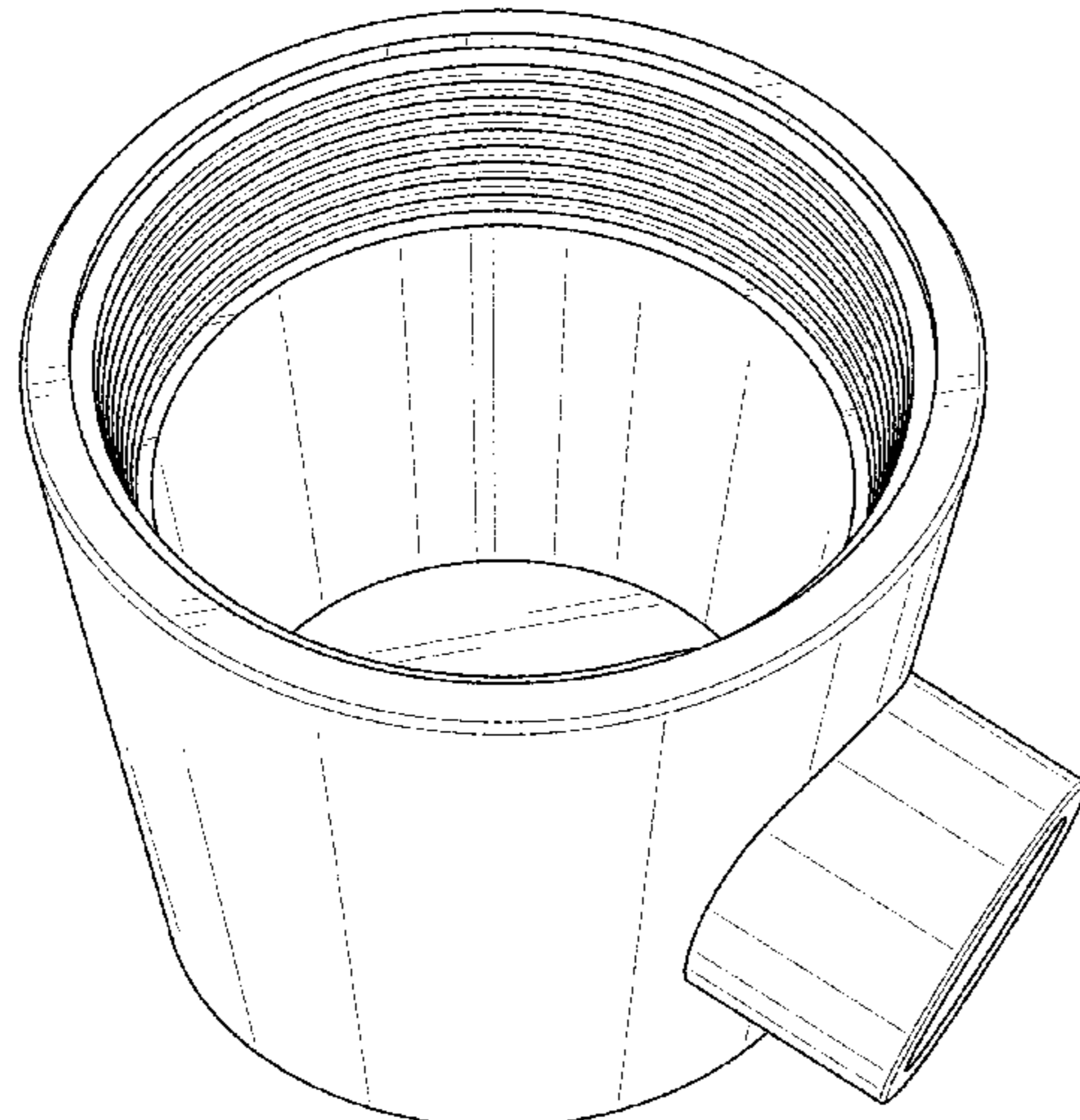
FIG. 5 is a right side view thereof;

FIG. 6 is a top view thereof; and,

FIG. 7 is a bottom view thereof.

The broken lines depict portions of the clean out drain that
form no part of the claim.

1 Claim, 7 Drawing Sheets



(56)

References Cited

U.S. PATENT DOCUMENTS

D580,530 S * 11/2008 McAlpine D23/268
 D668,324 S * 10/2012 Terry D23/268
 8,286,275 B2 * 10/2012 Kipp E03C 1/12
 137/245.5
 D743,004 S * 11/2015 Knight D23/259
 D745,115 S * 12/2015 Kuang D23/261
 D755,355 S * 5/2016 Knight D23/262
 9,428,893 B1 * 8/2016 Towers E03C 1/29
 D800,277 S * 10/2017 Makinen D23/261
 D809,110 S * 1/2018 Nahum D23/259
 D833,815 S * 11/2018 Prior D7/417
 2004/0034925 A1 * 2/2004 McAlpine E03C 1/29
 4/649
 2009/0084456 A1 * 4/2009 Mantyla E03B 7/003
 138/90
 2015/0211218 A1 * 7/2015 Buysse E03C 1/24
 4/694

OTHER PUBLICATIONS

“FD2200—Small Area Floor Drain” by Zurn. Accessed Jan. 21, 2019. <https://www.zurn.com/media-library/web_documents/pdfs/specsheets/fd2200-pdf>.
 “FD2208—Adjustable Floor Drain” by Zurn. Accessed Jan. 21, 2019. <https://www.zurn.com/media-library/web_documents/pdfs/specsheets/fd2208-pdf>.
 “FD—3"x 4" Adjustable Floor Drain” by Zurn. Accessed Jan. 21, 2019. <https://www.zurn.com/media-library/web_documents/pdfs/specsheets/fd>.
 “FD2209—Adjustable Finished Area Floor Drain” by Zurn. Accessed Jan. 21, 2019. <https://www.zurn.com/media-library/web_documents/pdfs/specsheets/fd2209-pdf>.
 “FD2210—Adjustable Floor Drain” by Zurn. Accessed Jan. 21, 2019. <https://www.zurn.com/media-library/web_documents/pdfs/specsheets/63746-pdf>.
 “Surface drain” by unknown author. Available at least as early as May 18, 2018.

* cited by examiner

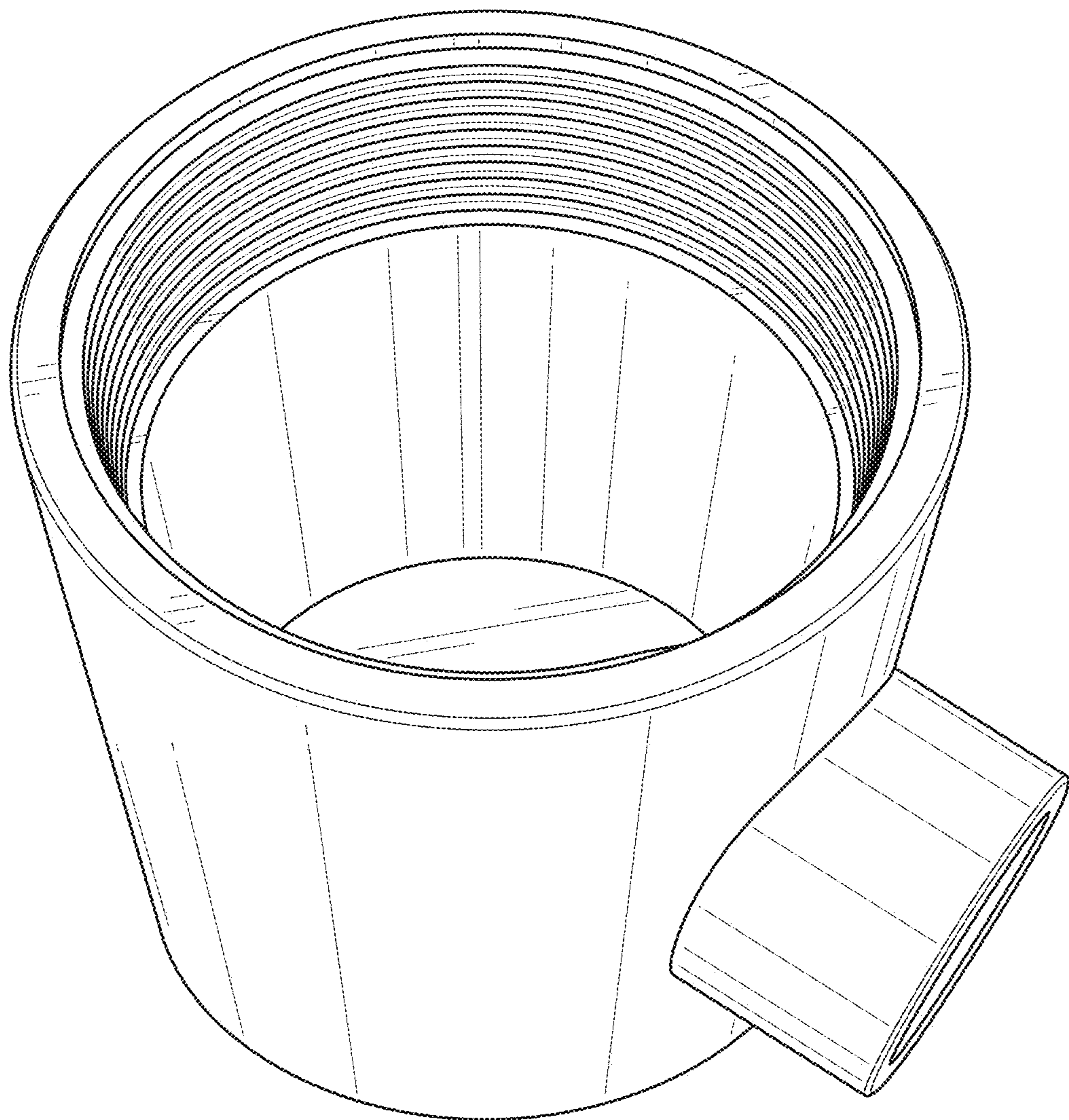


FIG. 1

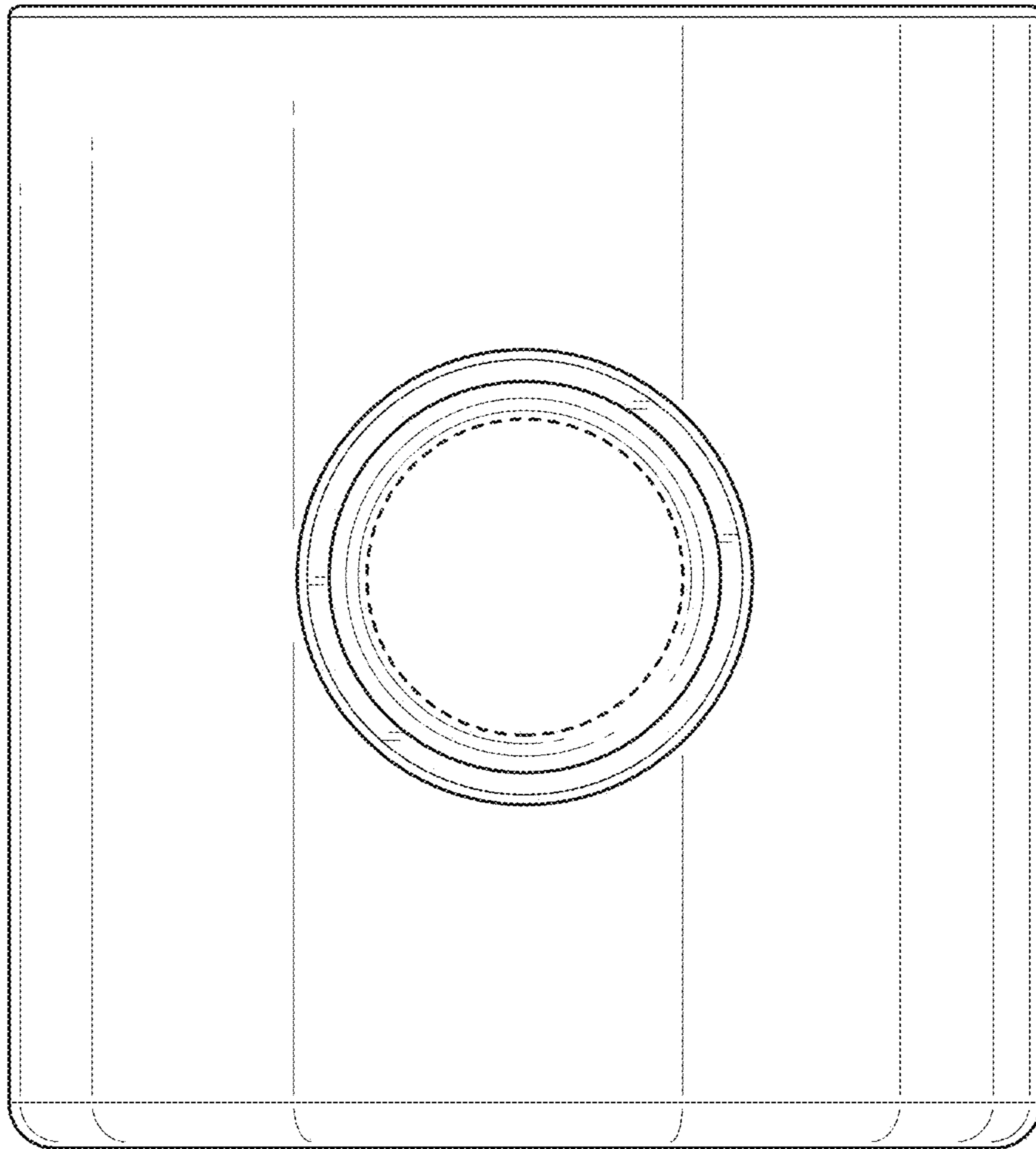


FIG. 2

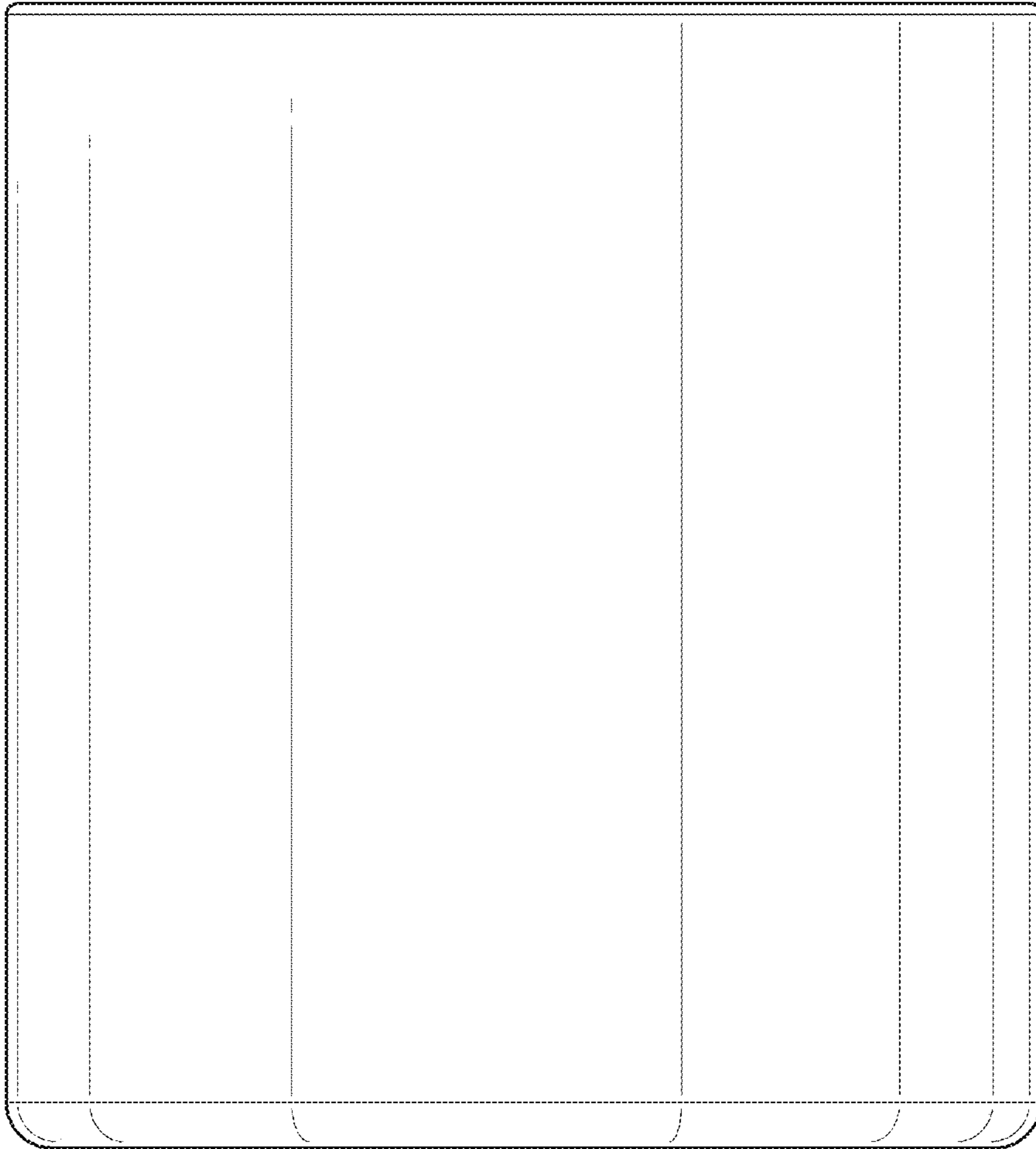


FIG. 3

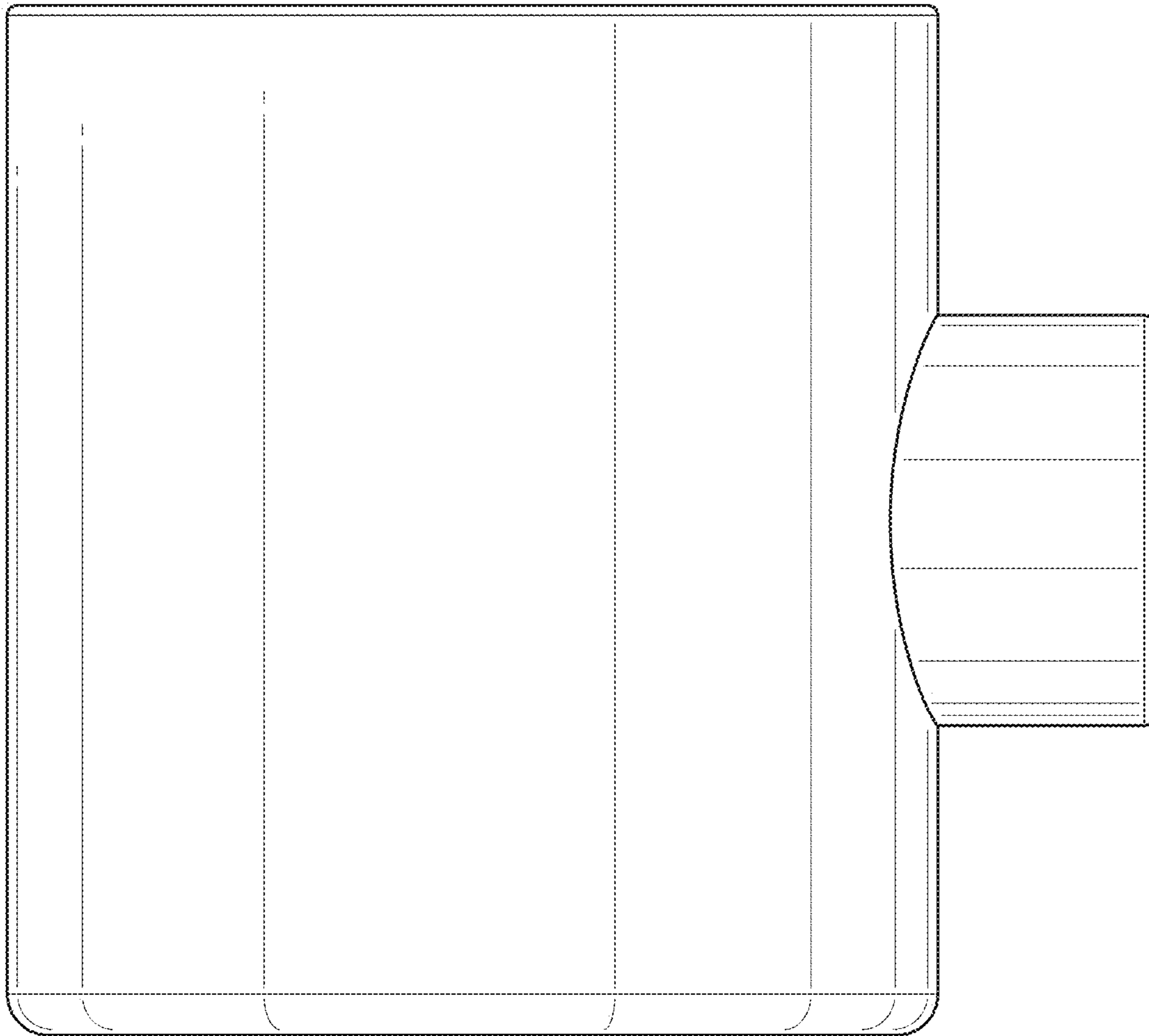


FIG. 4

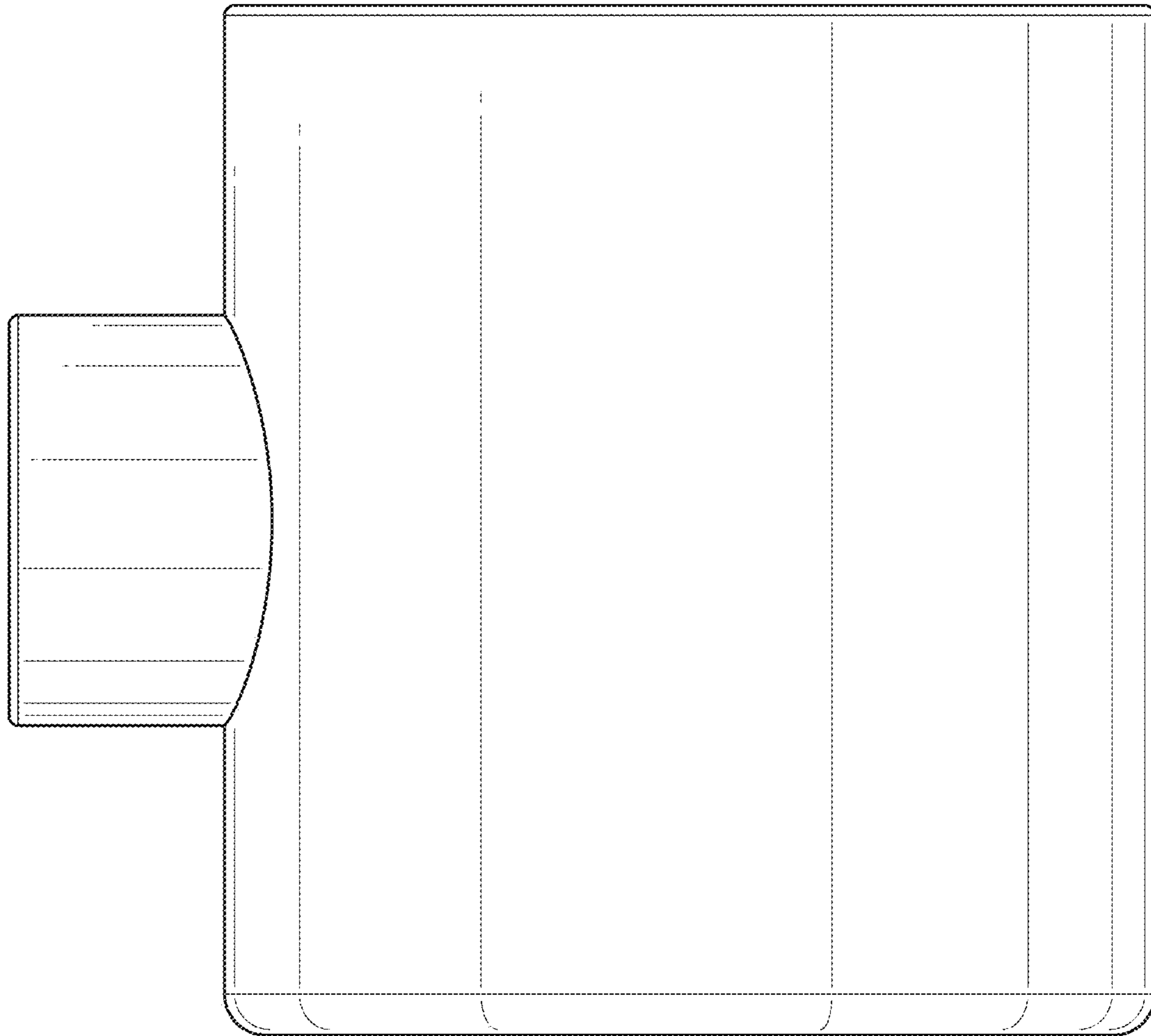


FIG. 5

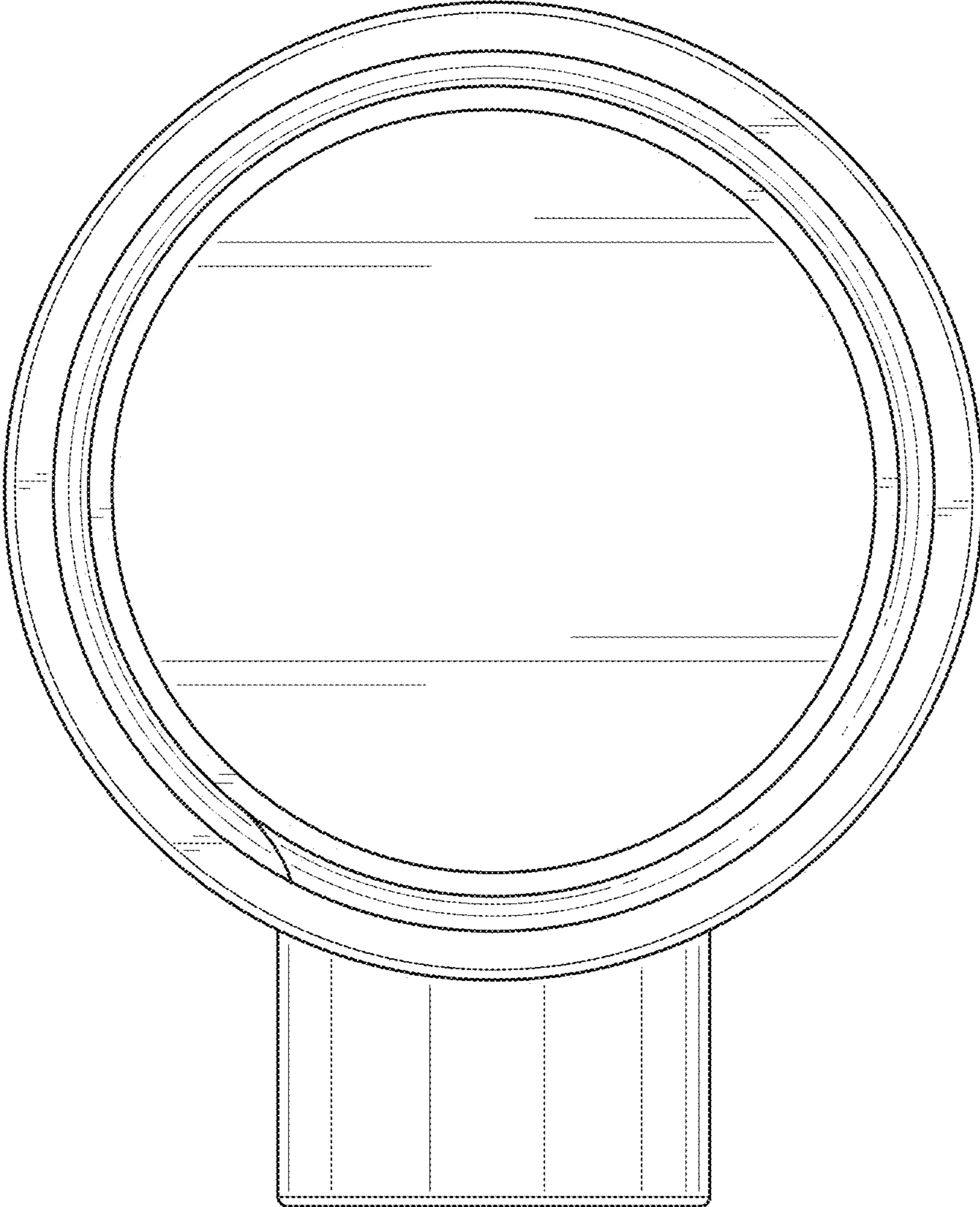


FIG. 6

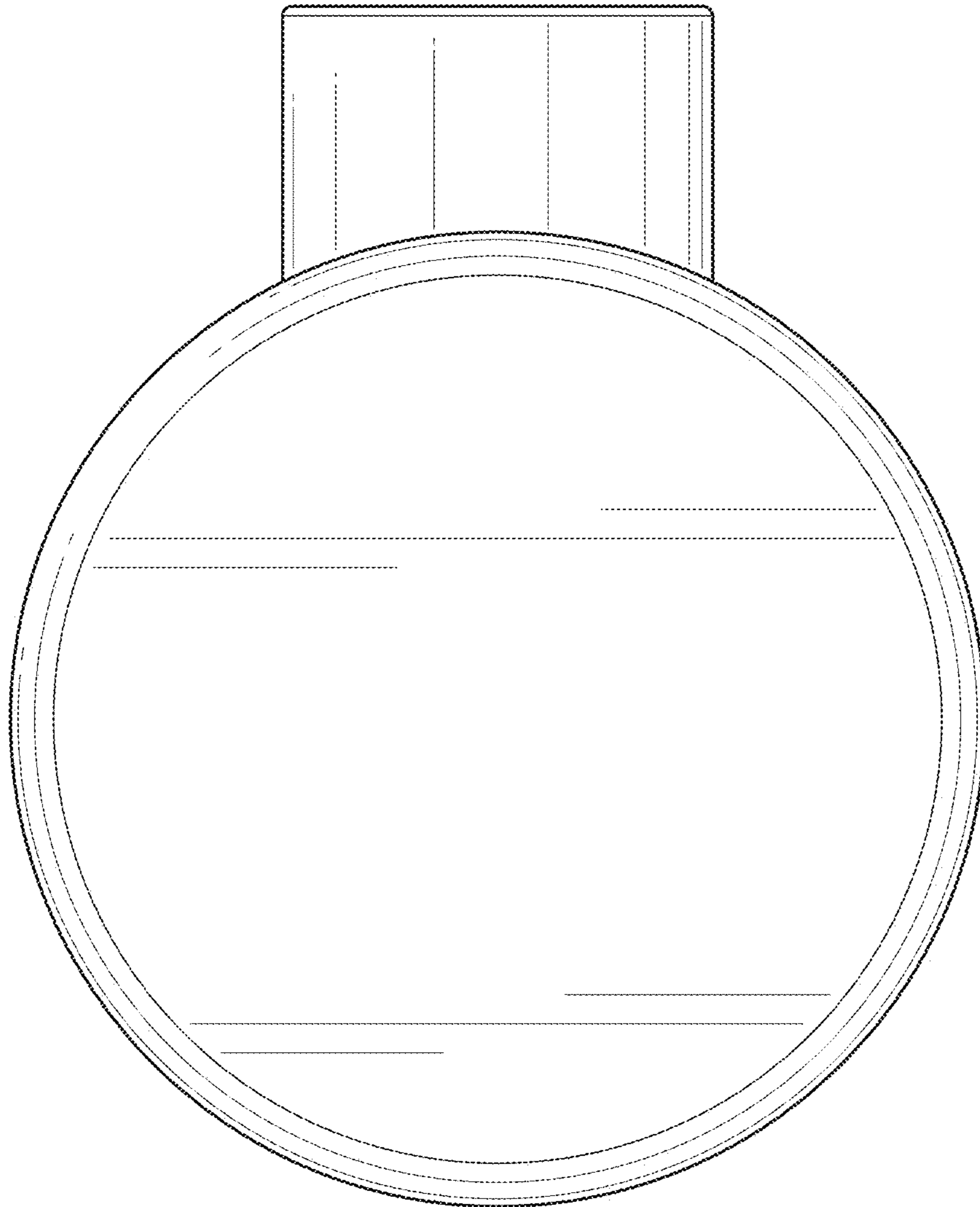


FIG. 7