



US00D877862S

(12) **United States Design Patent**
Murata et al.

(10) **Patent No.:** **US D877,862 S**
(45) **Date of Patent:** **** Mar. 10, 2020**

(54) **COIL ASSEMBLY FOR A SOLENOID VALVE**

(71) Applicant: **SAGINOMIYA SEISAKUSHO, INC.**,
Tokyo (JP)

(72) Inventors: **Masahiro Murata**, Sayama (JP);
Yutaka Koyama, Sayama (JP);
Daiichiro Kemmotsu, Sayama (JP);
Ryo Mitome, Sayama (JP); **Seiichi Nakano**, Sayama (JP)

(73) Assignee: **SAGINOMIYA SEISAKUSHO, INC.**,
Tokyo (JP)

(**) Term: **15 Years**

(21) Appl. No.: **29/689,871**

(22) Filed: **May 2, 2019**

Related U.S. Application Data

(62) Division of application No. 29/611,983, filed on Jul. 27, 2017.

(30) **Foreign Application Priority Data**

Jan. 31, 2017 (JP) 2017-1660
Jan. 31, 2017 (JP) 2017-1661

(Continued)

(51) **LOC (12) Cl.** **23-01**

(52) **U.S. Cl.**
USPC **D23/249**

(58) **Field of Classification Search**

USPC D23/233-237, 241-250; 251/129.15,
251/129.1, 129.21, 129.01, 129.09, 30.03;
137/315.03, 625.64, 870; 174/151

(Continued)

(56) **References Cited**

U.S. PATENT DOCUMENTS

5,710,535 A * 1/1998 Goloff H01F 27/29
174/151
6,073,904 A * 6/2000 Diller F16K 31/082
251/30.03

(Continued)

Primary Examiner — Gino Colan

(74) *Attorney, Agent, or Firm* — Reising Ethington P.C.

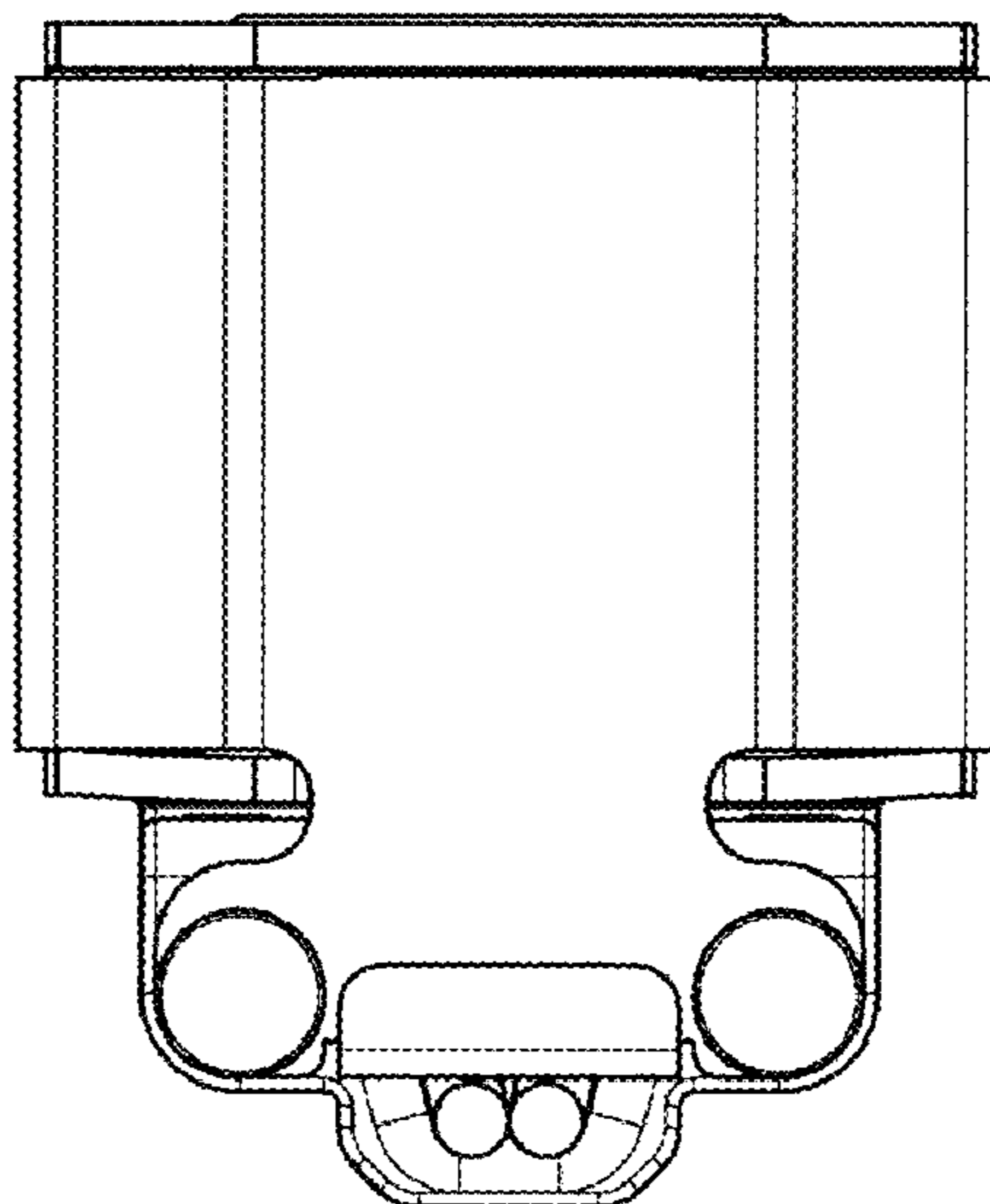
(57) **CLAIM**

We claim the ornamental design of a coil assembly for solenoid valve, as shown and described.

DESCRIPTION

FIG. 1 is a front elevation view of a first embodiment of a coil assembly for a solenoid valve showing our new design; FIG. 2 is a rear elevation view thereof; FIG. 3 is a right side elevation view thereof; FIG. 4 is a left side elevation view thereof; FIG. 5 is a top plan view thereof; FIG. 6 is a bottom plan view thereof; FIG. 7 is a front, left and top perspective view thereof; FIG. 8 is a rear, left and top perspective view thereof; FIG. 9 is a front, left and bottom perspective view thereof; FIG. 10 is a rear, left and bottom perspective view thereof; FIG. 11 is a front elevation view of a second embodiment of a coil assembly for a solenoid valve showing our new design; FIG. 12 is a rear elevation view thereof; FIG. 13 is a right side elevation view thereof; FIG. 14 is a left side elevation view thereof; FIG. 15 is a top plan view thereof; FIG. 16 is a bottom plan view thereof; FIG. 17 is a front, left and top perspective view thereof; FIG. 18 is a rear, left and top perspective view thereof; FIG. 19 is a front, left and bottom perspective view thereof; and, FIG. 20 is a rear, left and bottom perspective view thereof. The coil assembly for a solenoid valve is shown with a symbolic break in its length. The appearance of any portion of the article between the break lines forms no part of the claimed design.

1 Claim, 10 Drawing Sheets



(30) **Foreign Application Priority Data**

Jul. 21, 2017 (JP) 2017-15790
Jul. 21, 2017 (JP) 2017-15791
Jul. 21, 2017 (JP) 2017-15792
Jul. 21, 2017 (JP) 2017-15793

(58) **Field of Classification Search**

CPC F16K 27/003; F16K 31/06; F16K 31/0675;
F16K 27/029

See application file for complete search history.

(56) **References Cited**

U.S. PATENT DOCUMENTS

D615,618 S * 5/2010 Someya D23/233
D791,917 S * 7/2017 Itoh D23/233
D825,717 S * 8/2018 Karibe D23/233
D825,718 S * 8/2018 Karibe D23/233
D826,377 S * 8/2018 Karibe D23/233
10,072,764 B2 * 9/2018 No F16K 27/029
D839,994 S * 2/2019 Cole D23/249

* cited by examiner

FIG. 1

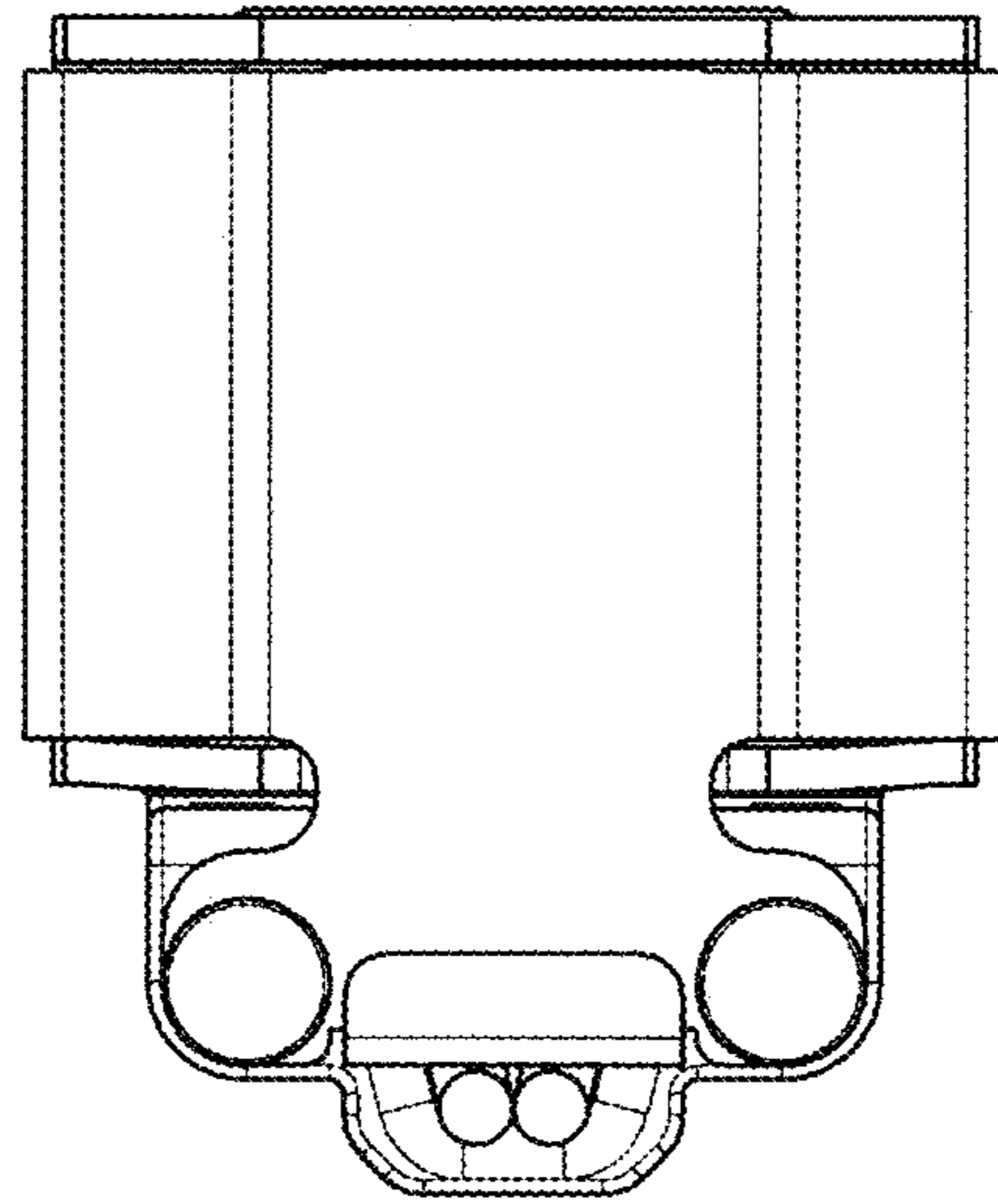


FIG. 2

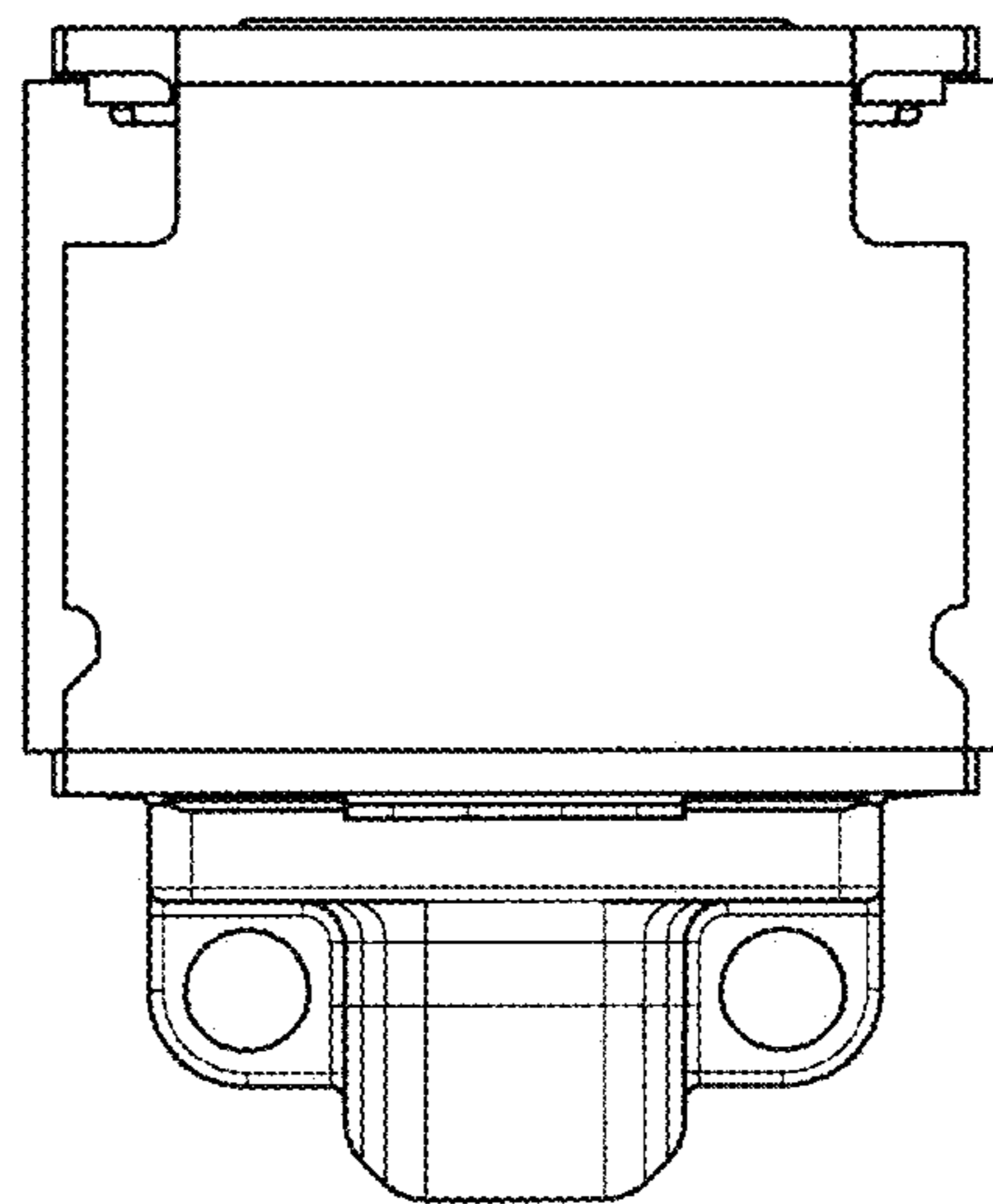


FIG. 3

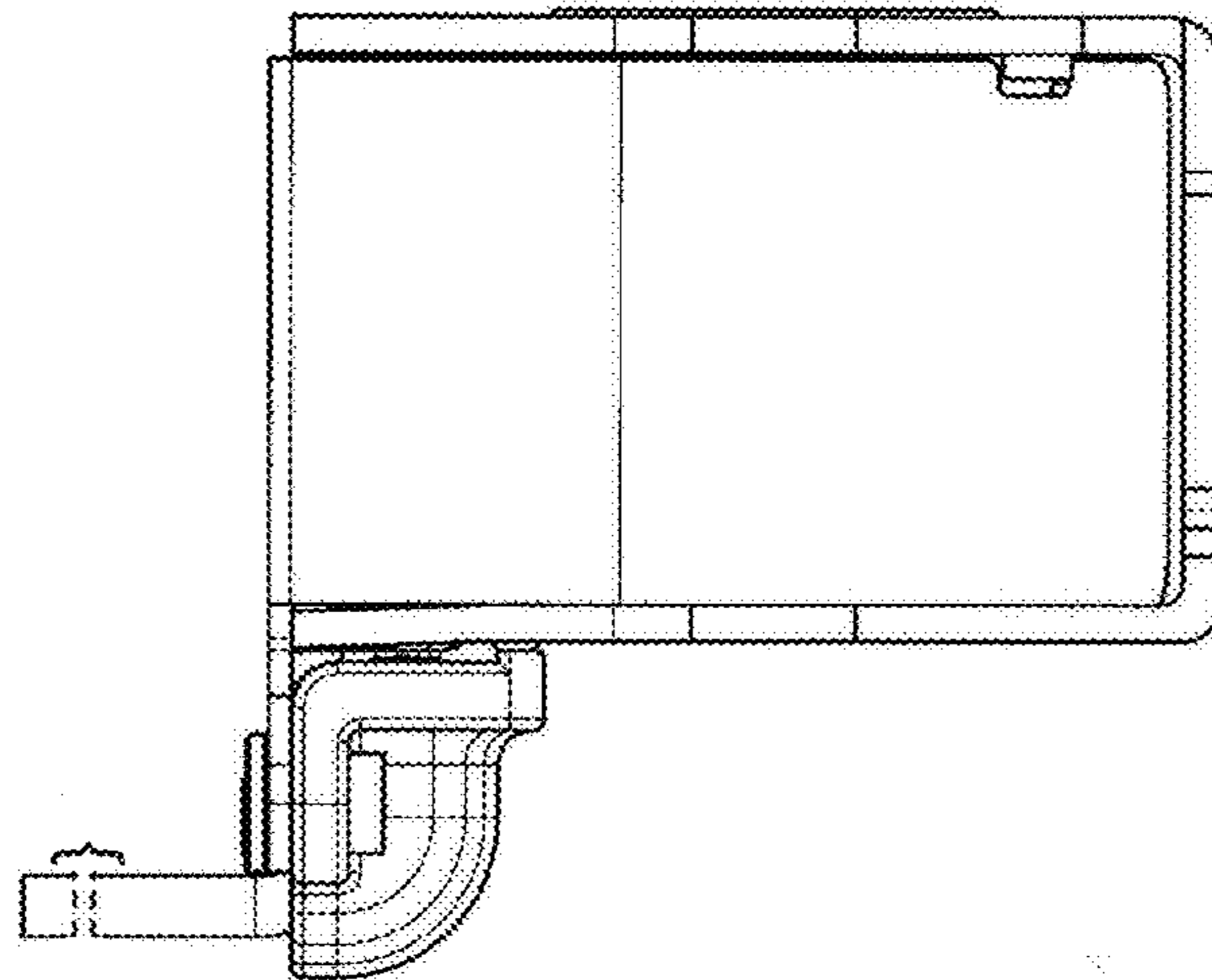


FIG. 4

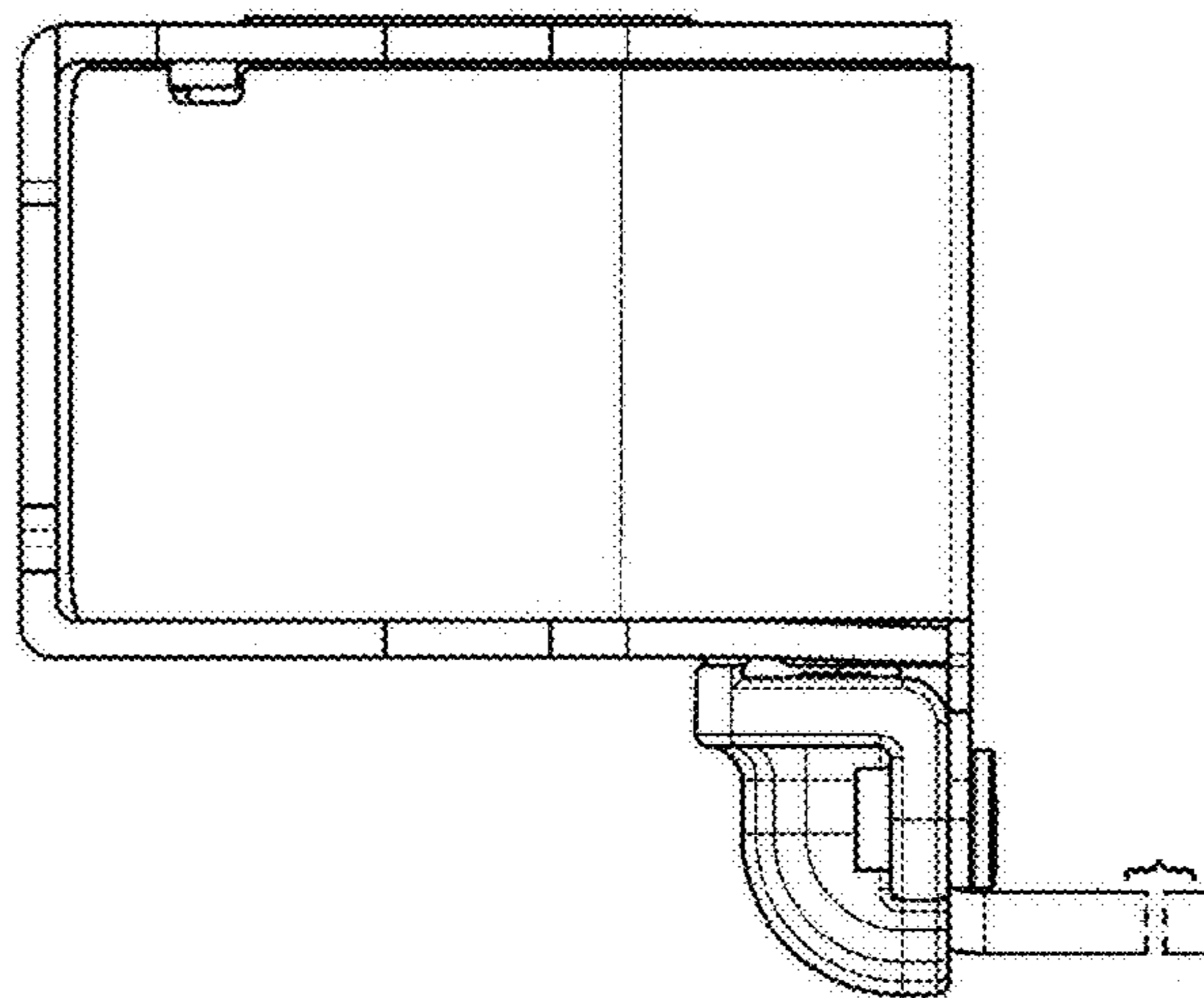


FIG. 5

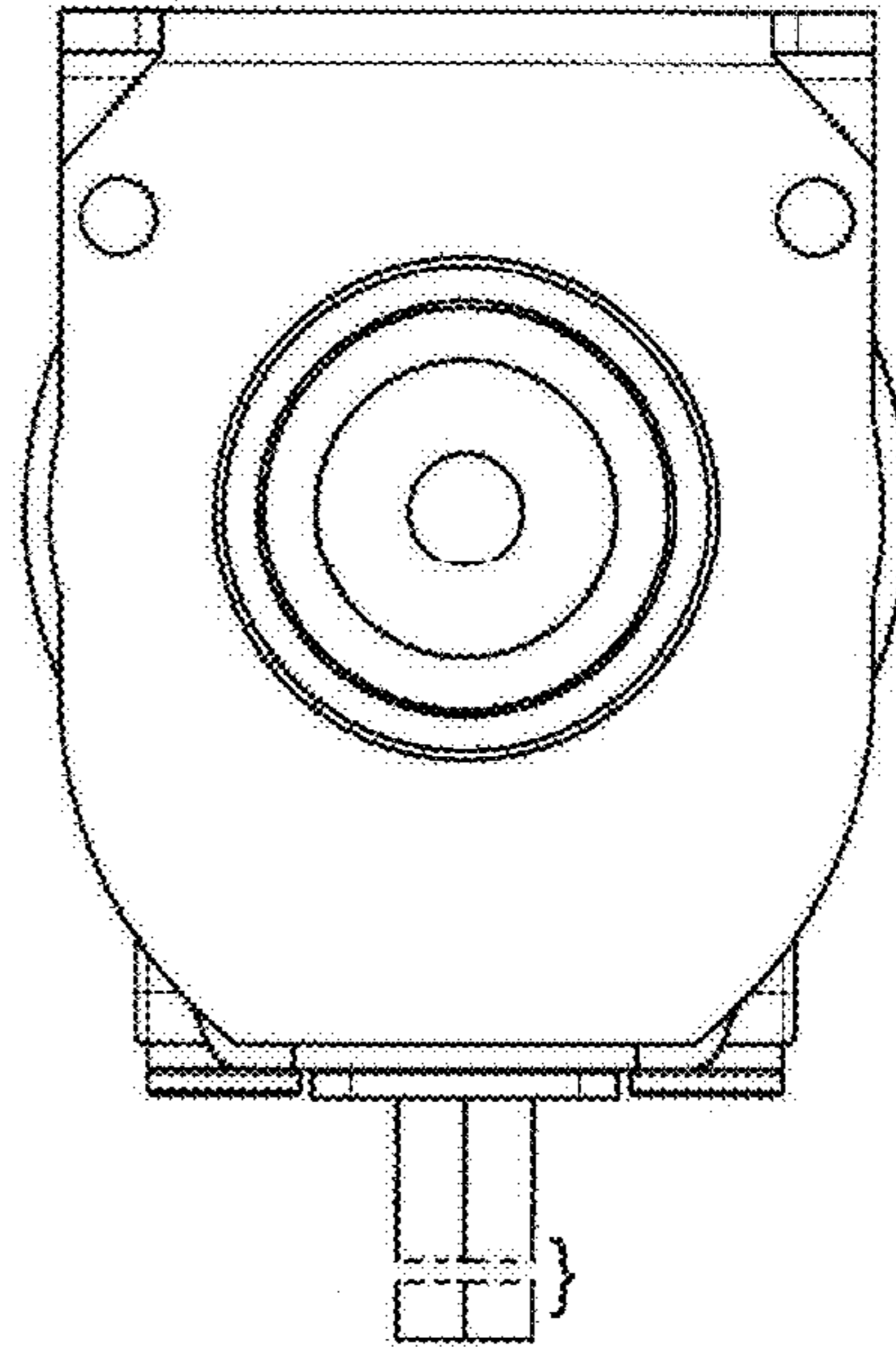


FIG. 6

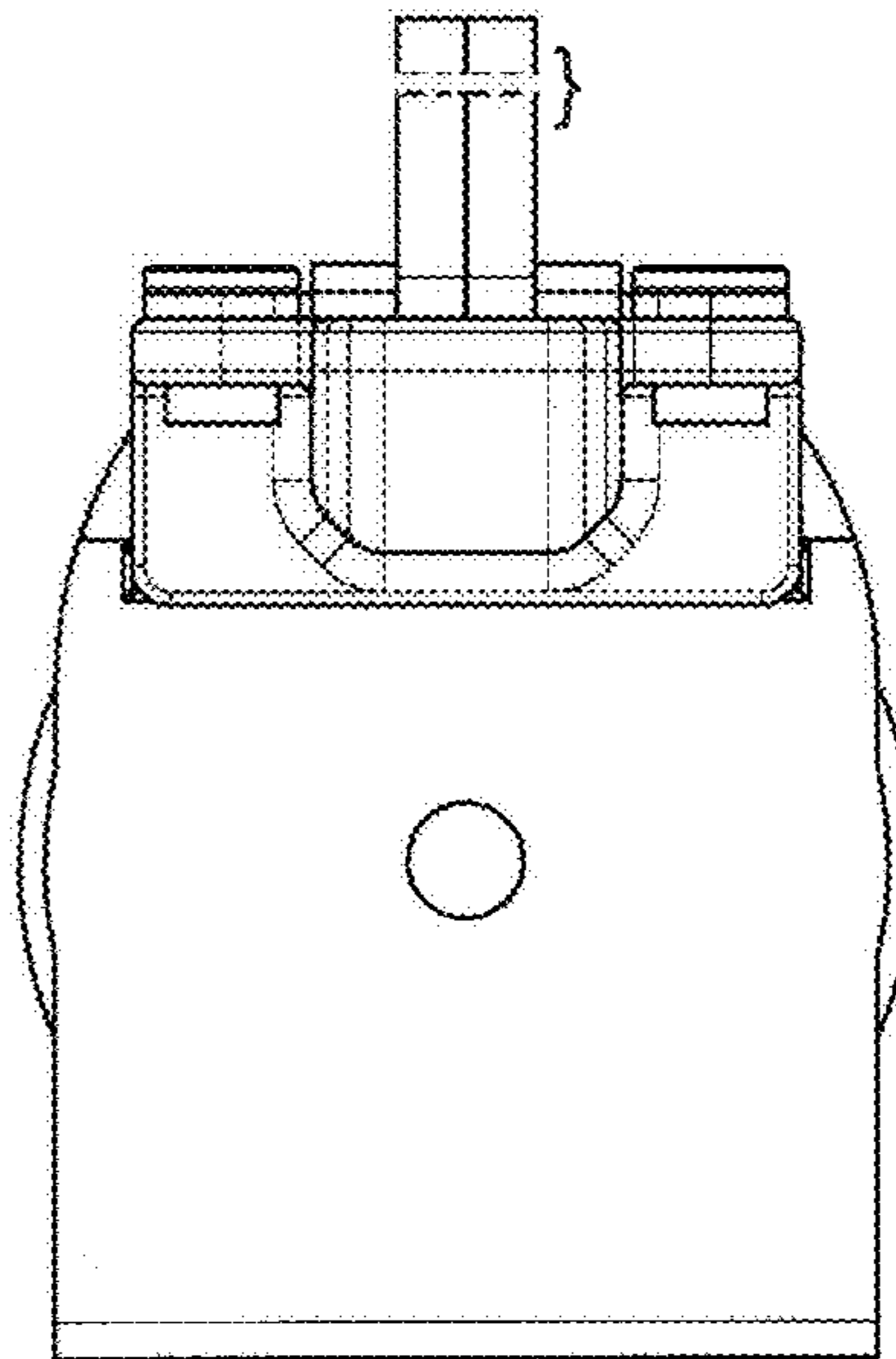


FIG. 7

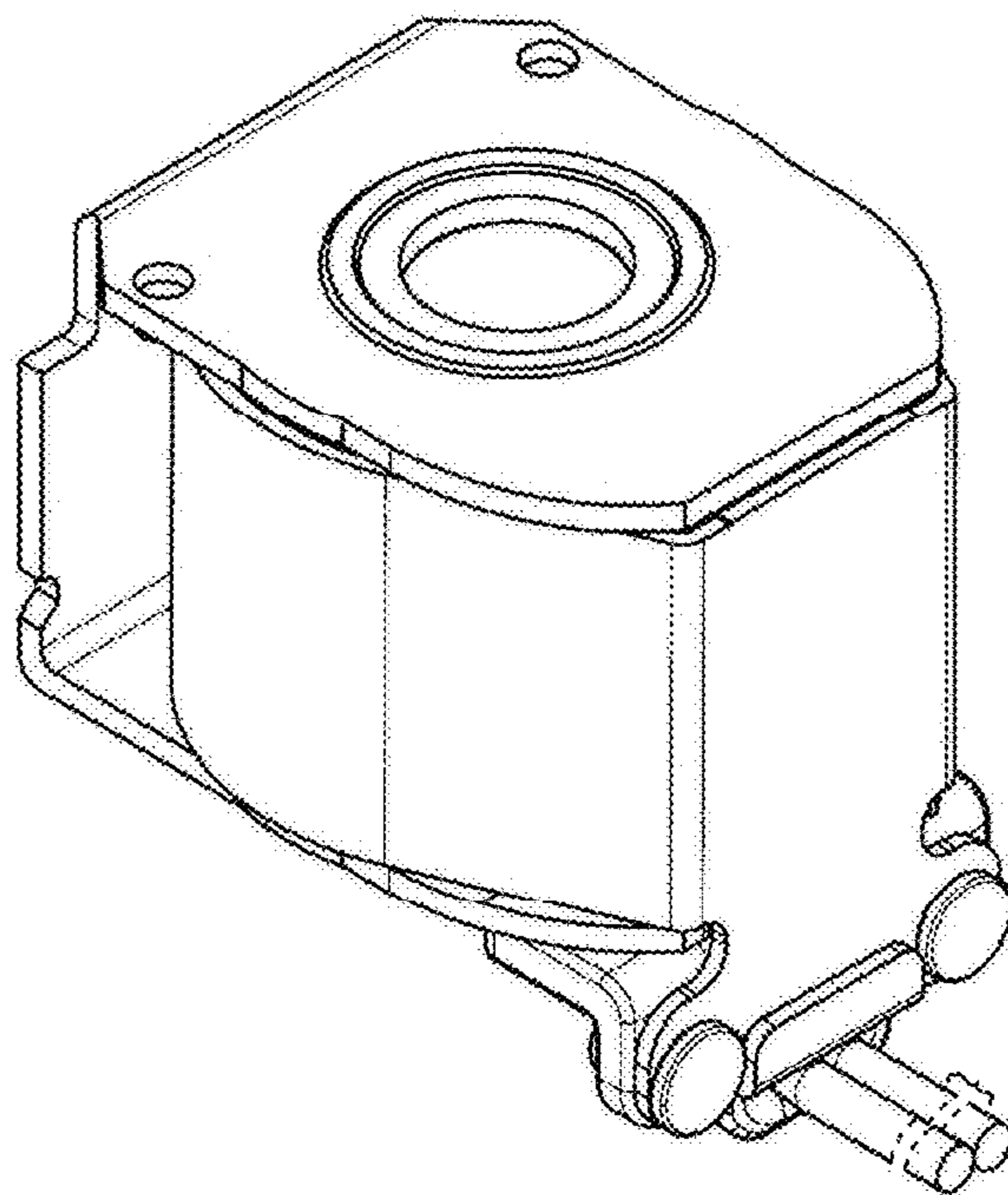


FIG. 8

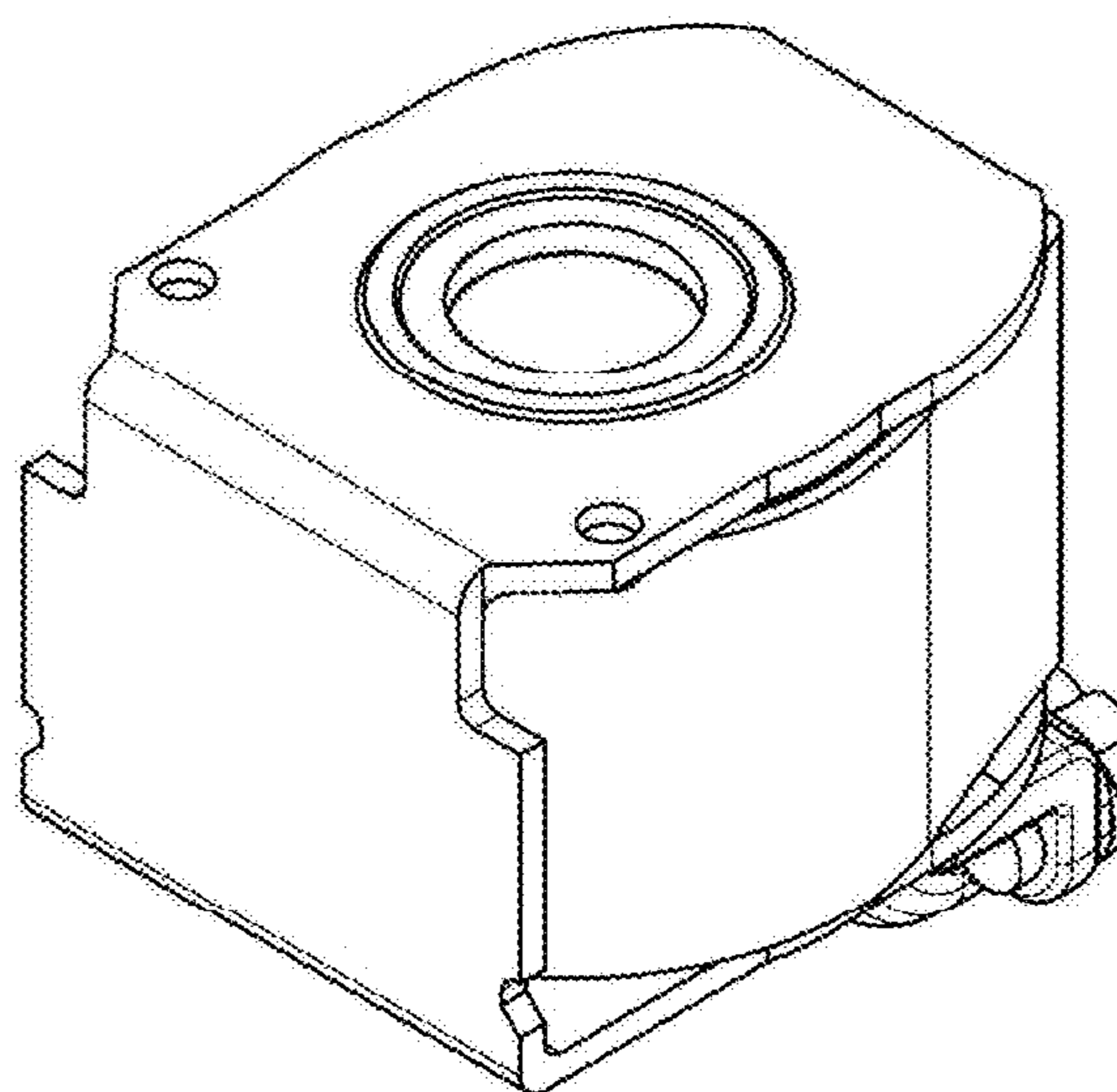


FIG. 9

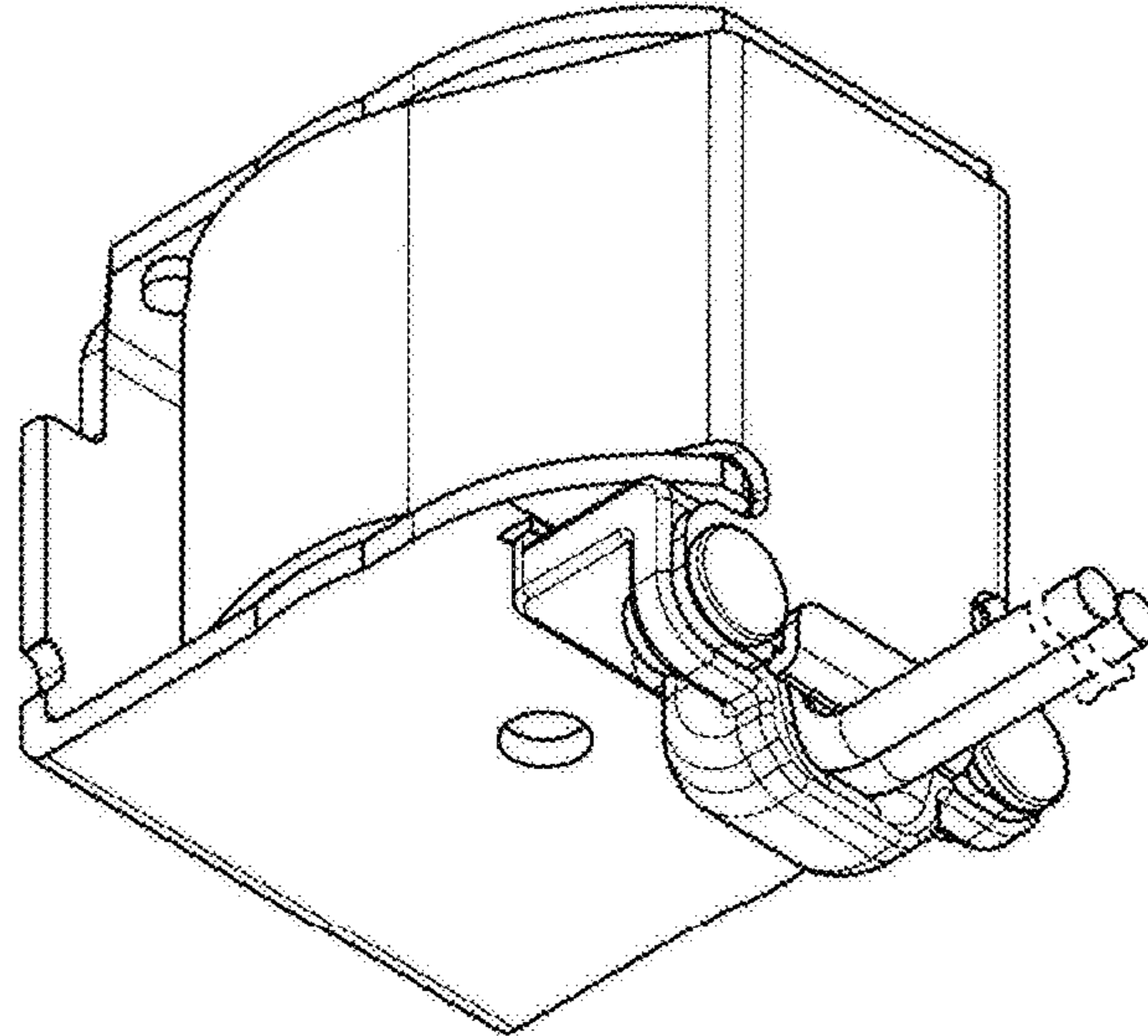


FIG. 10

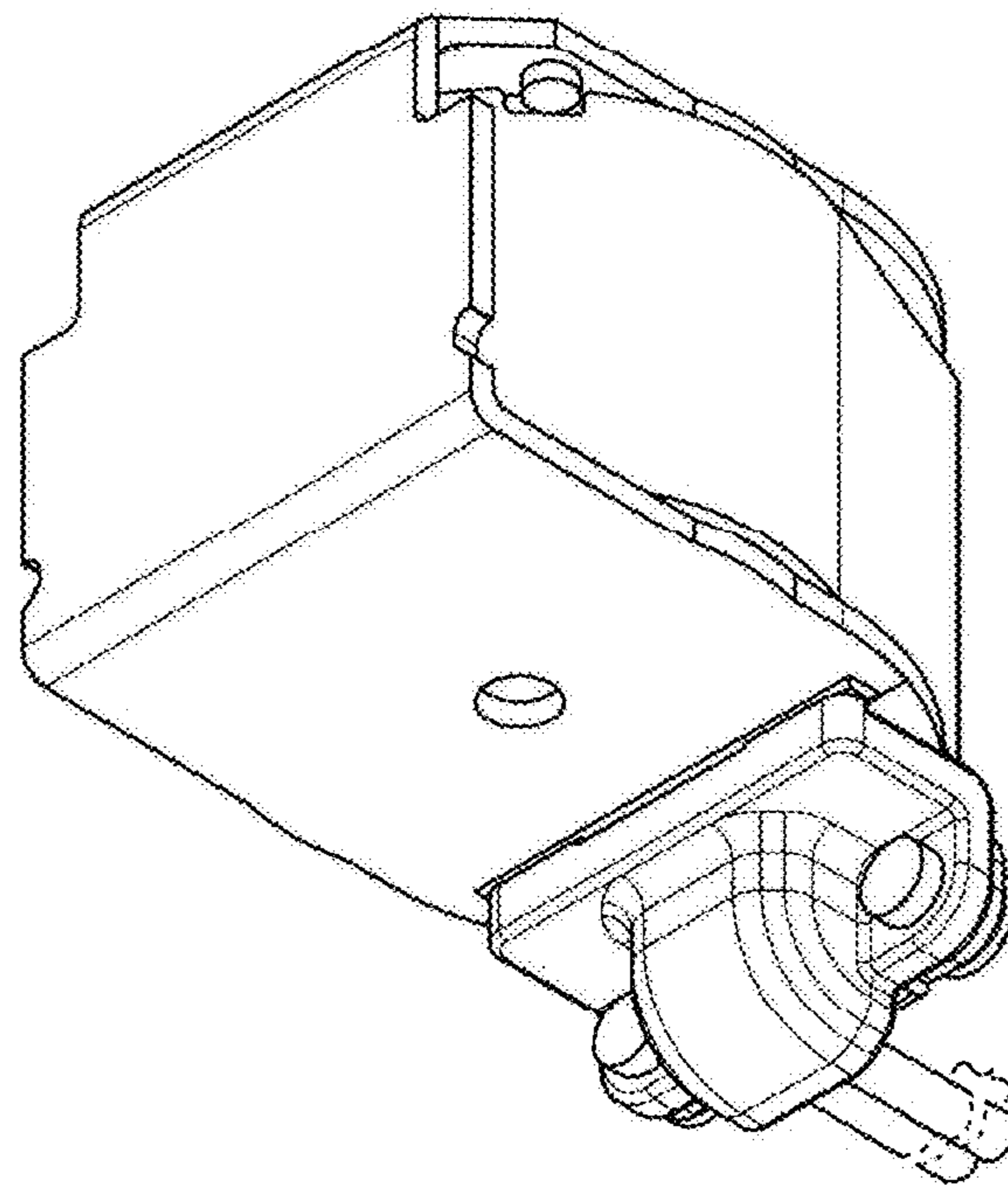


FIG. 11

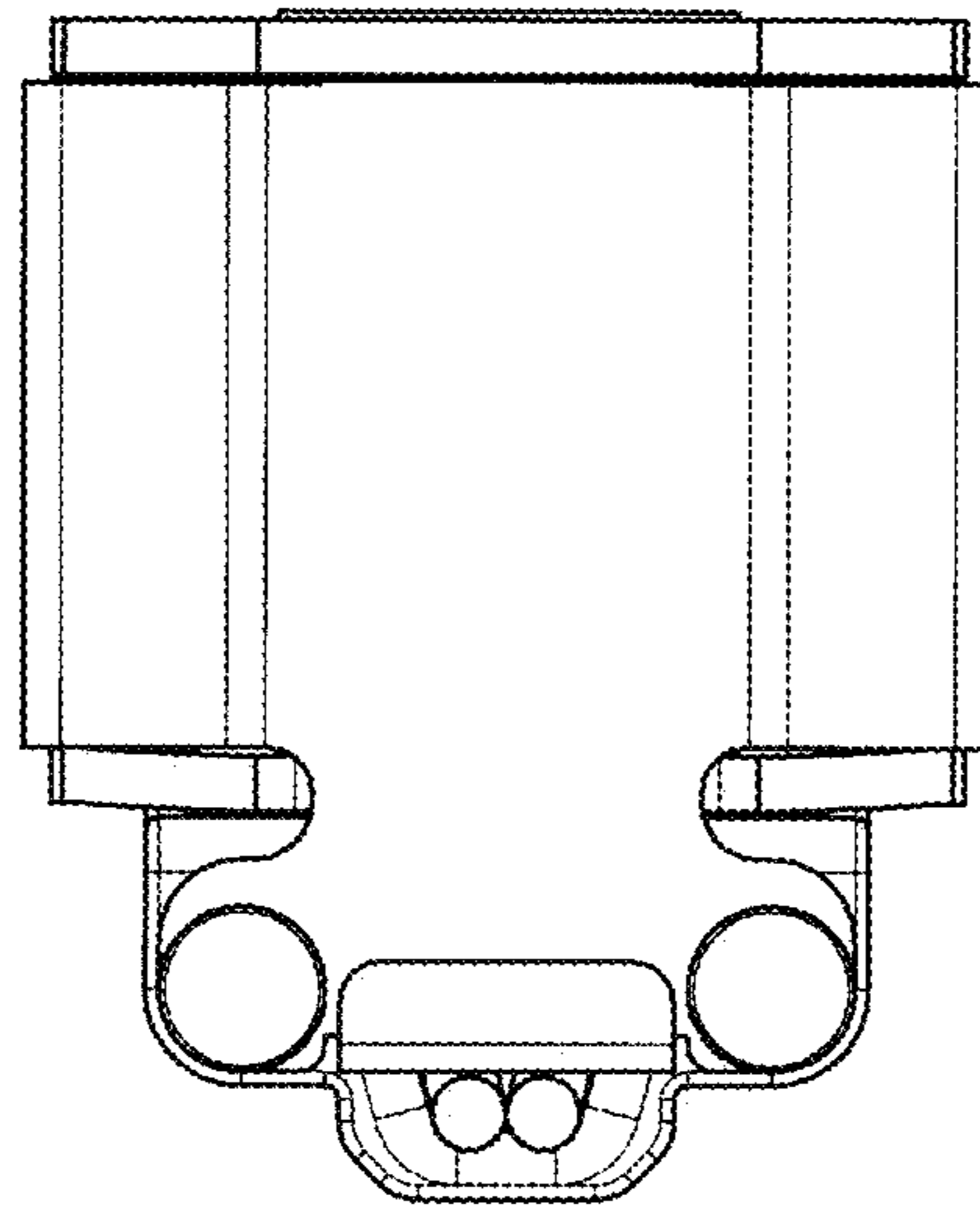


FIG. 12

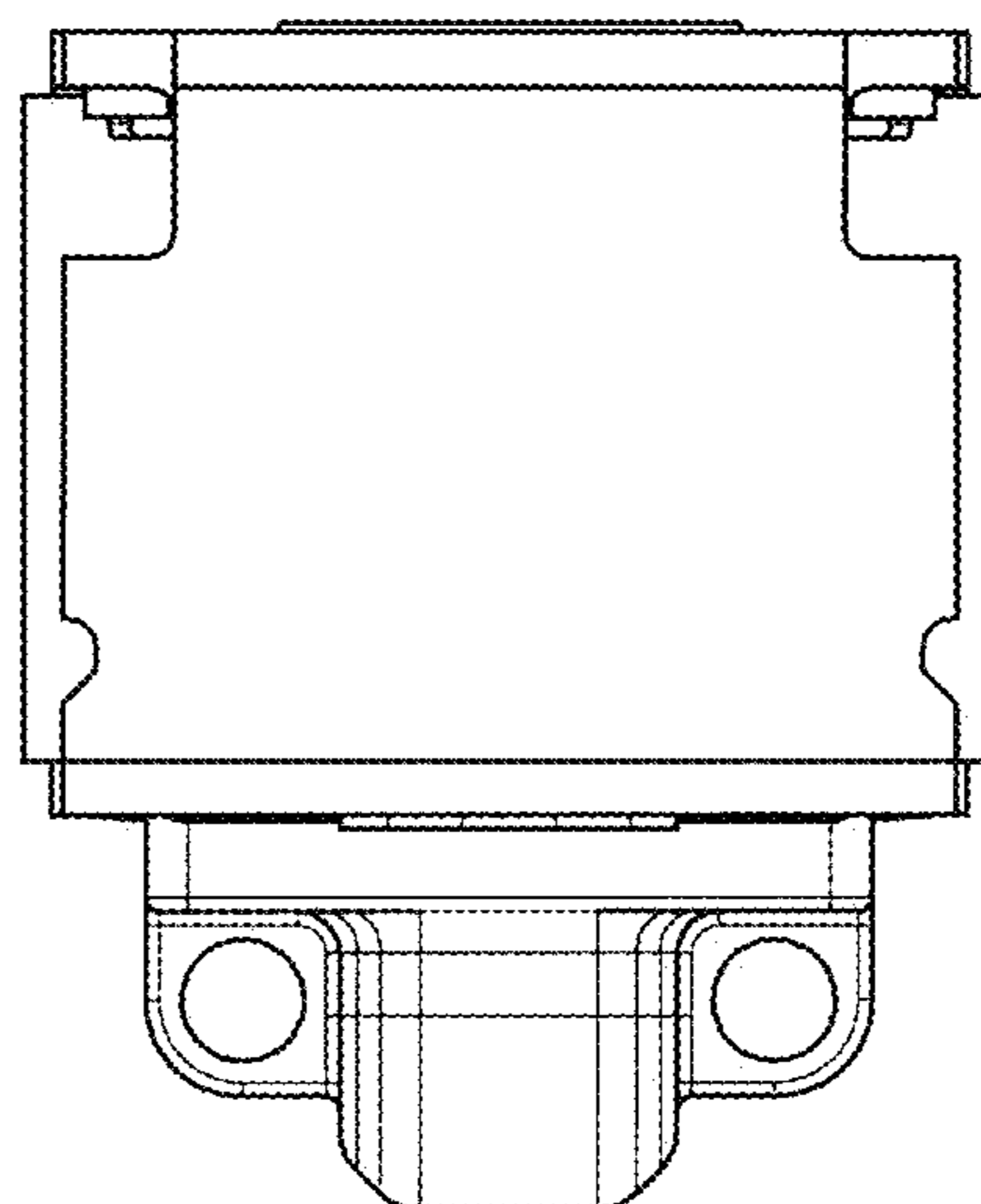


FIG. 13

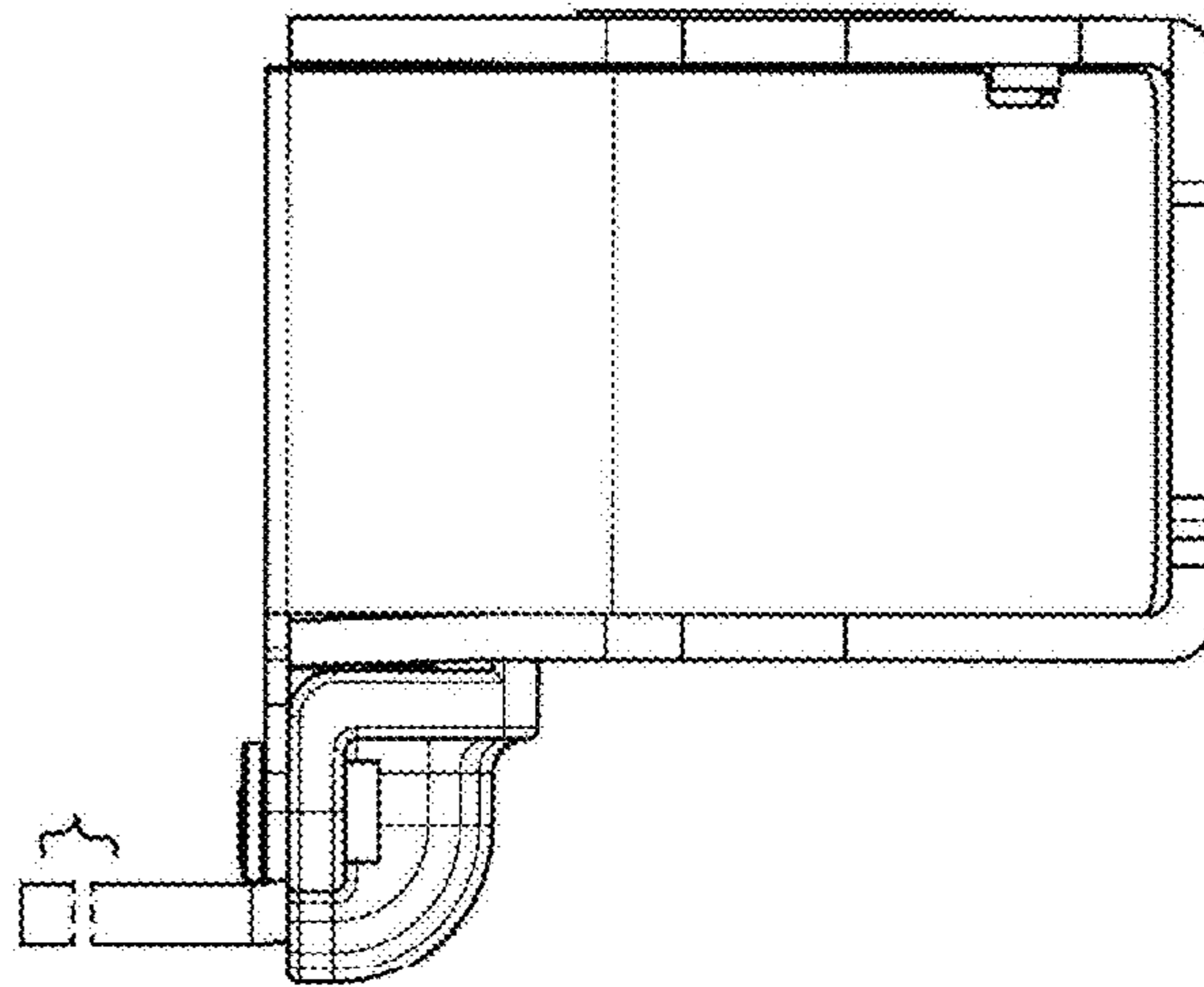


FIG. 14

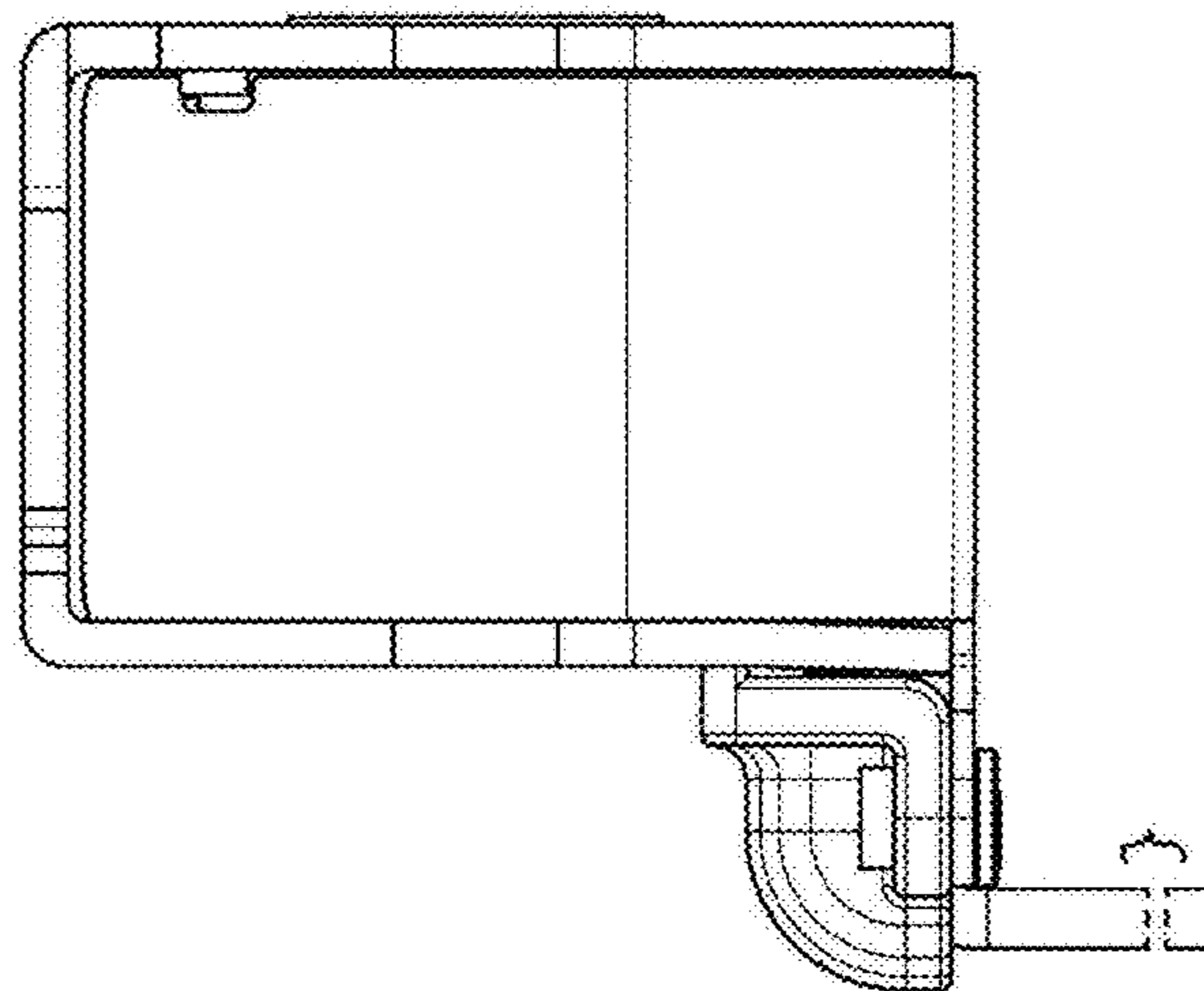


FIG. 15

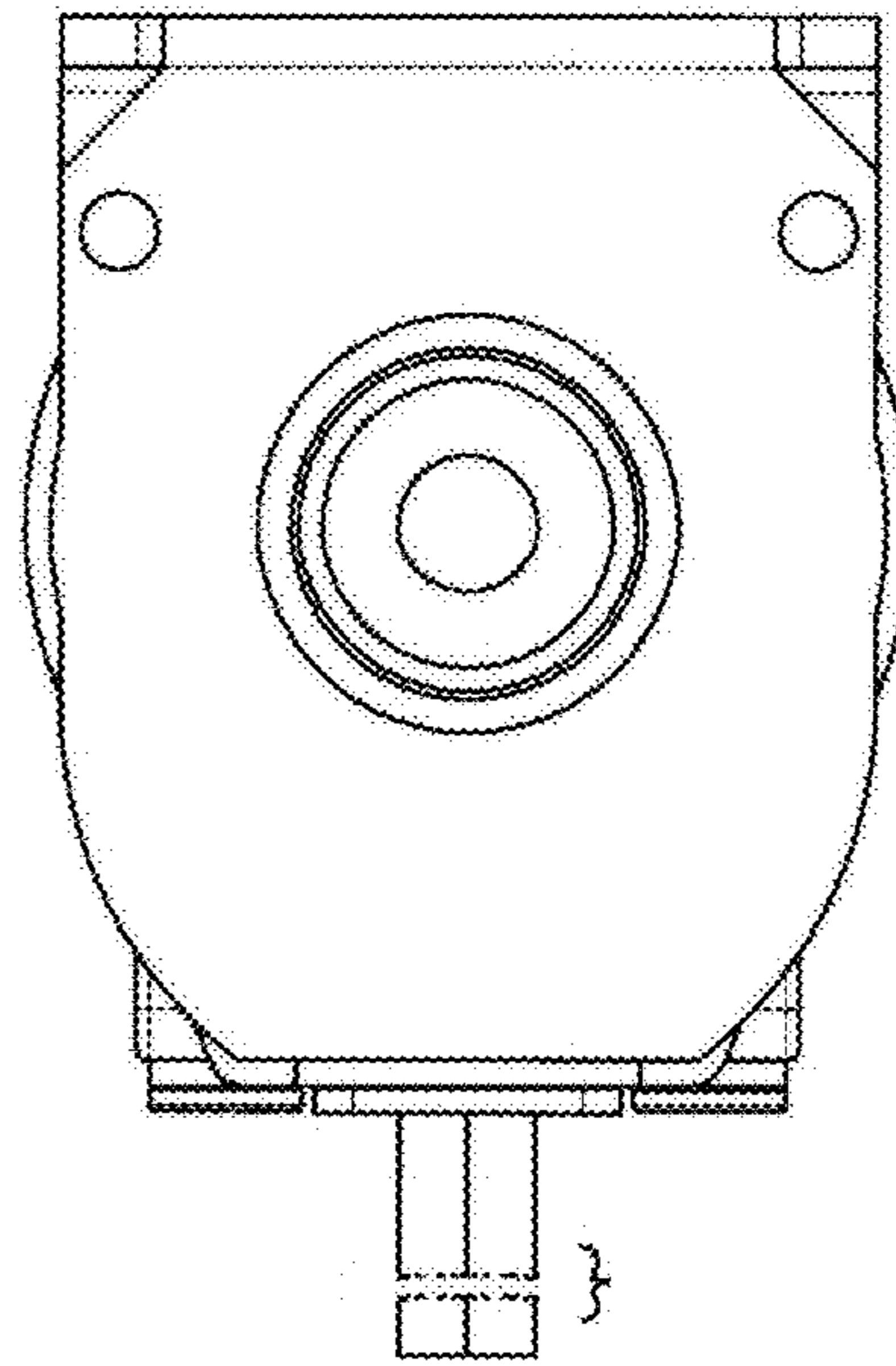


FIG. 16

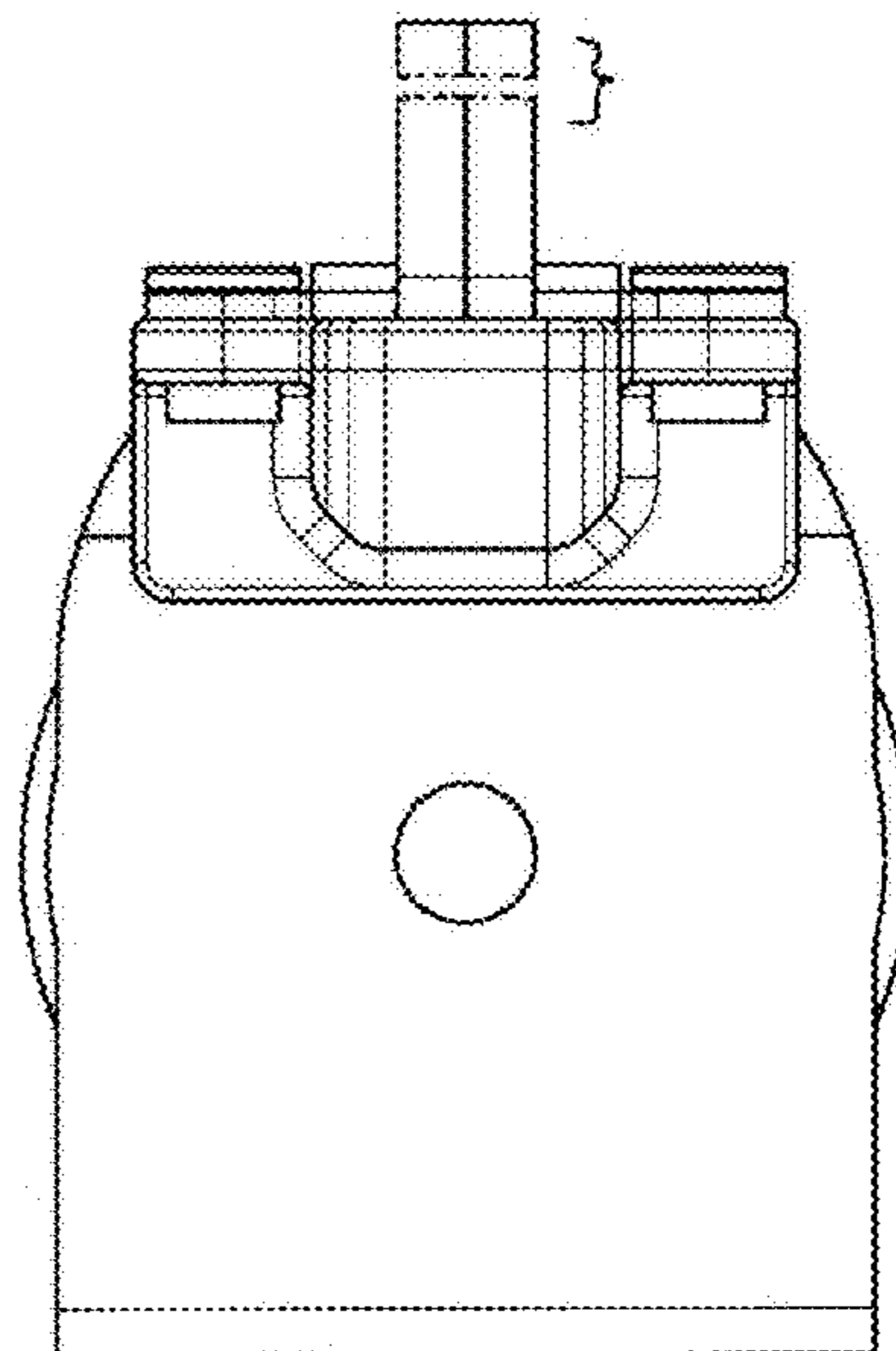


FIG. 17

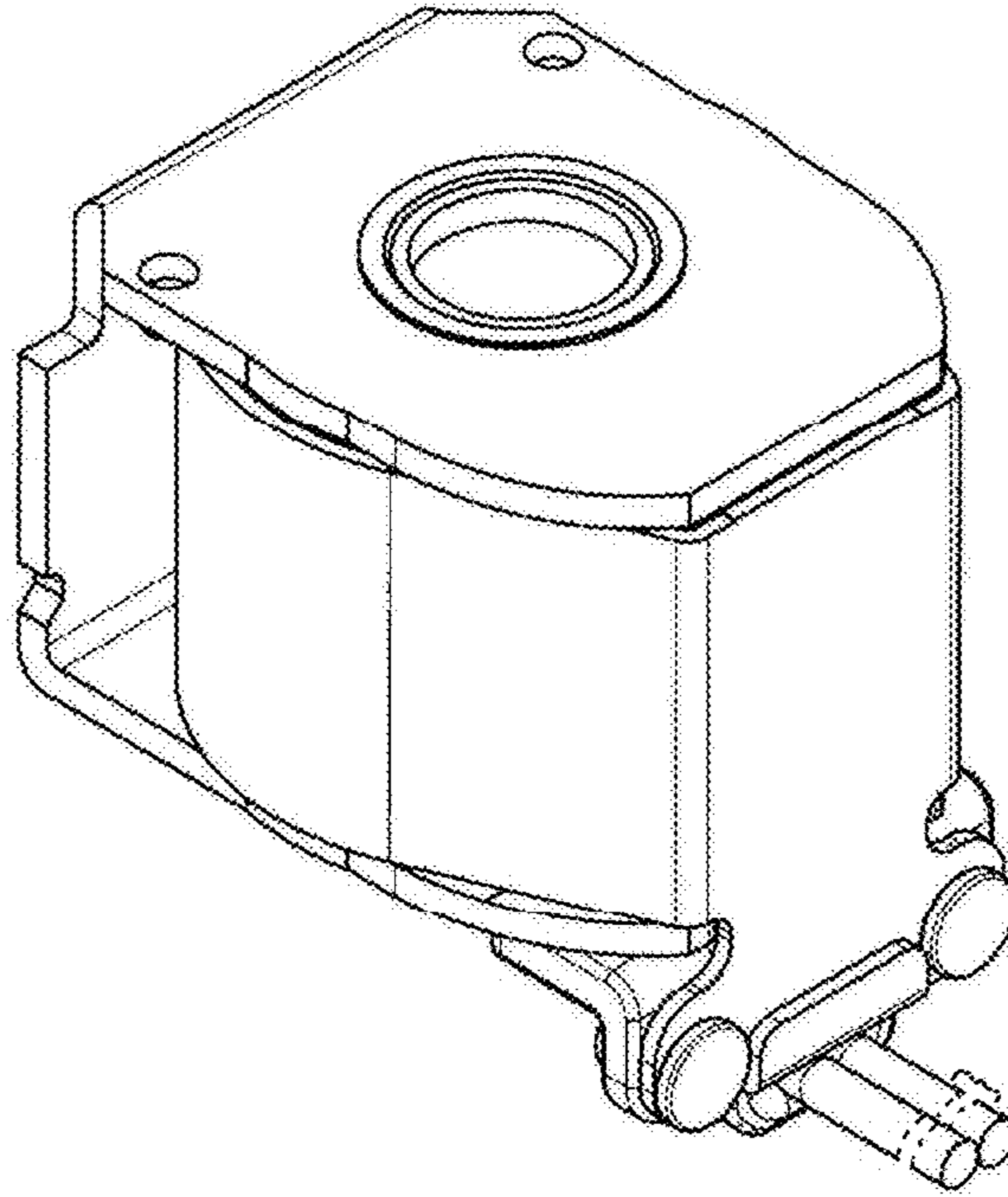


FIG. 18

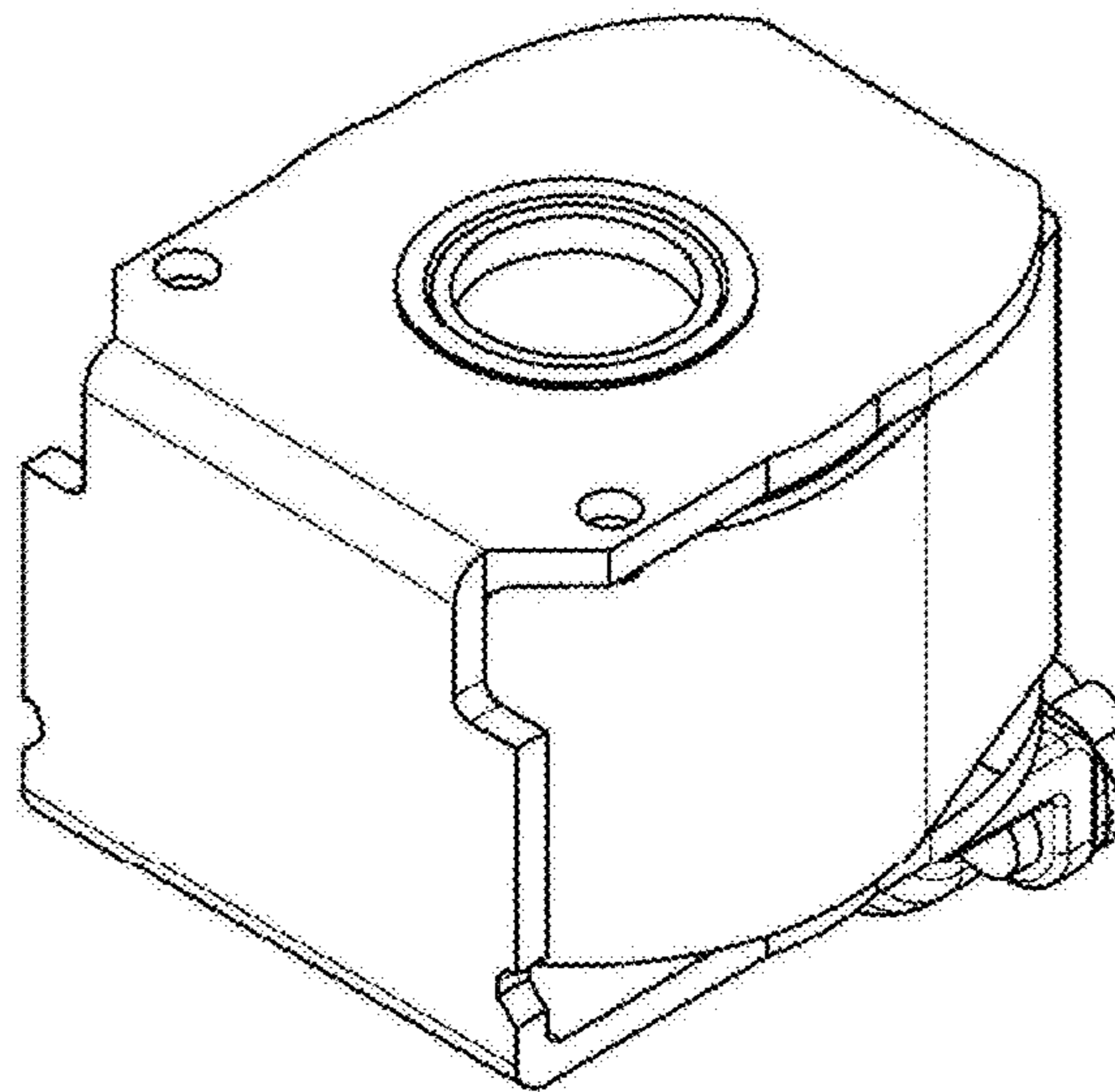


FIG. 19

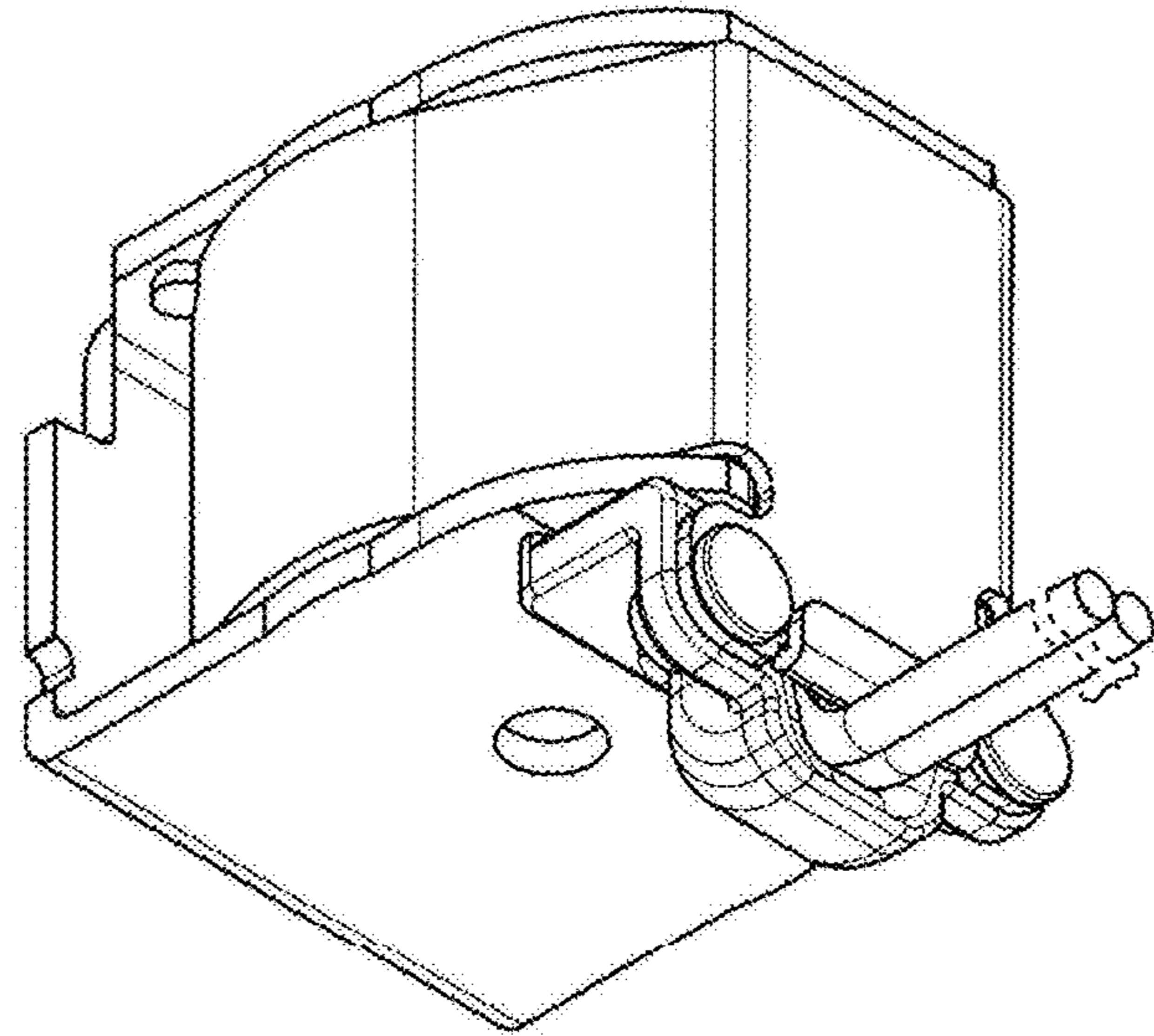


FIG. 20

