



US00D877861S

(12) **United States Design Patent**  
**Garland**

(10) **Patent No.:** **US D877,861 S**

(45) **Date of Patent:** **\*\* Mar. 10, 2020**

(54) **FAUCET**

(71) Applicant: **DELTA FAUCET COMPANY,**  
Indianapolis, IN (US)

(72) Inventor: **Celine Kwok Garland,** Zionsville, IN  
(US)

(73) Assignee: **DELTA FAUCET COMPANY,**  
Indianapolis, IN (US)

(\*\*) Term: **15 Years**

(21) Appl. No.: **29/634,226**

(22) Filed: **Jan. 19, 2018**

(51) **LOC (12) Cl.** ..... **23-01**

(52) **U.S. Cl.**  
USPC ..... **D23/242**

(58) **Field of Classification Search**  
USPC ..... D23/238, 239, 240, 241, 242, 243, 249,  
D23/250, 252, 255, 257; D8/350, 353,  
D8/307

CPC ..... Y10T 137/9464; Y10T 137/6014; Y10T  
137/0491; E03C 1/02; E03C 1/04; E03C  
1/0404; E03C 1/042

See application file for complete search history.

(56) **References Cited**

**U.S. PATENT DOCUMENTS**

D203,147 S \* 12/1965 Kaiser ..... D23/250  
D203,148 S \* 12/1965 Kaiser ..... D23/250  
D429,521 S \* 8/2000 Doughty ..... D23/250  
D447,541 S \* 9/2001 Dretzka ..... D23/241

D462,418 S \* 9/2002 Smith ..... D23/238  
D472,615 S \* 4/2003 Smith ..... D23/238  
D476,064 S \* 6/2003 Smith ..... D23/250  
D566,816 S \* 4/2008 Wang ..... D23/255  
D570,455 S \* 6/2008 Dolan ..... D23/250  
D579,082 S \* 10/2008 Yuan ..... D23/250  
D581,498 S \* 11/2008 Dolan ..... D23/255  
D654,570 S \* 2/2012 Yu ..... D23/242  
D712,521 S \* 9/2014 Smith ..... D23/257  
D714,913 S \* 10/2014 Smith ..... D23/250  
D791,282 S \* 7/2017 Bahler ..... D23/255  
D811,556 S \* 2/2018 Garland ..... D23/255

\* cited by examiner

*Primary Examiner* — Sheryl Lane

*Assistant Examiner* — Samantha N Wood

(74) *Attorney, Agent, or Firm* — Edgar A. Zarins; Nirav  
D. Parikh

(57) **CLAIM**

The ornamental design for a faucet, as shown and described.

**DESCRIPTION**

FIG. 1 is a front perspective view of a faucet showing my  
new design;

FIG. 2 is a rear perspective view thereof;

FIG. 3 is a front elevational view thereof;

FIG. 4 is a left side view thereof;

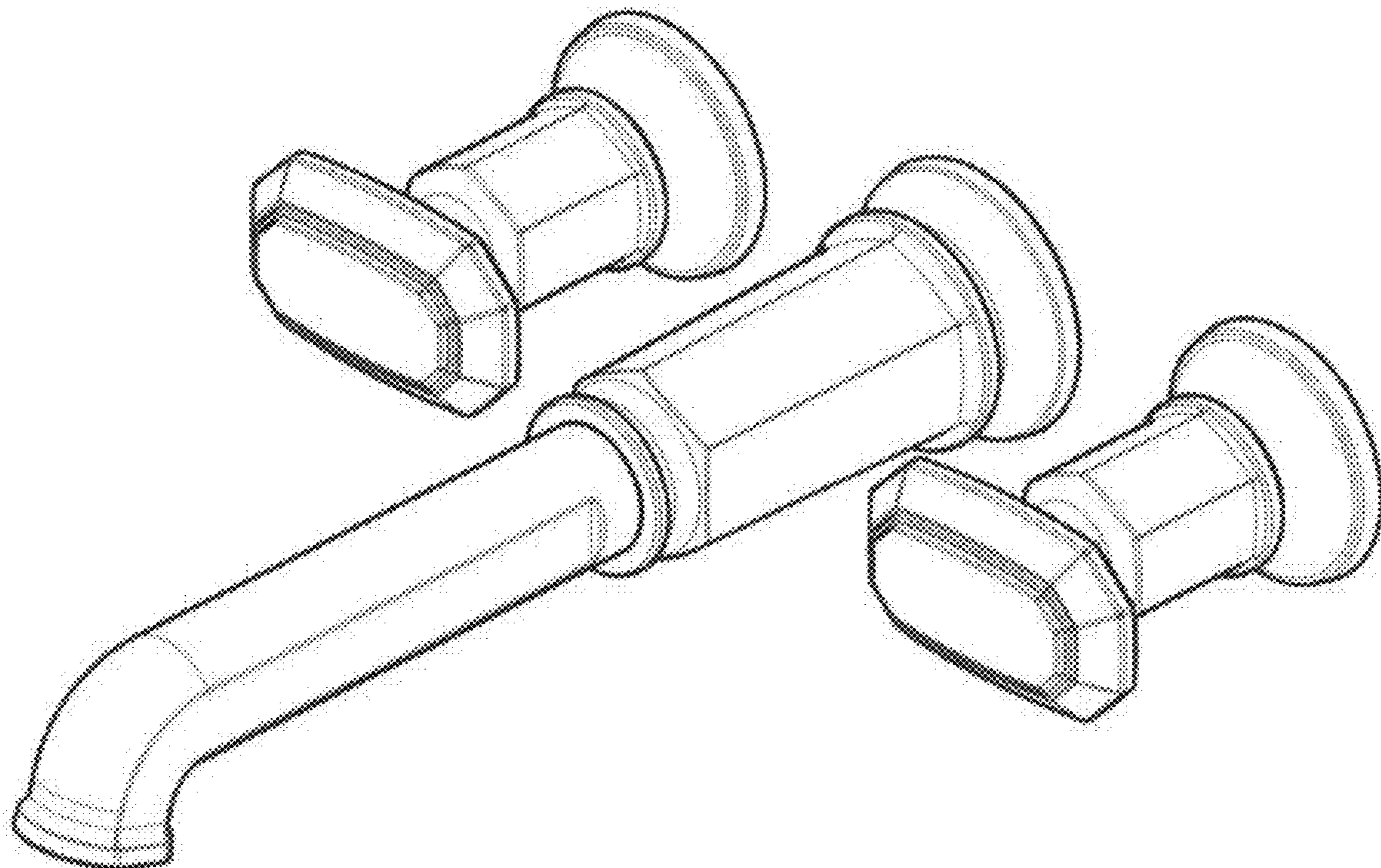
FIG. 5 is a rear view thereof;

FIG. 6 is a right side view thereof;

FIG. 7 is a top plan view thereof; and,

FIG. 8 is a bottom view thereof.

**1 Claim, 4 Drawing Sheets**



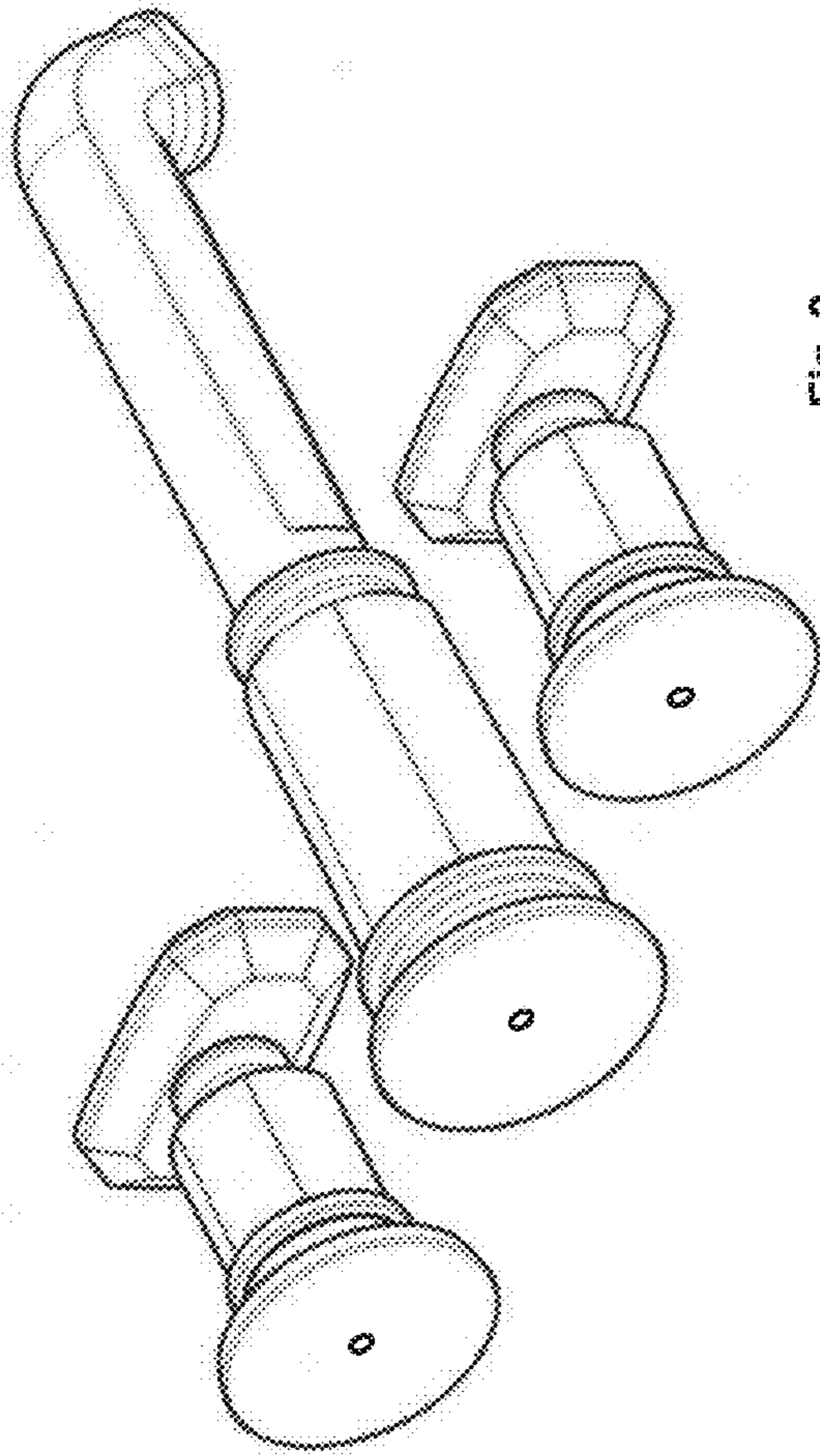


Fig. 2

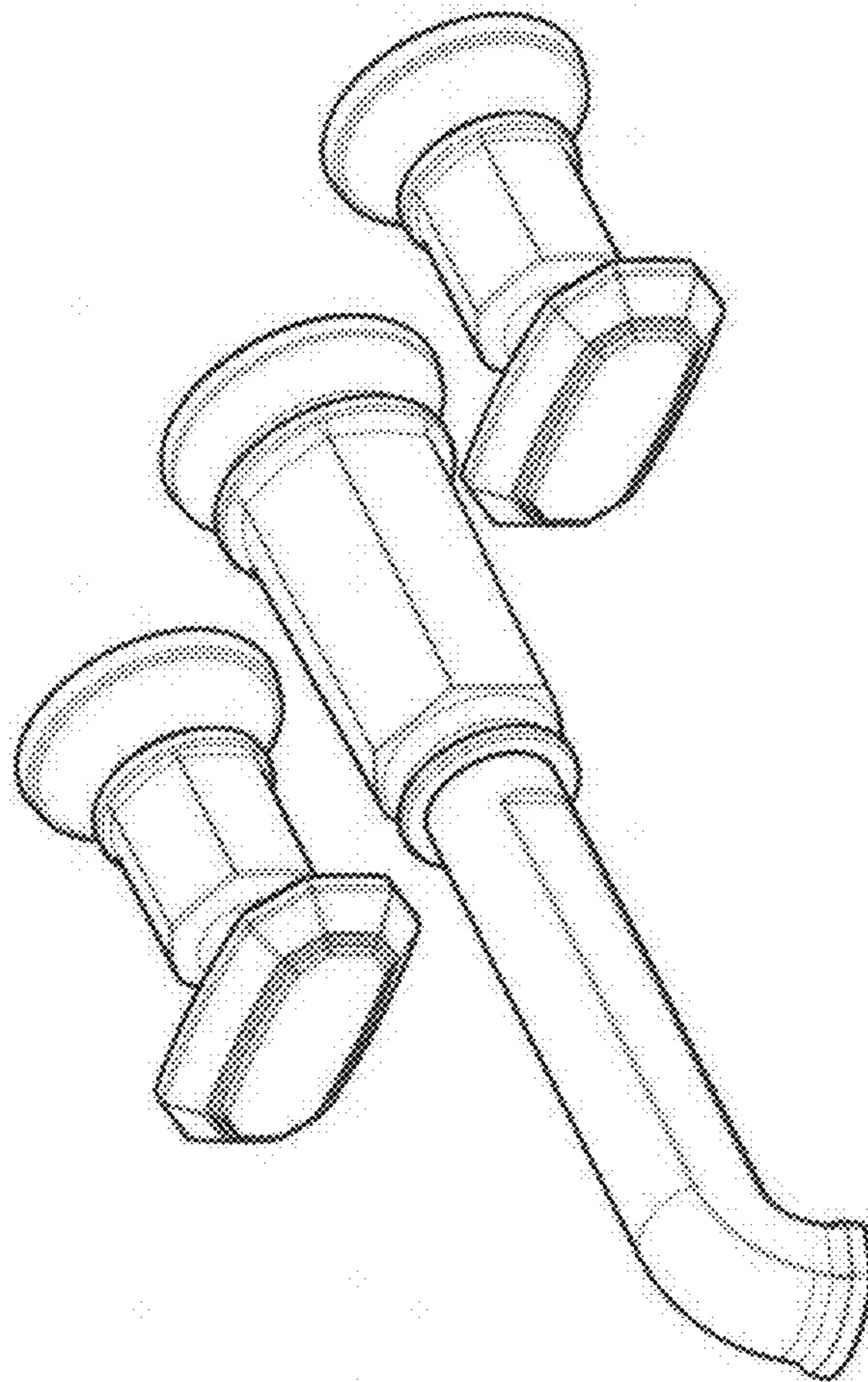


Fig. 1

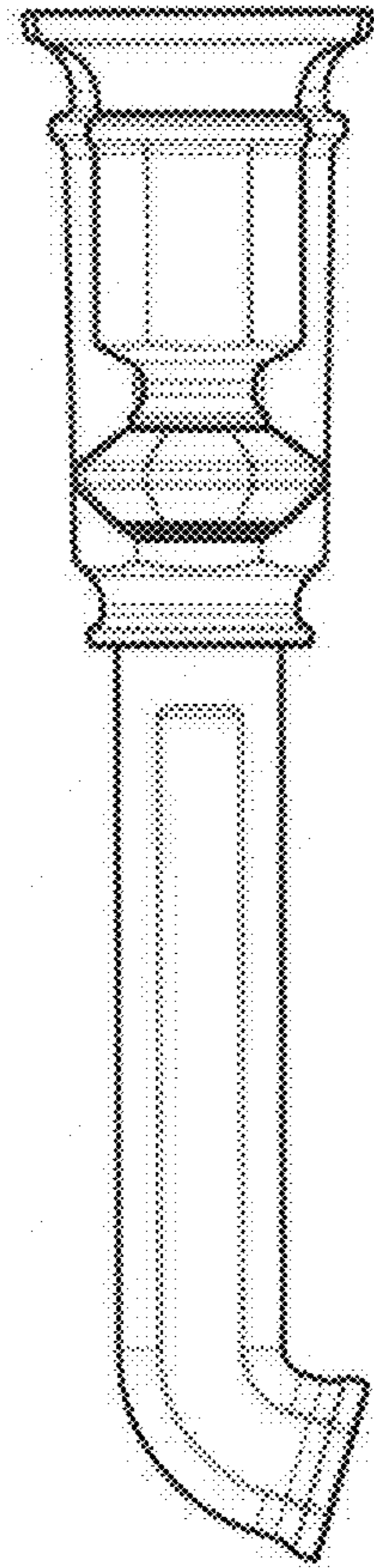


Fig. 4

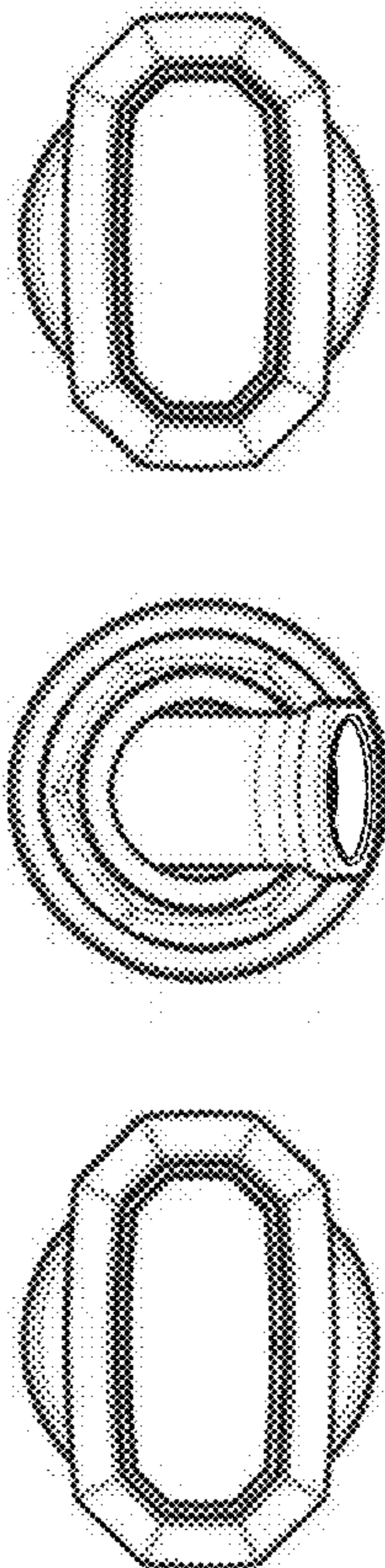


Fig. 3

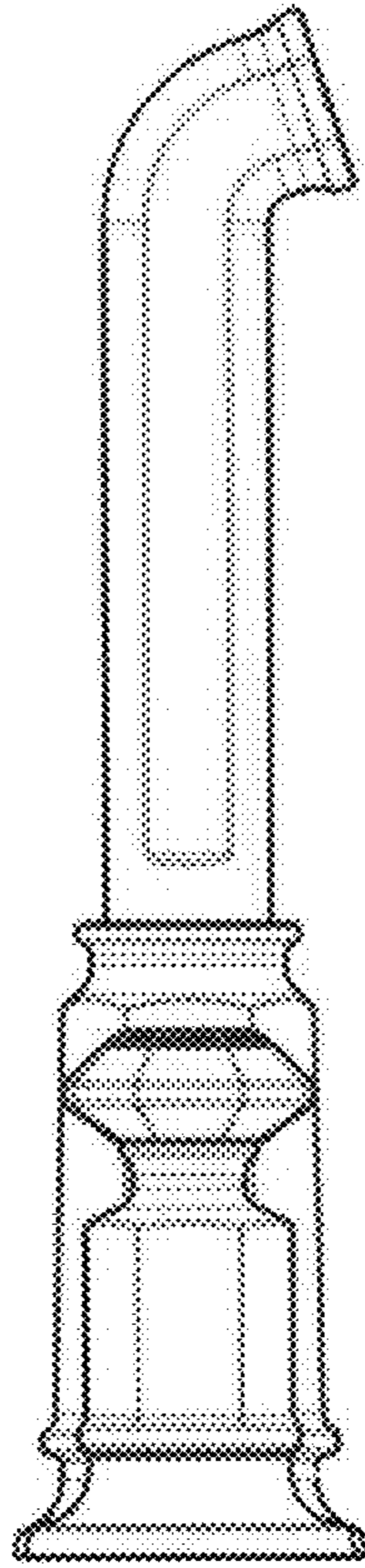


Fig. 6

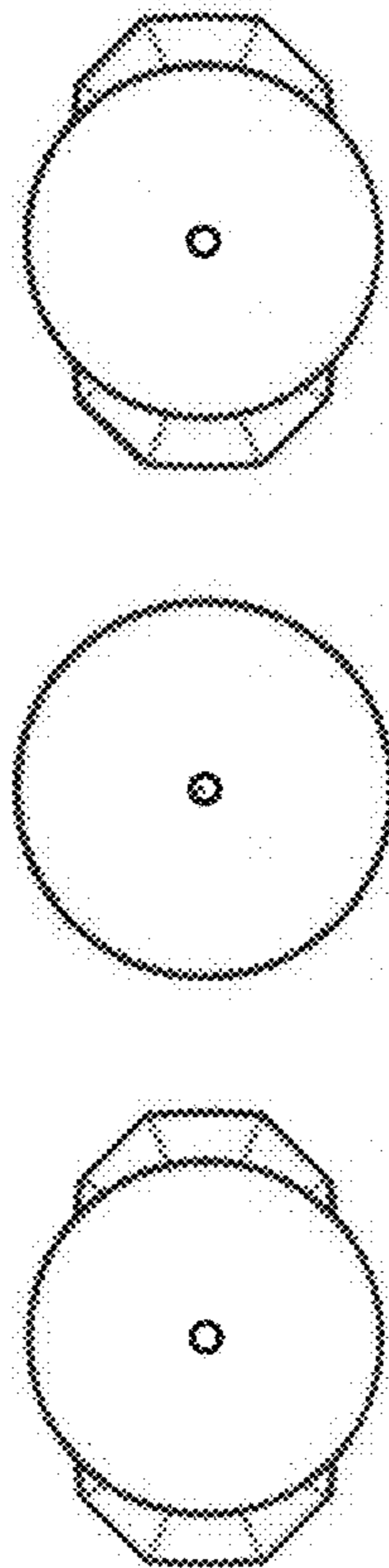


Fig. 5

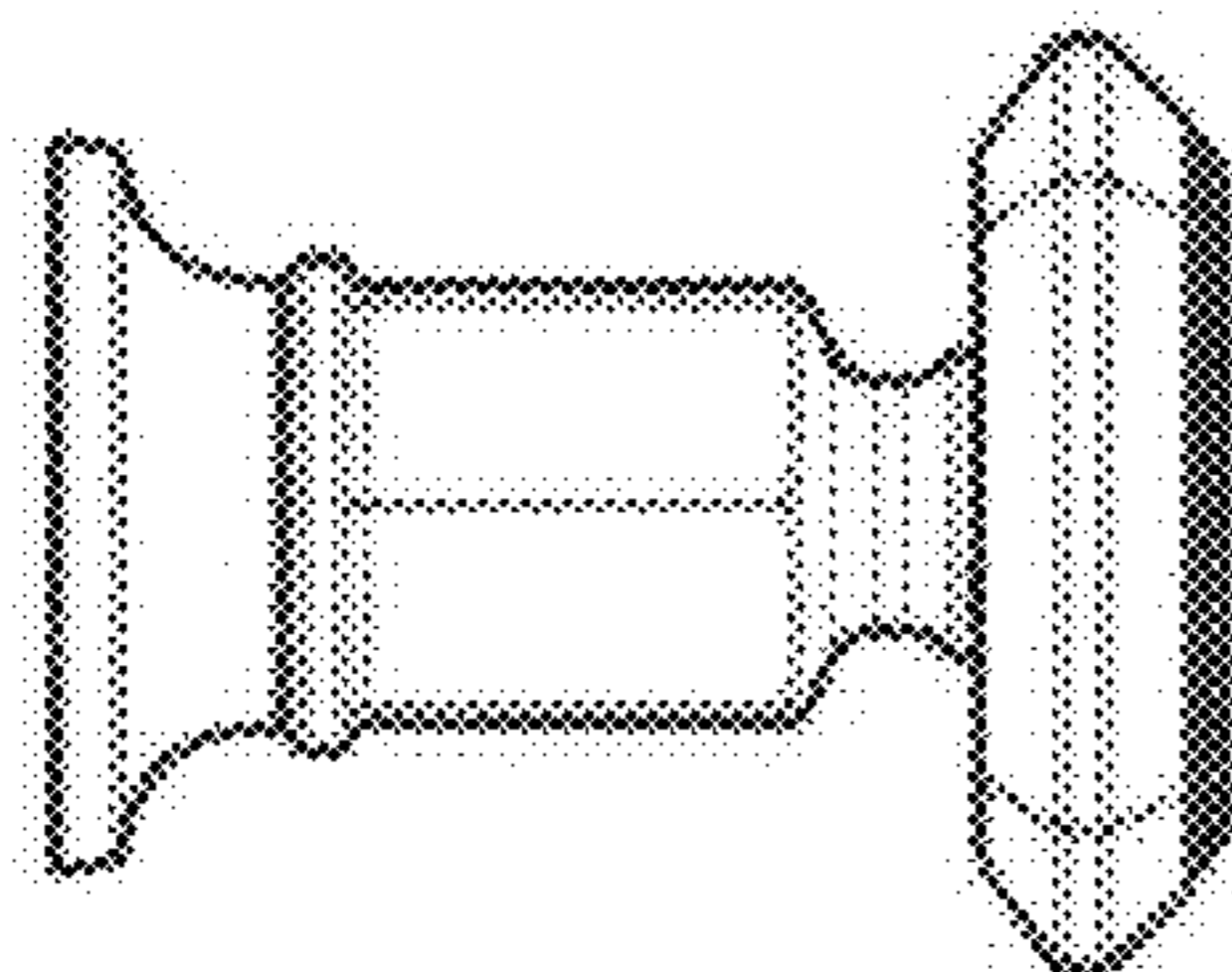
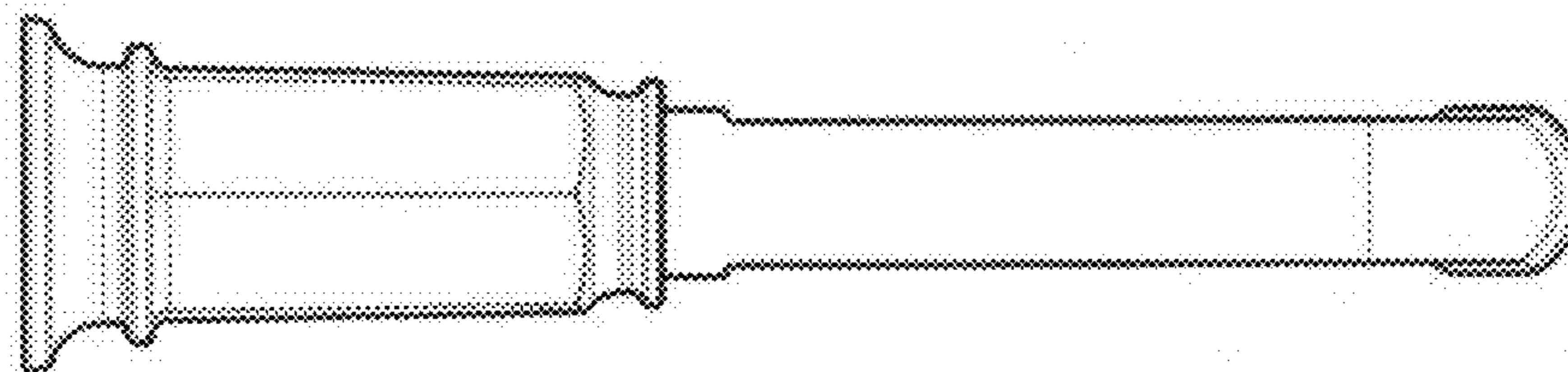
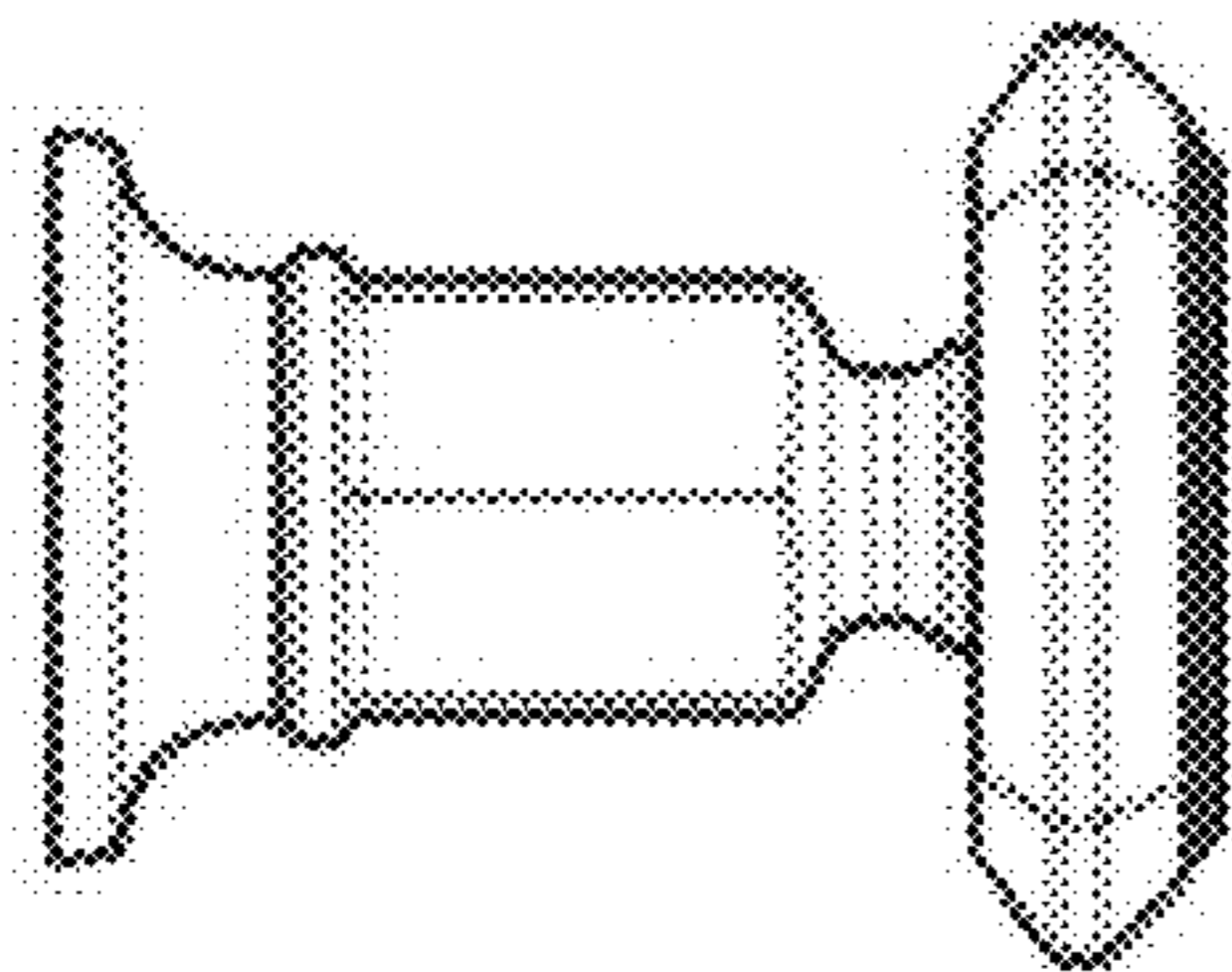
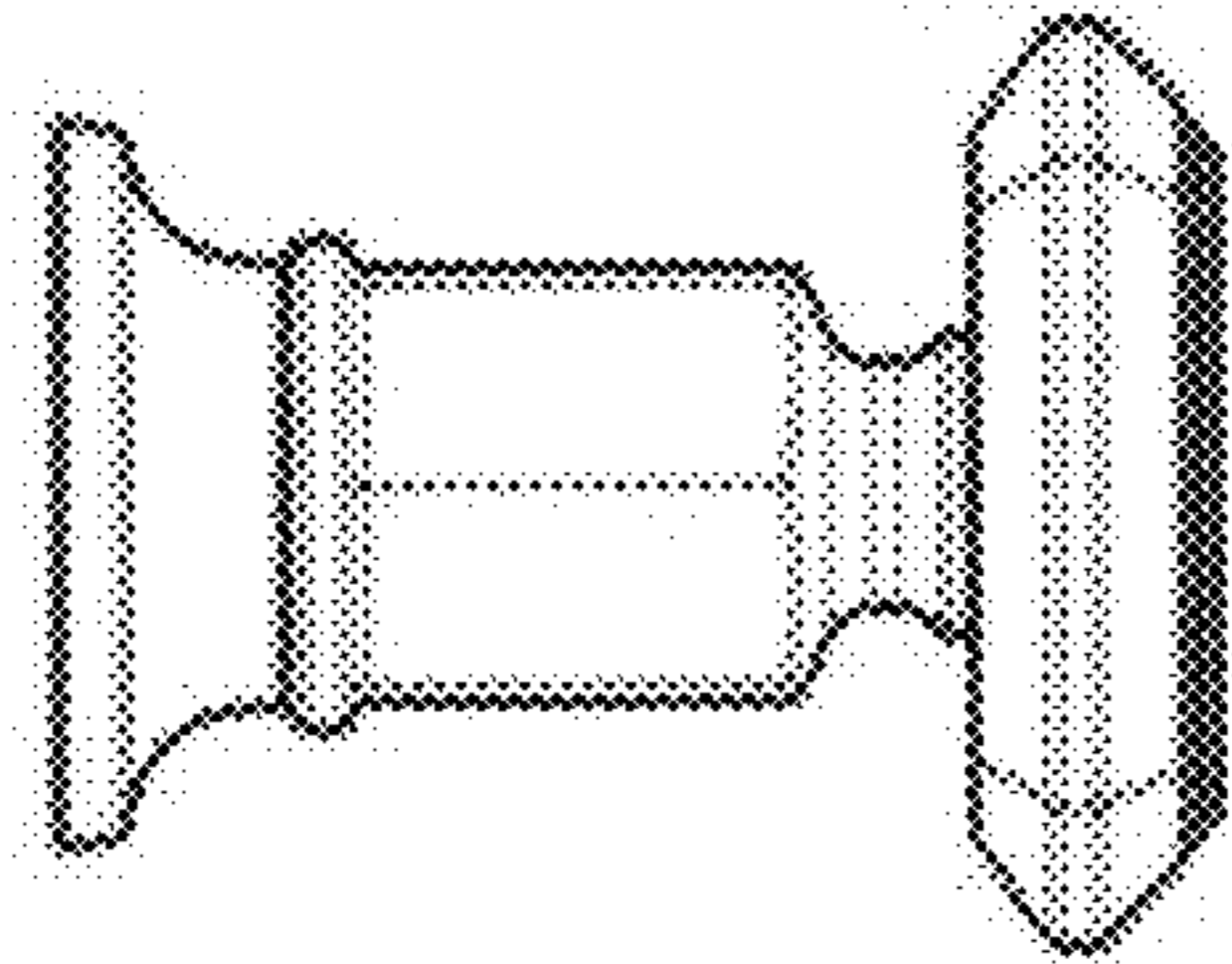
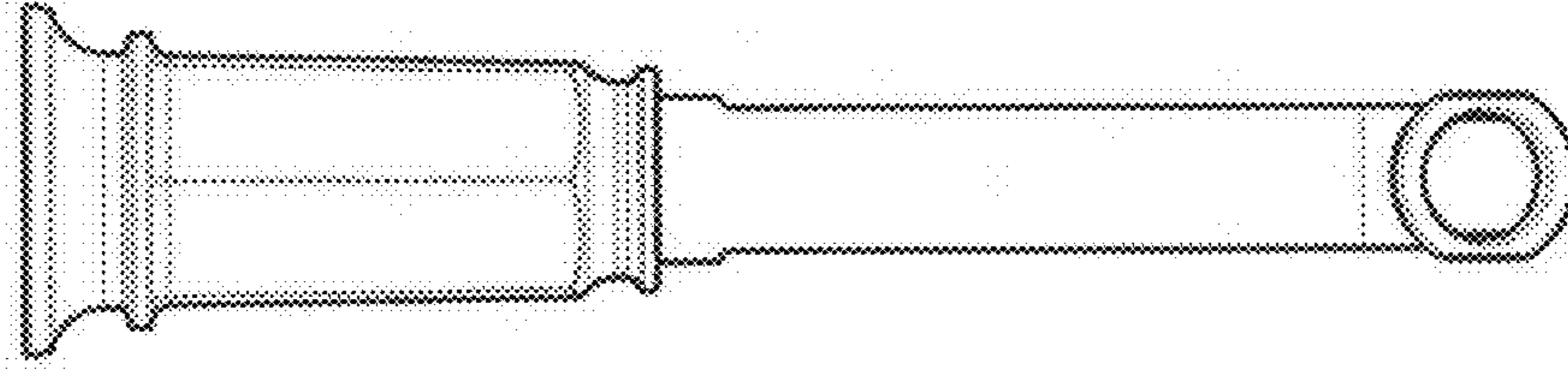
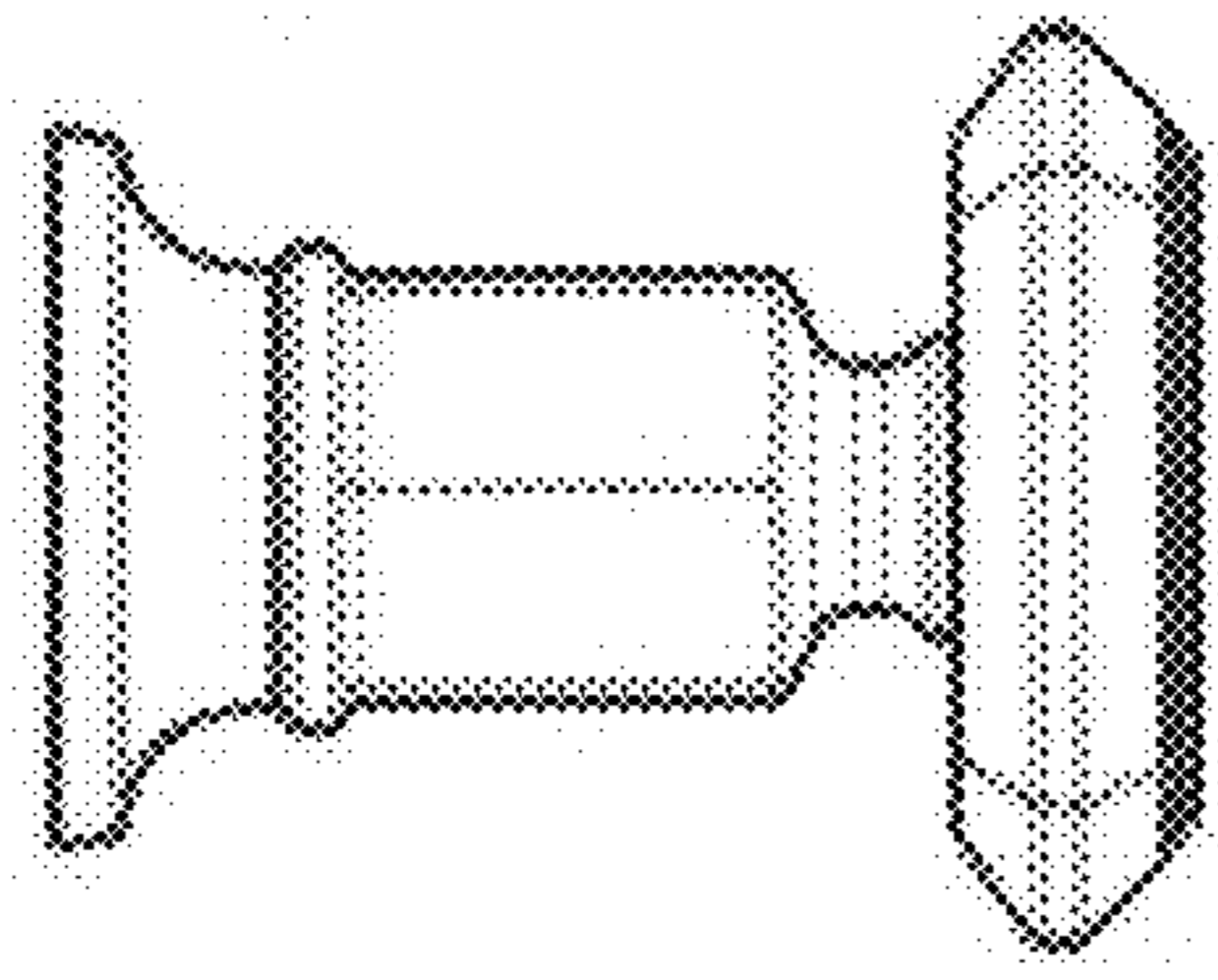


Fig. 8

Fig. 7