

US00D877860S

(12) **United States Design Patent**  
**Lucchese**

(10) **Patent No.:** **US D877,860 S**

(45) **Date of Patent:** **\*\* \*Mar. 10, 2020**

(54) **MIXING TAP**

(71) Applicant: **FIR ITALIA S.P.A.**, Milan (IT)

(72) Inventor: **Francesco Lucchese**, Brescia (IT)

(73) Assignee: **FIR ITALIA S.P.A.**, Milan (IT)

(\*) Notice: This patent is subject to a terminal disclaimer.

(\*\*) Term: **15 Years**

(21) Appl. No.: **29/666,522**

(22) Filed: **Oct. 12, 2018**

(30) **Foreign Application Priority Data**

Apr. 16, 2018 (EM) ..... 005235389-0009

(51) **LOC (12) Cl.** ..... **23-01**

(52) **U.S. Cl.**  
USPC ..... **D23/238**

(58) **Field of Classification Search**  
USPC ..... D23/238, 241–243, 255, 257, 252, 254;  
D8/307–308  
CPC ..... F16K 31/60; F16K 31/602; F16K 31/605;  
F16K 31/607; E03C 1/0412  
See application file for complete search history.

(56) **References Cited**

**U.S. PATENT DOCUMENTS**

D271,513 S \* 11/1983 Paul ..... D23/238  
D271,704 S \* 12/1983 Paul ..... D23/238

D280,437 S \* 9/1985 Rademacher ..... D23/242  
D495,780 S \* 9/2004 Aubry ..... D23/252  
D645,938 S \* 9/2011 Ando ..... D23/238  
D666,694 S \* 9/2012 Kulig ..... D23/238  
D709,594 S \* 7/2014 Yu ..... D23/238  
D726,880 S \* 4/2015 Kington ..... D23/238  
D803,356 S \* 11/2017 Lucchese ..... D23/238  
D803,357 S \* 11/2017 Lucchese ..... D23/238  
D828,500 S \* 9/2018 Schoenherr ..... D23/238  
D834,684 S \* 11/2018 Gessi ..... D23/238

\* cited by examiner

*Primary Examiner* — Robert A Delehanty

(74) *Attorney, Agent, or Firm* — Hedman & Costigan, P.C.; James V. Costigan; Kathleen A. Costigan

(57) **CLAIM**

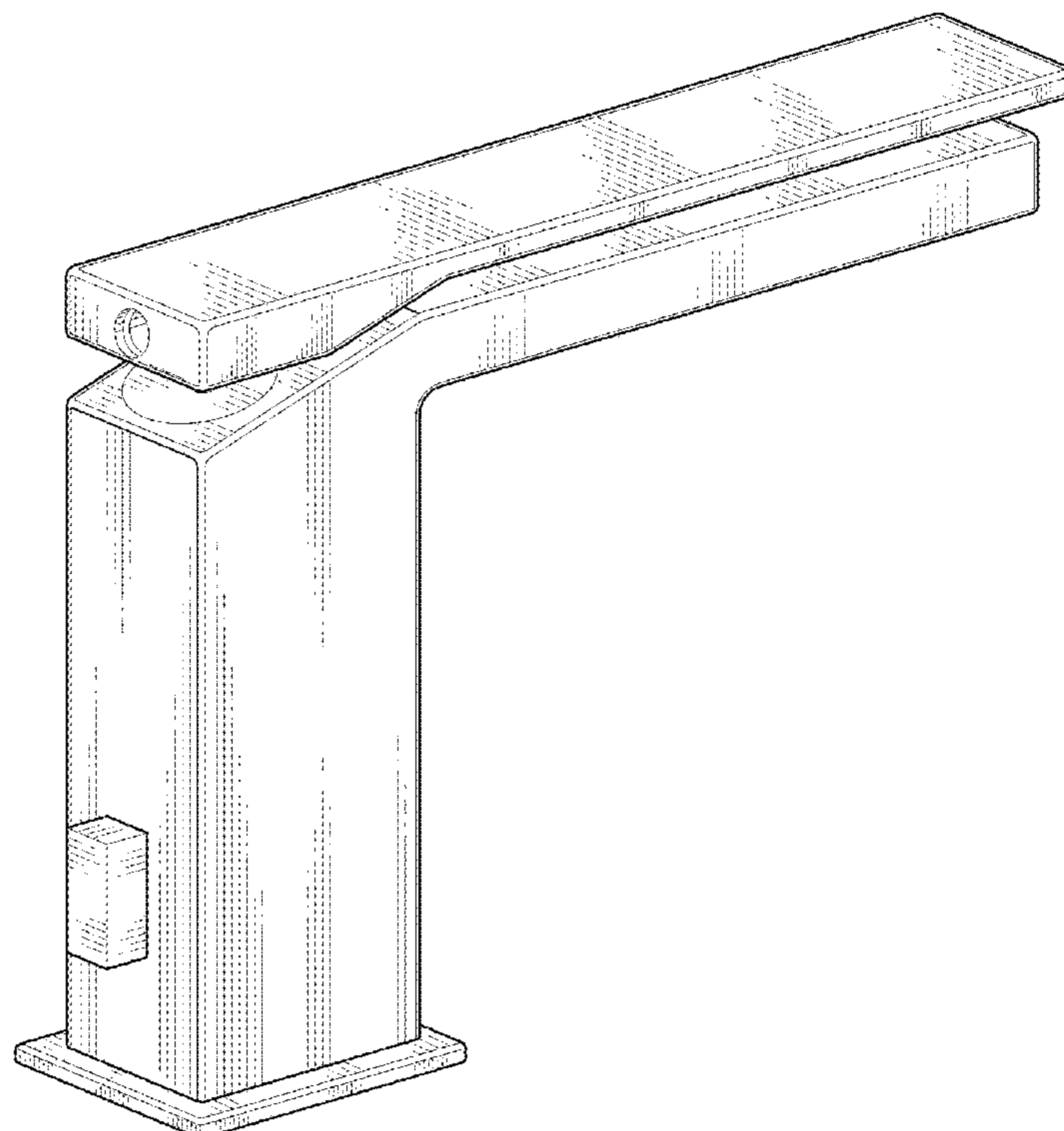
I claim the ornamental design for a mixing tap, as shown and described.

**DESCRIPTION**

FIG. 1 is a right side view of a mixing tap showing my new design, the left side being a mirror image thereof;  
FIG. 2 is a front elevation view thereof;  
FIG. 3 is a top view thereof;  
FIG. 4 is a front, right side perspective view thereof;  
FIG. 5 is a back elevation view thereof;  
FIG. 6 is a back, right side perspective view thereof; and,  
FIG. 7 is a bottom view thereof.

The portions of the mixing tap shown in broken lines form no part of the claimed design.

**1 Claim, 7 Drawing Sheets**



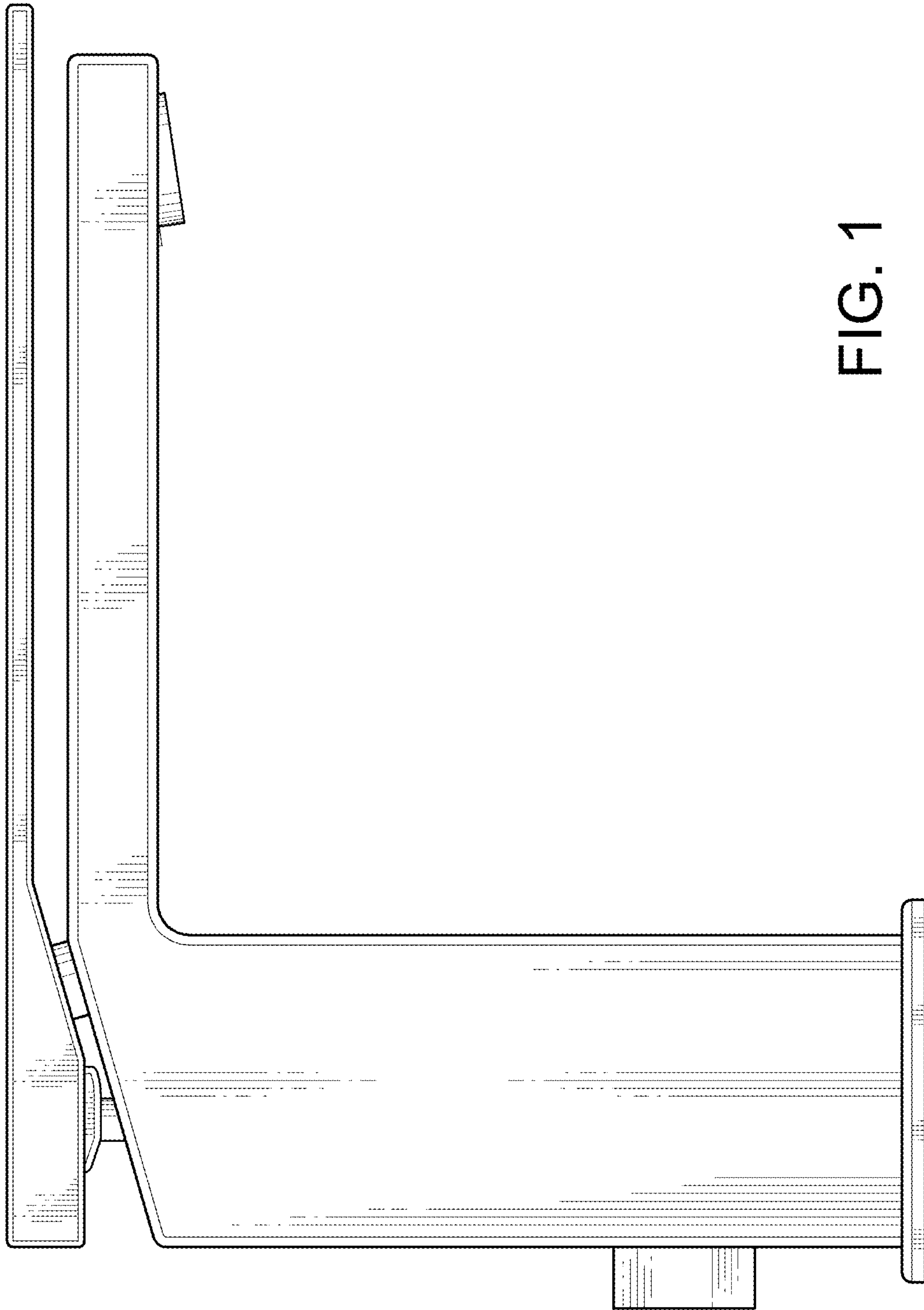


FIG. 1

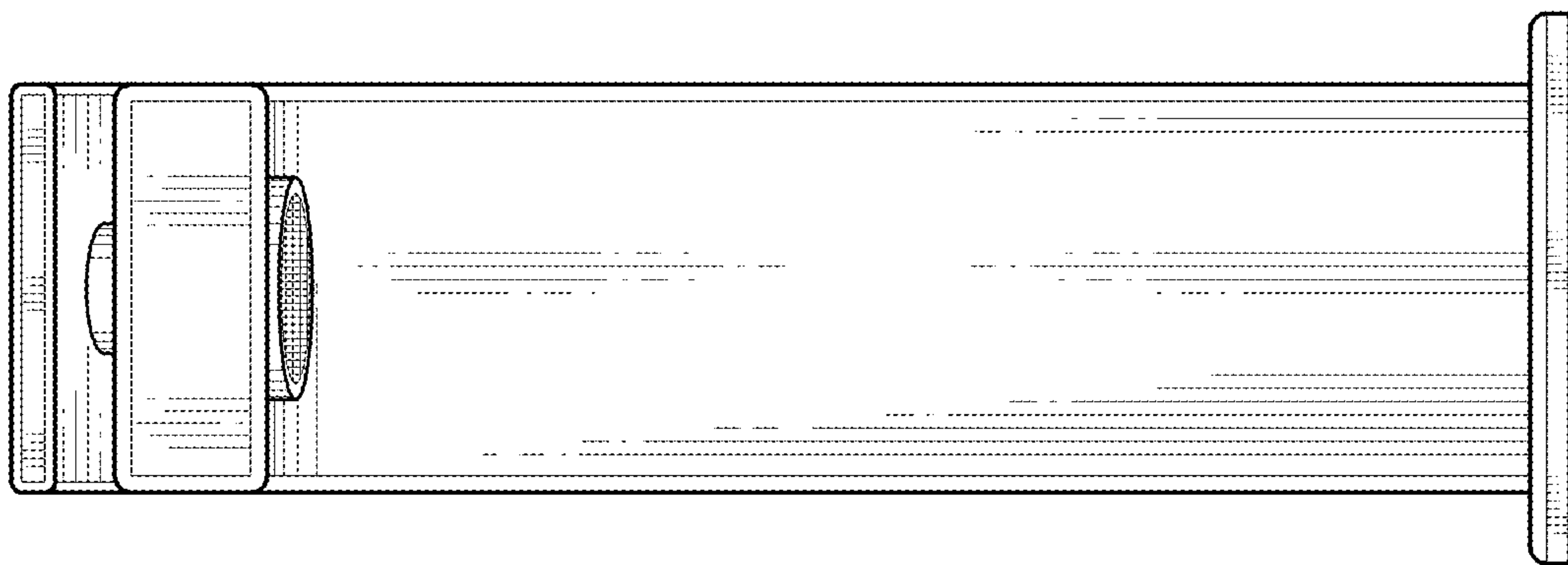


FIG. 2

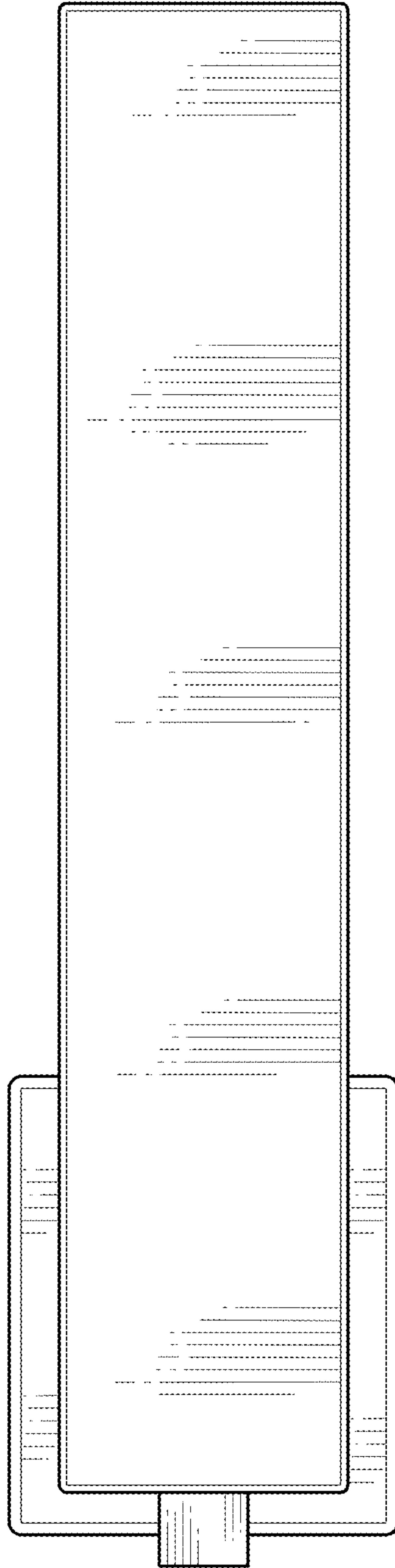


FIG. 3

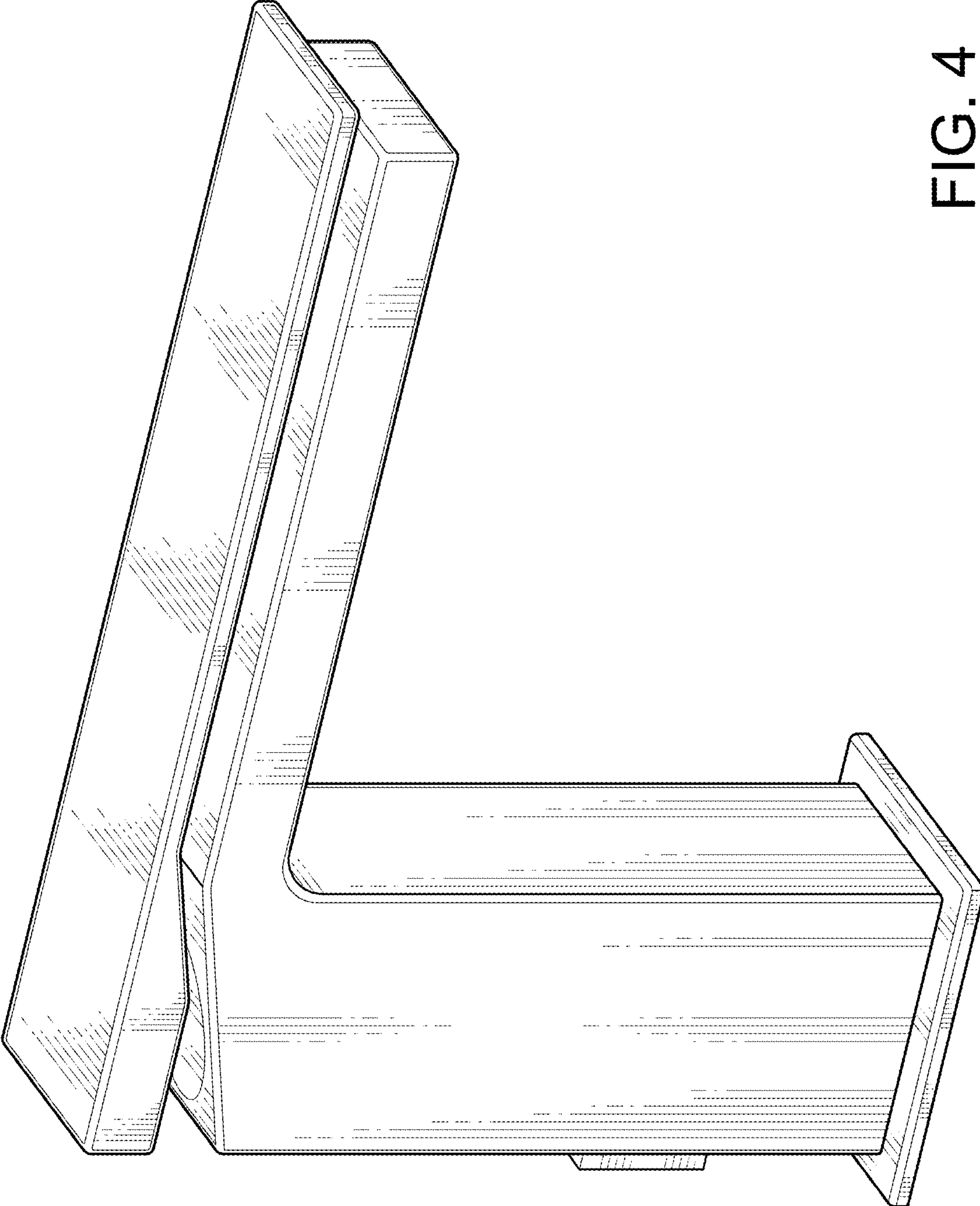


FIG. 4

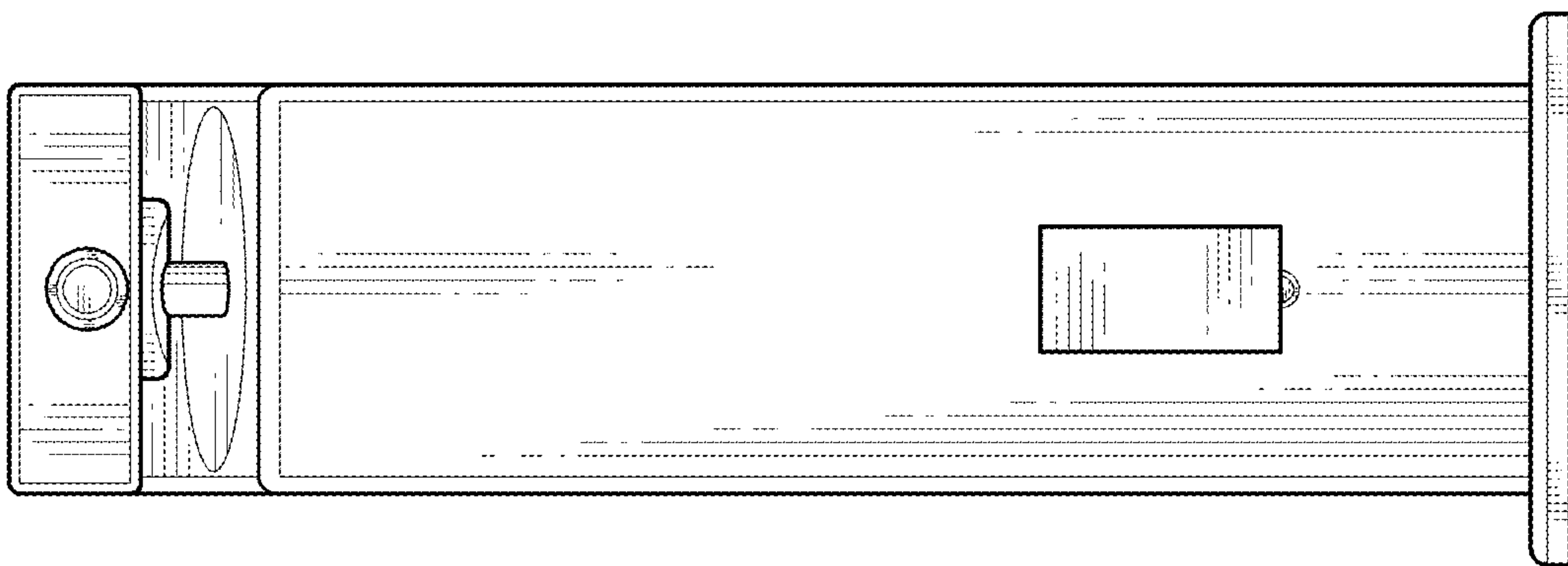


FIG. 5



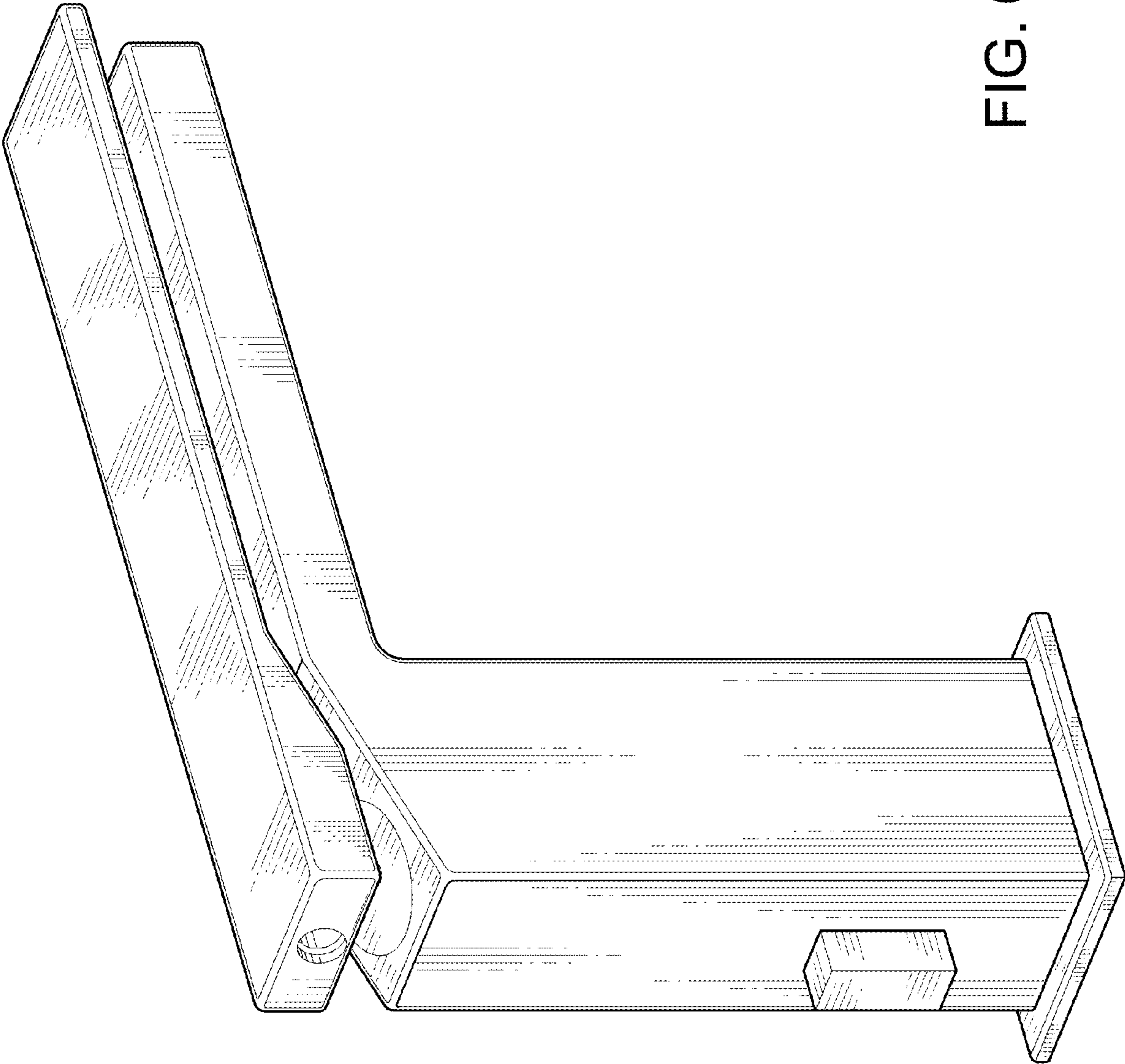


FIG. 6

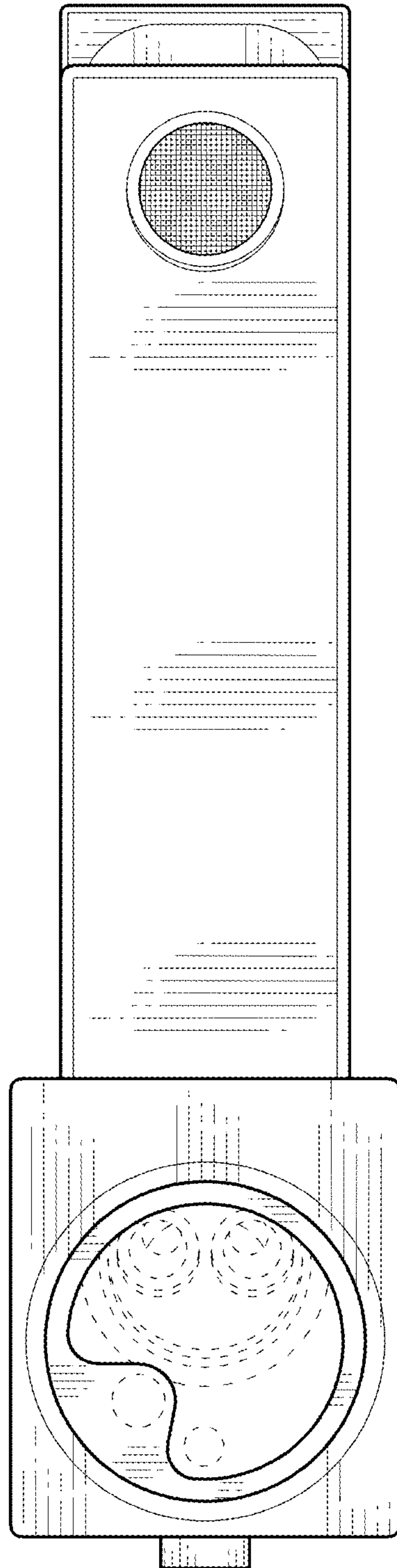


FIG. 7