



US00D877859S

(12) **United States Design Patent** (10) **Patent No.:** **US D877,859 S**
Mahalingam et al. (45) **Date of Patent:** **** Mar. 10, 2020**

- (54) **FLOW CONTROL APPARATUS**
- (71) Applicant: **Hill-Rom Services PTE. LTD.**,
Singapore (SG)
- (72) Inventors: **Pratheep Kumar Mahalingam**,
Singapore (SG); **Nookarajesh Varma Sangadi**,
Singapore (SG); **Suresha Venkataraya**,
Singapore (SG); **Cong Jiang**,
Singapore (SG); **Joel Preetham Fernandes**,
Singapore (SG); **Chau Chong Ye**,
Singapore (SG); **Siew Ying Koh**,
Singapore (SG)
- (73) Assignee: **Hill-Rom Services PTE. LTD.**,
Singapore (SG)
- (**) Term: **15 Years**
- (21) Appl. No.: **29/703,555**
- (22) Filed: **Aug. 28, 2019**

Related U.S. Application Data

- (62) Division of application No. 29/594,867, filed on Feb. 23, 2017.
- (51) **LOC (12) Cl.** **23-01**
- (52) **U.S. Cl.**
USPC **D23/233**
- (58) **Field of Classification Search**
USPC D24/129, 110–110.6; D23/233–250, 259,
D23/262, 263; 137/118.04, 498, 516.11,
137/597, 602, 533.11, 625.46, 270, 887,
137/876, 599.11, 10, 12, 15.18, 100, 14,
137/2, 505.11, 625.27, 625.4, 315.18,
137/486, 487.5, 599.05, 601.14, 554,
137/630.12, 398, 545, 547, 549, 505,
137/505.42, 116.3; 251/285, 129.15,
251/129.01, 250, 309
CPC B29C 2945/76083; B29C 2945/76545;
B29C 2045/2872; B29C 2945/76277
See application file for complete search history.

- (56) **References Cited**
- U.S. PATENT DOCUMENTS
- D273,804 S * 5/1984 Fueloep D13/102
- 4,852,608 A * 8/1989 Bennitt F04B 39/1053
137/516.13
- 4,945,946 A * 8/1990 Gangloff F04B 39/1033
137/516.11
- D330,250 S * 10/1992 Dye D24/129
- D340,941 S * 11/1993 Smith D15/29
- D340,942 S * 11/1993 Smith D15/29
- 5,617,913 A 4/1997 DeGregoria et al.
- D437,411 S * 2/2001 Maeji D24/127
- D441,089 S * 4/2001 Bhullar D10/81
- D481,946 S * 11/2003 Nicholson D24/224
- 6,939,397 B2 9/2005 Nelsen et al.
- (Continued)

Primary Examiner — Nathan M Johnston
(74) *Attorney, Agent, or Firm* — Barnes & Thornburg LLP

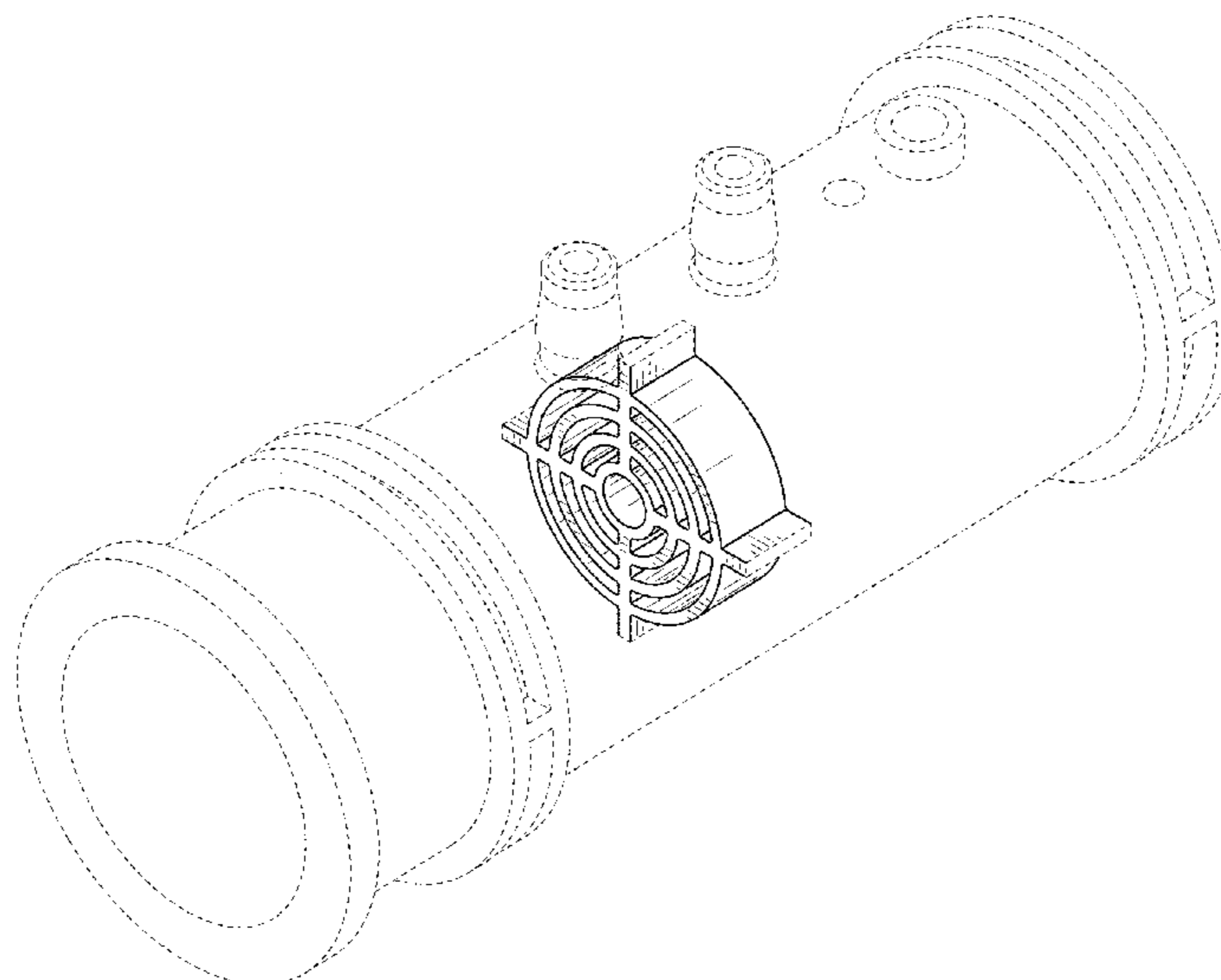
(57) **CLAIM**

The ornamental design for a flow control apparatus, as shown and described.

DESCRIPTION

FIG. 1 is a side perspective view of a flow control apparatus in accordance with our design, as viewed from a top front corner thereof;
FIG. 2 is a front elevation view thereof;
FIG. 3 is a rear elevation view thereof;
FIG. 4 is a bottom plan view thereof;
FIG. 5 is a top plan view thereof;
FIG. 6 is a side elevation view of the right side thereof; and,
FIG. 7 is a side elevation view of the left side thereof.
The broken lines shown in the figures depict environmental subject matter and form no part of the claimed design.

1 Claim, 5 Drawing Sheets



US D877,859 S

(56)

References Cited

U.S. PATENT DOCUMENTS

D516,182 S *	2/2006	Buttgen	D23/249	D684,695 S *	6/2013	Green	D24/143
D536,067 S *	1/2007	Grether	D23/249	D693,923 S *	11/2013	Hernandez	D24/129
D577,807 S *	9/2008	Kenyon	D23/379	8,695,599 B2	4/2014	Friberg et al.	
D577,816 S *	9/2008	Ungar	D24/110.1	8,985,148 B2 *	3/2015	Chang	F16K 11/076
7,469,716 B2 *	12/2008	Parrino	A61M 39/223				137/597
			137/556	D769,384 S *	10/2016	Altemus, Jr.	D21/753
D584,801 S *	1/2009	Grether	D23/249	D787,937 S *	5/2017	Messenger	D23/249
D585,968 S *	2/2009	Elkins	D23/259	9,713,438 B2	7/2017	Allum et al.	
D589,597 S *	3/2009	Bloch	D23/249	D803,414 S *	11/2017	Tate	D24/224
D591,403 S *	4/2009	Grether	D23/249	D827,765 S *	9/2018	Ward	D23/207
D604,834 S *	11/2009	Ungar	D24/110.1	D833,004 S *	11/2018	Leonard	D24/127
D615,186 S *	5/2010	Ross	D24/107	D837,397 S *	1/2019	Vellutato, Jr.	G01N 1/2273
D619,700 S *	7/2010	Kenyon	D24/110				D24/216
D620,556 S *	7/2010	Hillhouse	D23/235	D862,643 S	10/2019	Mahalingham et al.	
D629,120 S *	12/2010	Lafond	D24/224	2002/0002997 A1 *	1/2002	Steinruck	F04B 39/1033
D630,721 S *	1/2011	Kenyon	D23/379				137/516.11
D635,246 S *	3/2011	Striebig	D24/110	2010/0319796 A1 *	12/2010	Whitaker	F16K 11/085
D645,950 S *	9/2011	Kenyon	D23/379				137/625.46
D657,043 S *	4/2012	Lulla	D24/110	2011/0186142 A1 *	8/2011	Klein	F16K 43/00
							137/15.18

* cited by examiner

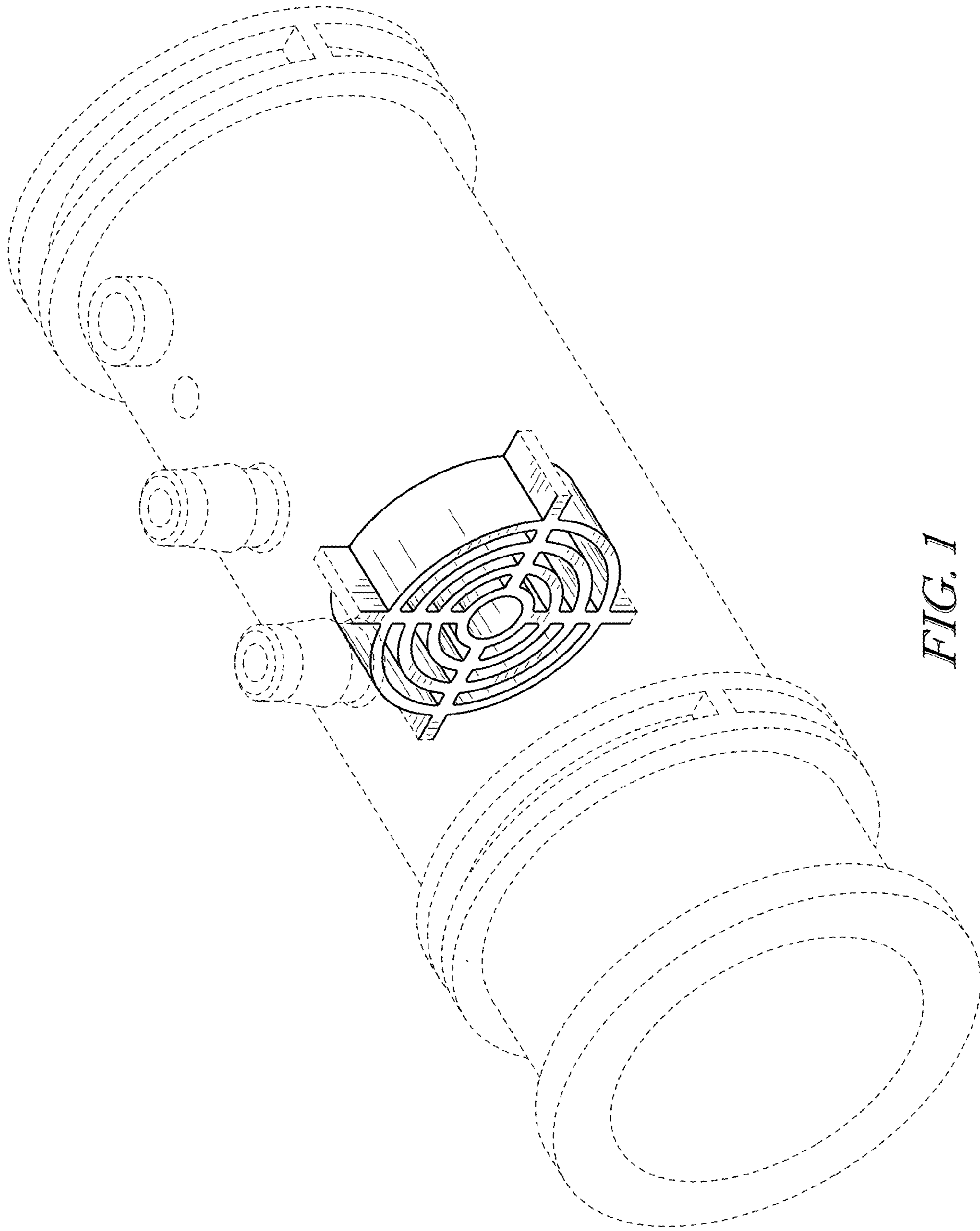


FIG. 1

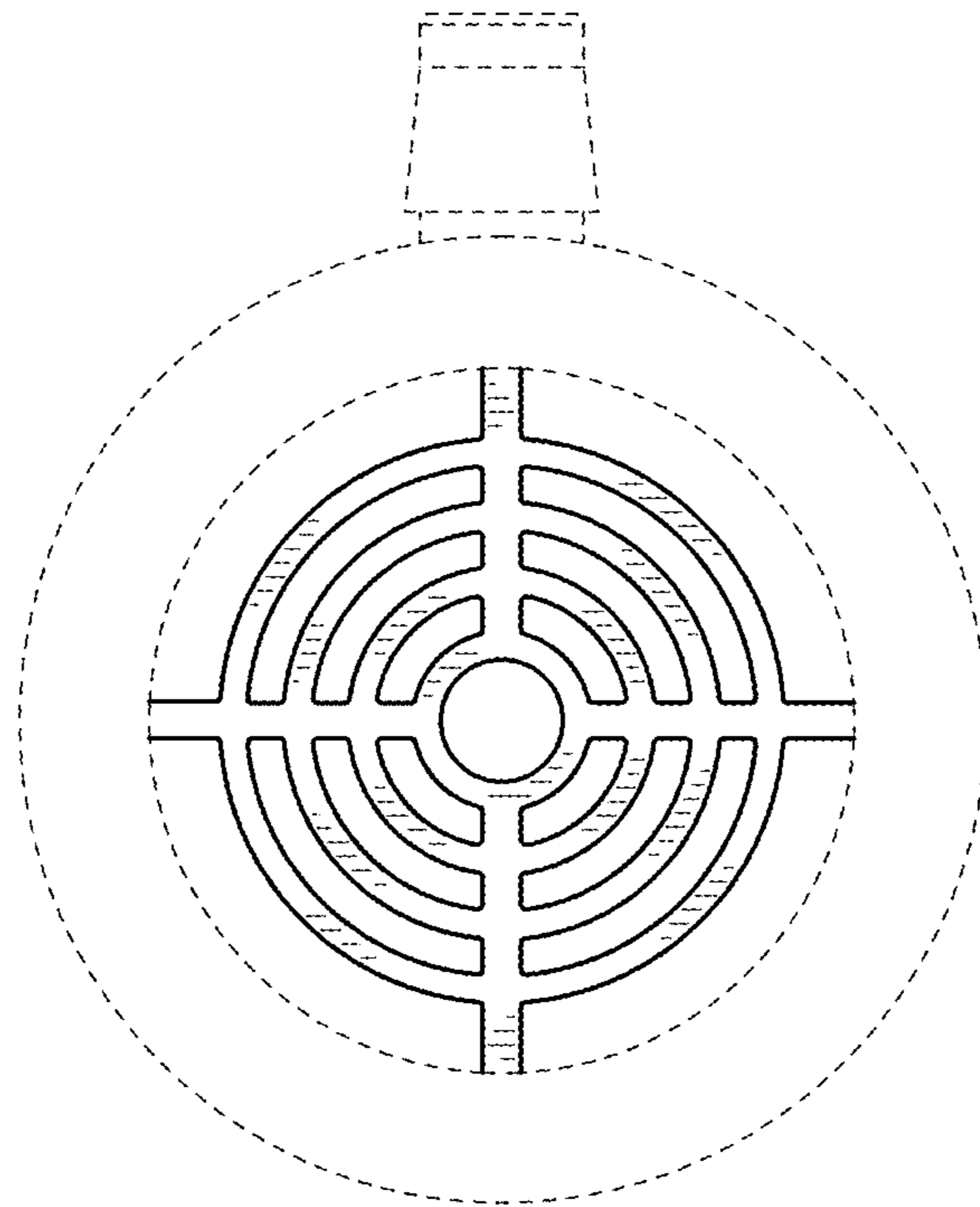


FIG. 2

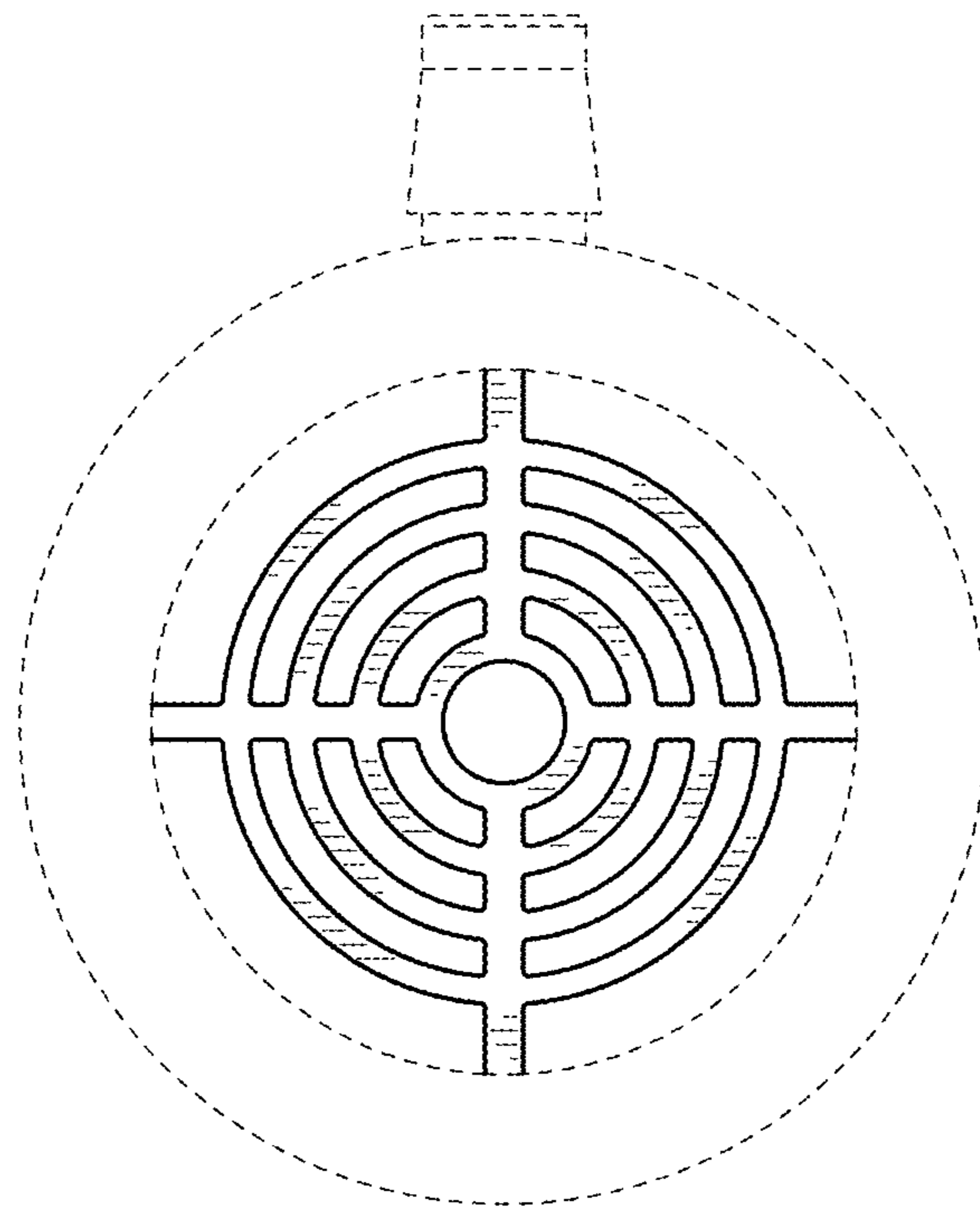


FIG. 3

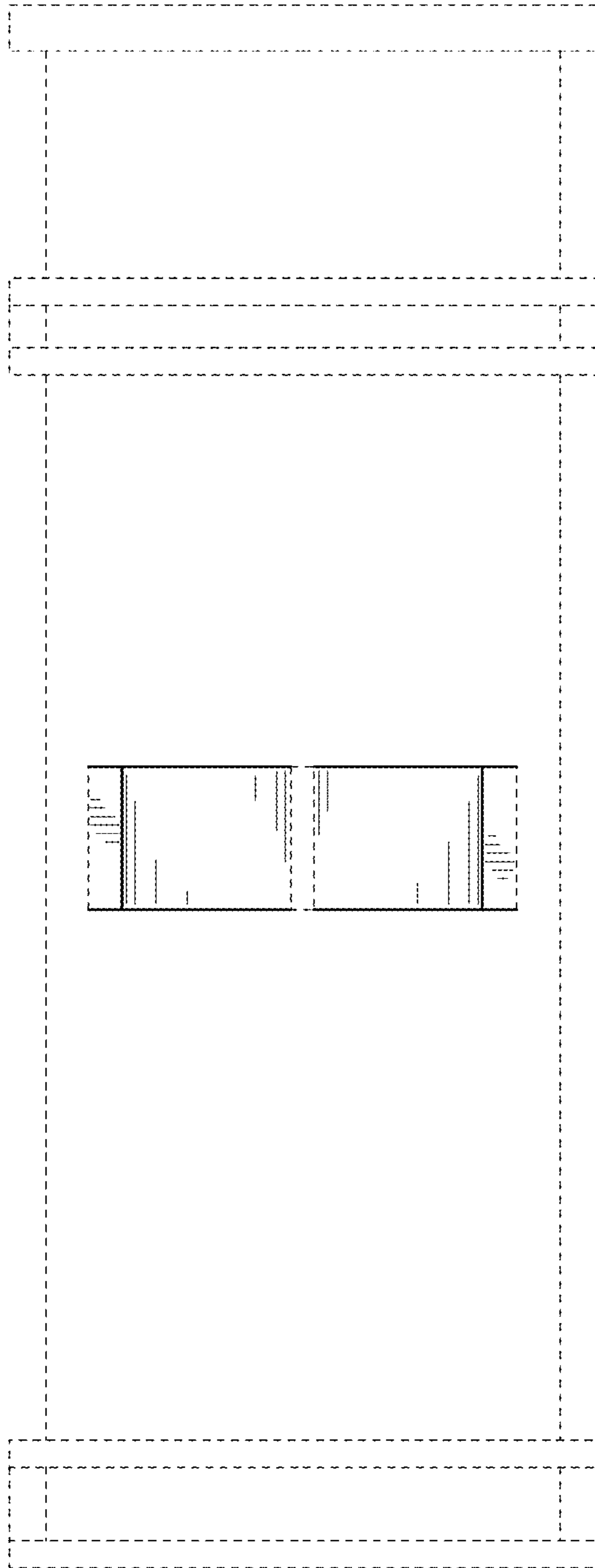


FIG. 4

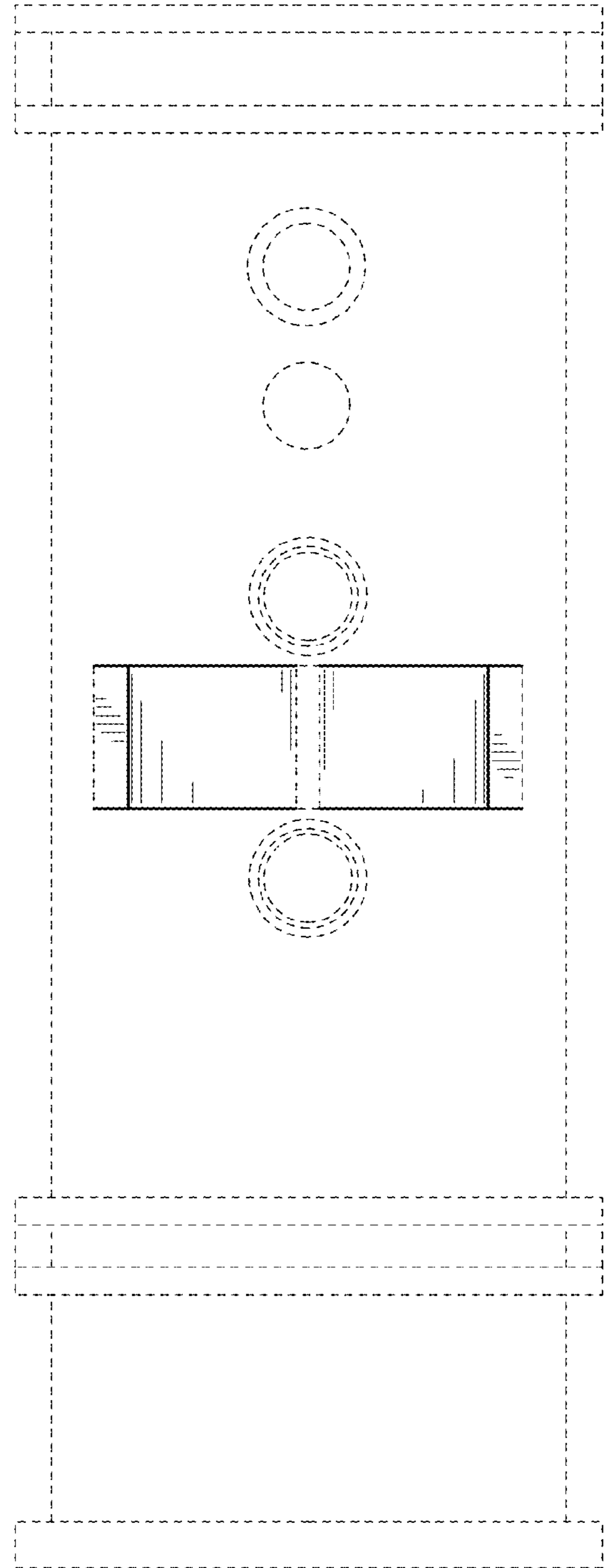


FIG. 5

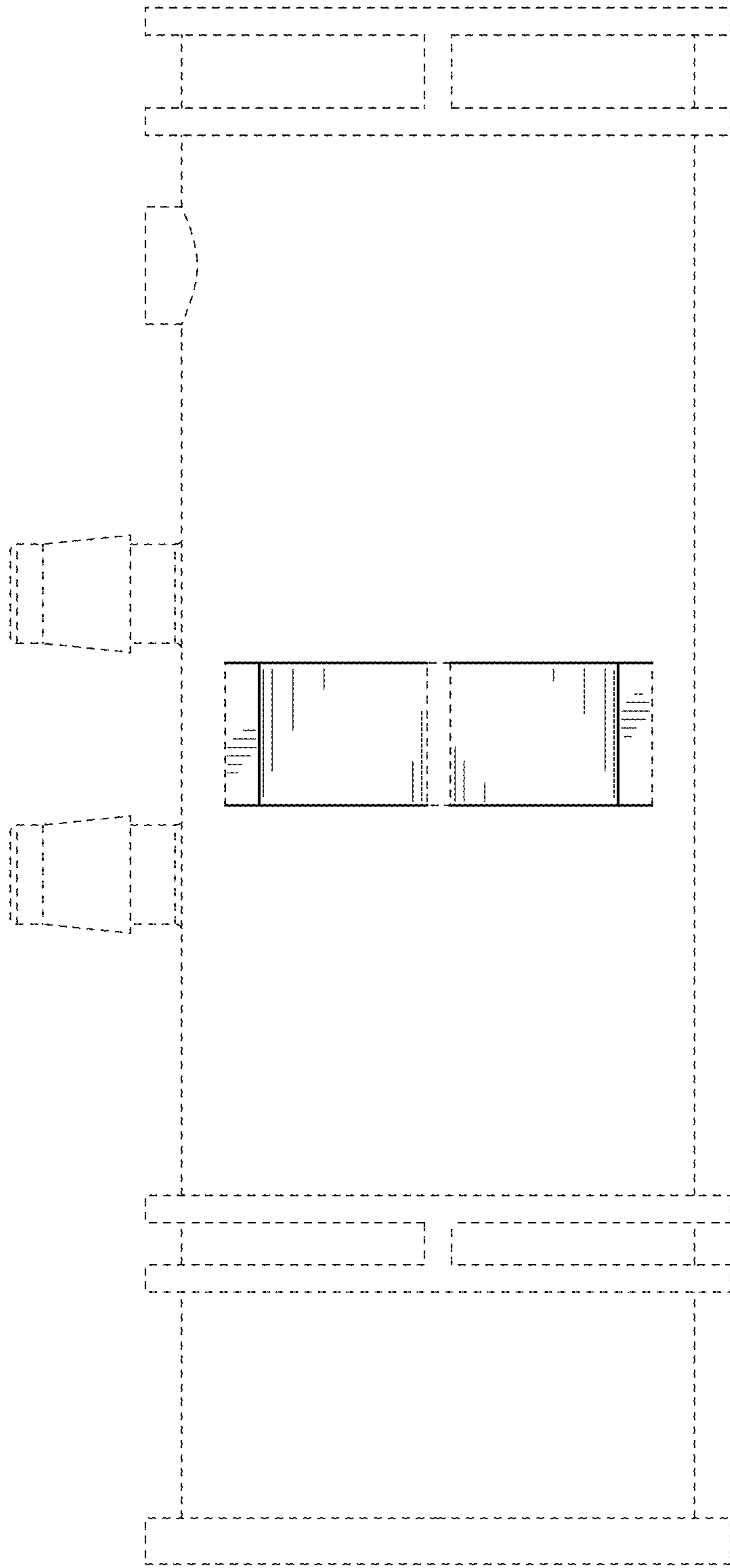


FIG. 6

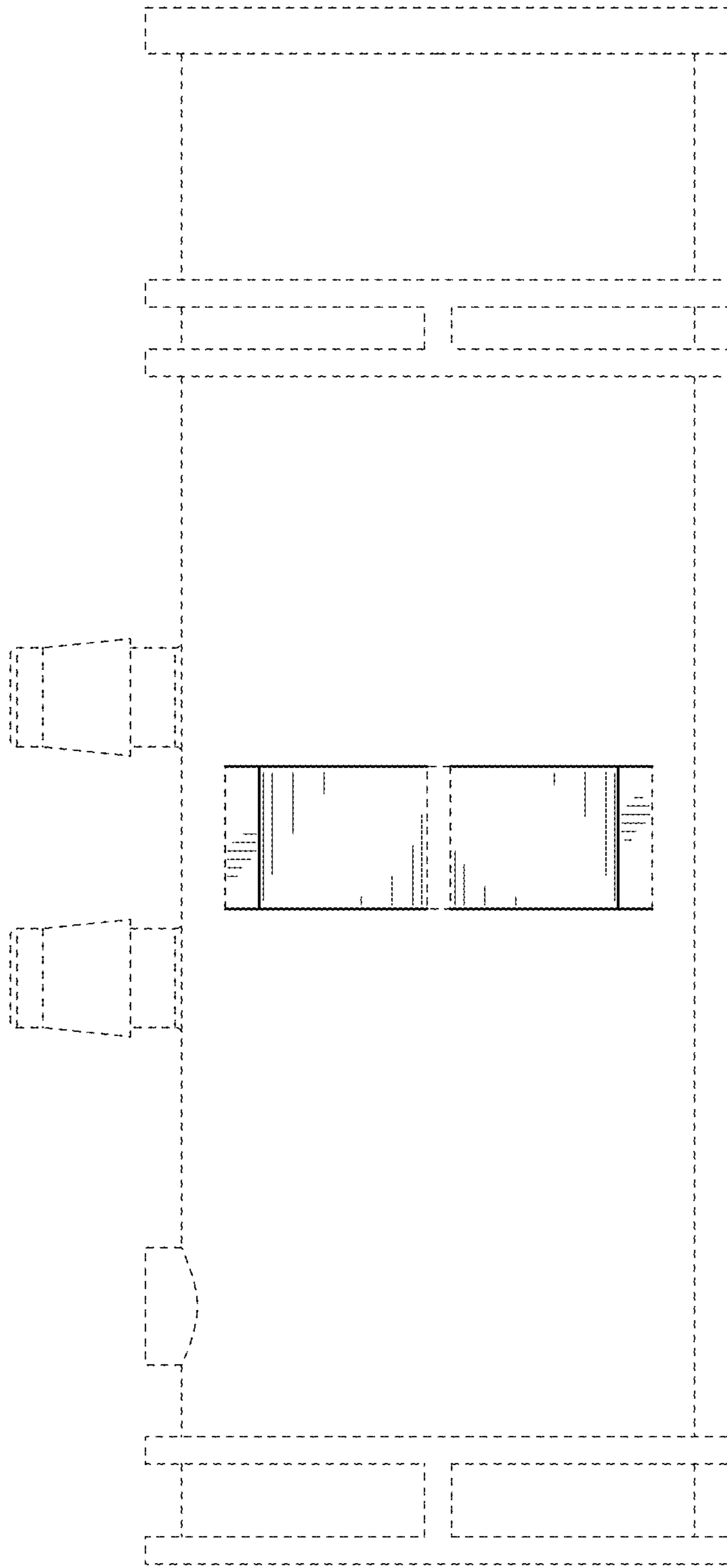


FIG. 7