



US00D877857S

(12) **United States Design Patent**
Wei

(10) **Patent No.:** **US D877,857 S**
(45) **Date of Patent:** **** Mar. 10, 2020**

(54) **WATER FILTER**
(71) Applicant: **Tianjin Tianchuang Best Pure Environmental Science and Technology Co., Ltd., Tianjin (CN)**
(72) Inventor: **Enyu Wei, Tianjin (CN)**
(**) Term: **15 Years**
(21) Appl. No.: **29/655,814**
(22) Filed: **Jul. 7, 2018**

6,951,611 B2 * 10/2005 Dannenmaier B01D 63/021
156/169
D546,412 S * 7/2007 Kennedy D23/209
D547,821 S * 7/2007 Kennedy D23/207
7,823,539 B2 * 11/2010 Keller A01K 7/00
119/74
D673,242 S * 12/2012 Rowe D23/209
D750,737 S * 3/2016 Ashley D23/209
D835,752 S * 12/2018 Spiegel D23/209
D847,301 S * 4/2019 Yoshida D23/213
2004/0040902 A1 * 3/2004 Hill B01D 36/02
210/167.11
2017/0021293 A1 * 1/2017 Meza B01D 35/26
2017/0066659 A1 * 3/2017 Sun C02F 1/002
2019/0125971 A1 * 5/2019 Bachrach A61M 5/3145

(30) **Foreign Application Priority Data**

May 11, 2018 (CN) 2018 3 0215117

(51) **LOC (12) Cl.** **23-01**

(52) **U.S. Cl.**
USPC **D23/209**

(58) **Field of Classification Search**
USPC D23/200, 207, 209, 260, 261, 262;
D7/412, 414; D8/499; D32/35; 4/287,
4/295, 689; 210/223, 321.61, 512.1
CPC B01D 35/30; B01D 35/153; B01D 35/306;
B01D 2201/30; B01D 2201/29; B01D
24/10; B01D 36/02; B01D 29/035; B01D
29/0009; C02F 1/002; C02F 1/003
See application file for complete search history.

(56) **References Cited**

U.S. PATENT DOCUMENTS

3,260,462 A * 7/1966 Smaczny A47G 21/183
239/33
D262,176 S * 12/1981 Kamin D7/300.2
4,851,134 A * 7/1989 Bennoit B04C 5/081
210/788
4,906,371 A * 3/1990 Miller B01D 63/061
210/321.61
D322,470 S * 12/1991 Garlich D23/200
D472,604 S * 4/2003 Fritze D23/209

OTHER PUBLICATIONS

Bestpure outdoor portable water filter for camping & hiking [Jul. 27, 2019] found online [Jul. 27, 2019]—<http://www.waterfiltersfactory.com/products/Outdoor-Water-Purifier/Portable-Filter/portable-drinking-water-filter.html>.*

* cited by examiner

Primary Examiner — Lakiya G Rogers

Assistant Examiner — John A Voytek

(57) **CLAIM**

The ornamental design for a water filter, as shown and described.

DESCRIPTION

FIG. 1 is a perspective view of a water filter according the present invention;

FIG. 2 is a front view thereof;

FIG. 3 is a rear view thereof;

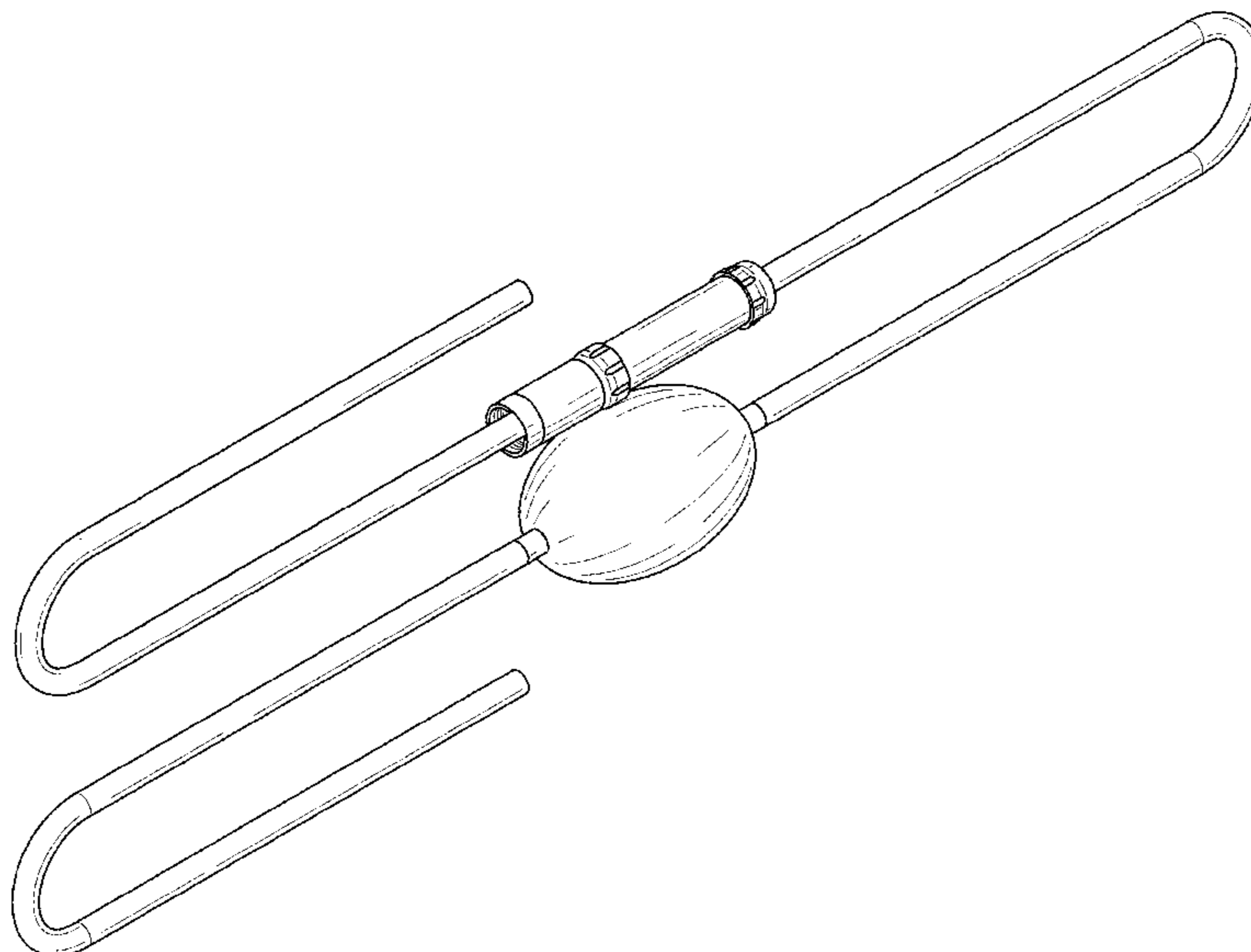
FIG. 4 is a left view thereof;

FIG. 5 is a right view thereof;

FIG. 6 is a top view thereof; and,

FIG. 7 is a bottom view thereof.

1 Claim, 4 Drawing Sheets



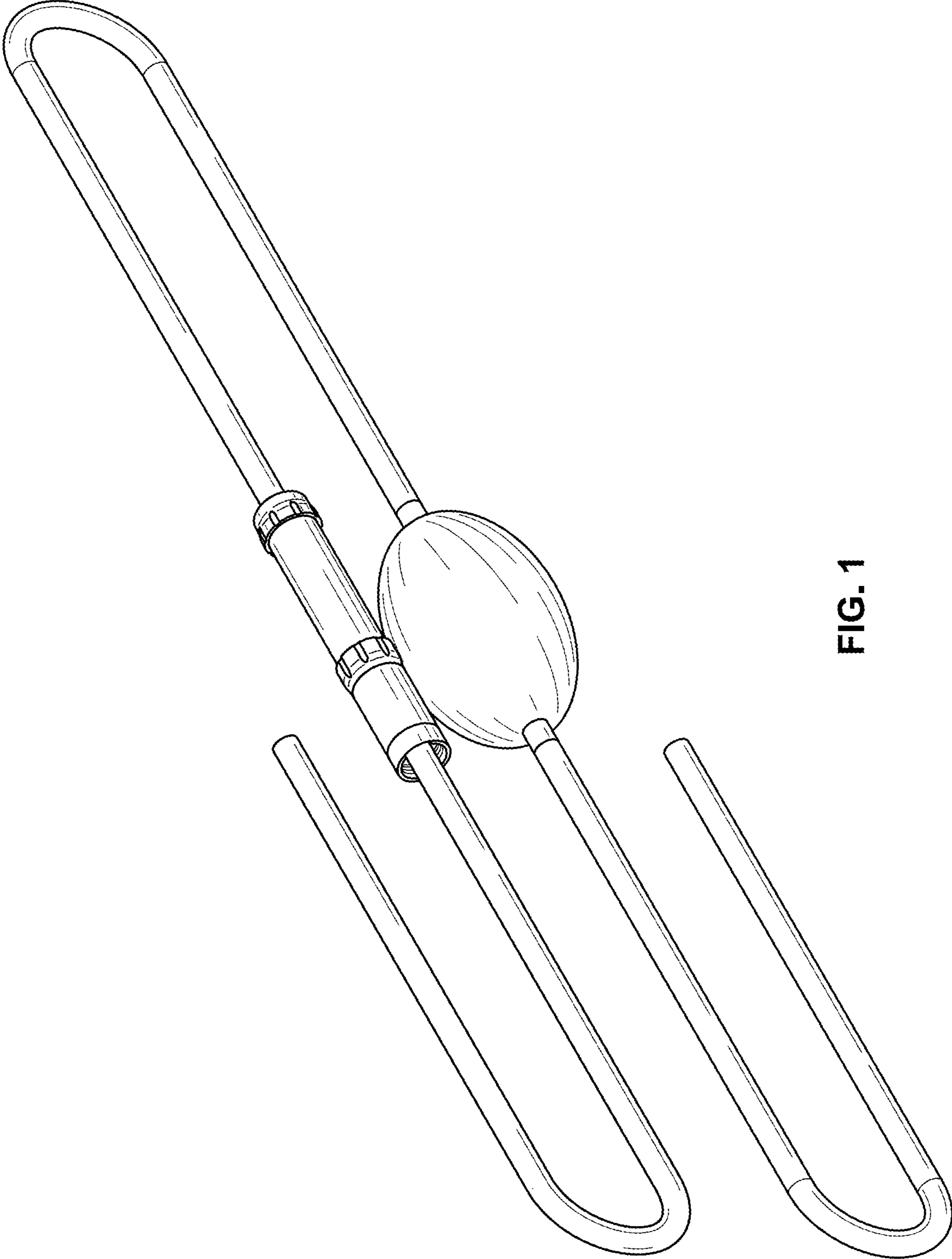


FIG. 1

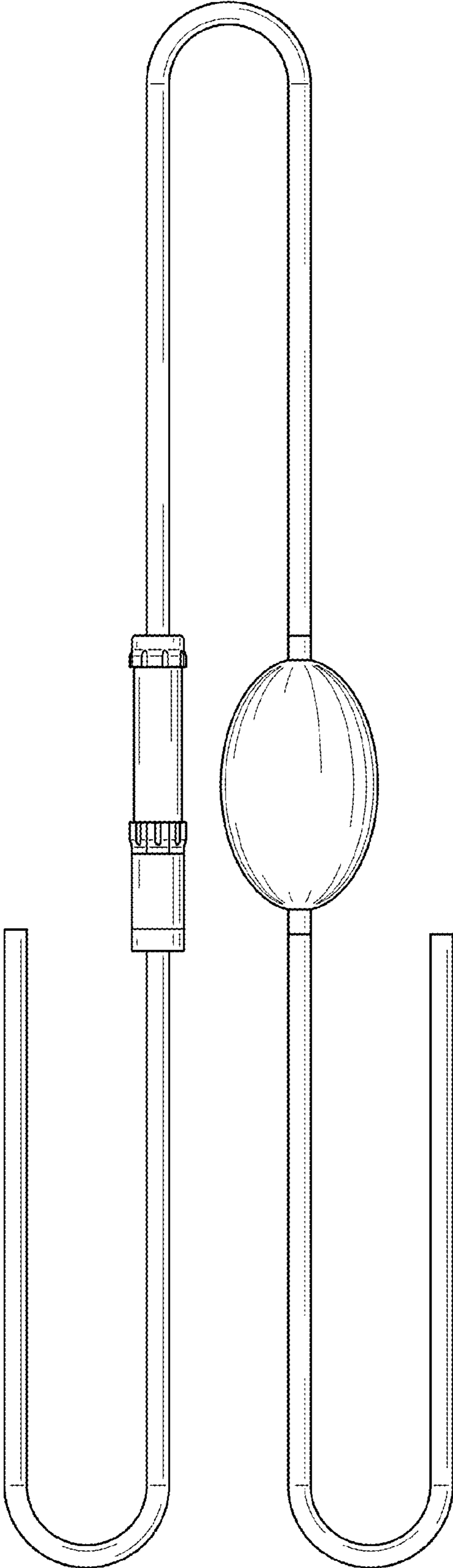


FIG. 2

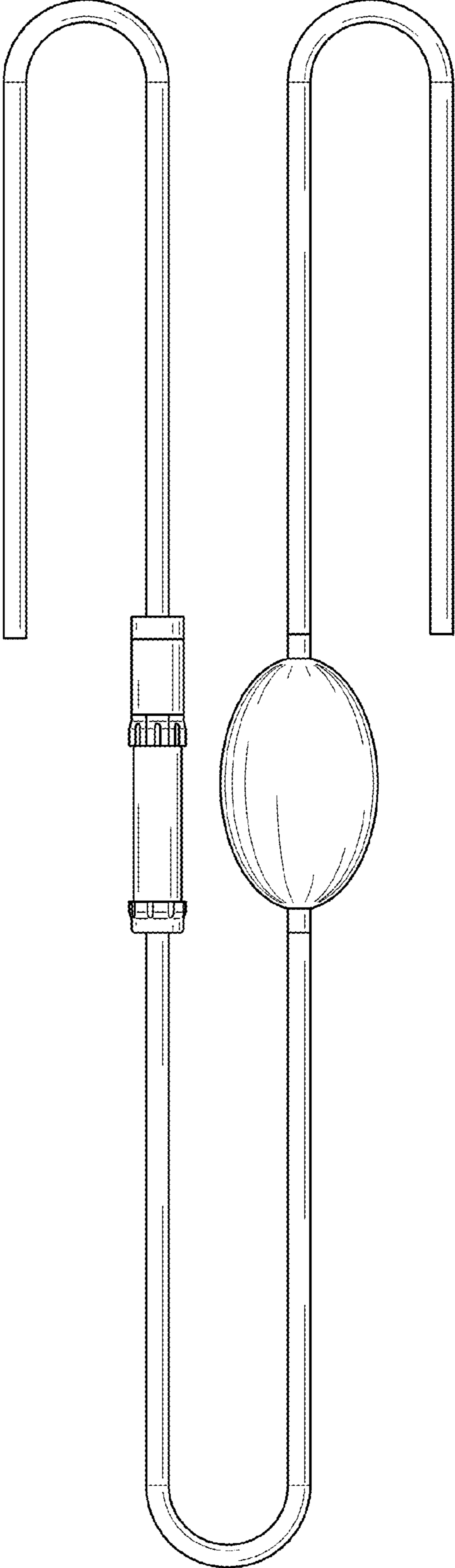


FIG. 3

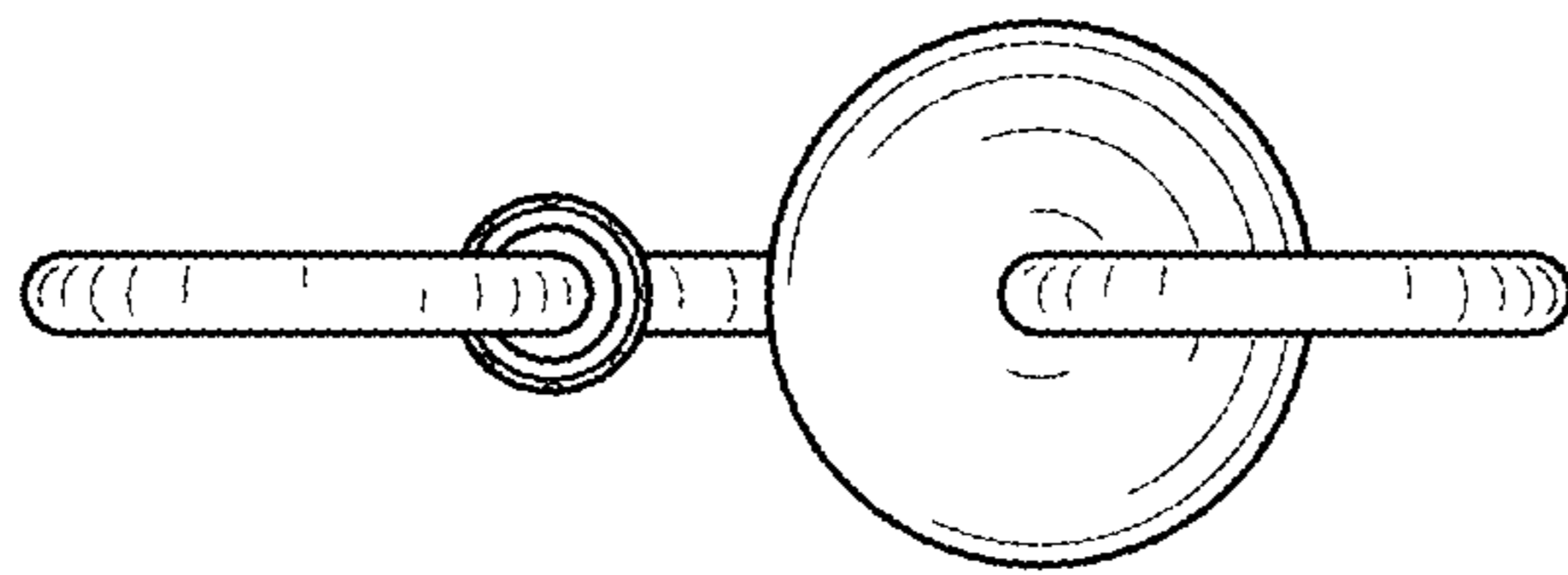


FIG. 5

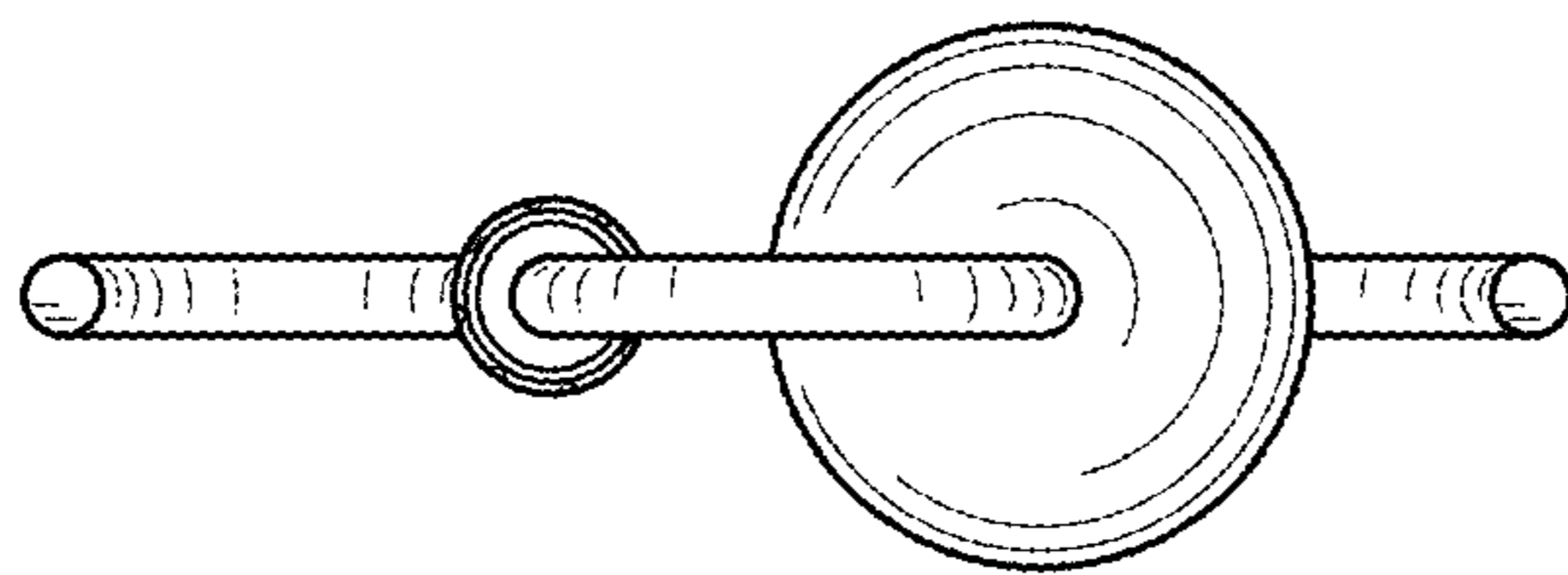


FIG. 4

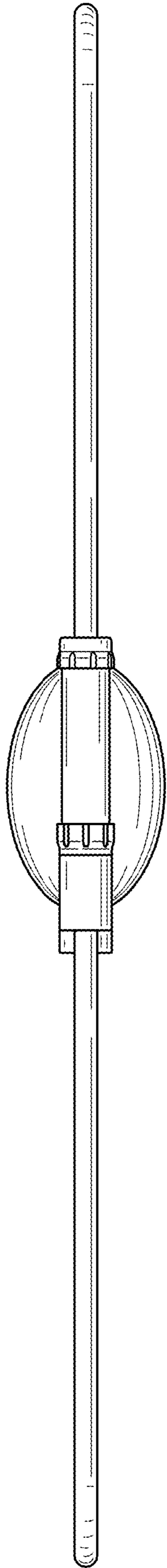


FIG. 6

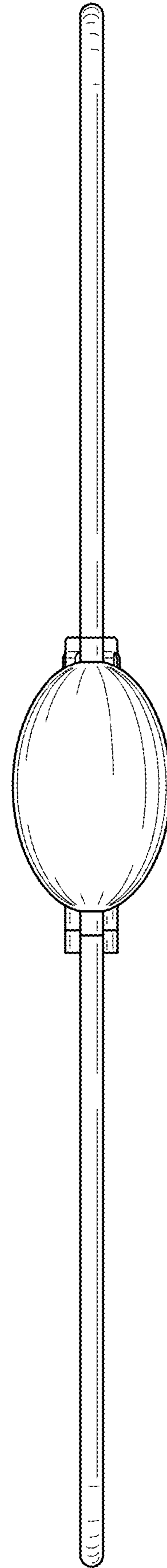


FIG. 7