



US00D877856S

(12) **United States Design Patent** (10) **Patent No.:** **US D877,856 S**
Maibach, Jr. (45) **Date of Patent:** **** Mar. 10, 2020**

(54) **SHORT PATH DISTILLATION HEAD**
(71) Applicant: **Lab Society LLC**, Longmont, CO (US)
(72) Inventor: **Michael S. Maibach, Jr.**, Longmont, CO (US)

(**) Term: **15 Years**
(21) Appl. No.: **29/595,939**

(22) Filed: **Mar. 3, 2017**
(51) **LOC (12) Cl.** **23-01**
(52) **U.S. Cl.**
USPC **D23/207**
(58) **Field of Classification Search**
USPC D23/207, 209, 213, 223, 233, 235, 237,
D23/241, 242, 244, 245-249, 259, 262,
D23/263, 266, 268; 202/83, 255, 257,
202/270; D24/216, 231, 232
CPC . B01D 3/04; B01D 3/06; B01D 3/065; B01D
3/08; F16L 47/32; F16L 41/021
See application file for complete search history.

(56) **References Cited**
U.S. PATENT DOCUMENTS

D453,953 S * 2/2002 Pearl D23/213
9,138,657 B1 * 9/2015 Wiederin B01D 3/008
9,371,947 B2 * 6/2016 Choi F16L 19/065
D775,310 S * 12/2016 Kremerman D23/207
D776,238 S 1/2017 Kremerman
9,682,331 B2 * 6/2017 Kremerman B01D 3/10
D802,084 S * 11/2017 Kremerman D23/207
D802,085 S * 11/2017 Kremerman D23/207
D805,599 S * 12/2017 Kremerman D23/207
9,895,626 B2 * 2/2018 Kremerman B01D 3/26

D816,195 S * 4/2018 Li D23/266
D819,779 S * 6/2018 Kremerman D23/207
2008/0276998 A1 * 11/2008 Boyher E03C 1/023
137/561 A

OTHER PUBLICATIONS

The Original Short Path Distillation Head, posted at labsociety.com, no posting date available, online, URL:https://labsociety.com/lab-equipment/short-path-distillation-head/ (Year: 2018).*

* cited by examiner

Primary Examiner — Anhdao Doan
Assistant Examiner — Mary Shannon Malley
(74) *Attorney, Agent, or Firm* — Greenspoon Marder LLP; Justin McNaughton

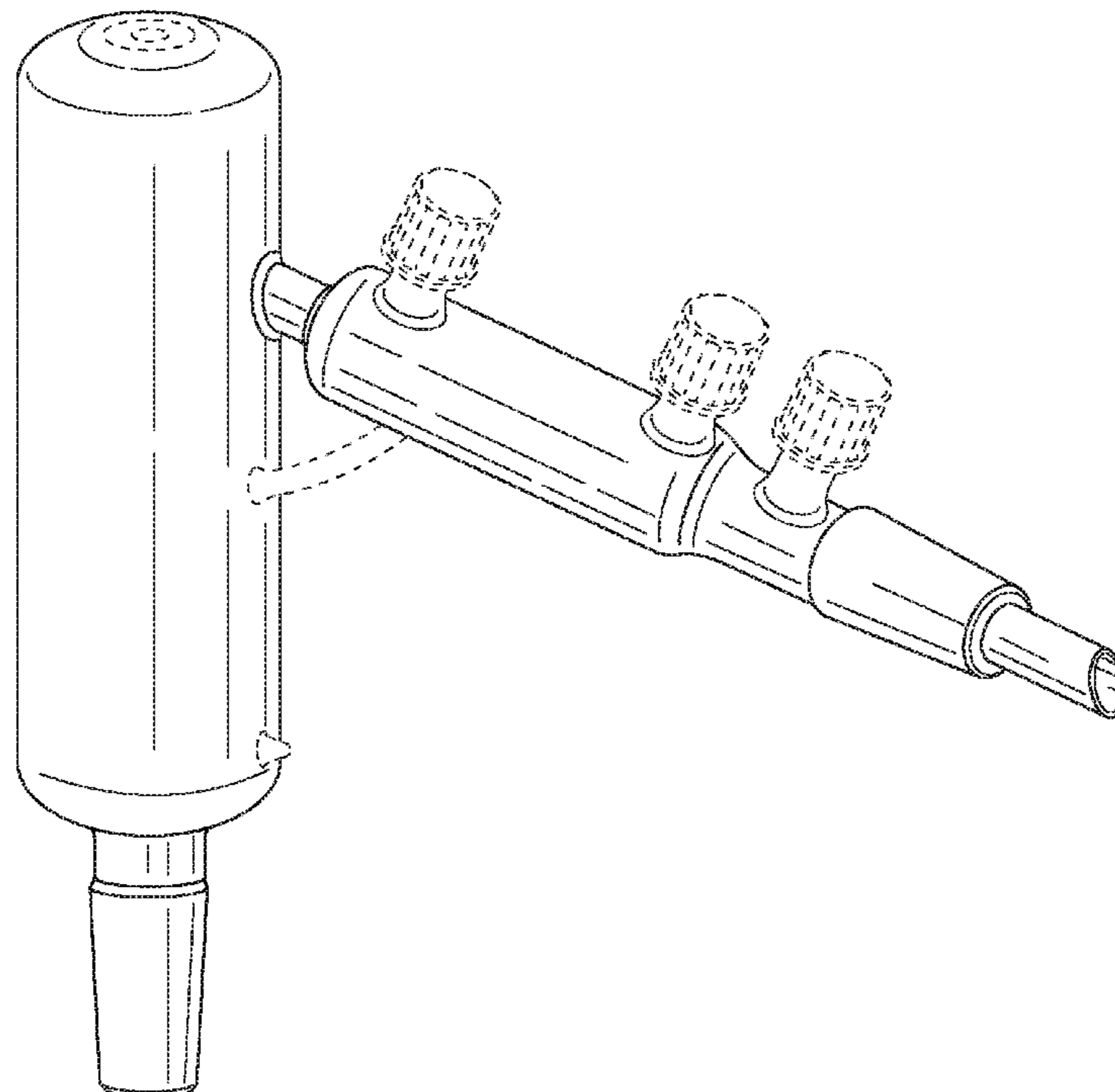
(57) **CLAIM**

The ornamental design for a short path distillation head, as shown and described.

DESCRIPTION

FIG. 1 is a top, right perspective view of a short path distillation head showing my new design; FIG. 2 is a right side elevational view thereof; FIG. 3 is a left side elevational view thereof; FIG. 4 is a front elevational view thereof; FIG. 5 is a rear elevational view thereof; FIG. 6 is top plan view thereof; and, FIG. 7 is a bottom plan view thereof. The broken lines shown in the figures represent portions of the short path distillation head that form no part of the claimed design.

1 Claim, 3 Drawing Sheets



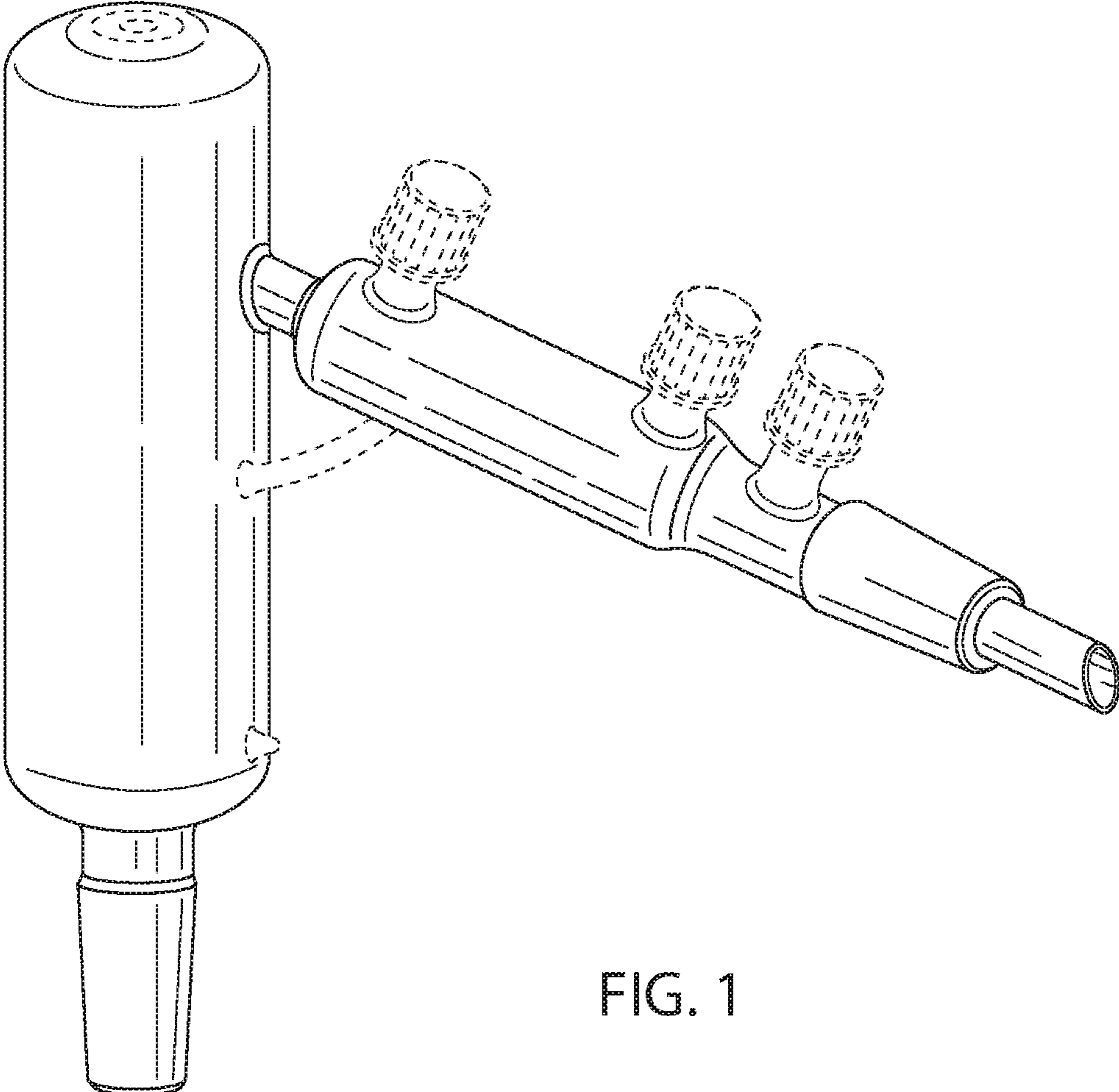


FIG. 1

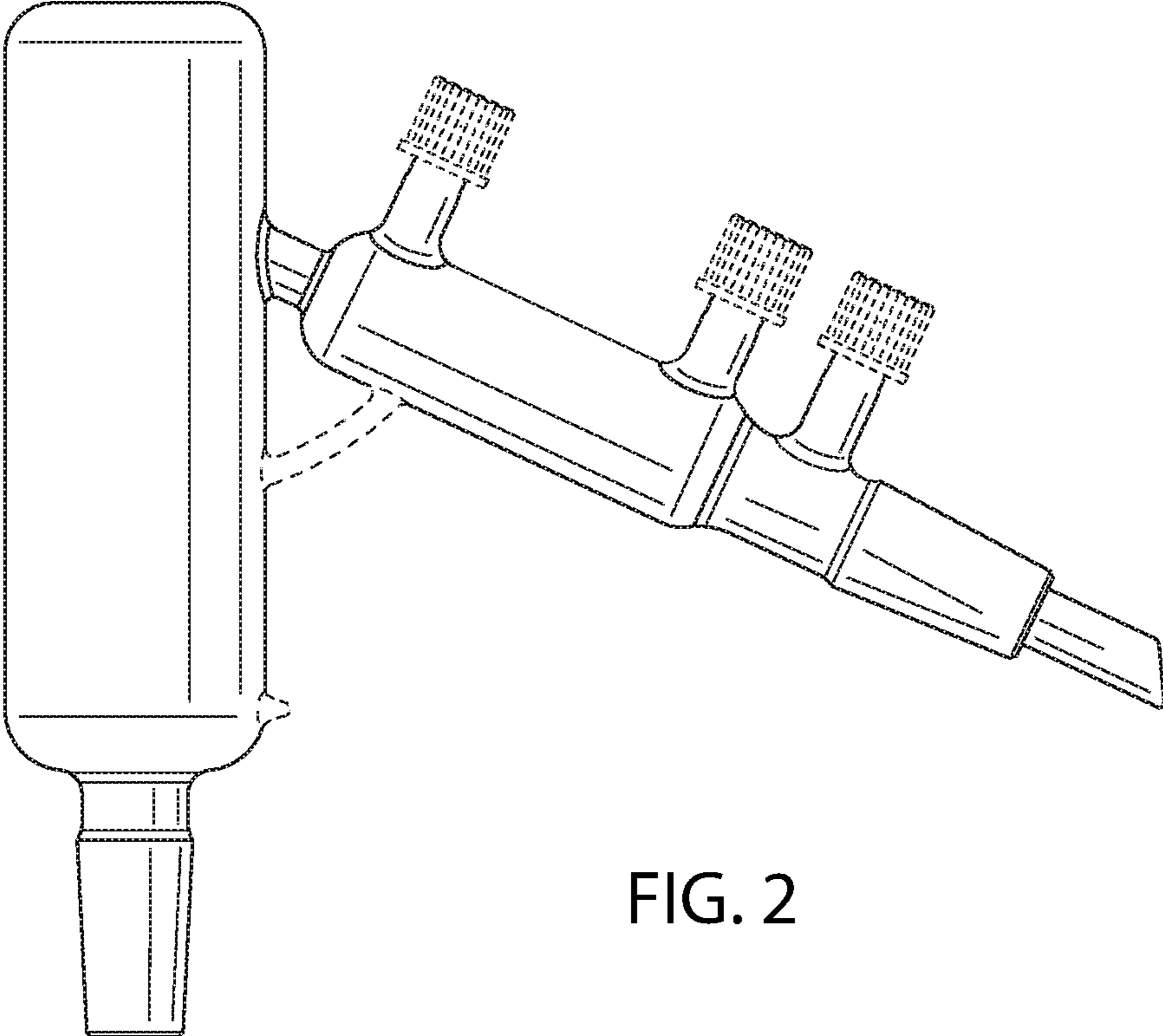


FIG. 2

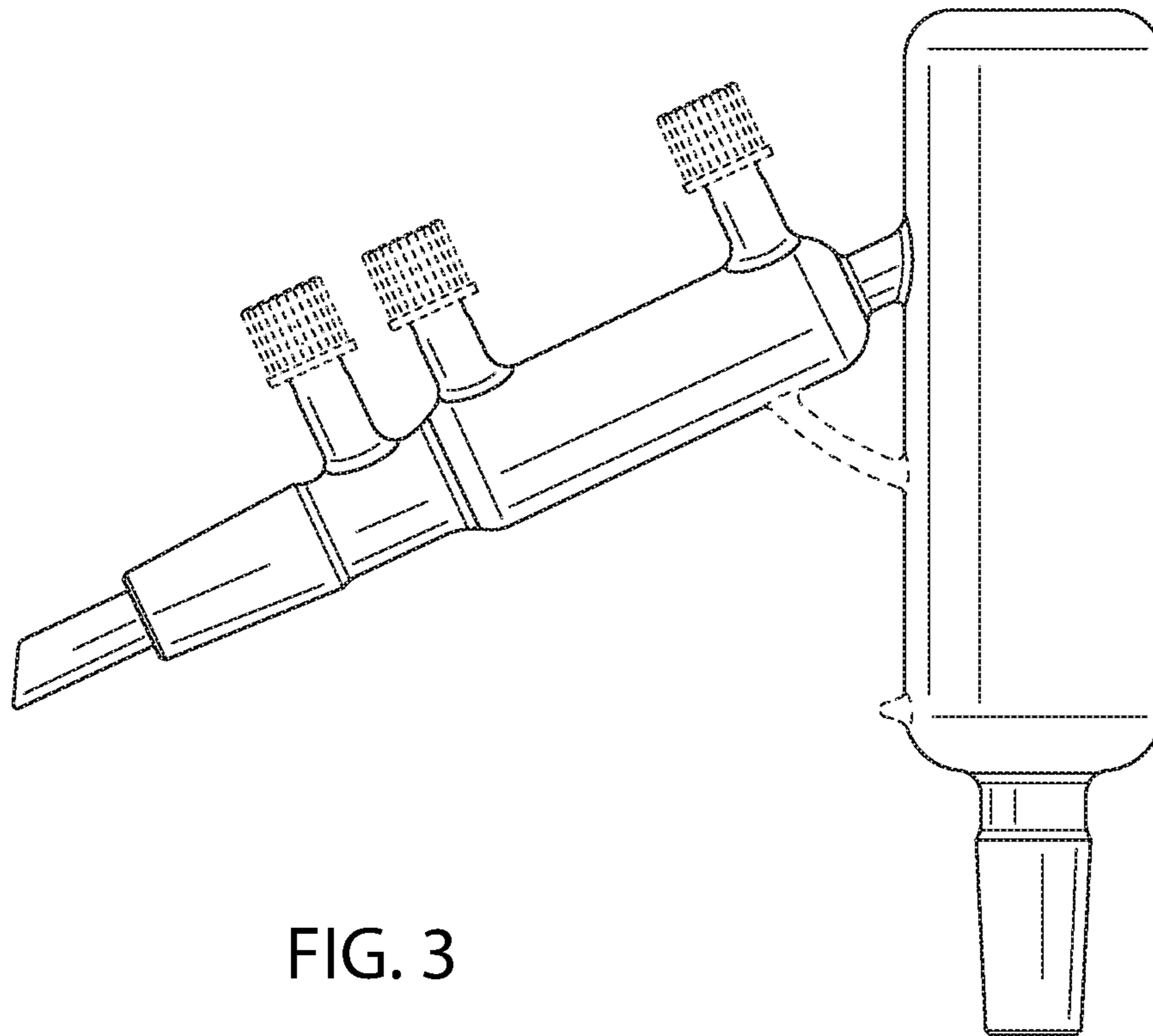


FIG. 3

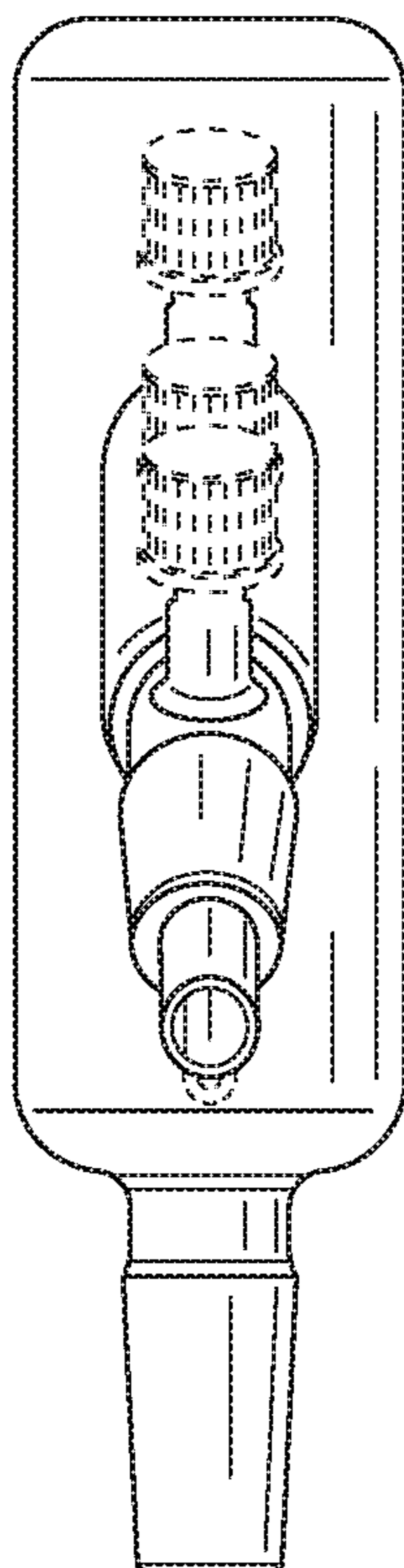


FIG. 4

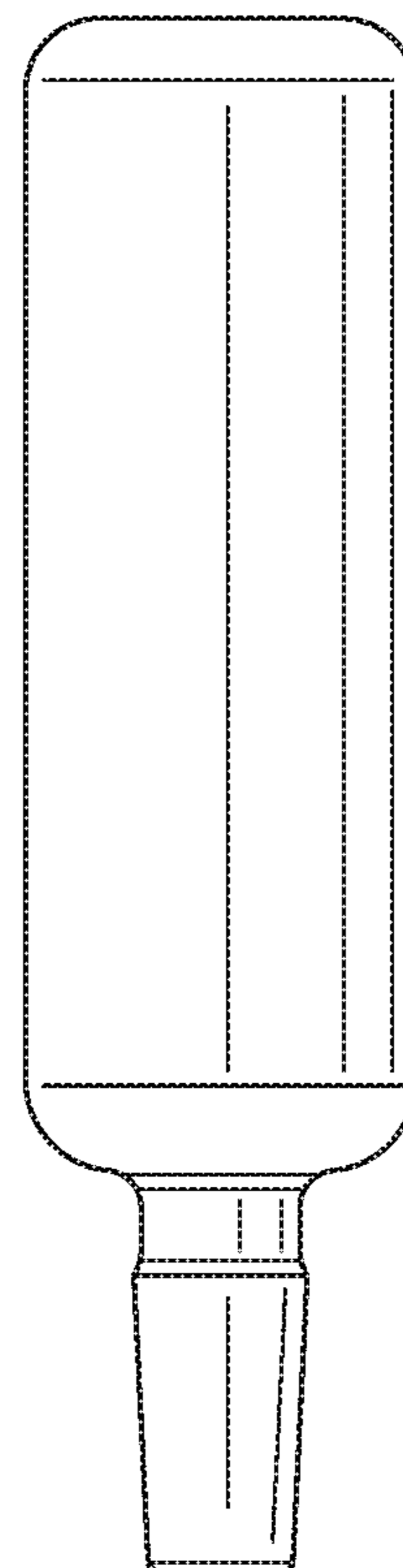


FIG. 5

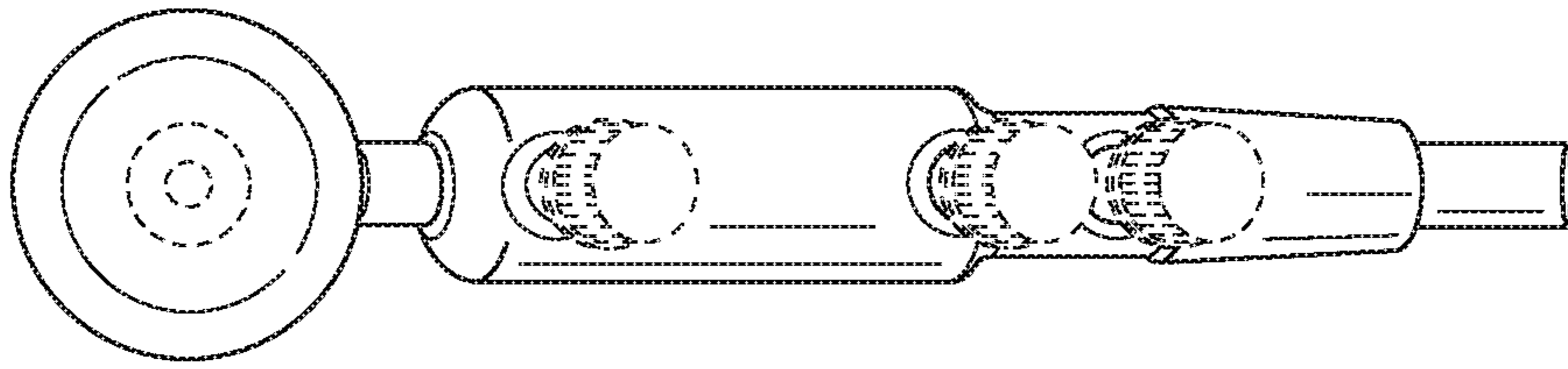


FIG. 6

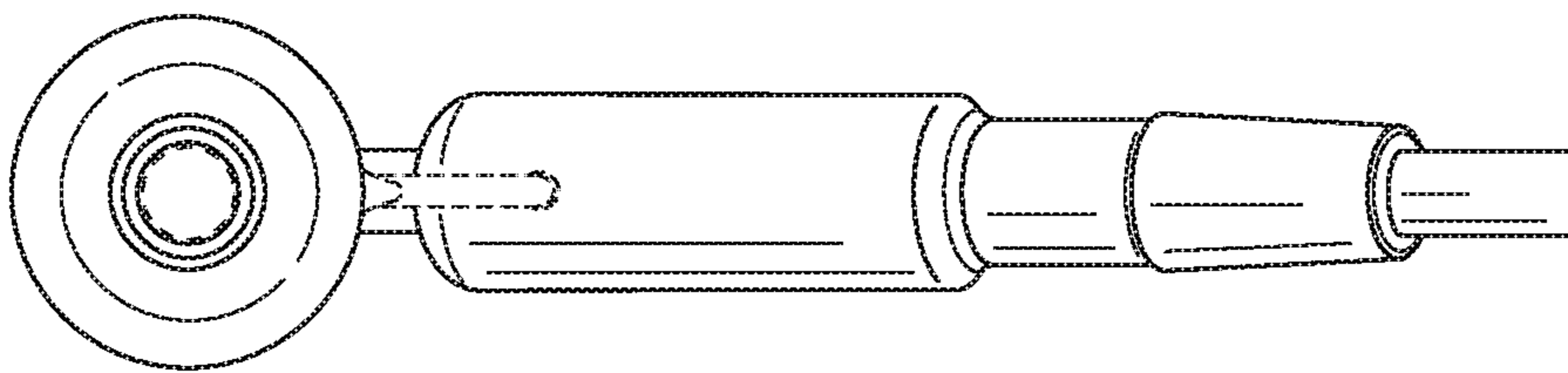


FIG. 7