



US00D877855S

(12) **United States Design Patent**
Wei et al.

(10) **Patent No.:** **US D877,855 S**
(45) **Date of Patent:** **** Mar. 10, 2020**

(54) **SOLAR FOUNTAIN**
(71) Applicant: **SHENZHEN QIANHAI PATUOXUN NETWORK AND TECHNOLOGY CO., LTD**, Shenzhen (CN)
(72) Inventors: **Ying Wei**, Shenzhen (CN); **Minghang Huang**, Shenzhen (CN); **Qian Chen**, Shenzhen (CN)
(73) Assignee: **SHENZHEN QIANHAI PATUOXUN NETWORK AND TECHNOLOGY CO., LTD**, Shenzhen (CN)

| | | | |
|--------------|---------|------------------|---------|
| D319,682 S * | 9/1991 | Sharp | D23/201 |
| D389,225 S * | 1/1998 | Coleman | D23/201 |
| D394,301 S * | 5/1998 | Fisher | D23/201 |
| D475,116 S * | 5/2003 | Chan | D23/201 |
| D481,780 S * | 11/2003 | Lee | D23/201 |
| D610,741 S * | 2/2010 | Trimi | D26/120 |
| D631,128 S * | 1/2011 | Laporta | D23/201 |
| D689,587 S * | 9/2013 | Schumacher | D23/201 |
| D828,901 S | 9/2018 | Li | |
| D829,303 S | 9/2018 | Li | |
| D836,751 S | 12/2018 | Li | |

* cited by examiner

Primary Examiner — Michelle E. Wilson

(**) Term: **15 Years**
(21) Appl. No.: **29/710,219**
(22) Filed: **Oct. 22, 2019**
(51) **LOC (12) Cl.** **23-01**
(52) **U.S. Cl.**
USPC **D23/201**
(58) **Field of Classification Search**
USPC D23/200, 201, 214–218; D13/102;
D21/597
CPC B05B 17/08; F21S 8/00
See application file for complete search history.

(57) **CLAIM**

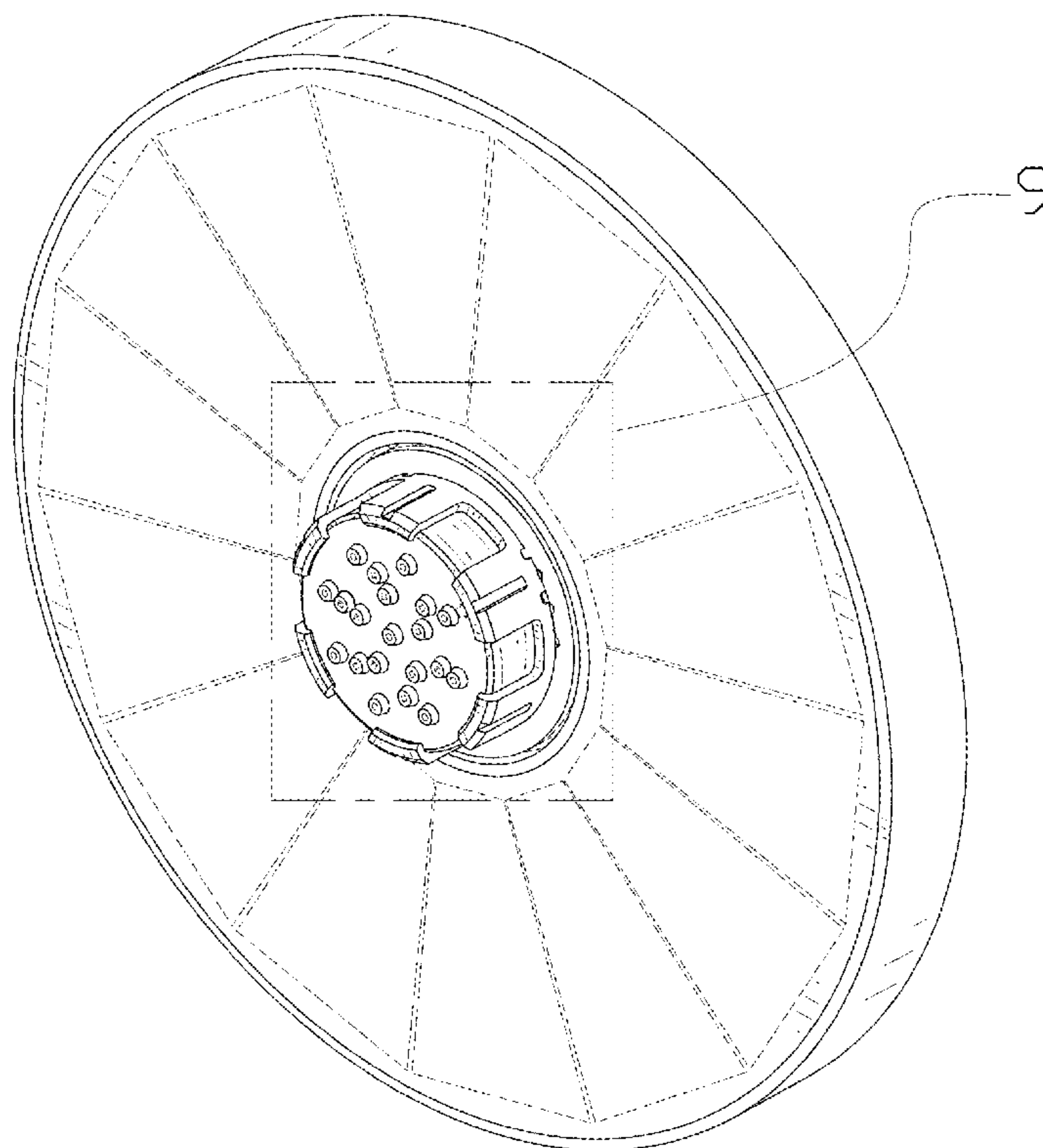
The ornamental design for a solar fountain, as shown and described.

DESCRIPTION

FIG. 1 is a perspective view of a solar fountain showing my new design;
FIG. 2 is another perspective view thereof;
FIG. 3 is a front elevational view thereof;
FIG. 4 is a rear elevational view thereof;
FIG. 5 is a left side elevational view thereof;
FIG. 6 is a right side elevational view thereof;
FIG. 7 is a top plan view thereof;
FIG. 8 is a bottom plan view thereof; and,
FIG. 9 is an enlarged view of portion 9 shown in FIG. 1.
The broken lines in the drawings depict portions of the solar fountain that form no part of the claimed design.

(56) **References Cited**
U.S. PATENT DOCUMENTS
3,030,028 A * 4/1962 Hruby, Jr. B05B 17/08
239/17
3,894,689 A * 7/1975 Billingsley F21S 8/00
239/18

1 Claim, 9 Drawing Sheets



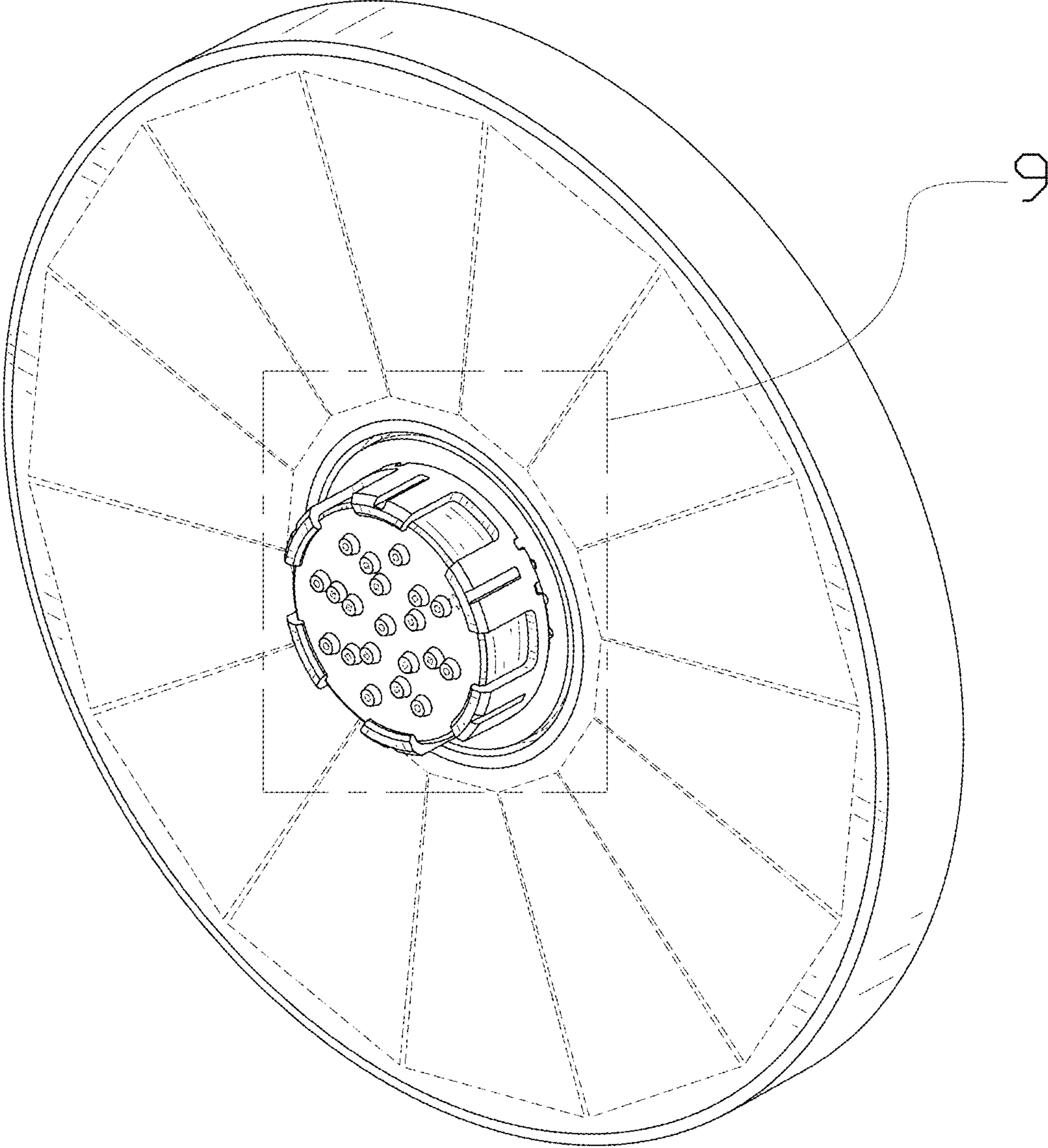


FIG. 1

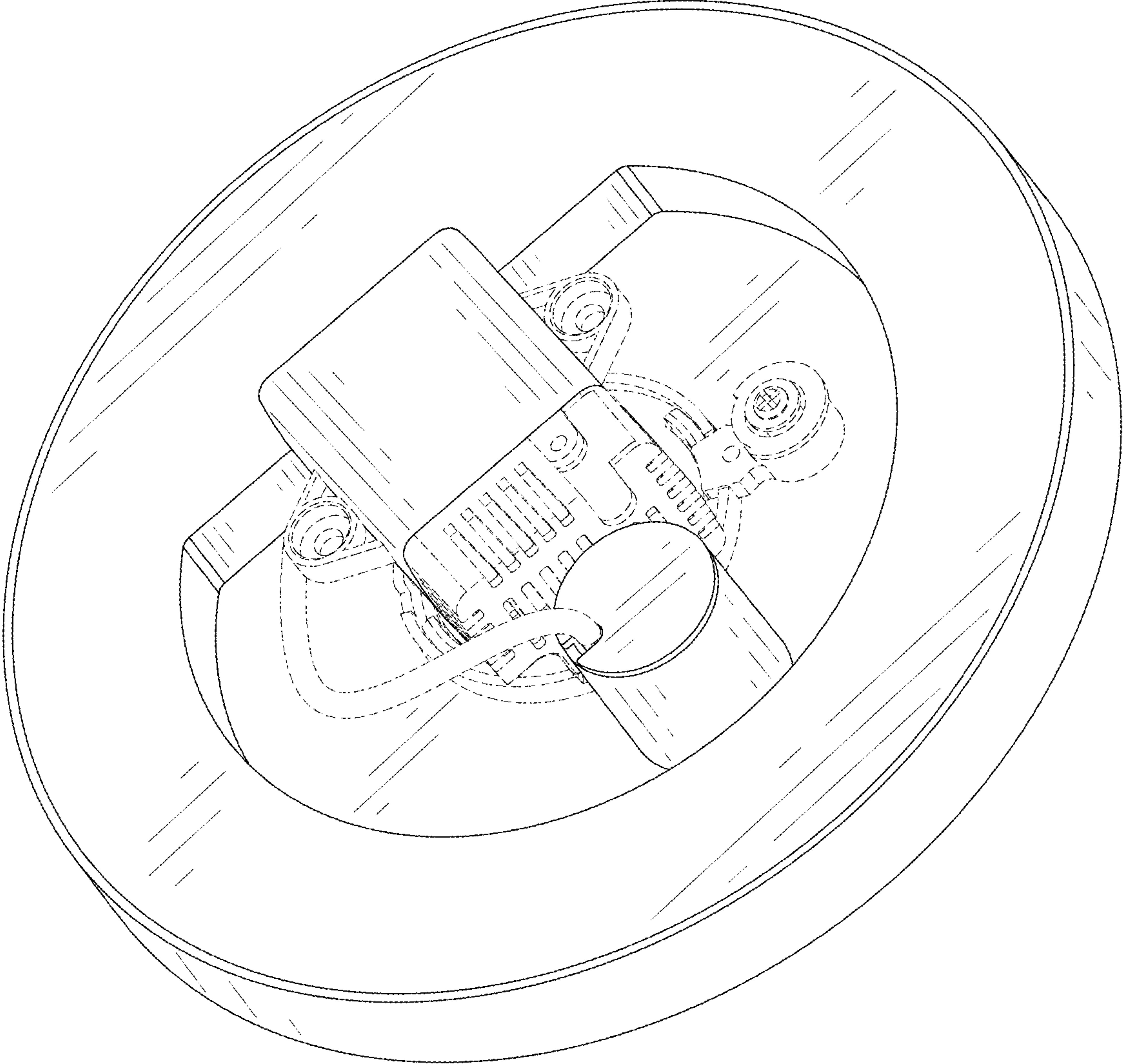


FIG. 2

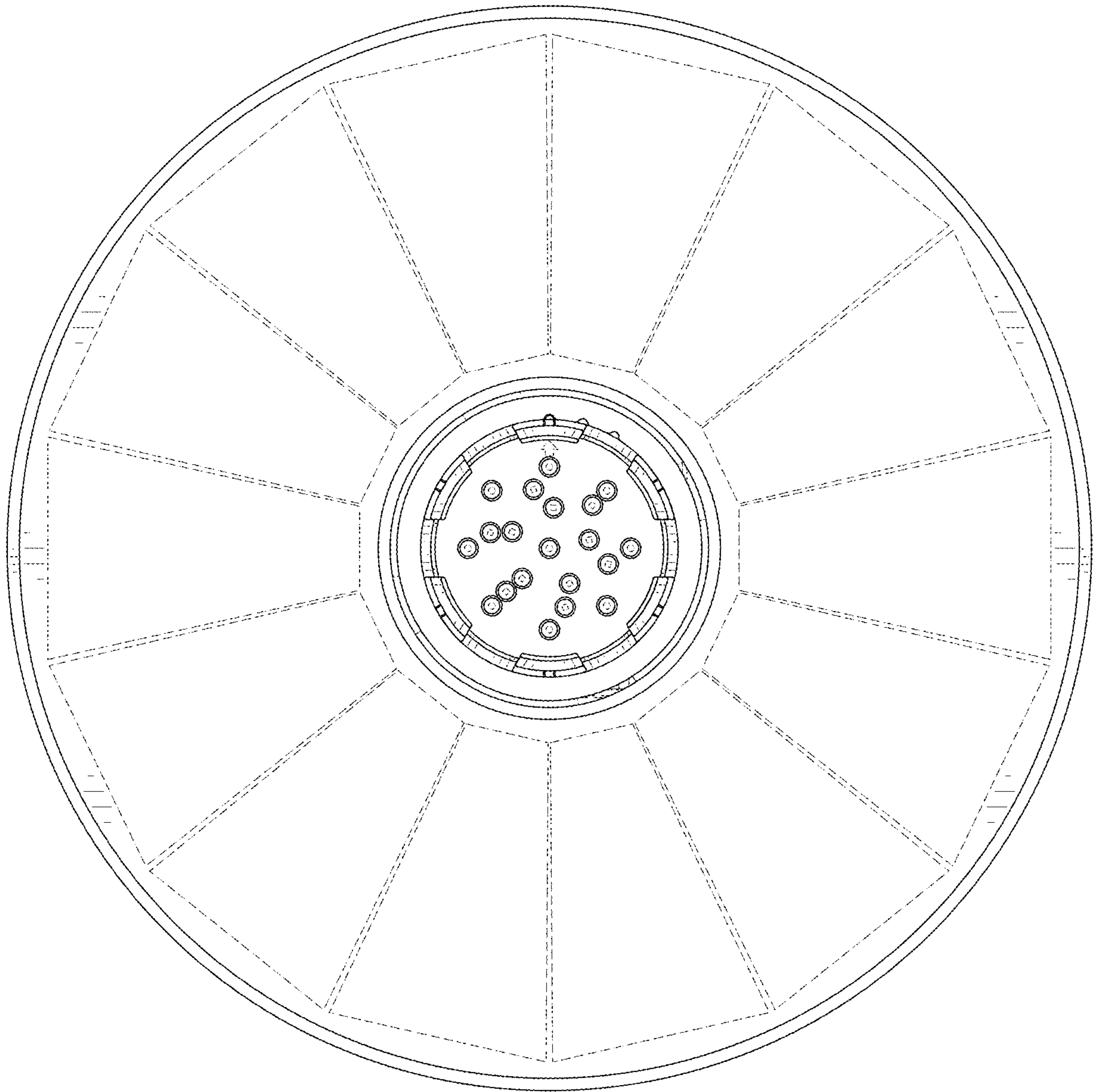


FIG. 3

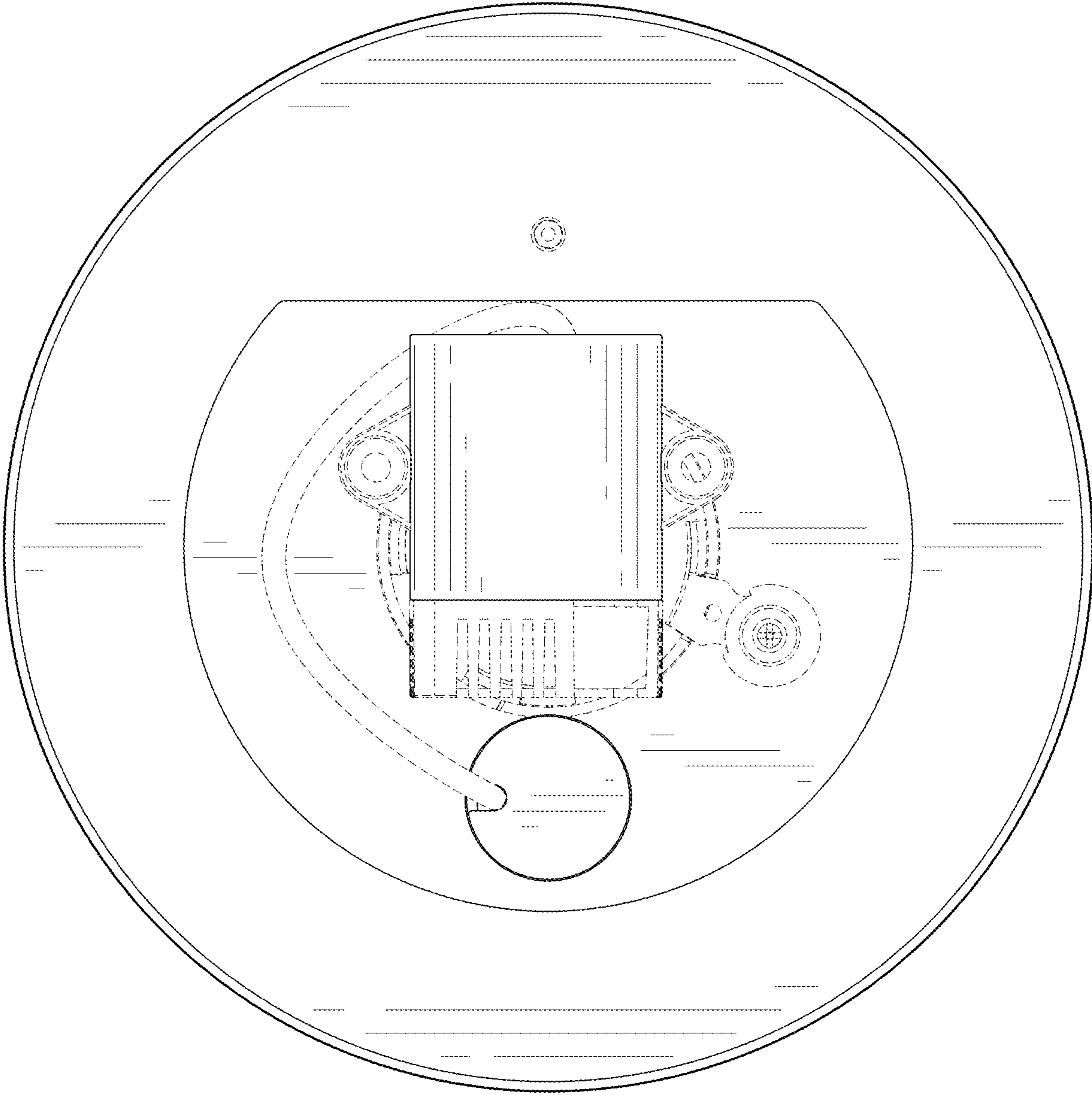


FIG. 4

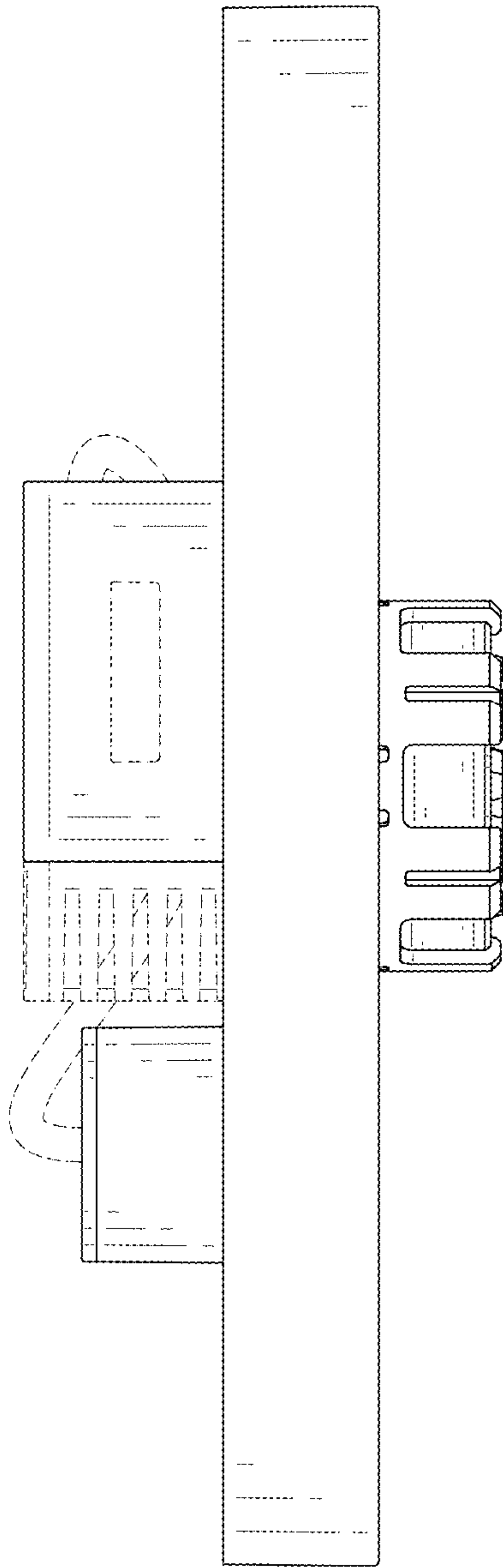


FIG. 5

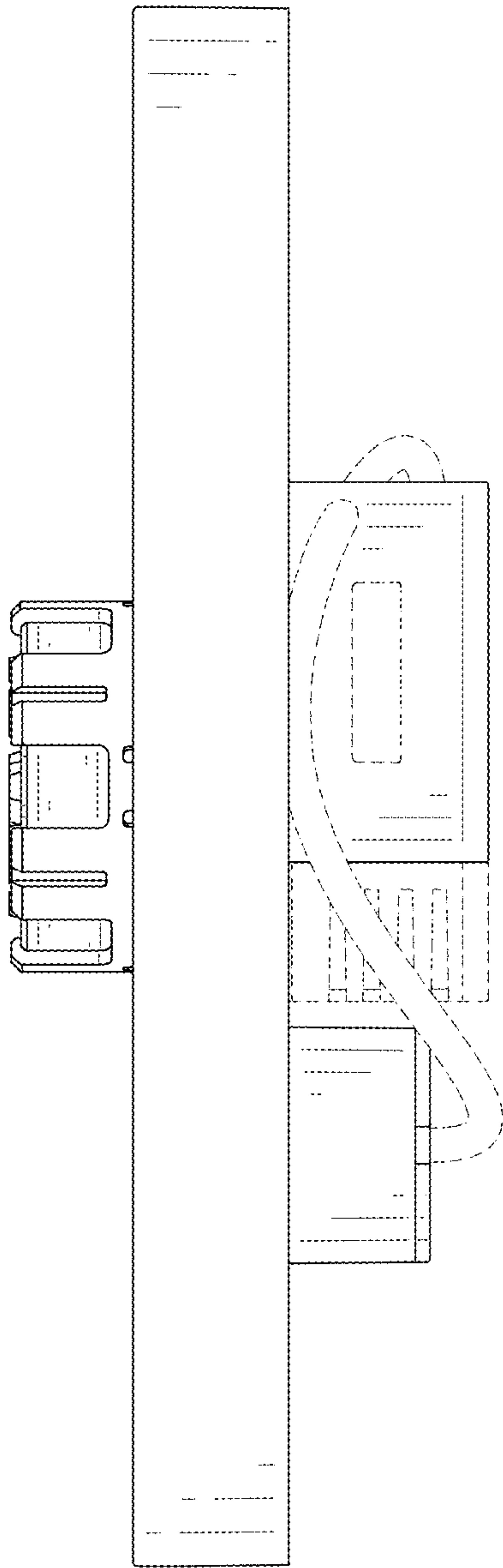


FIG. 6

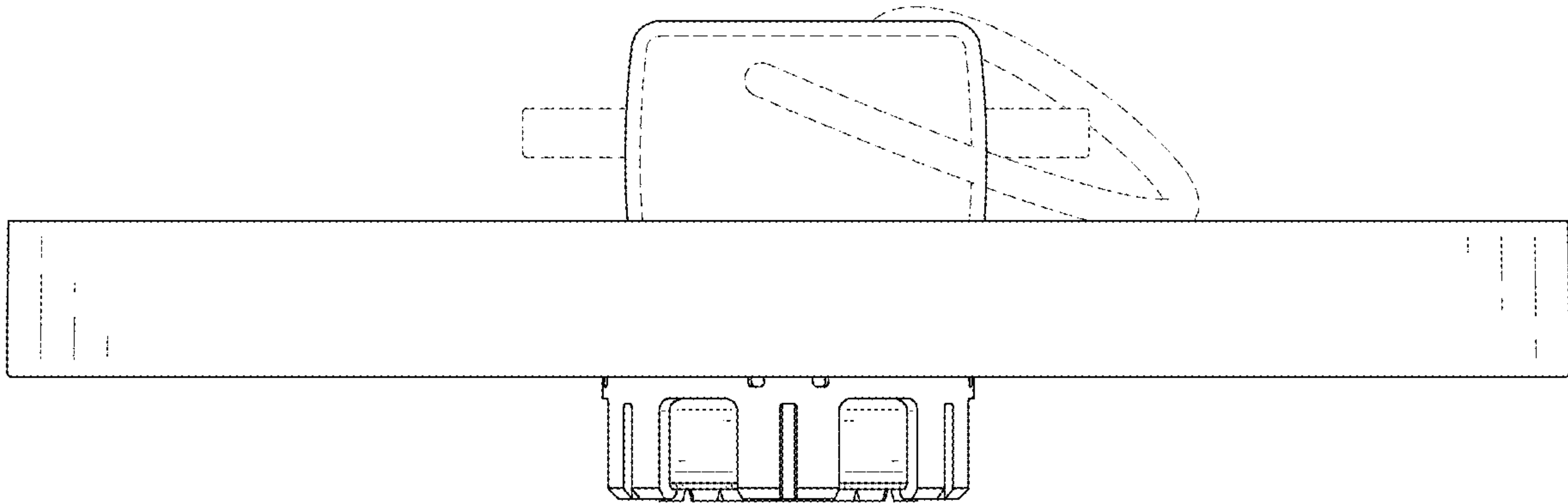


FIG. 7

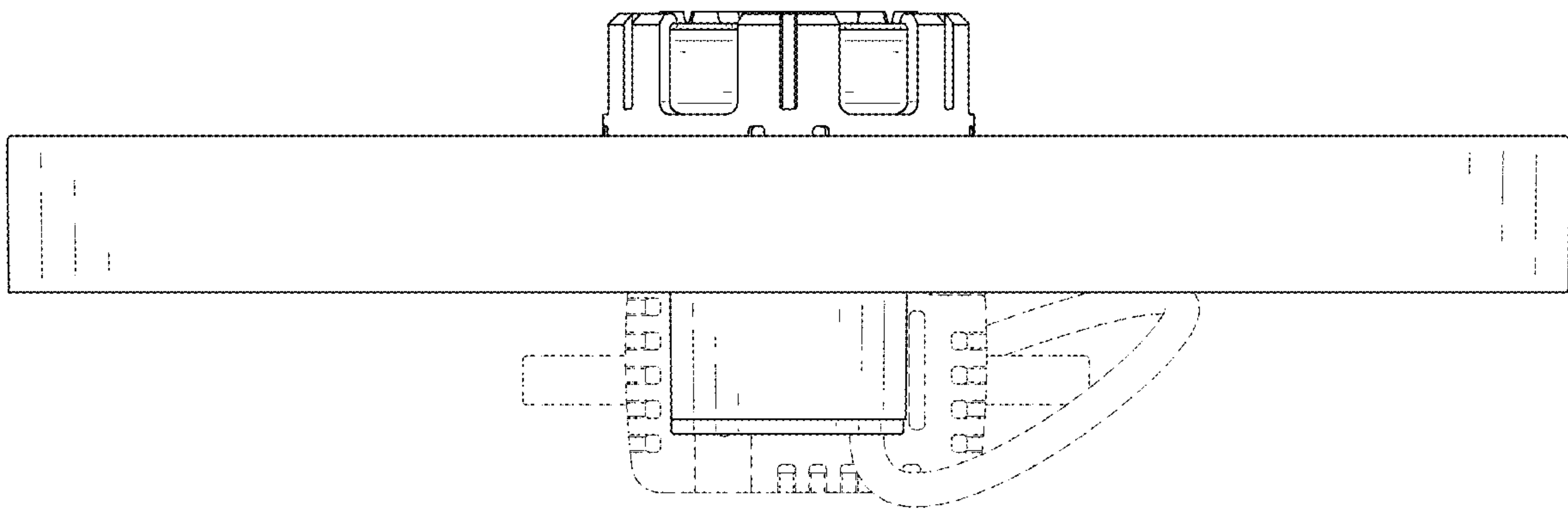


FIG. 8

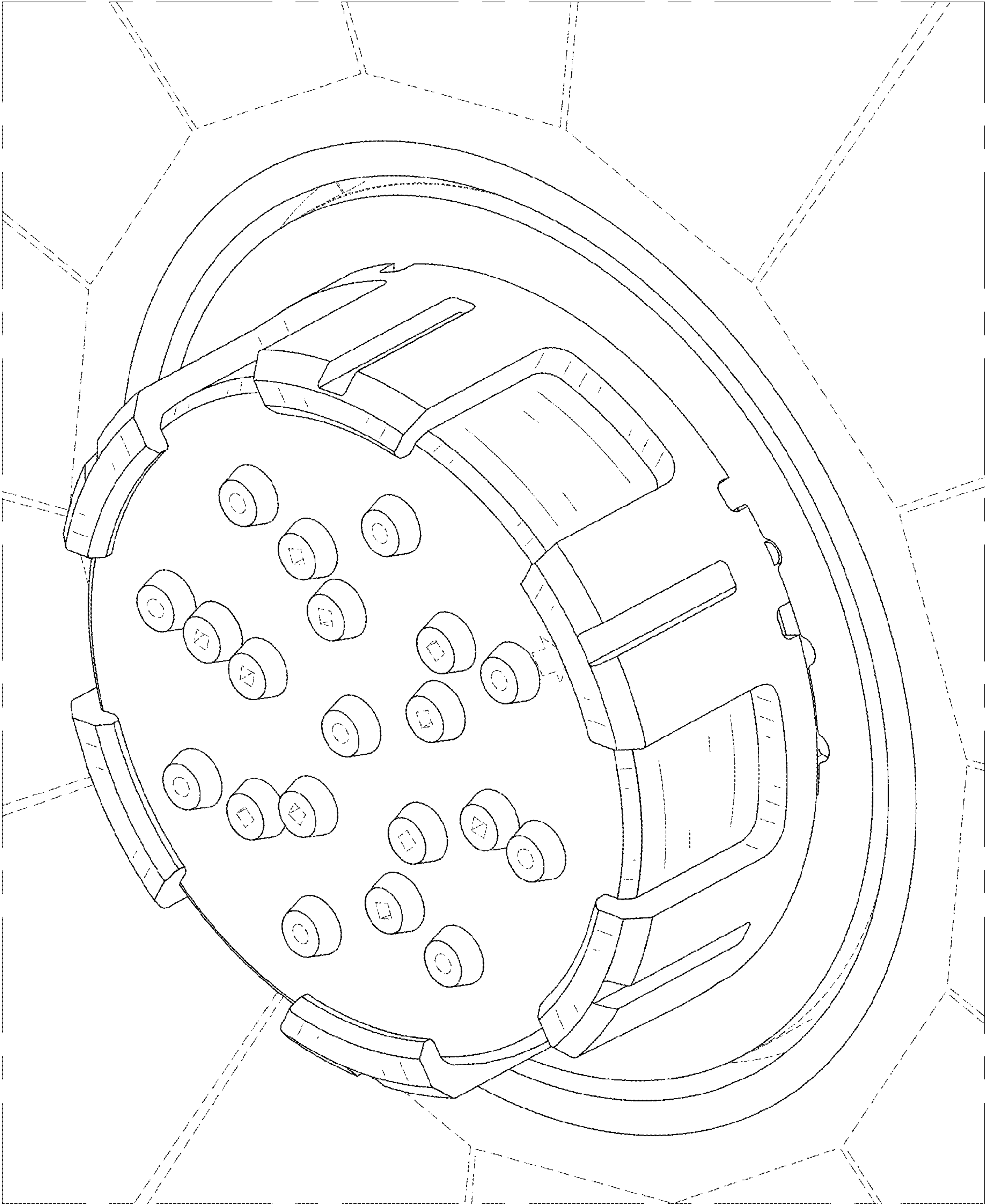


FIG. 9