



US00D877851S

(12) **United States Design Patent**
Falco, Jr. et al.

(10) **Patent No.:** **US D877,851 S**

(45) **Date of Patent:** **** *Mar. 10, 2020**

(54) **COMBINED INSECT TRAP AND BAIT STATION HOLDER**

DESCRIPTION

(71) Applicants: **Frank Falco, Jr.**, Staten Island, NY (US); **Renzo Capraro**, Marlboro, NJ (US)

(72) Inventors: **Frank Falco, Jr.**, Staten Island, NY (US); **Renzo Capraro**, Marlboro, NJ (US)

(*) Notice: This patent is subject to a terminal disclaimer.

(**) Term: **15 Years**

(21) Appl. No.: **29/674,478**

(22) Filed: **Dec. 21, 2018**

(51) **LOC (12) Cl.** **22-06**

(52) **U.S. Cl.**
USPC **D22/122**

(58) **Field of Classification Search**
USPC D22/119-124; 43/107, 112-114, 121, 43/131, 132.1

(Continued)

(56) **References Cited**

U.S. PATENT DOCUMENTS

1,715,173 A 5/1929 Optiz
1,804,891 A 5/1931 Newman

(Continued)

FOREIGN PATENT DOCUMENTS

WO WO-9622684 8/1996

Primary Examiner — Catherine R Oliver-Garcia

(74) *Attorney, Agent, or Firm* — Walter J. Tencza, Jr.

(57) **CLAIM**

We claim the ornamental design for the combined insect trap and bait station holder, as shown and described.

FIG. 1 shows a front, top, and left side perspective view of an combined insect trap and bait station holder in accordance with the present invention;

FIG. 2 shows a front, bottom, and left side perspective view of the combined insect trap and bait station holder of FIG. 1;

FIG. 3 shows a front elevational view of the combined insect trap and bait station holder of FIG. 1;

FIG. 4 shows rear elevational view of the combined insect trap and bait station holder of FIG. 1;

FIG. 5 shows a left side elevational view of the combined insect trap and bait station holder of FIG. 1, wherein the right side elevational view and the left side elevational view of the insect trap or insect bait station of FIG. 1, are identical;

FIG. 6 shows a top elevational view of the combined insect trap and bait station holder of FIG. 1;

FIG. 7 shows a bottom elevational view of the combined insect trap and bait station holder of FIG. 1;

FIG. 8 shows the front, top, and left side perspective view of the insect or insect bait station trap holder of FIG. 1, along with a line 9 and line 10 along which sectional views of FIG. 8 are taken;

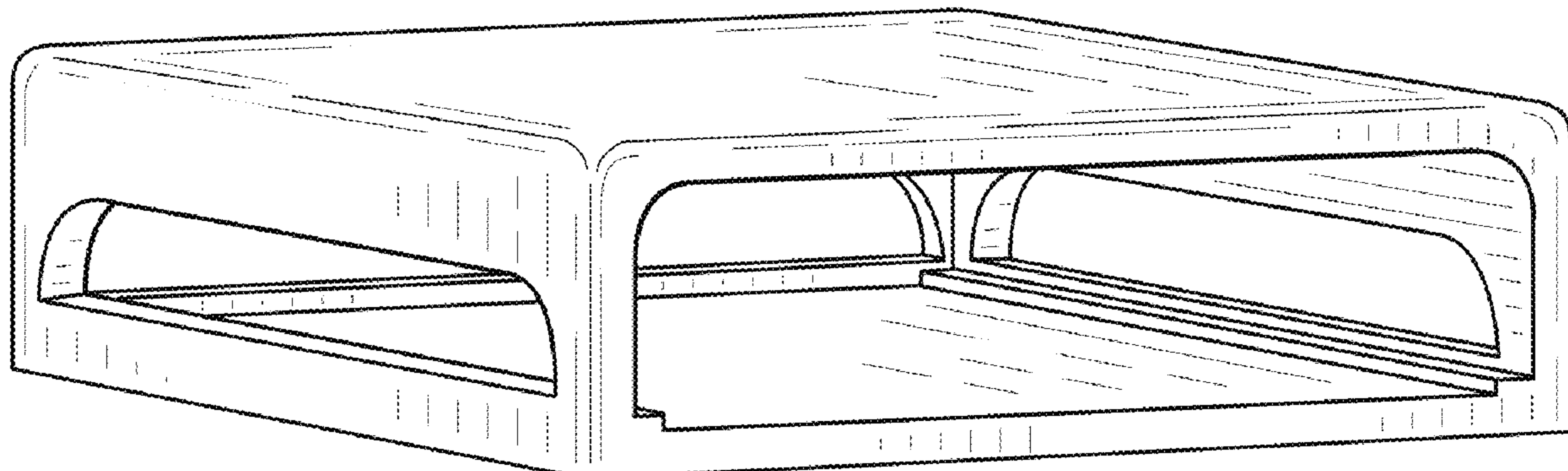
FIG. 9 shows a sectional view of the combined insect trap and bait station holder of FIG. 1, taken along the line 9 shown in FIG. 8;

FIG. 10 shows a section view of the combined insect trap and bait station holder of FIG. 1, taken along the line 10 shown in FIG. 8;

FIG. 11 shows the front, top, and left side perspective view of the insect or insect bait station trap holder of shown in FIG. 1 but with a known insect trap or insect bait station shown in broken lines inside of the combined insect trap and bait station holder, wherein the insect trap or insect bait station shown in broken lines forms no part of the claimed design; and,

FIG. 12 shows the front elevational view of the combined insect trap and bait station holder of FIG. 3, but with a known insect trap or insect bait station shown in broken lines inside of the combined insect trap and bait station holder,

(Continued)



wherein the insect trap or insect bait station shown in broken lines forms no part of the claimed design.

1 Claim, 6 Drawing Sheets

(58) Field of Classification Search

CPC A01M 1/02; A01M 1/10; A01M 1/20; A01M 1/106; A01M 31/008; A01M 2200/012; A01M 1/2016; A01M 25/004; A01M 2200/011; A01M 1/2005; A01M 1/2011
See application file for complete search history.

(56) References Cited

U.S. PATENT DOCUMENTS

1,820,186 A 8/1931 Gaskins
2,009,305 A 7/1935 Vinson

2,291,358 A	7/1942	Treadwell	
3,303,600 A	2/1967	Freeman	
4,143,764 A	3/1979	Moss, III	
4,395,842 A	8/1983	Marguiles	
D306,197 S *	2/1990	Demarest	D22/122
D362,045 S *	9/1995	Demarest	D22/119
D686,689 S *	7/2013	Bernard	D22/122
D722,128 S *	2/2015	Wang	D22/122
8,978,291 B1	3/2015	Cambre	
D761,931 S *	7/2016	Zhang	D22/122
D783,766 S *	4/2017	Wang	D22/122
D811,517 S *	2/2018	Chapin	D22/122
D818,078 S *	5/2018	Zhang	D22/122
D823,426 S *	7/2018	Chapin	D22/122
D831,151 S *	10/2018	Zhang	D22/122
2002/0069579 A1	6/2002	Hyatt	
2006/0006183 A1	1/2006	Yeh	

* cited by examiner

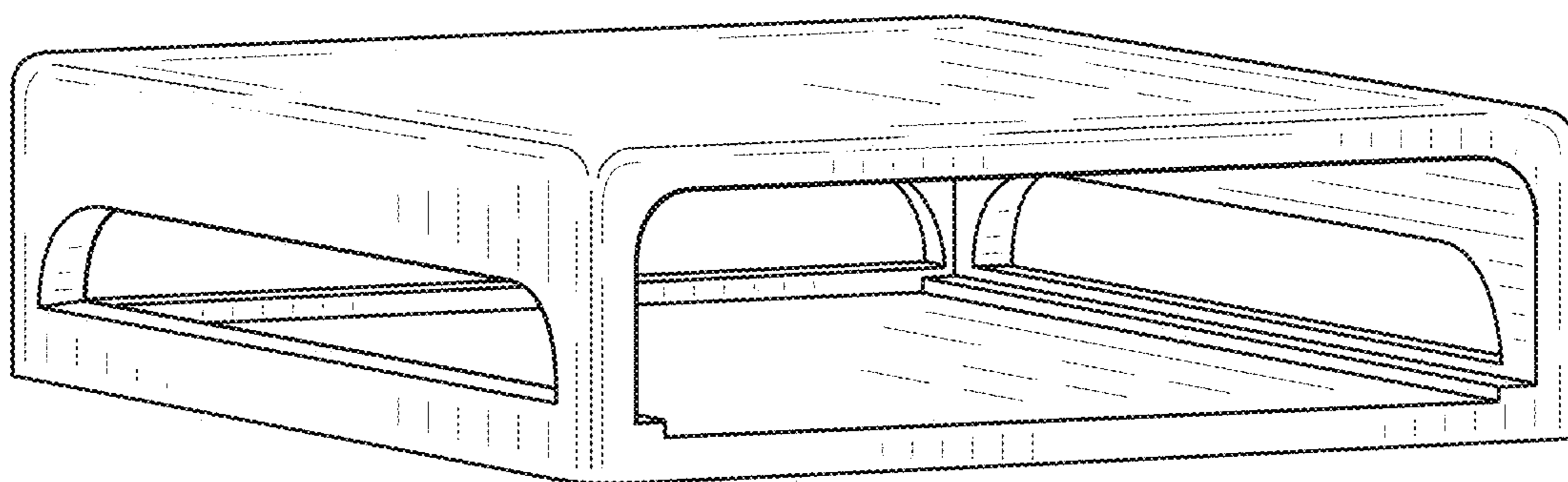


FIG. 1

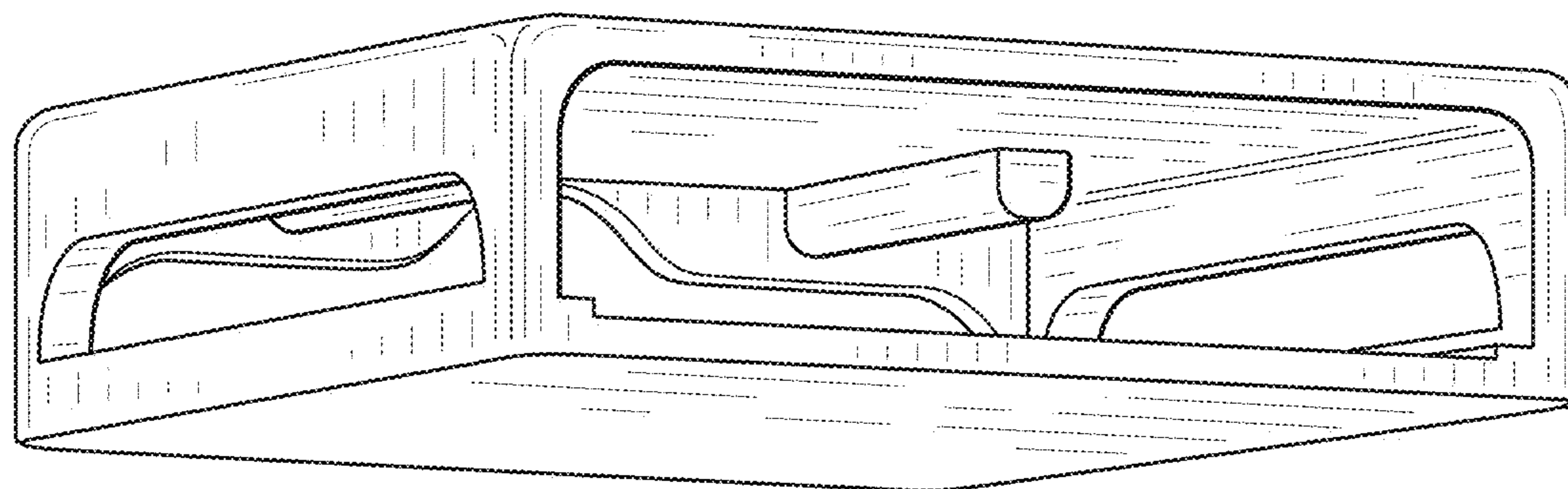


FIG. 2

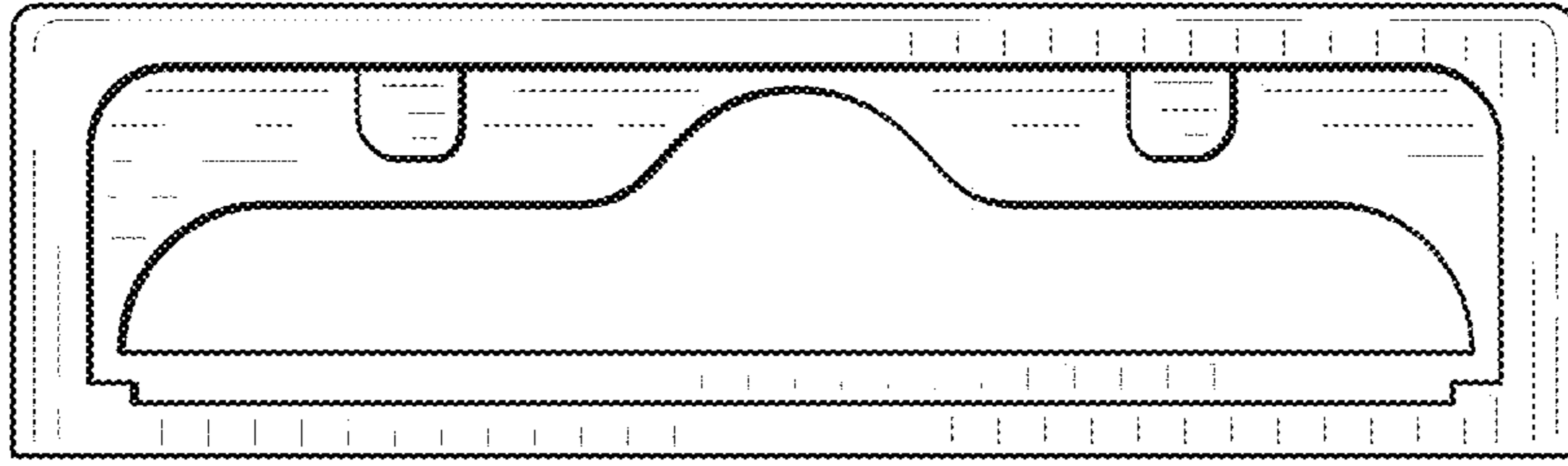


FIG. 3

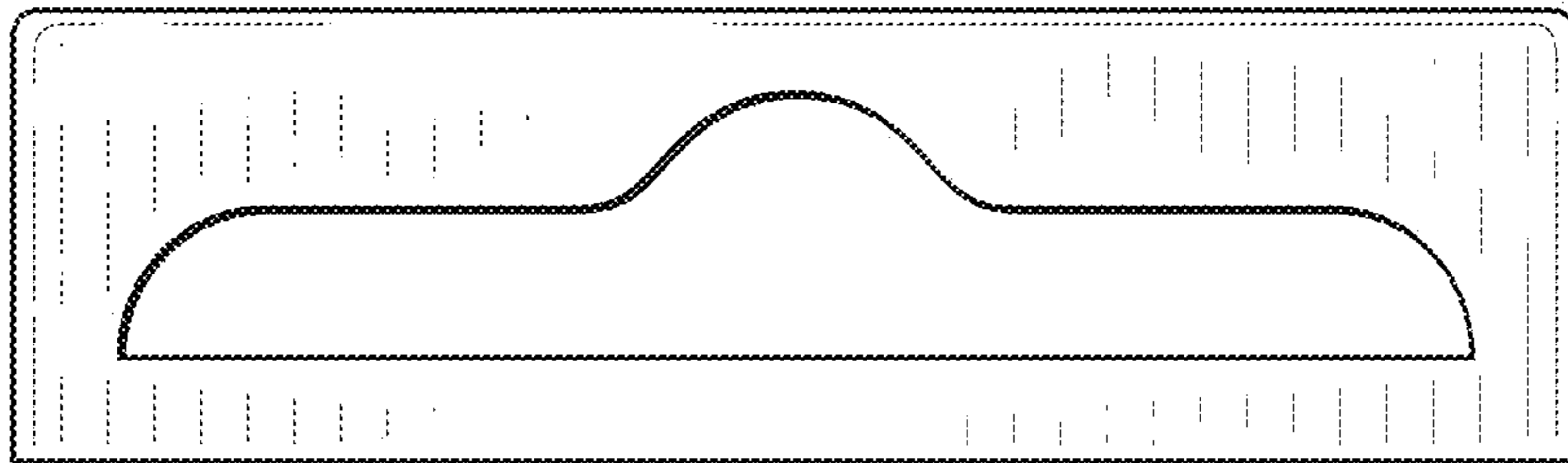


FIG. 4

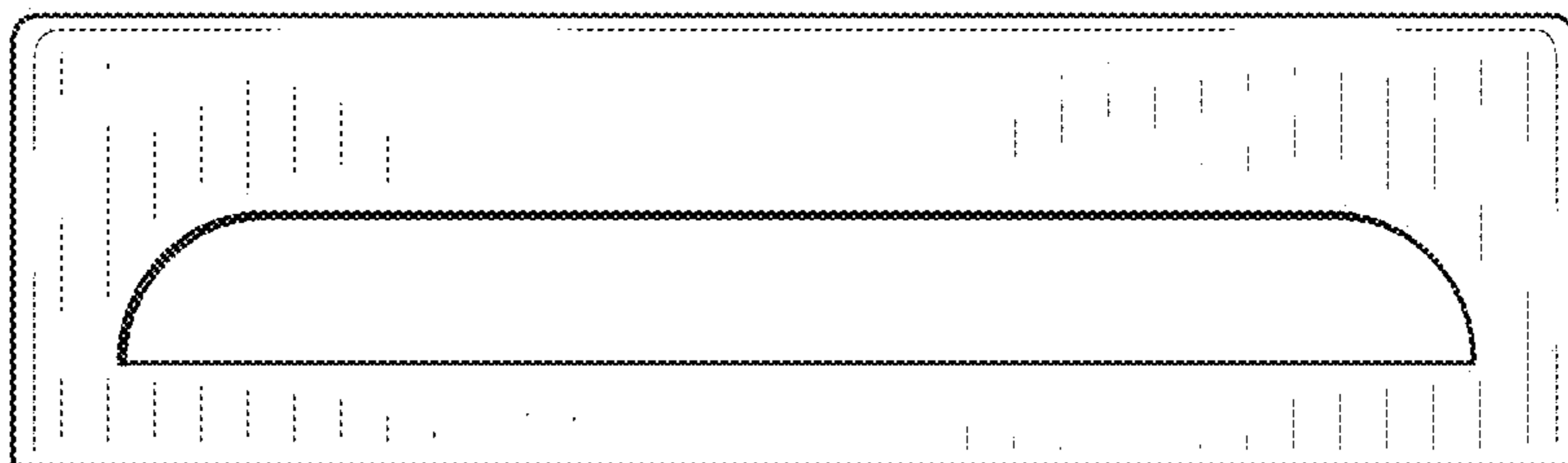


FIG. 5

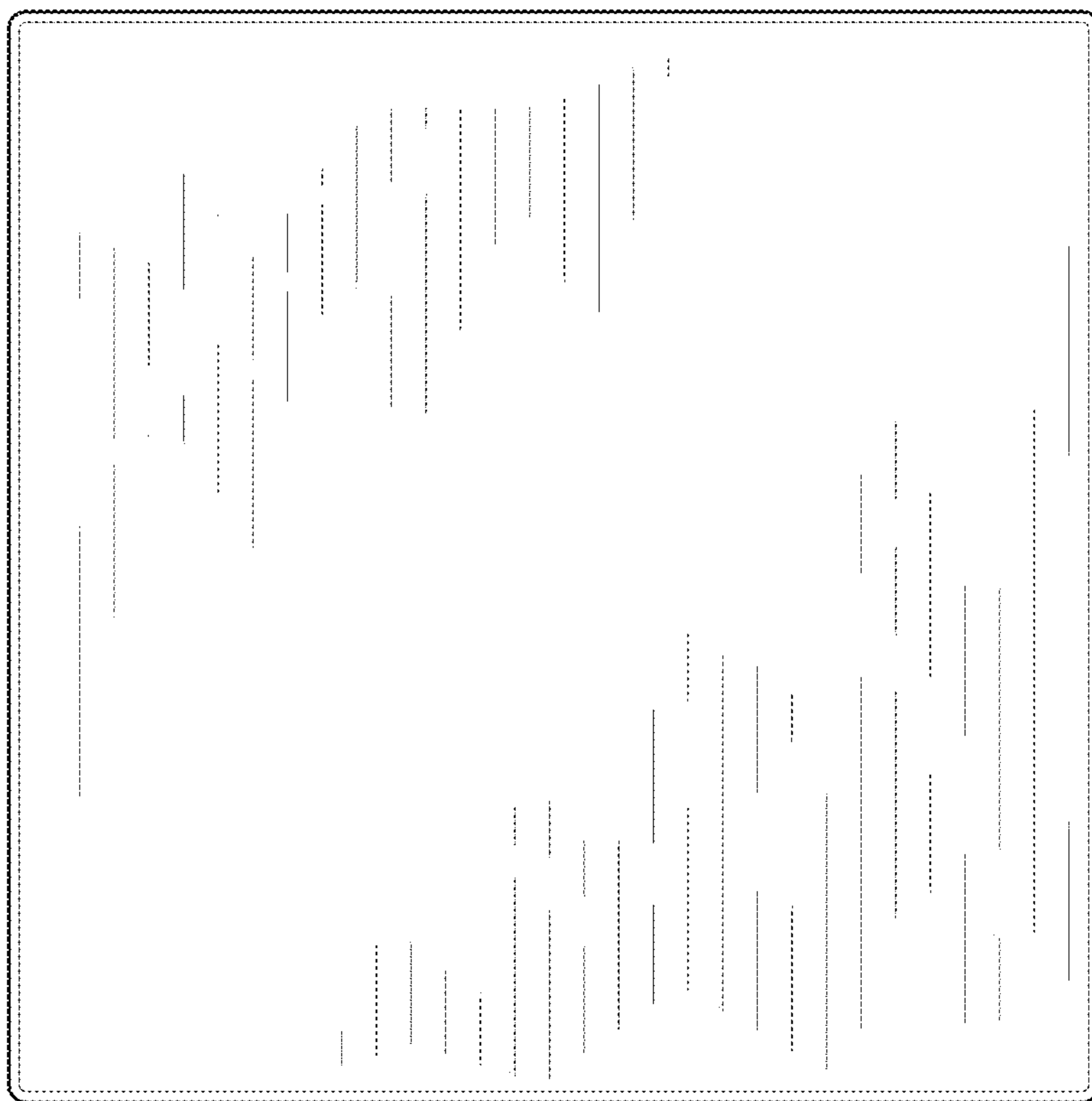


FIG. 6

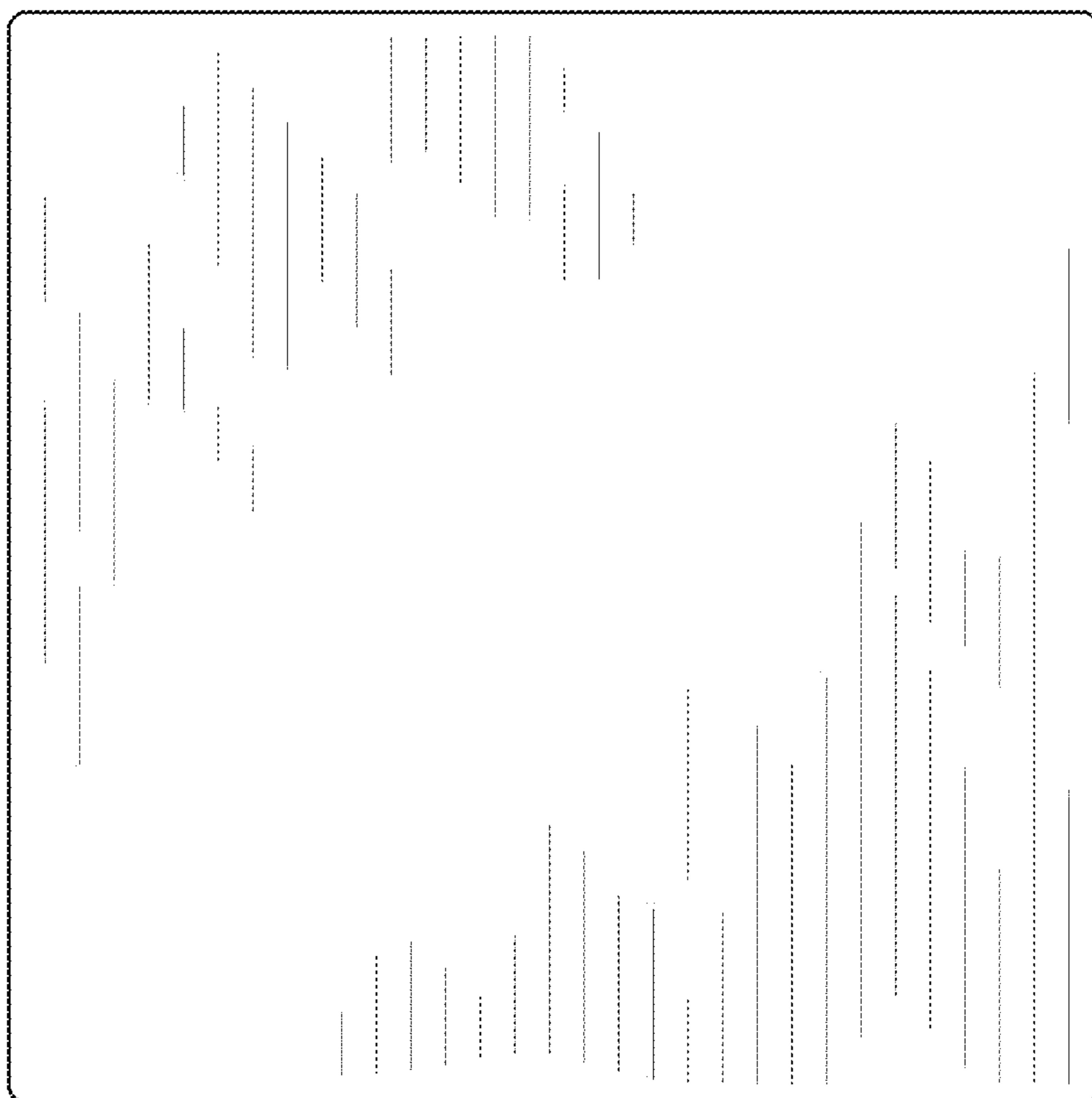


FIG. 7

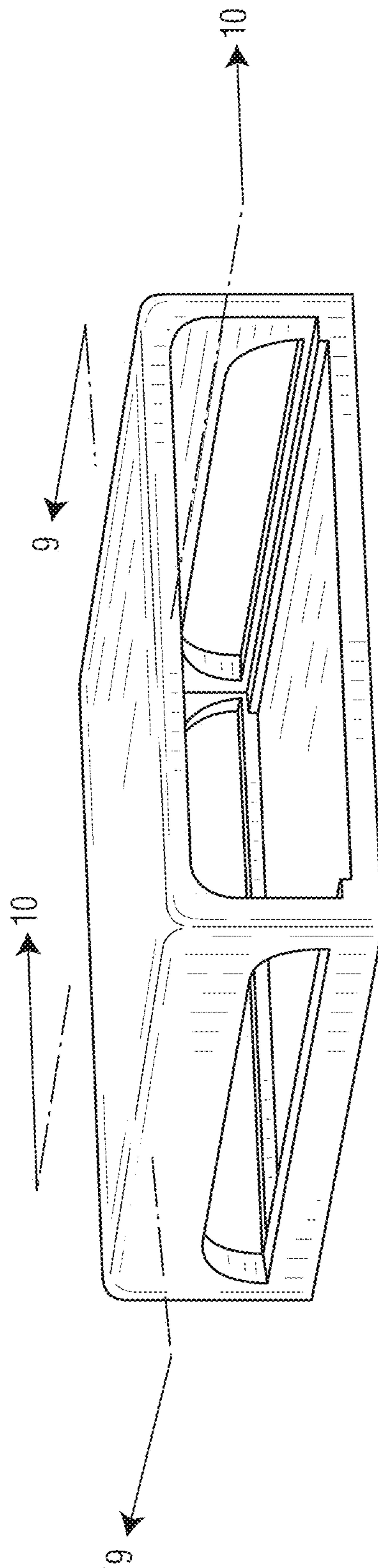


FIG. 8

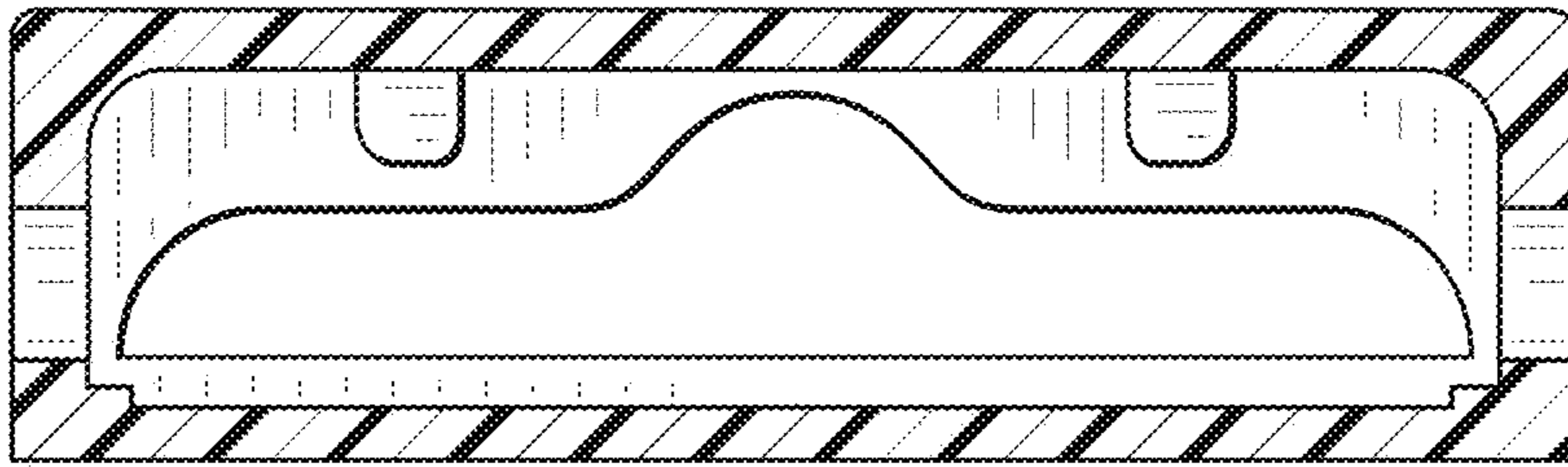


FIG. 9



FIG. 10

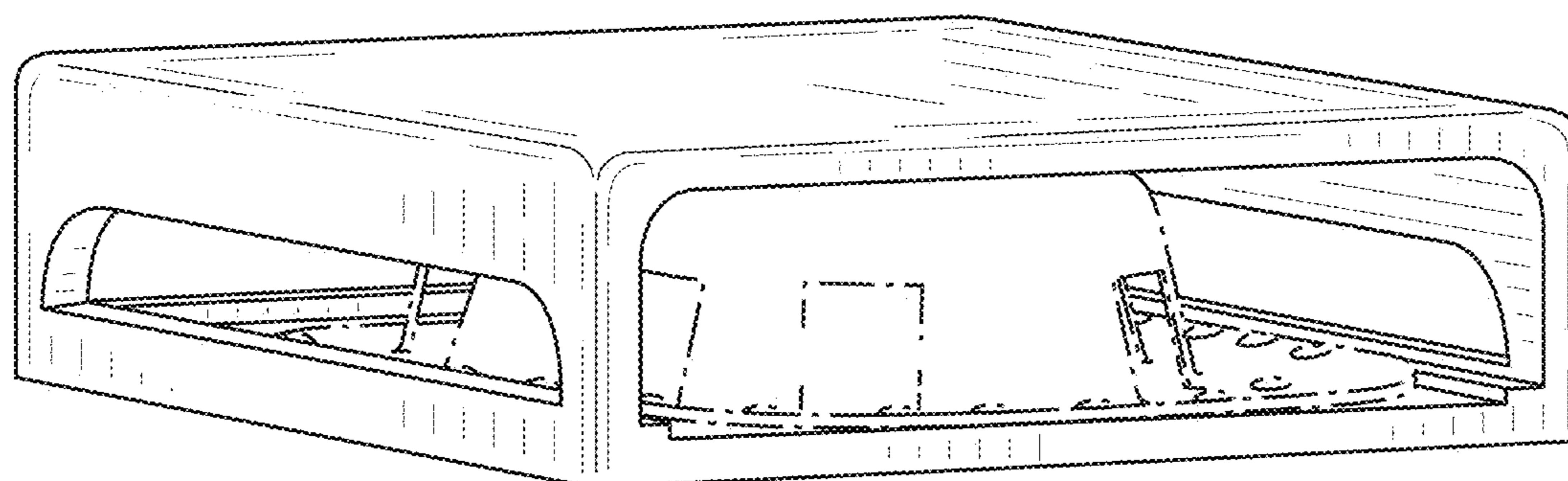


FIG. 11



FIG. 12