



US00D877847S

(12) **United States Design Patent**
Vail

(10) **Patent No.:** **US D877,847 S**

(45) **Date of Patent:** **** Mar. 10, 2020**

(54) **REAR PISTOL SIGHT**

(71) Applicant: **Sig Sauer, Inc.**, Newington, NH (US)

(72) Inventor: **Joshua D. Vail**, Carlton, OR (US)

(73) Assignee: **SIG SAUER, INC.**, Newington, NH (US)

(**) Term: **15 Years**

(21) Appl. No.: **29/637,638**

(22) Filed: **Feb. 20, 2018**

(51) **LOC (12) Cl.** **22-01**

(52) **U.S. Cl.**
USPC **D22/109**

(58) **Field of Classification Search**

USPC D22/108, 109, 110; D15/139; D8/381
CPC F41A 19/11; F41A 17/54; F41A 33/00;
F41G 1/26; F41G 1/16; F41G 1/30; F41C
27/00; F41C 23/16

See application file for complete search history.

(56) **References Cited**

U.S. PATENT DOCUMENTS

1,363,553	A *	12/1920	Barringer	F41G 1/12 42/145
D301,512	S *	6/1989	Novak	D22/109
4,841,659	A *	6/1989	Williams	F41G 1/38 42/119
D305,146	S *	12/1989	Novak	D22/109
D305,561	S *	1/1990	Novak	D22/109
D351,449	S *	10/1994	Dagley	D22/109
D352,087	S *	11/1994	Stevens	D22/109
D361,366	S *	8/1995	Emerson	D22/109
D363,334	S *	10/1995	De Oliveira Masina	D22/109
D432,618	S *	10/2000	Wilson	D22/100
D435,282	S *	12/2000	Ling, Jr.	D22/108
6,230,414	B1 *	5/2001	Glock	F41G 1/16 42/139
D447,205	S *	8/2001	Keng	D22/100

D492,747	S *	7/2004	LoRocco	D22/109
D512,118	S *	11/2005	Warren	D22/109
D520,099	S *	5/2006	Warren	D22/109
D520,592	S *	5/2006	Warren	D22/109
D521,101	S *	5/2006	Warren	D22/109
D526,695	S *	8/2006	Warren	D22/109
D527,068	S *	8/2006	Warren	D22/109
D531,693	S *	11/2006	Warren	D22/109

(Continued)

Primary Examiner — Karen S Acker

Assistant Examiner — Steven B Reinholdt, Jr.

(74) *Attorney, Agent, or Firm* — Miller Nash Graham & Dunn LLP

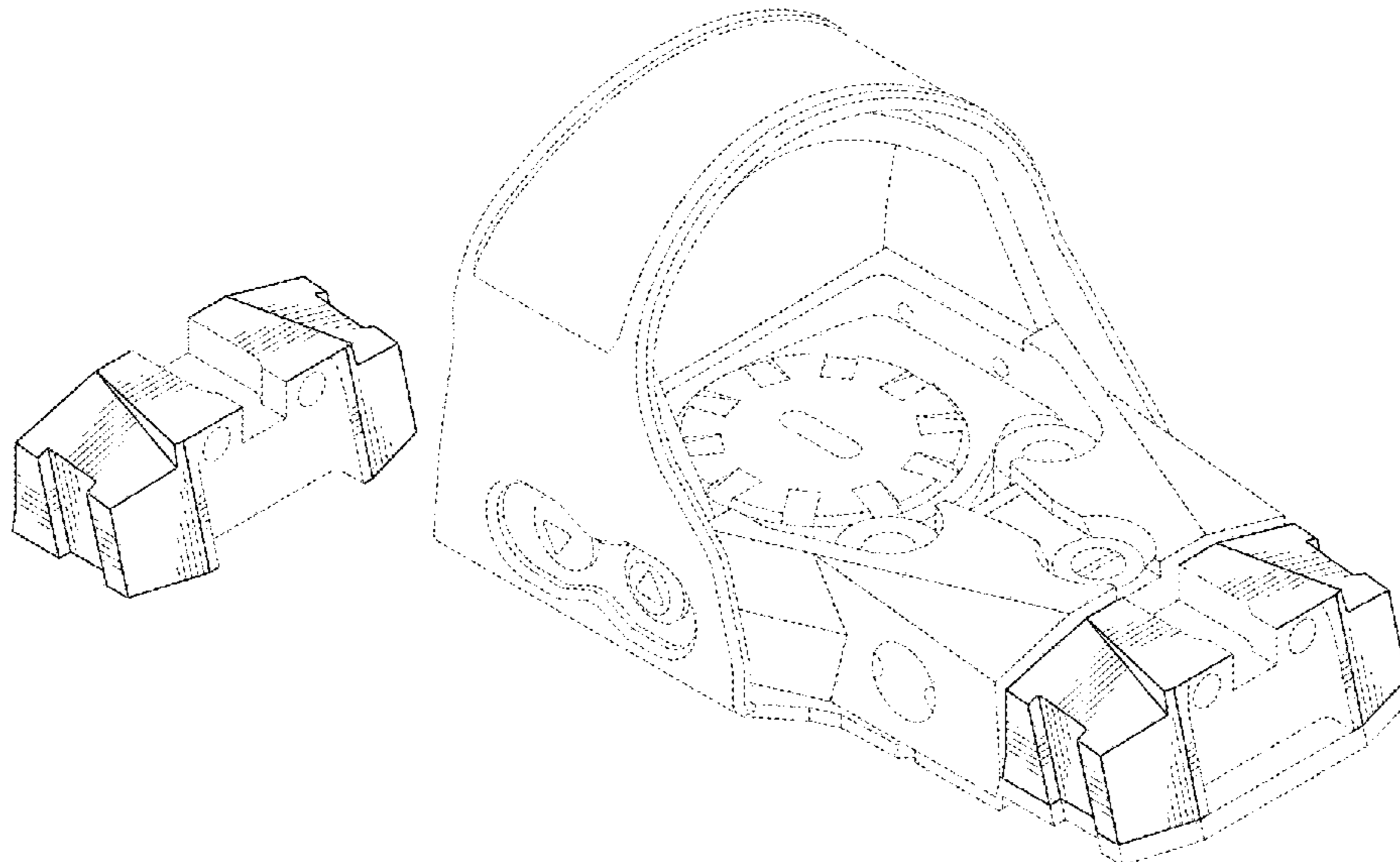
(57) **CLAIM**

The ornamental design for a rear pistol sight, as shown and described.

DESCRIPTION

FIG. 1 is a top perspective view of a rear pistol sight showing our new design;
 FIG. 2 is a bottom perspective view thereof;
 FIG. 3 is a top view thereof;
 FIG. 4 is a left side elevation view thereof;
 FIG. 5 is a front elevation view thereof;
 FIG. 6 is a right side elevation view thereof;
 FIG. 7 is a bottom view thereof;
 FIG. 8 is a rear elevation view thereof;
 FIG. 9 is a perspective view thereof showing the rear pistol sight in an unclaimed operating environment; and,
 FIG. 10 is a perspective view thereof showing the rear pistol sight in additional unclaimed operating environment.
 The broken lines and areas illustrating the top groove, frontal face, and bottom mounting features adjacent to shaded surfaces depict portions of the rear pistol sight that form no part of the claimed design. In FIGS. 9 and 10, operating environments drawn in broken line are included to show the rear pistol sight in positions of use and form no part of the claimed design.

1 Claim, 3 Drawing Sheets



(56)

References Cited

U.S. PATENT DOCUMENTS

D533,616 S *	12/2006	Warren	D22/109	D669,554 S *	10/2012	Warren	D22/109
D533,617 S *	12/2006	Warren	D22/109	D686,294 S *	7/2013	Ziegler	D22/108
D534,986 S *	1/2007	Warren	D22/109	8,635,800 B2 *	1/2014	Glimpse	F41G 1/02
D541,897 S *	5/2007	Warren	D22/109					42/132
7,210,261 B2 *	5/2007	Arachequesne	F41G 1/16	D716,410 S *	10/2014	Wallgren	D22/109
				42/111	D733,831 S *	7/2015	Dueck	D22/109
D560,744 S *	1/2008	Warren	D22/108	D739,913 S *	9/2015	Nevils	D22/109
7,451,566 B1 *	11/2008	Price	F41G 1/01	D742,471 S *	11/2015	Golovaty	D22/109
				42/111	D760,863 S *	7/2016	Wallgren	D22/109
7,526,890 B1 *	5/2009	Keng	F41G 1/18	D786,386 S *	5/2017	Sapio	D22/109
				42/111	D815,233 S *	4/2018	Toner	D22/104
D611,113 S *	3/2010	Kay	D22/109	D828,896 S *	9/2018	Geissele	D22/108
D638,902 S *	5/2011	Emde	D22/109	D830,489 S *	10/2018	Cross	D22/108
D662,170 S *	6/2012	Keng	D22/109	D836,179 S *	12/2018	Mezynski	D22/108
D663,375 S *	7/2012	Glimpse	D22/109	D838,804 S *	1/2019	Hillman	D22/109
D667,522 S *	9/2012	Glimpse	D22/109	D846,058 S *	4/2019	Dennett	D22/108
D667,523 S *	9/2012	Glimpse	D22/109	2007/0240354 A1 *	10/2007	Warren	F41G 1/10
D667,524 S *	9/2012	Glimpse	D22/109					42/111
D667,525 S *	9/2012	Glimpse	D22/109	2016/0223292 A1 *	8/2016	Pulit, Jr.	F41G 1/26
					2016/0327366 A1 *	11/2016	Campean	F41G 1/18
					2018/0087871 A1 *	3/2018	Toner	F41G 1/16
					2019/0017781 A1 *	1/2019	Noonan	F41G 1/18

* cited by examiner

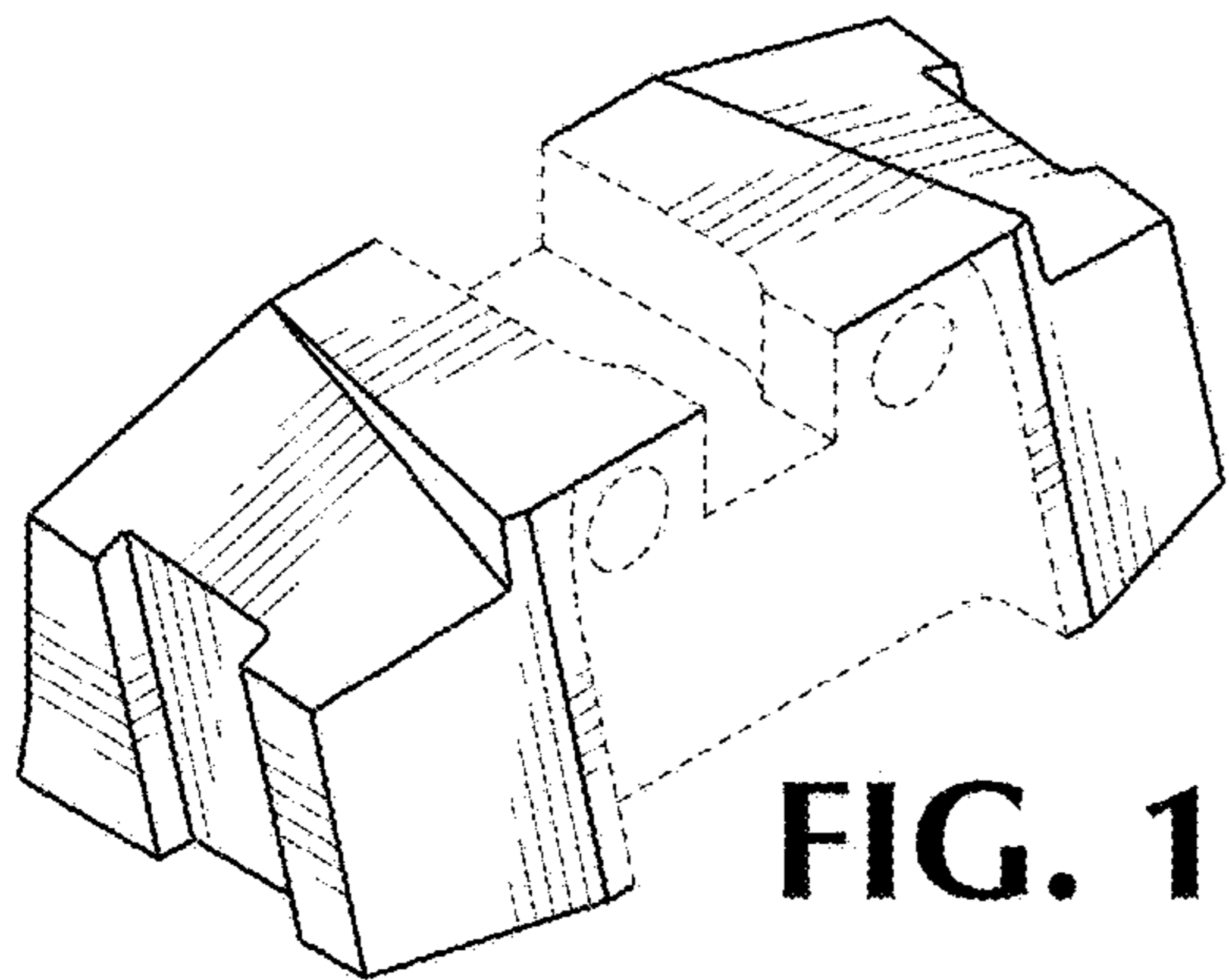


FIG. 1

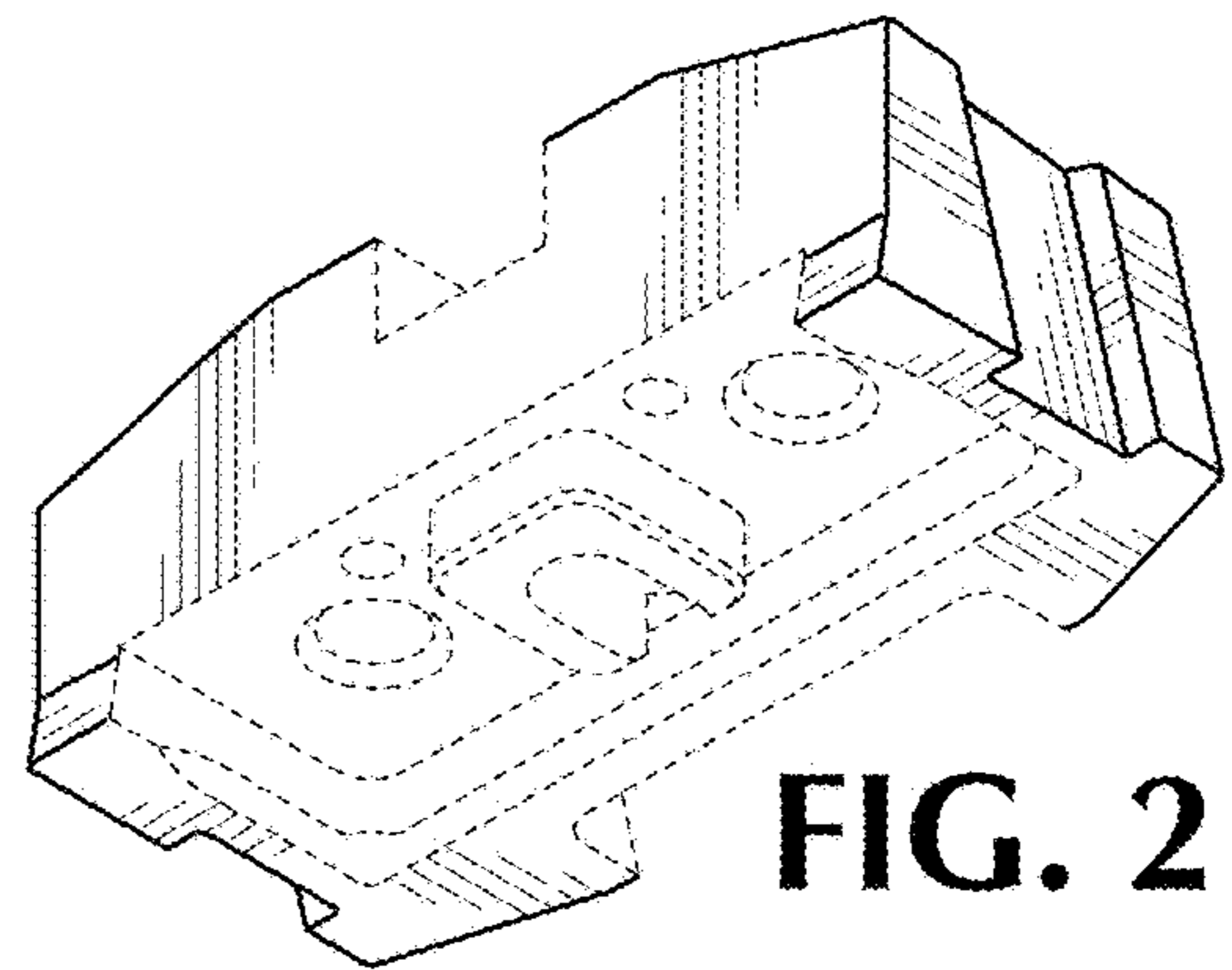


FIG. 2

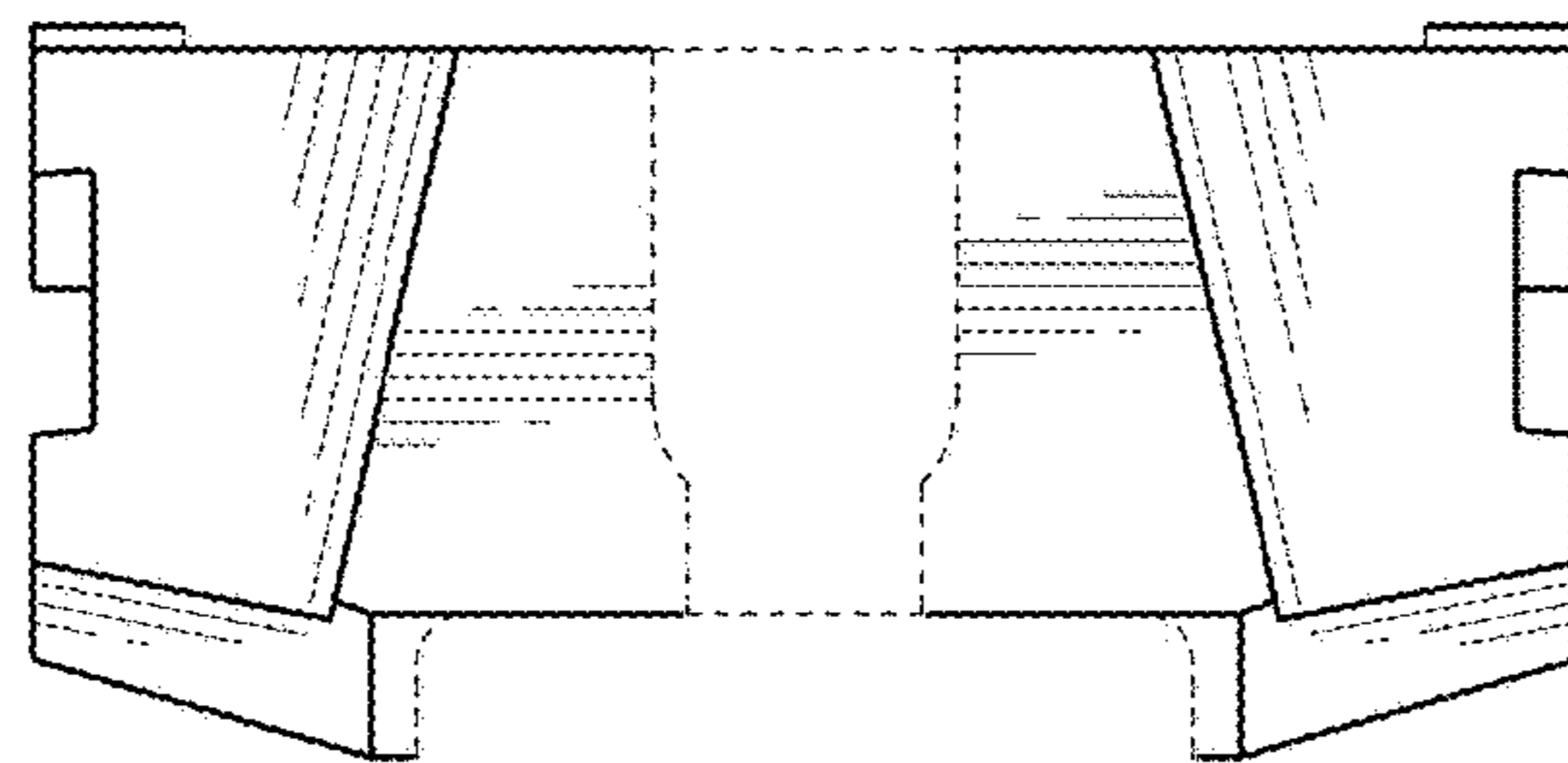


FIG. 3

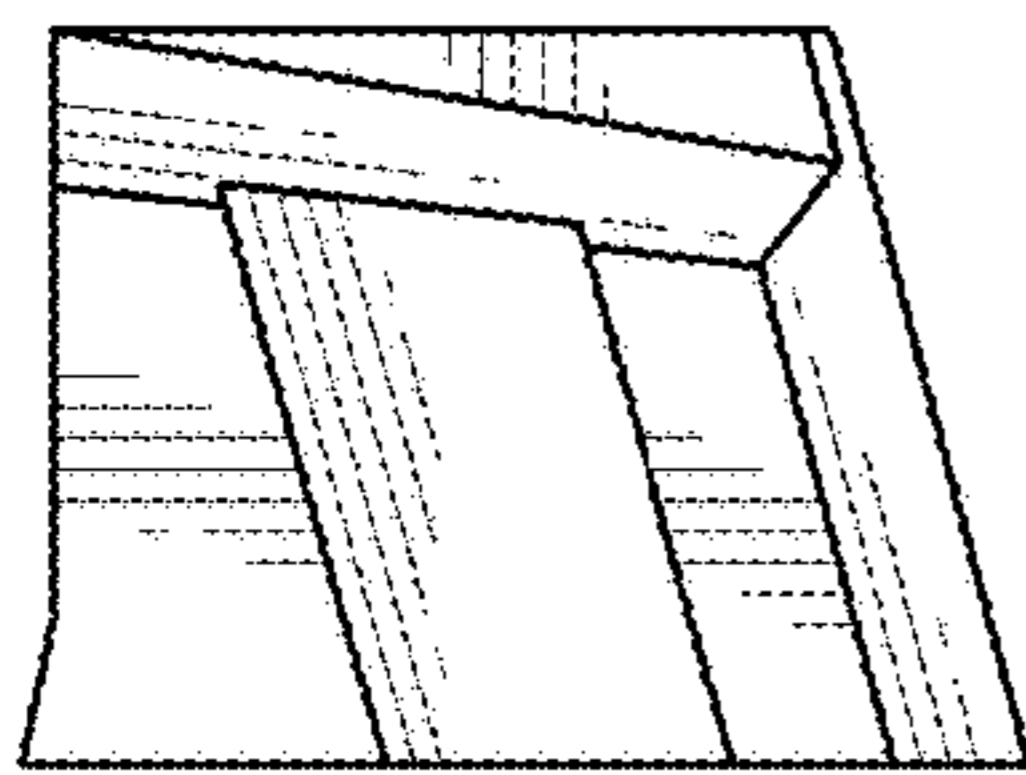


FIG. 4

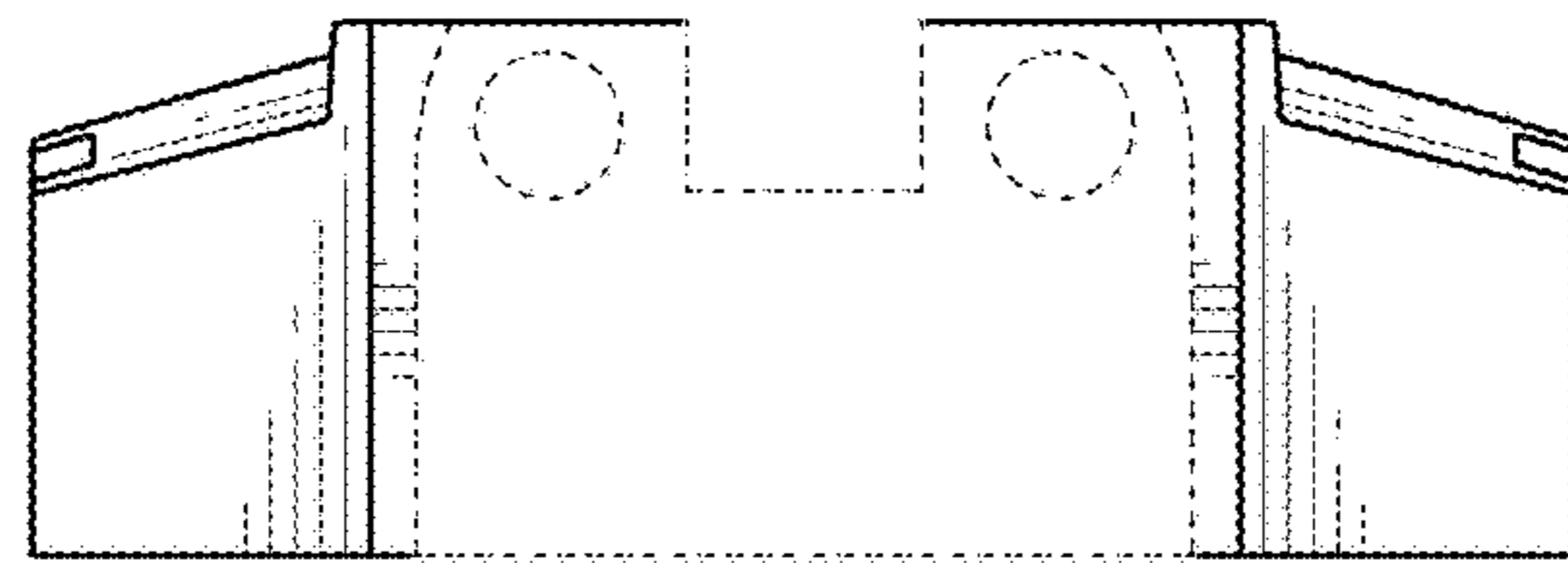


FIG. 5

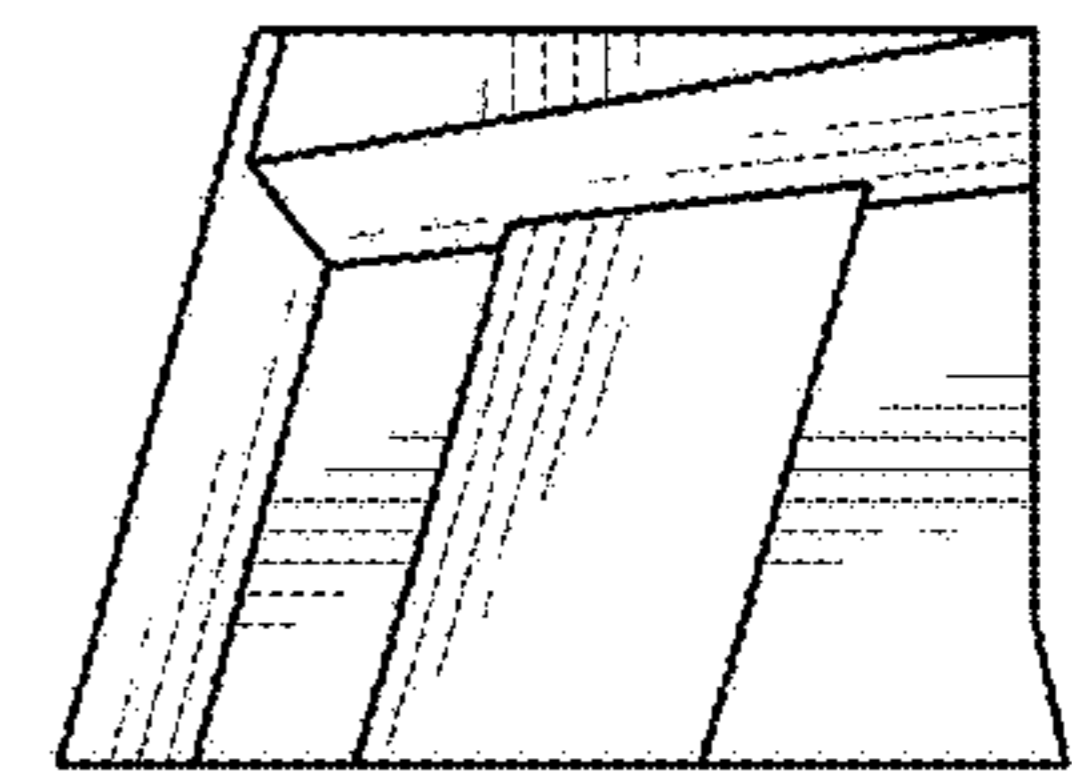


FIG. 6

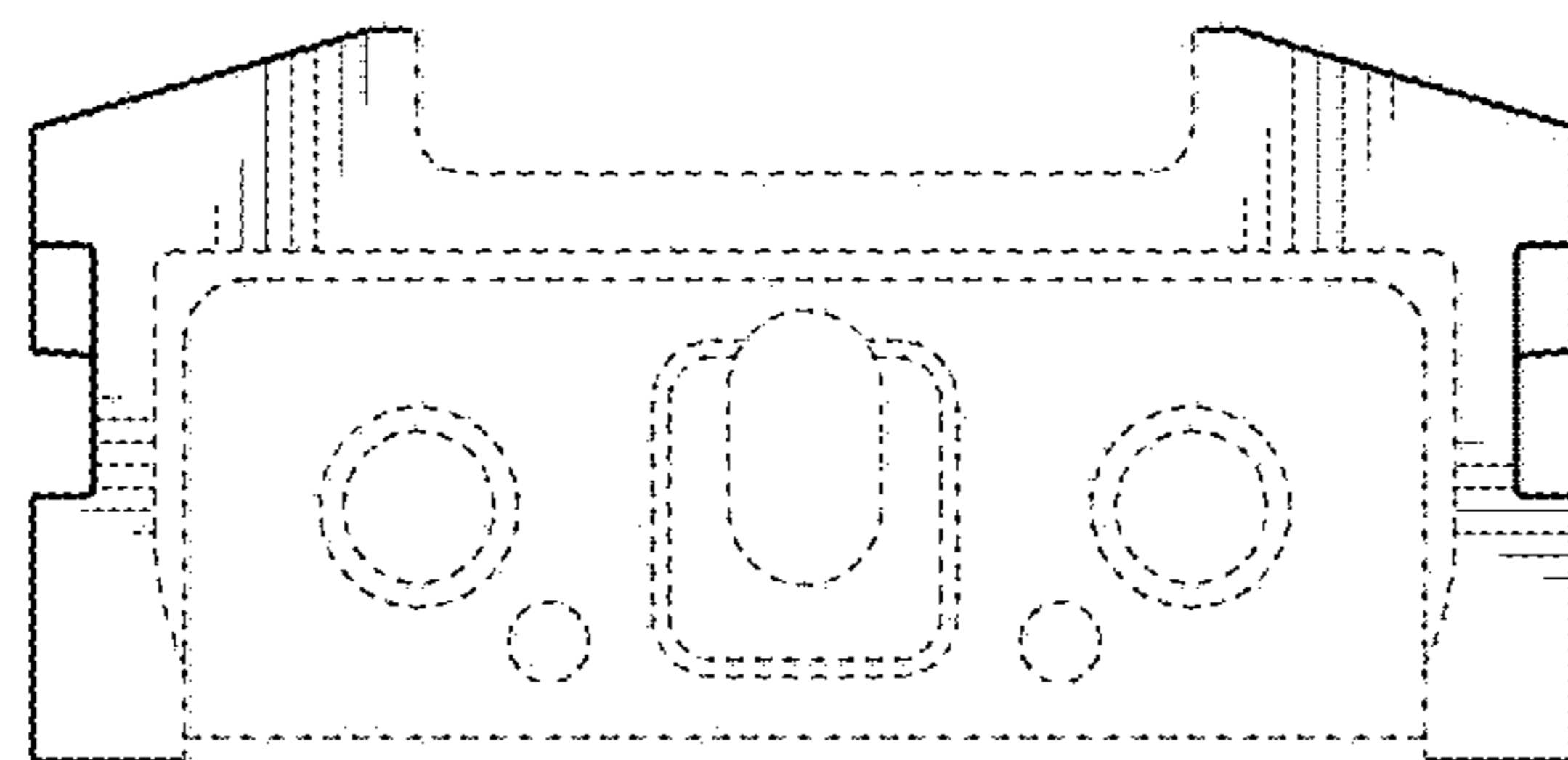


FIG. 7

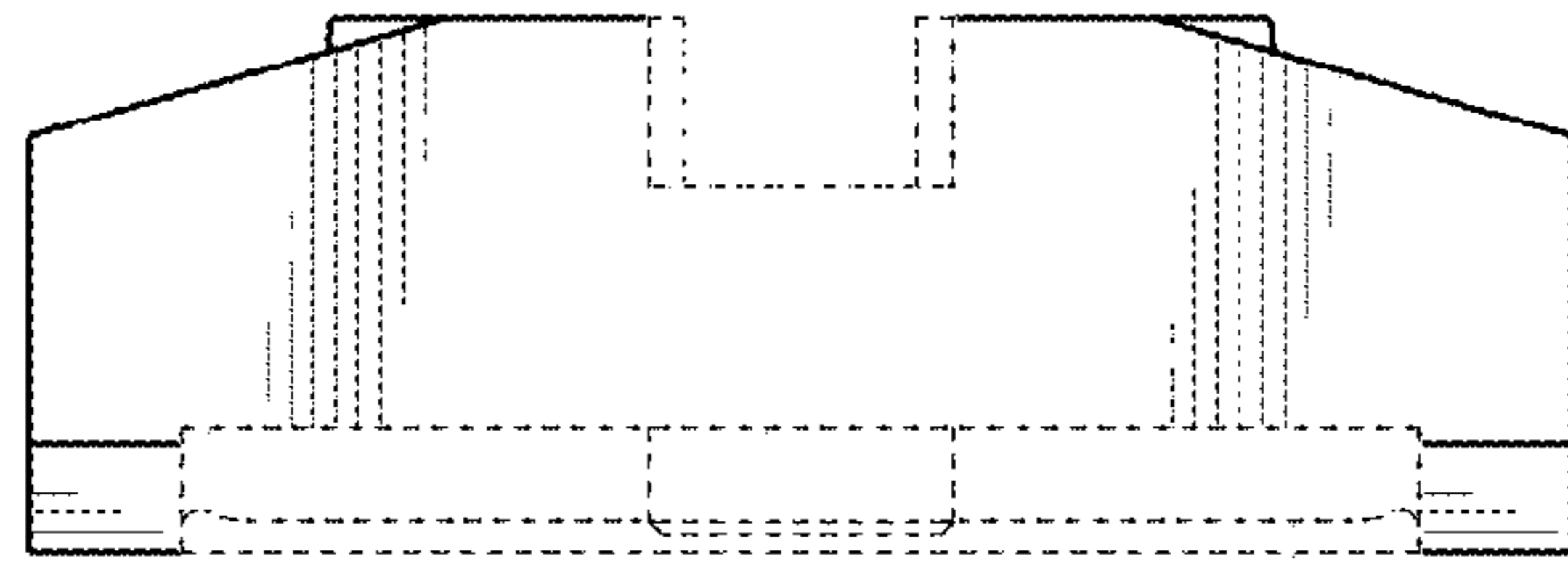


FIG. 8

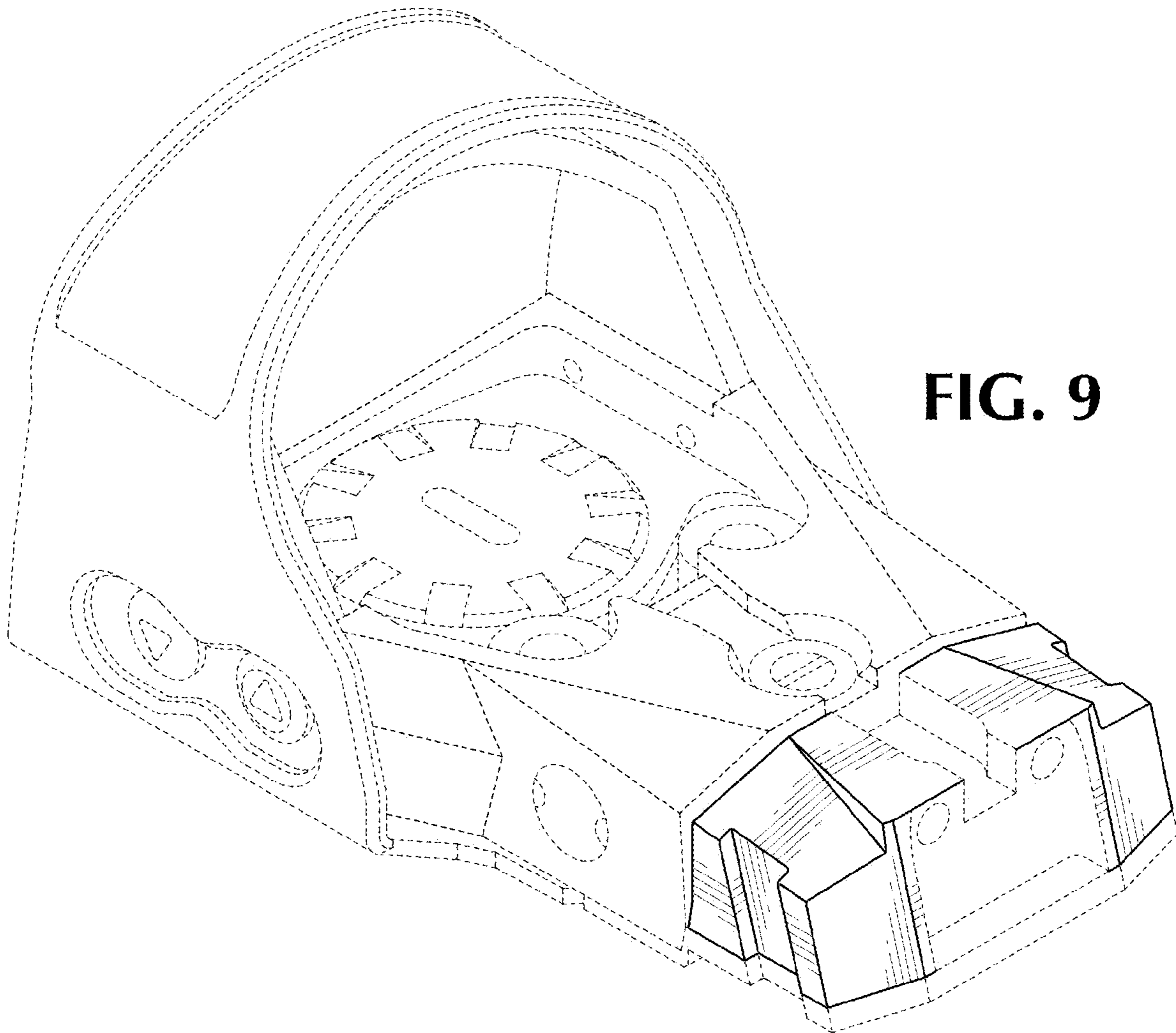


FIG. 9

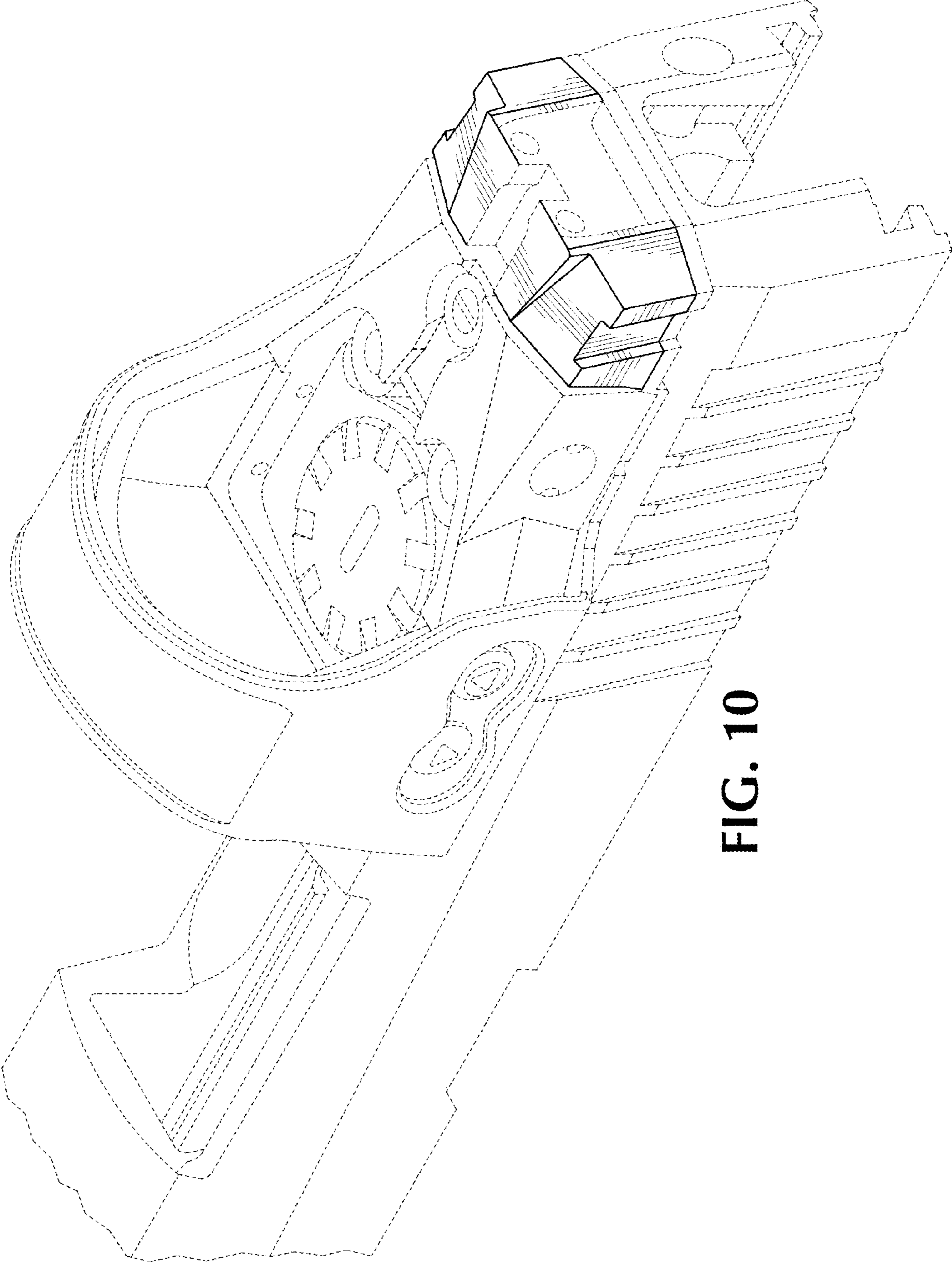


FIG. 10