



US00D877843S

(12) **United States Design Patent**
Yu

(10) **Patent No.:** **US D877,843 S**

(45) **Date of Patent:** **** Mar. 10, 2020**

(54) **PICATINNY RAIL**

(71) Applicant: **Herman Yu**, San Gabriel, CA (US)

(72) Inventor: **Herman Yu**, San Gabriel, CA (US)

(**) Term: **15 Years**

(21) Appl. No.: **29/632,926**

(22) Filed: **Jan. 11, 2018**

(51) **LOC (12) Cl.** **22-01**

(52) **U.S. Cl.**
USPC **D22/108**

(58) **Field of Classification Search**

USPC D22/108-109; 89/111-133; 359/399,
359/823, 744; 42/104, 105, 111-113,
42/116, 120, 124-126, 127-129,
42/141-148, 133-140; 33/227, 229
CPC F41G 1/00; F41G 1/01; F41G 1/02; F41G
1/06; F41G 1/065; F41G 1/08; F41G
1/10; F41G 1/12; F41G 1/14; F41G 1/30;
F41G 1/32; F41G 1/38; F41G 1/40; F41G
1/42; F41G 1/44; F41G 1/46; F41G
1/383; F41G 1/387; F41G 1/393; F41G
3/00; F41G 3/005; F41G 3/02; F41G
3/04; F41G 3/06; F41G 3/14; F41G
11/002; F41G 11/003; F41G 11/004;
F41G 11/005

See application file for complete search history.

(56) **References Cited**

U.S. PATENT DOCUMENTS

5,941,489 A * 8/1999 Fanelli F41G 1/16
248/298.1
D435,885 S * 1/2001 Wallace D22/100
D486,878 S * 2/2004 Selvaggio F41G 11/003
D22/110
D510,120 S * 9/2005 Ding D22/108
D533,618 S * 12/2006 Swan D22/110
D577,094 S * 9/2008 Wallace D22/109

(Continued)

OTHER PUBLICATIONS

EGW Picatinny Rail Scope Mount, Black, Remington 700 Short Action, 0 MOA, Amazon.com, Date first listed on Amazon: Apr. 5, 2011, [online], [site visited Jul. 20, 2019]. <URL: https://www.amazon.com/Picatinny-Scope-Mount-Remington-Action/dp/B004VIAKV6> (Year: 2011).*

(Continued)

Primary Examiner — T Chase Nelson

Assistant Examiner — Jonathan J. Han

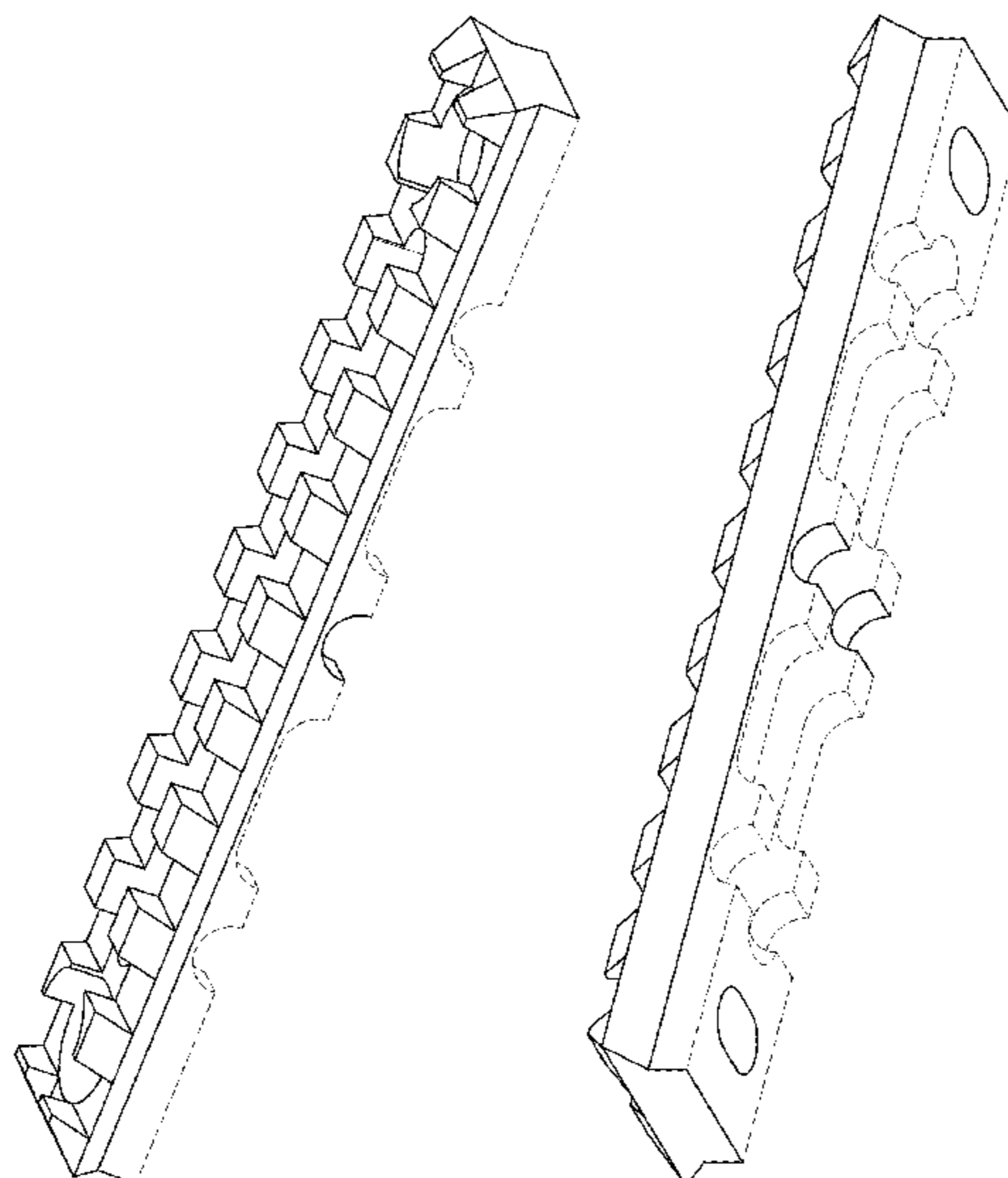
(57) **CLAIM**

The ornamental design for a picatinny rail, as shown and described.

DESCRIPTION

FIG. 1 is a perspective view of a picatinny rail in accordance with my new design;
FIG. 2 is another perspective view of the picatinny rail in FIG. 1;
FIG. 3 is a top view thereof;
FIG. 4 is a bottom view thereof;
FIG. 5 is a front view thereof, which is identical to a rear view thereof;
FIG. 6 is a left side view thereof, which is identical to a right side view thereof;
FIG. 7 is a perspective view of another embodiment of a picatinny rail in accordance with my new design;
FIG. 8 is another perspective view of the picatinny rail in FIG. 7;
FIG. 9 is a top view thereof;
FIG. 10 is a bottom view thereof;
FIG. 11 is a front view thereof;
FIG. 12 is a rear view thereof; and,
FIG. 13 is a left side view thereof, which is identical to a right side view thereof.
The broken lines illustrate environmental structure, which forms no part of the claimed design.

1 Claim, 13 Drawing Sheets



(56)

References Cited

U.S. PATENT DOCUMENTS

7,481,016 B2 * 1/2009 Gonzalez F41C 23/16
42/124
D634,389 S * 3/2011 Lin D22/108
D637,683 S * 5/2011 Salsman, Sr. D22/108
D654,134 S * 2/2012 Edge D22/108
D676,095 S * 2/2013 Peterson D22/108
D683,417 S * 5/2013 Daniel D22/108
8,468,733 B2 * 6/2013 Deros F41G 11/003
42/90
8,522,469 B2 * 9/2013 Baker F41G 11/003
42/124
D705,885 S * 5/2014 Peterson D22/108
8,763,299 B2 * 7/2014 Clifton F41G 1/387
42/125
D718,832 S * 12/2014 Huang D22/108
D725,223 S * 3/2015 Heidkamp D22/109
D726,864 S * 4/2015 Huang, Sr. D22/108
9,015,982 B1 * 4/2015 Powers F41G 1/44
42/119
D737,923 S * 9/2015 Norberg D22/108
D737,925 S * 9/2015 Norberg D22/109
D768,256 S * 10/2016 Bentley D22/108
D837,330 S * 1/2019 Ding D22/108

D839,378 S * 1/2019 Storch D22/110
10,240,901 B1 * 3/2019 Cheng F41G 11/003
D848,078 S * 5/2019 Griffith D29/122
2007/0169393 A1 * 7/2007 Frost F41G 11/003
42/124
2014/0360077 A1 * 12/2014 Miller F41C 27/00
42/84
2018/0094904 A1 * 4/2018 Greenwood F41G 11/003

OTHER PUBLICATIONS

Henry Long Ranger Picatinny Rail (H014 Series), HenryPride.com, [online], [site visited Jul. 20, 2019]. <URL: <https://henrypride.com/products/henry-long-ranger-picatinny-rail?variant=1033736093721>> (Year: 2019).*

EGW Ruger 10-22 Picatinny Rail Scope Mount Up to 25% Off, OpticsPlanet.com, [online], [site visited Jul. 20, 2019]. <URL: <https://www.opticsplanet.com/egw-ruger-10-22-picatinny-rail-scope-mount.html>> (Year: 2019).*

Magpul—M-LOK Aluminum Picatinny Rail Section, RedBarnArmory.com, [online], [site visited Jul. 20, 2019]. <URL: <https://www.redbarnarmory.com/Magpul-M-LOK-Aluminum-Picatinny-Rail-Section-p/mag580series.htm>> (Year: 2019).*

* cited by examiner

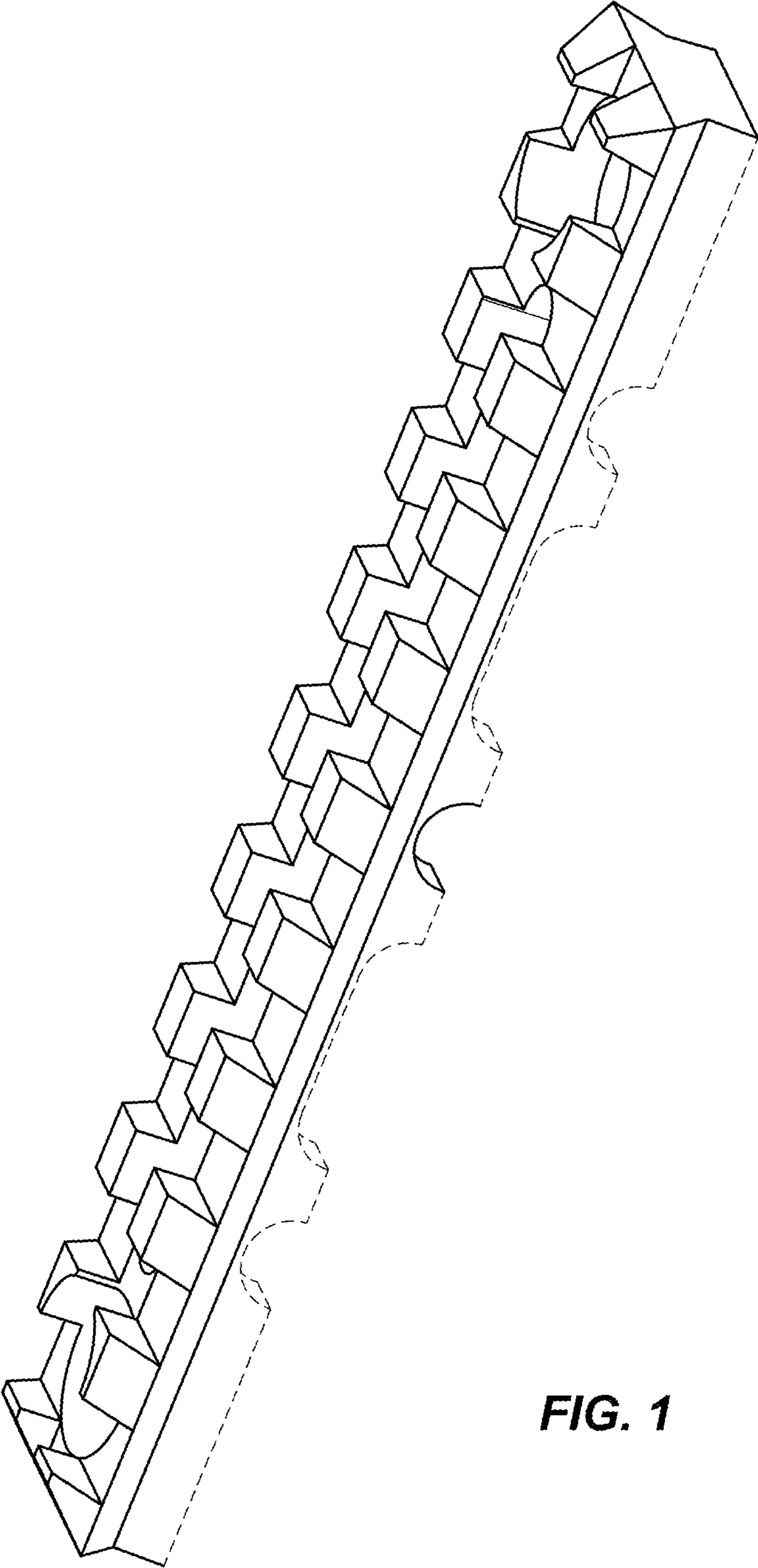


FIG. 1

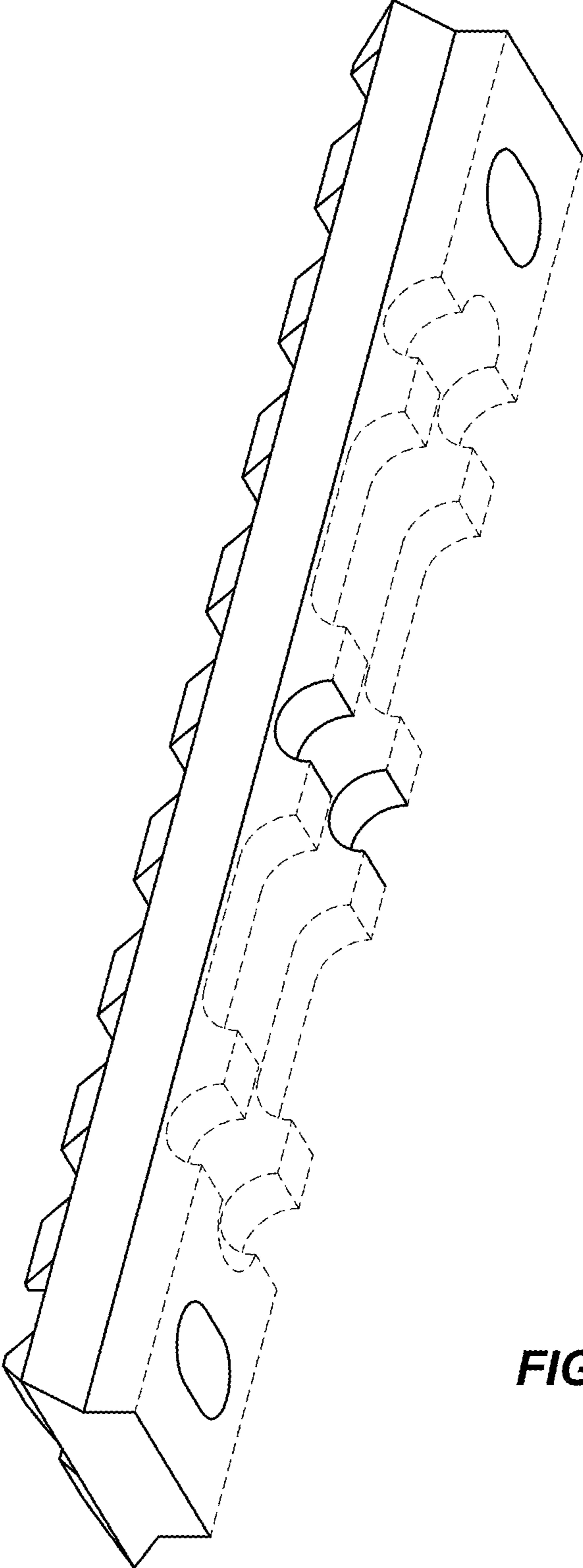


FIG. 2

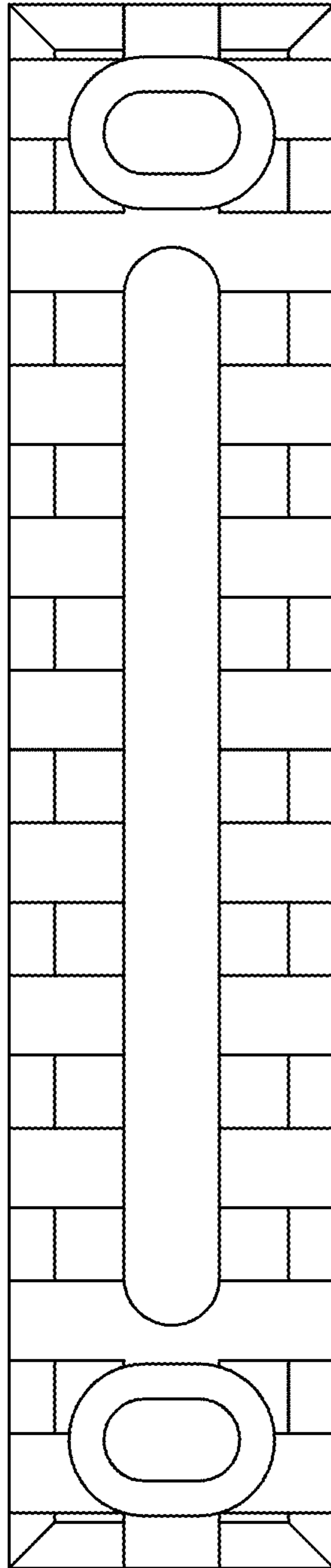


FIG. 3

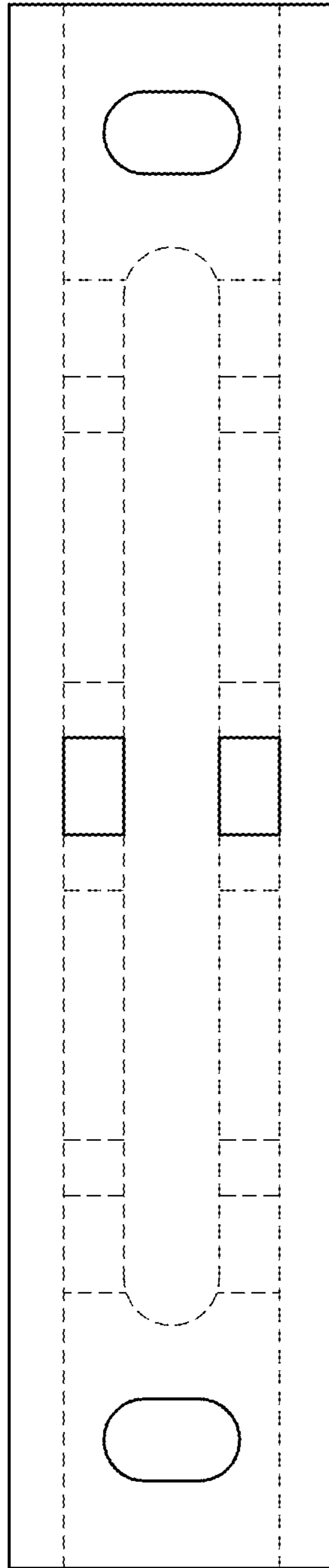


FIG. 4

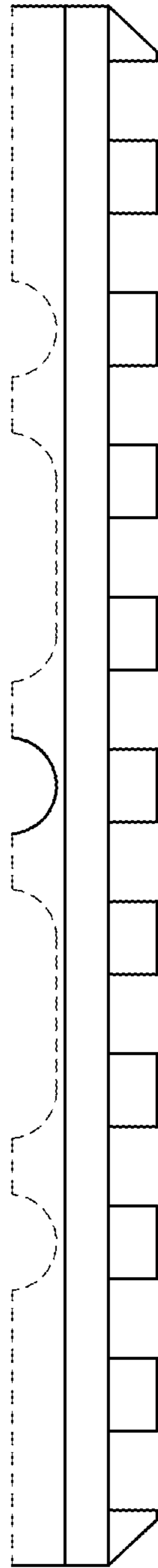


FIG. 5

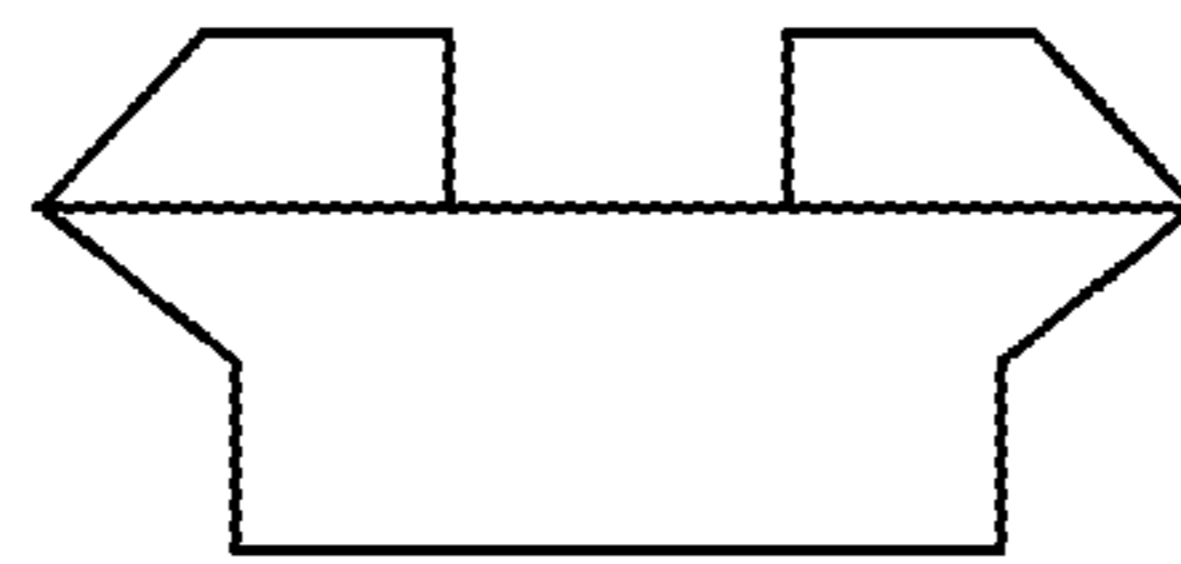


FIG. 6

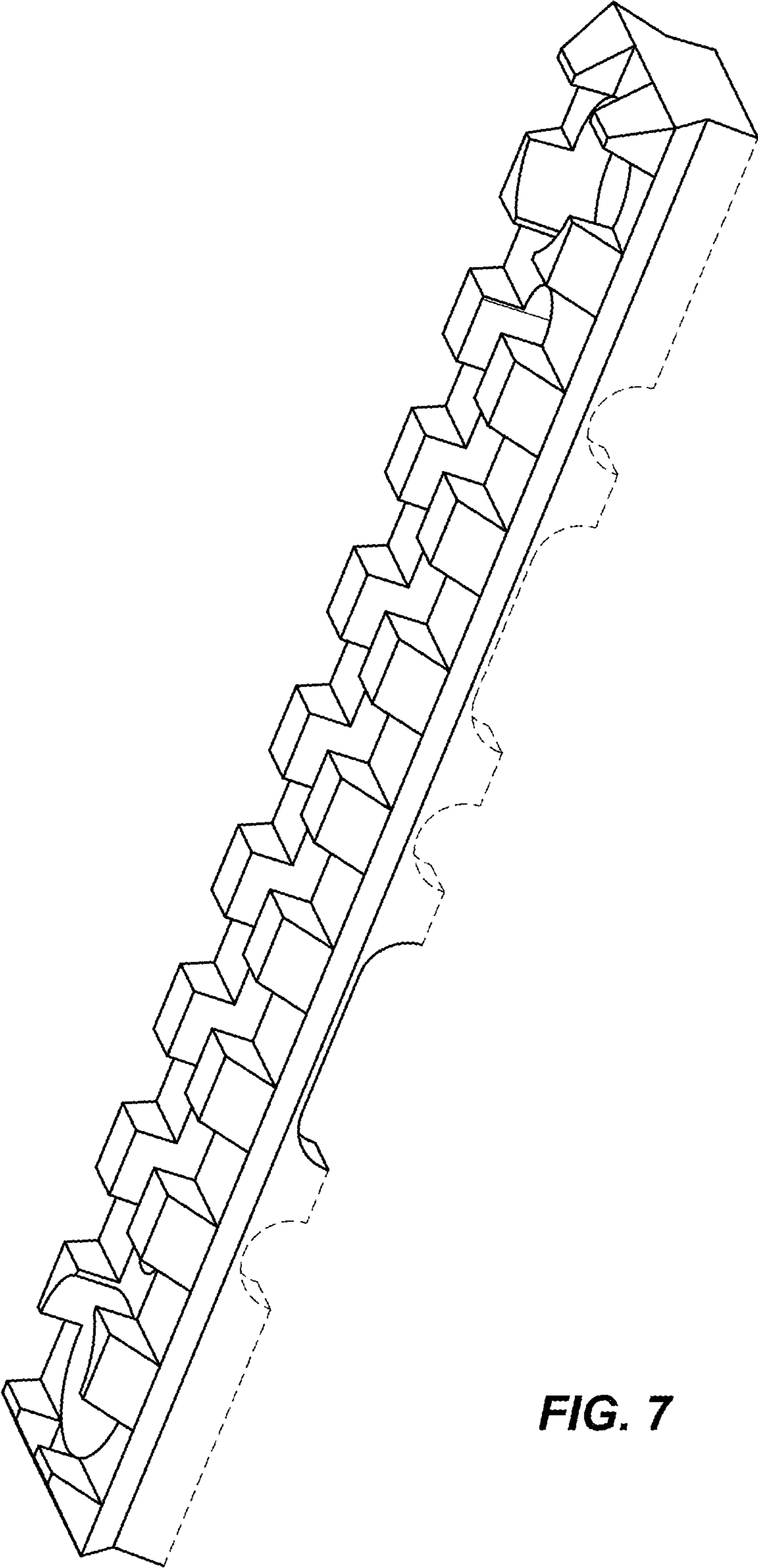


FIG. 7

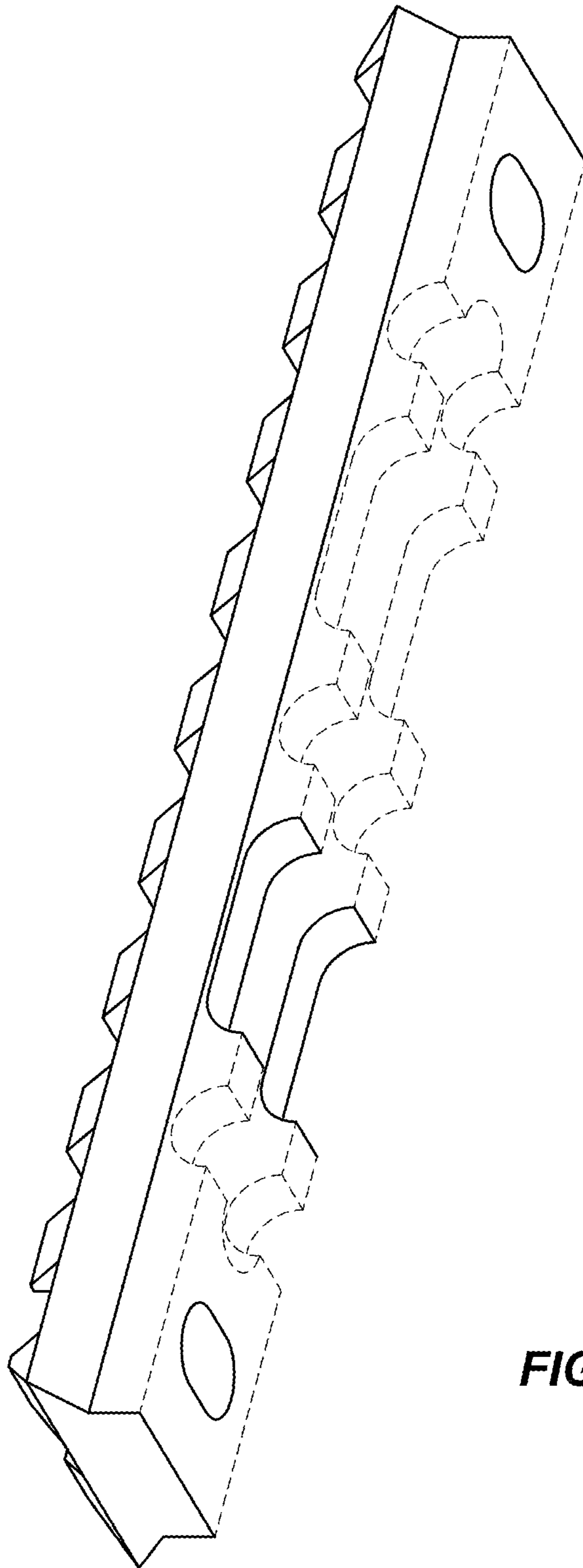


FIG. 8

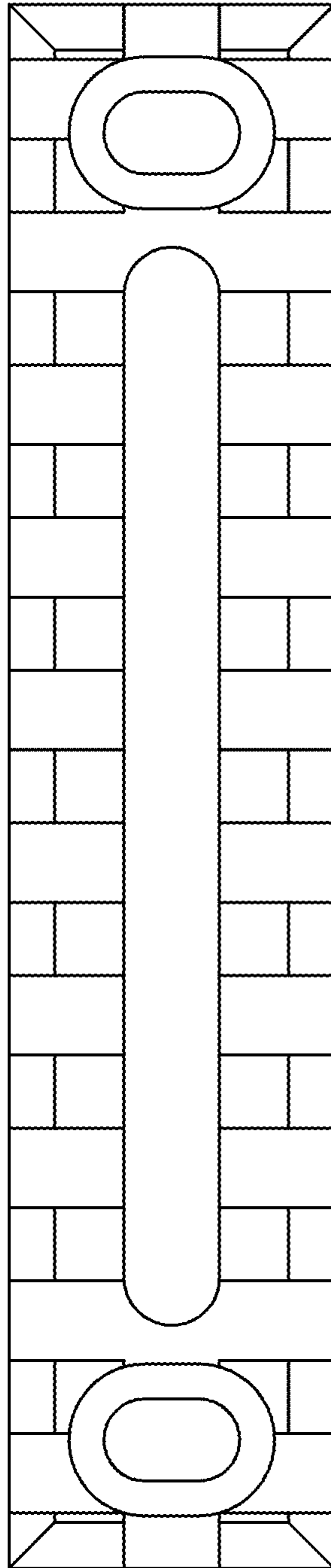


FIG. 9

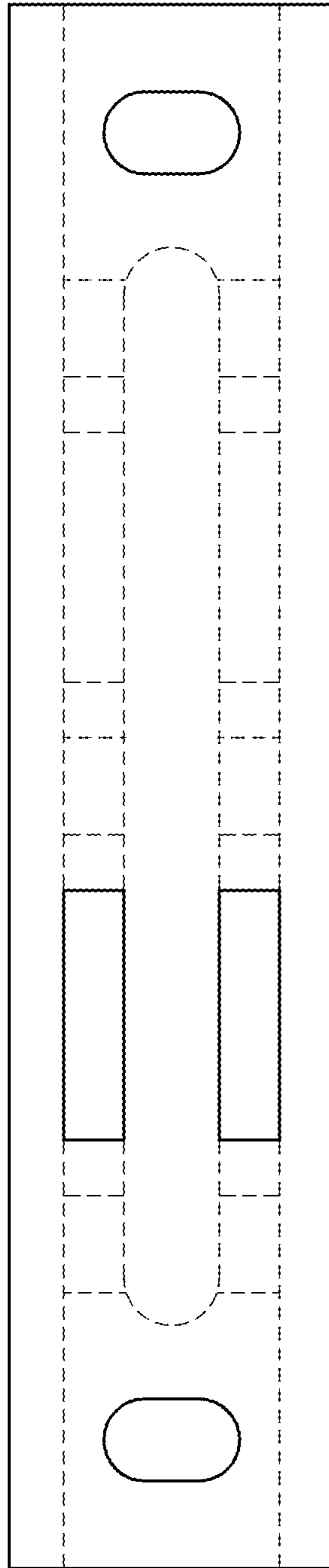


FIG. 10

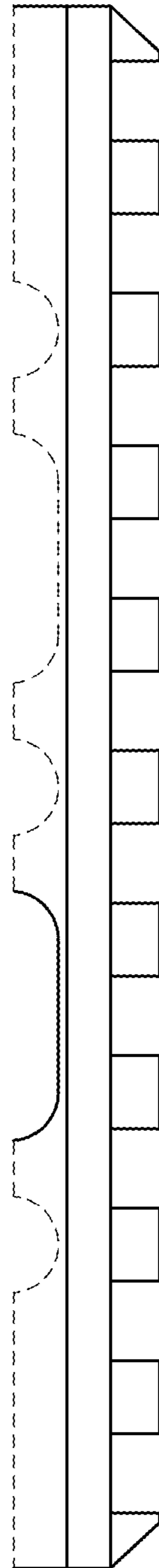


FIG. 11

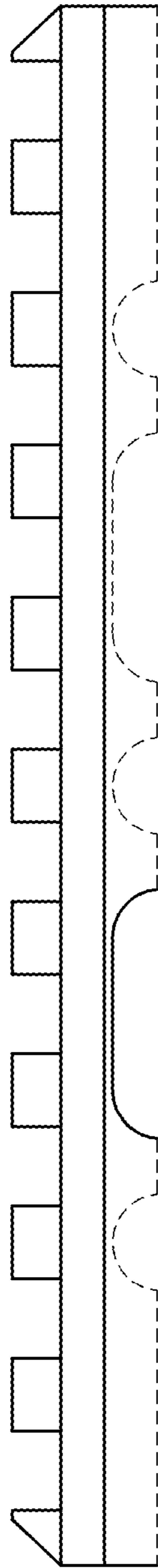


FIG. 12

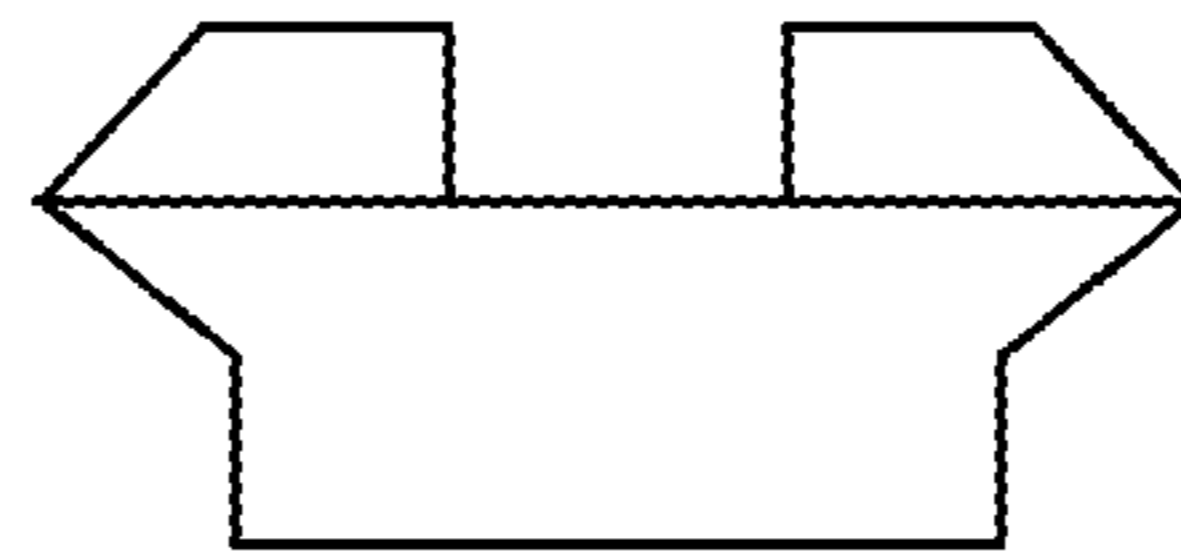


FIG. 13