



US00D877842S

(12) **United States Design Patent**  
**Yu**

(10) **Patent No.:** **US D877,842 S**  
(45) **Date of Patent:** **\*\* Mar. 10, 2020**

- (54) **VERTICAL GRIP**
- (71) Applicant: **Herman Yu**, San Gabriel, CA (US)
- (72) Inventor: **Herman Yu**, San Gabriel, CA (US)
- (\*\*) Term: **15 Years**
- (21) Appl. No.: **29/632,925**
- (22) Filed: **Jan. 11, 2018**
- (51) **LOC (12) Cl.** ..... **22-01**
- (52) **U.S. Cl.**  
USPC ..... **D22/108**
- (58) **Field of Classification Search**  
USPC ..... D22/100, 103, 108, 109, 199;  
362/109–114; 42/90, 94, 114, 117,  
42/124–127, 131, 146; D8/68, 83, 303  
CPC ..... F41C 23/10; F41C 23/14; F41C 23/16;  
F41C 23/18  
See application file for complete search history.

- D637,260 S \* 5/2011 Swan ..... D22/109
- D644,707 S \* 9/2011 Faifer ..... D22/108
- 8,109,032 B2 \* 2/2012 Faifer ..... F41C 23/16  
362/110
- D660,934 S \* 5/2012 Faifer ..... D22/108
- D704,298 S \* 5/2014 Cheng ..... D22/109
- 9,228,797 B2 \* 1/2016 Anderson ..... F41C 23/16
- D749,186 S \* 2/2016 Cheng ..... D22/108
- 9,423,208 B1 \* 8/2016 Mahmalji ..... F41C 23/16
- D786,383 S \* 5/2017 Saadon ..... D22/108
- D786,384 S \* 5/2017 Saadon ..... D22/108

(Continued)

**OTHER PUBLICATIONS**

Bravo Company—Picatinny BCMGunfighter Short Vertical Grip, Brownells.com, [online], [site visited Jul. 20, 2019]. <URL: https://www.brownells.com/rifle-parts/grip-parts/vertical-grips/picatinny-bcmgunfighter-short-vertical-grip-prod59705.aspx> (Year: 2019).\*

(Continued)

*Primary Examiner* — T Chase Nelson  
*Assistant Examiner* — Jonathan J. Han

(56) **References Cited**

**U.S. PATENT DOCUMENTS**

- 7,111,424 B1 \* 9/2006 Moody ..... F41A 23/08  
42/72
- 7,121,034 B2 \* 10/2006 Keng ..... F41A 23/10  
42/71.01
- 7,222,451 B2 \* 5/2007 Keng ..... F41A 23/08  
42/127
- D566,219 S \* 4/2008 Moody ..... F41A 23/08  
D22/108
- 7,490,429 B2 \* 2/2009 Moody ..... F41A 23/08  
248/171
- D591,822 S \* 5/2009 Moody ..... D22/109
- 7,559,167 B1 \* 7/2009 Moody ..... F41C 23/16  
42/71.01
- D607,079 S \* 12/2009 Moody ..... D22/109
- D609,768 S \* 2/2010 Moody ..... D22/109
- D635,216 S \* 3/2011 Moody ..... D22/108
- 7,909,301 B2 \* 3/2011 Faifer ..... F16M 11/041  
248/166

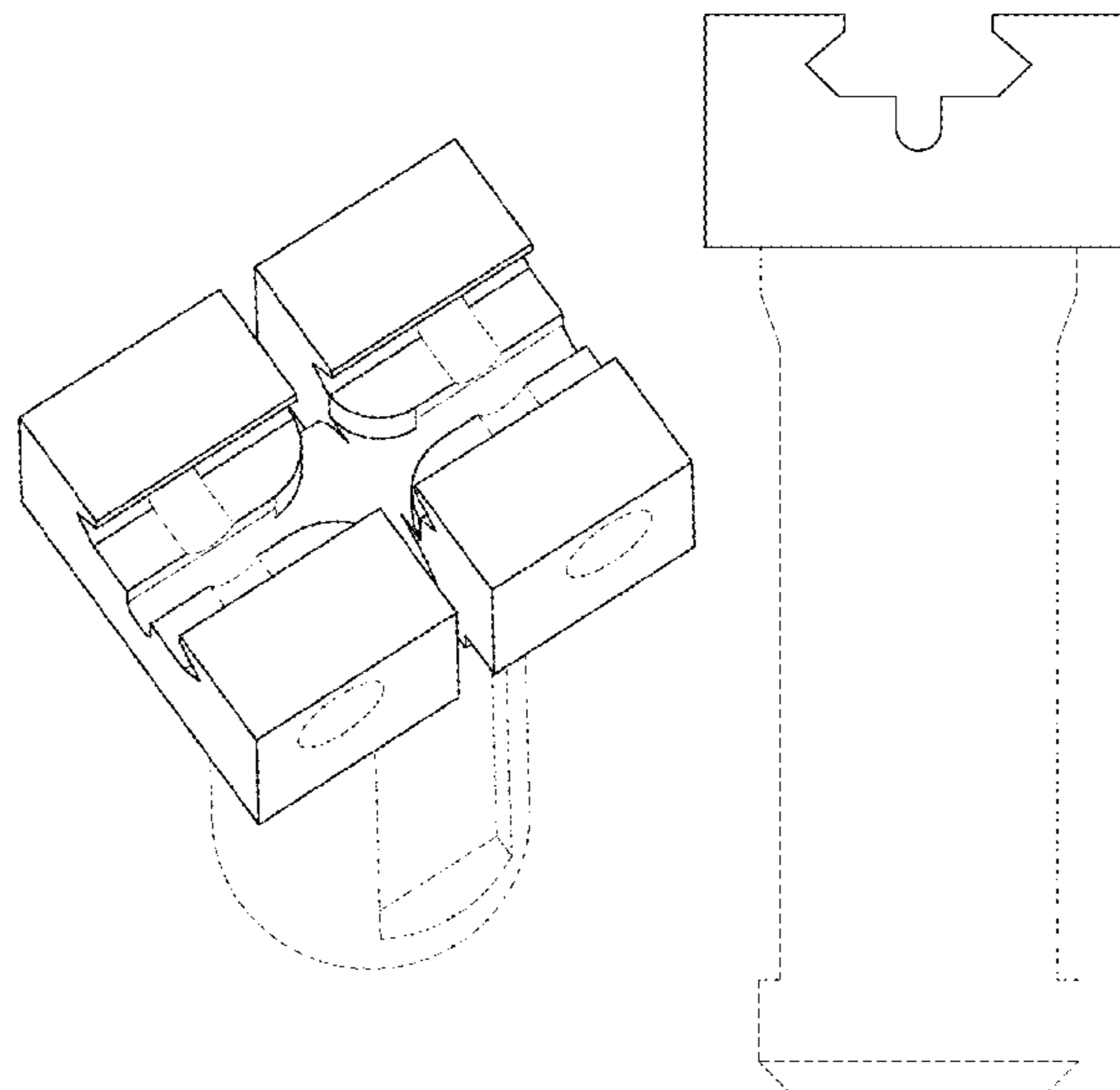
(57) **CLAIM**

The ornamental design for a vertical grip, as shown and described.

**DESCRIPTION**

FIG. 1 is a perspective view of a vertical grip in accordance with my new design;  
FIG. 2 is another perspective view thereof;  
FIG. 3 is a top view thereof;  
FIG. 4 is a bottom view thereof;  
FIG. 5 is a front view thereof, which is identical to a rear view thereof;  
FIG. 6 is a left side view thereof; and,  
FIG. 7 is a right side view thereof.  
The broken lines illustrate environmental structure, which forms no part of the claimed design.

**1 Claim, 7 Drawing Sheets**



(56)

References Cited

U.S. PATENT DOCUMENTS

D790,652	S *	6/2017	Gaddini	.....	D22/108
D833,564	S *	11/2018	Gaddini	.....	D22/108
2006/0277809	A1 *	12/2006	Moody	.....	F41A 23/08 42/72
2008/0010890	A1 *	1/2008	Vice	.....	F41C 23/16 42/72
2009/0038199	A1 *	2/2009	Oz	.....	F41A 23/10 42/94
2009/0056192	A1 *	3/2009	Oz	.....	F41A 23/08 42/94
2009/0193702	A1 *	8/2009	Lin	.....	F41C 23/16 42/72
2011/0179688	A1 *	7/2011	Ash, Jr.	.....	F41C 23/14 42/72
2012/0272557	A1 *	11/2012	Yan	.....	F41C 23/12 42/69.01
2014/0360079	A1 *	12/2014	Iannello	.....	F41G 11/003 42/90
2015/0300775	A1 *	10/2015	Combs	.....	F41C 23/16 42/72

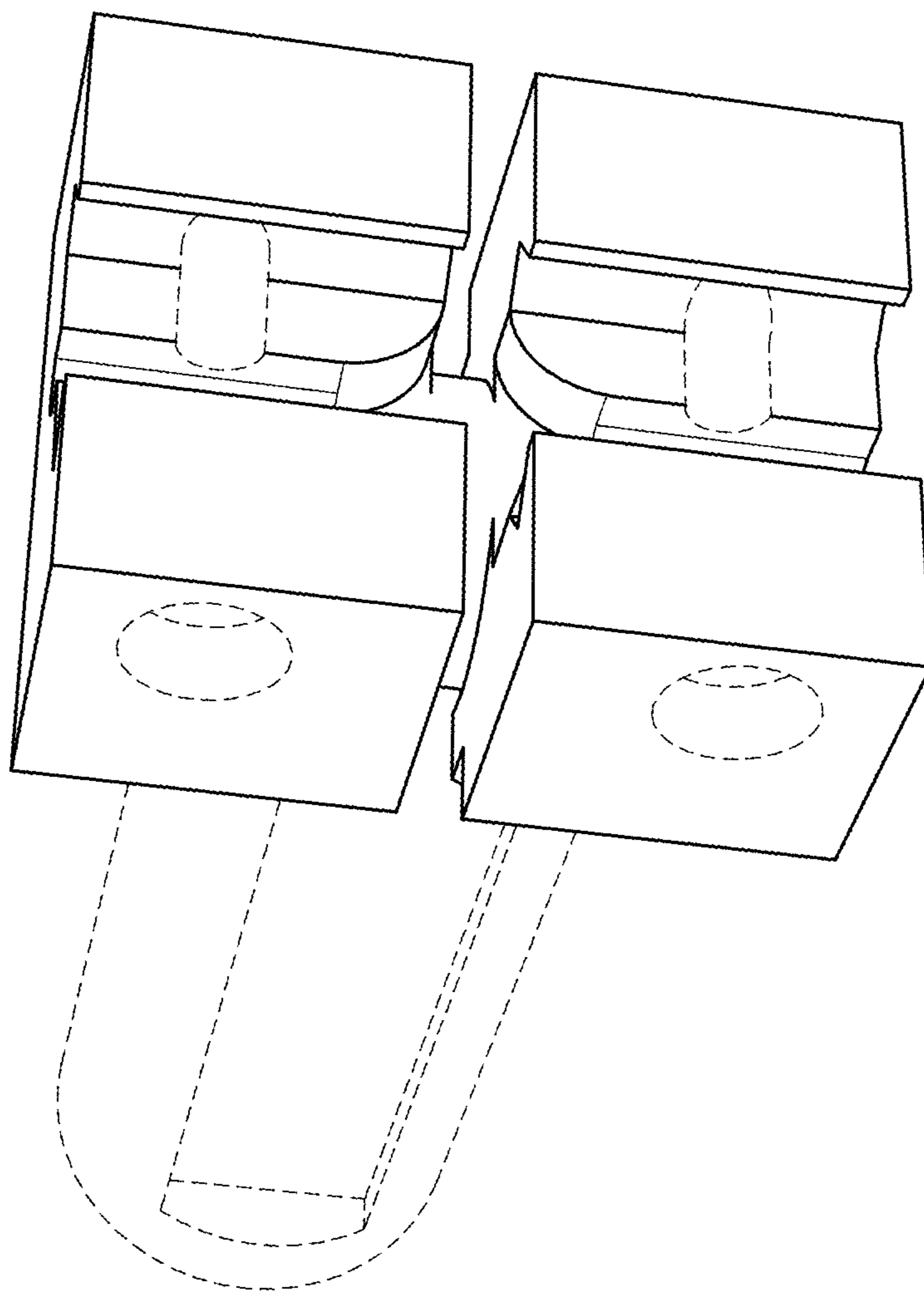
OTHER PUBLICATIONS

MID-Evil Industries—360 RFG Vertical Grip, Brownells.com, [online], [site visited Jul. 20, 2019]. <URL: <https://www.brownells.com/rifle-parts/grip-parts/vertical-grips/360-rfg-vertical-grip-prod121033.aspx>> (Year: 2019).\*

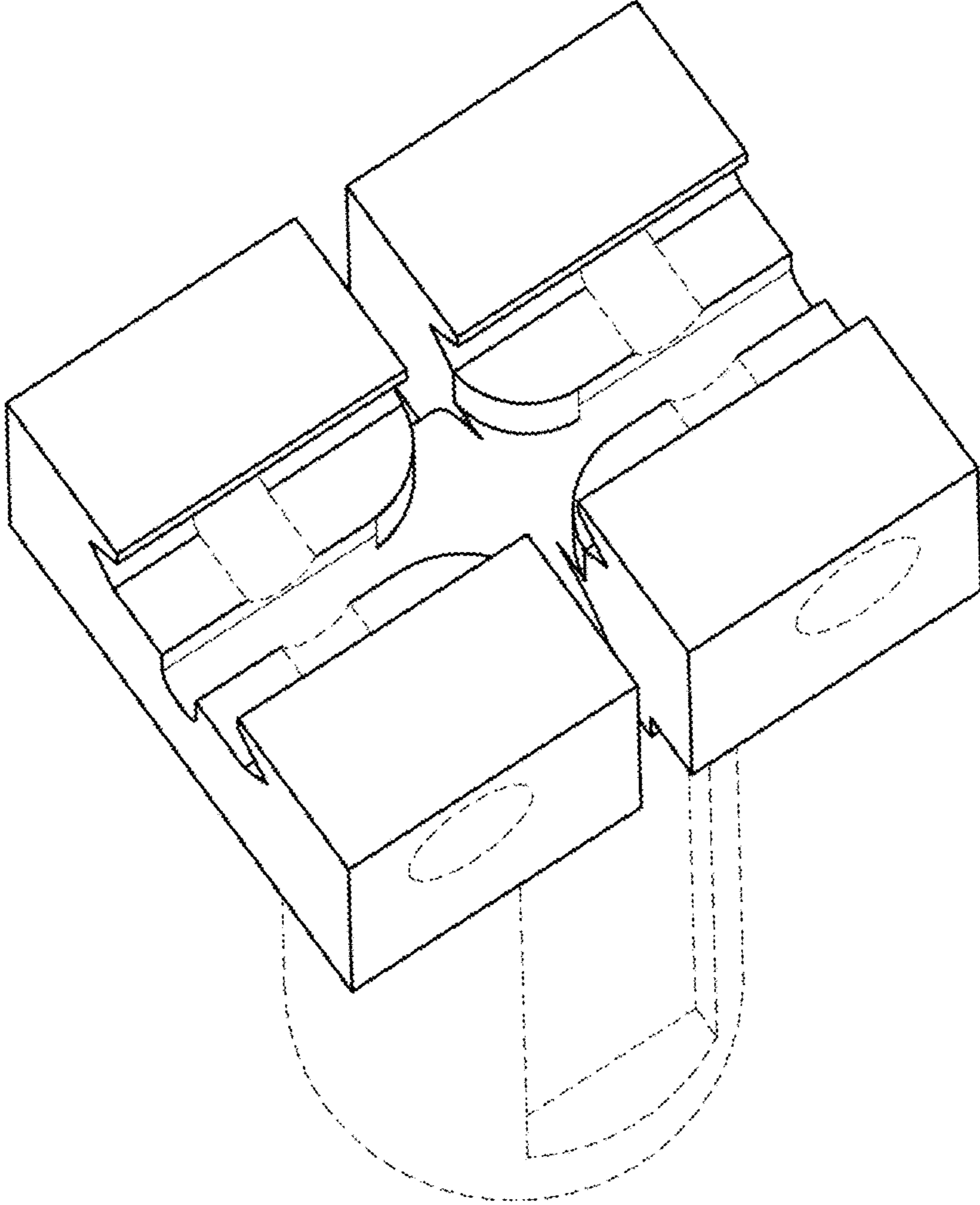
G&P Polymer Raider Vertical Grip (Color: Black), Evike.com, [online], [site visited Jul. 20, 2019]. <URL: <https://www.evike.com/products/27965/>> (Year: 2019).\*

Tango Down QD Short Vertical Grip—Black, DSGarms.com, [online], [site visited Jul. 20, 2019]. <URL: <https://dsgarms.com/rail-accessories-tdbgv-qdkblk/>> (Year: 2019).\*

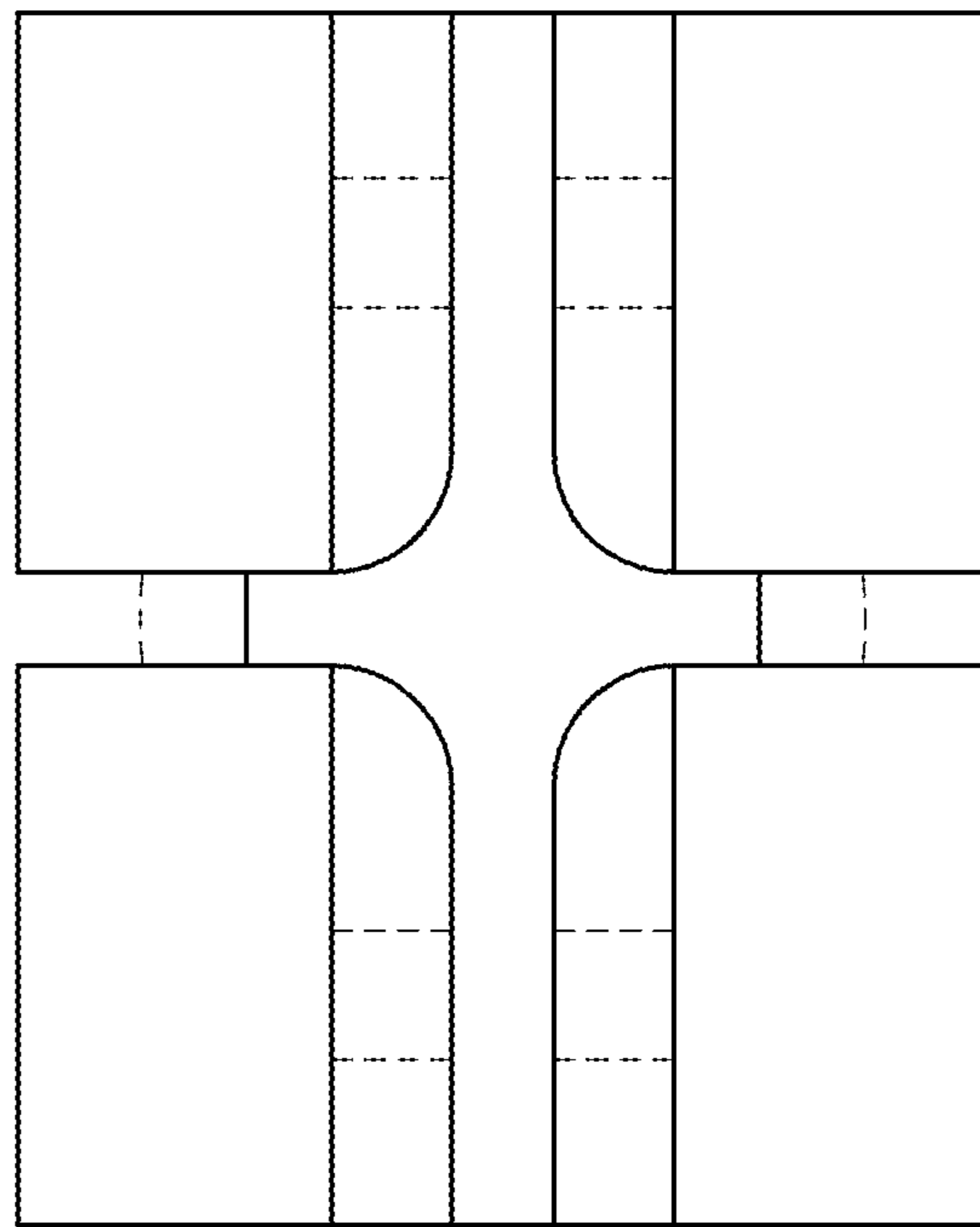
\* cited by examiner



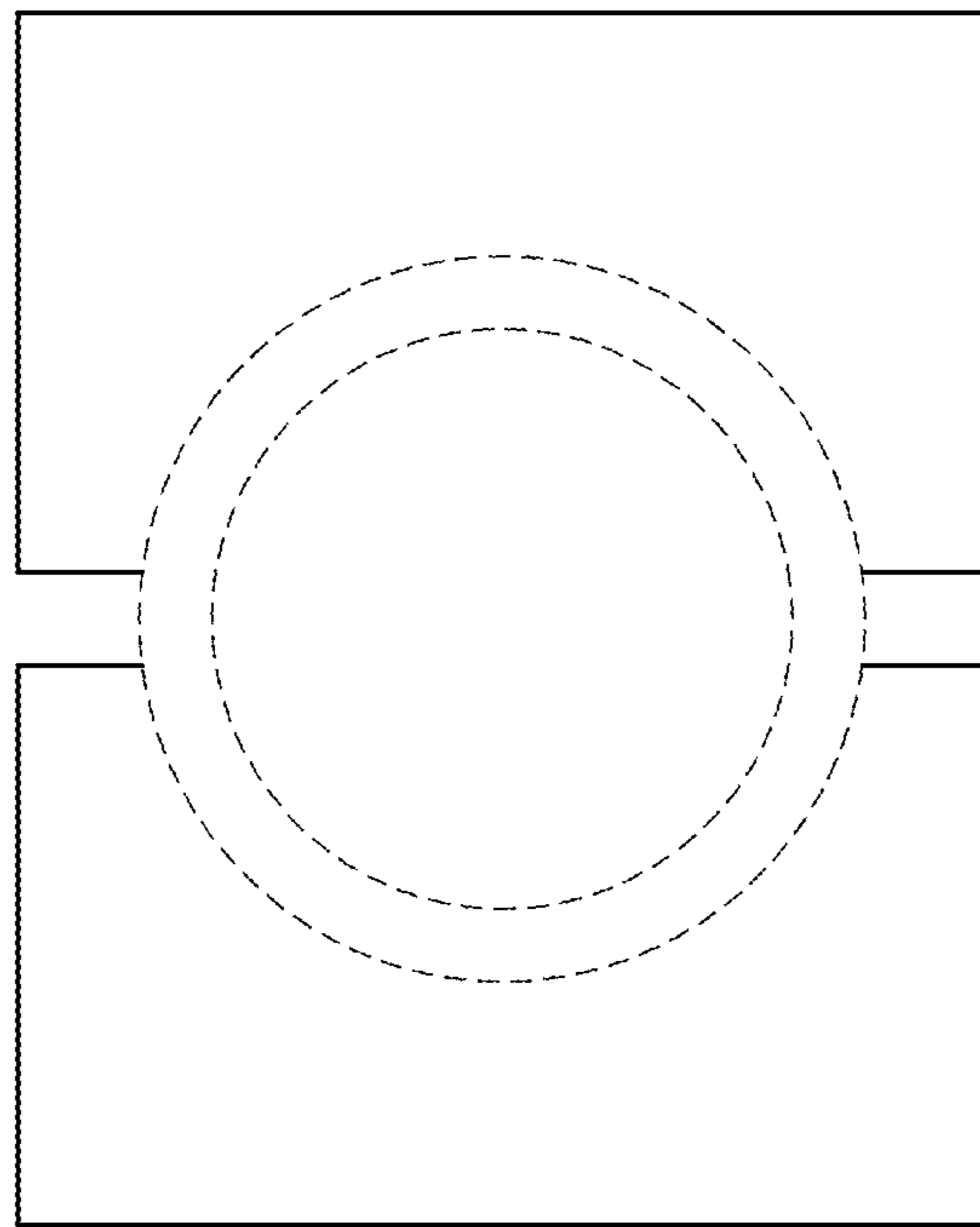
**FIG. 1**



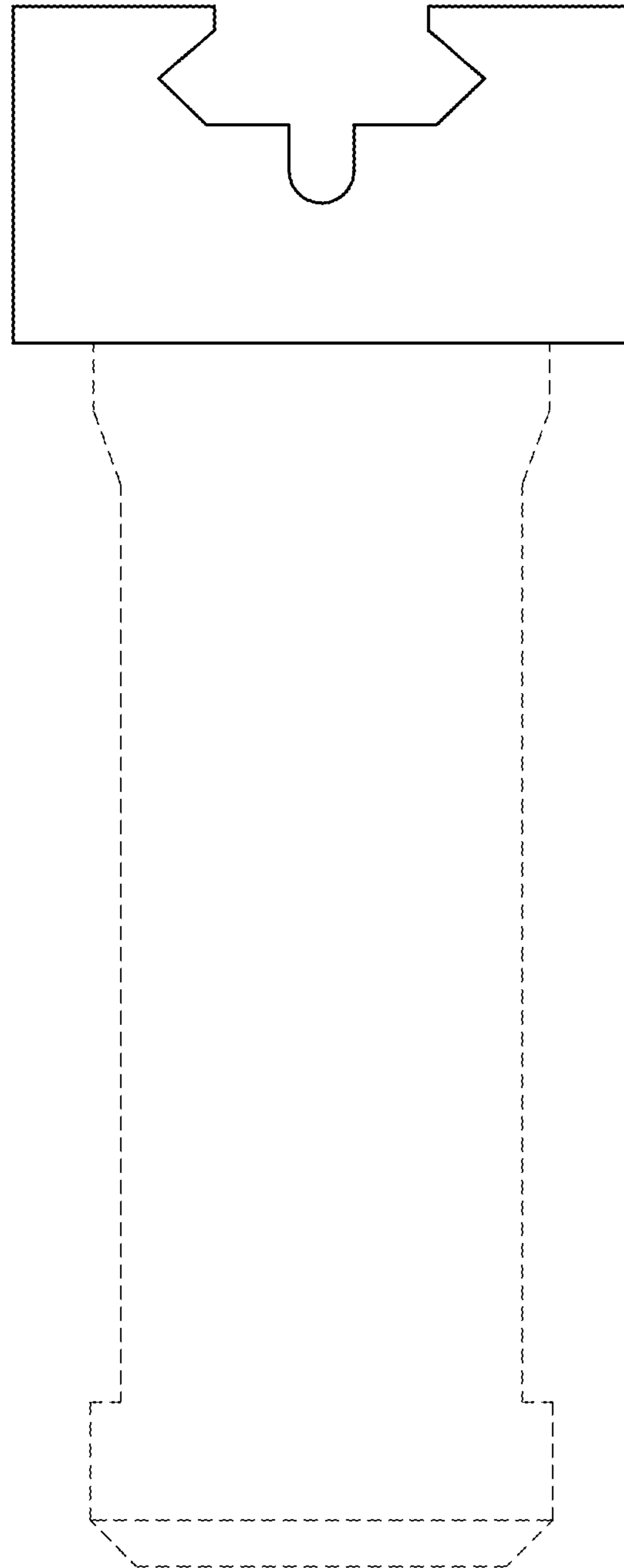
**FIG. 2**



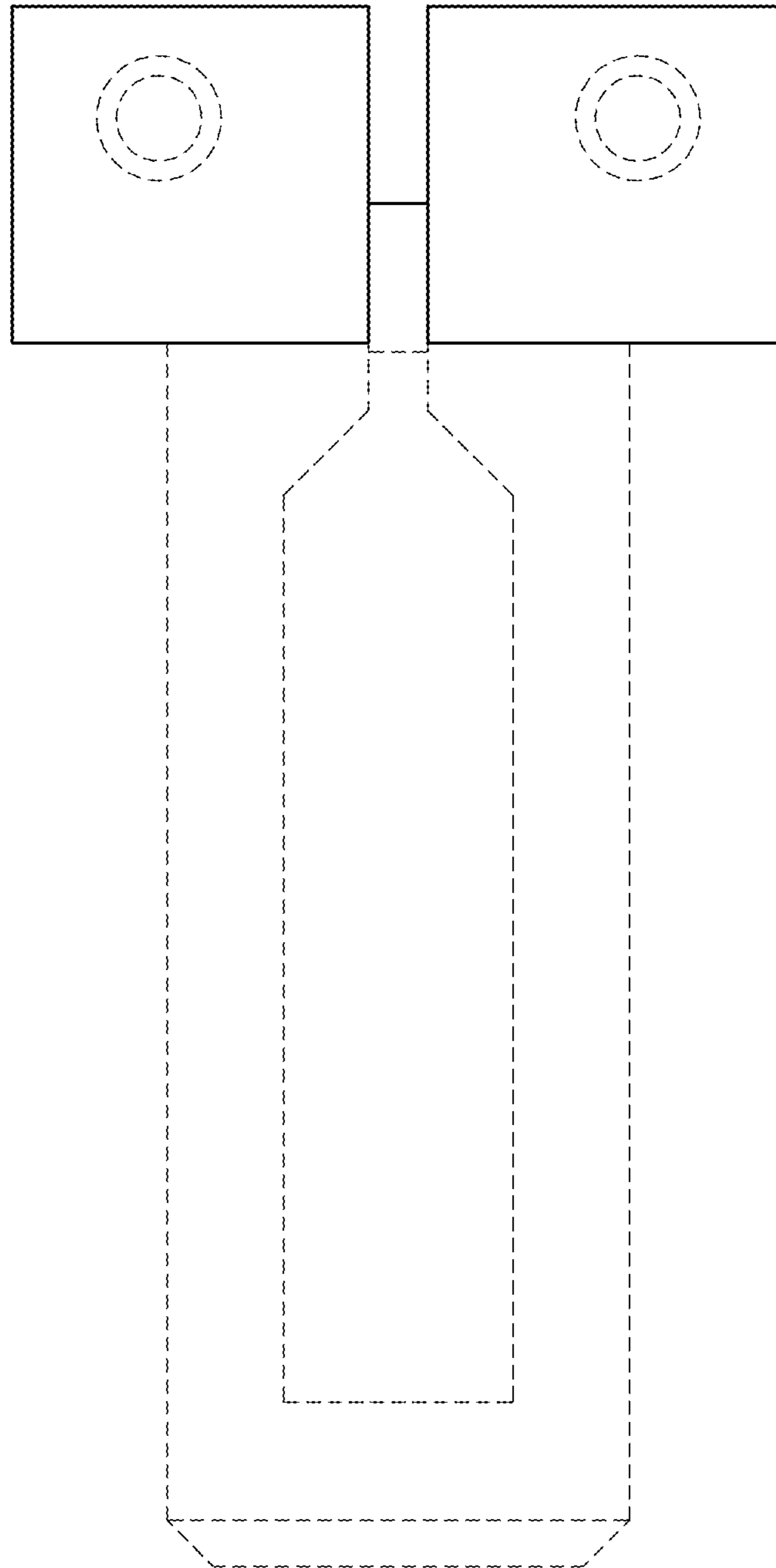
**FIG. 3**



**FIG. 4**

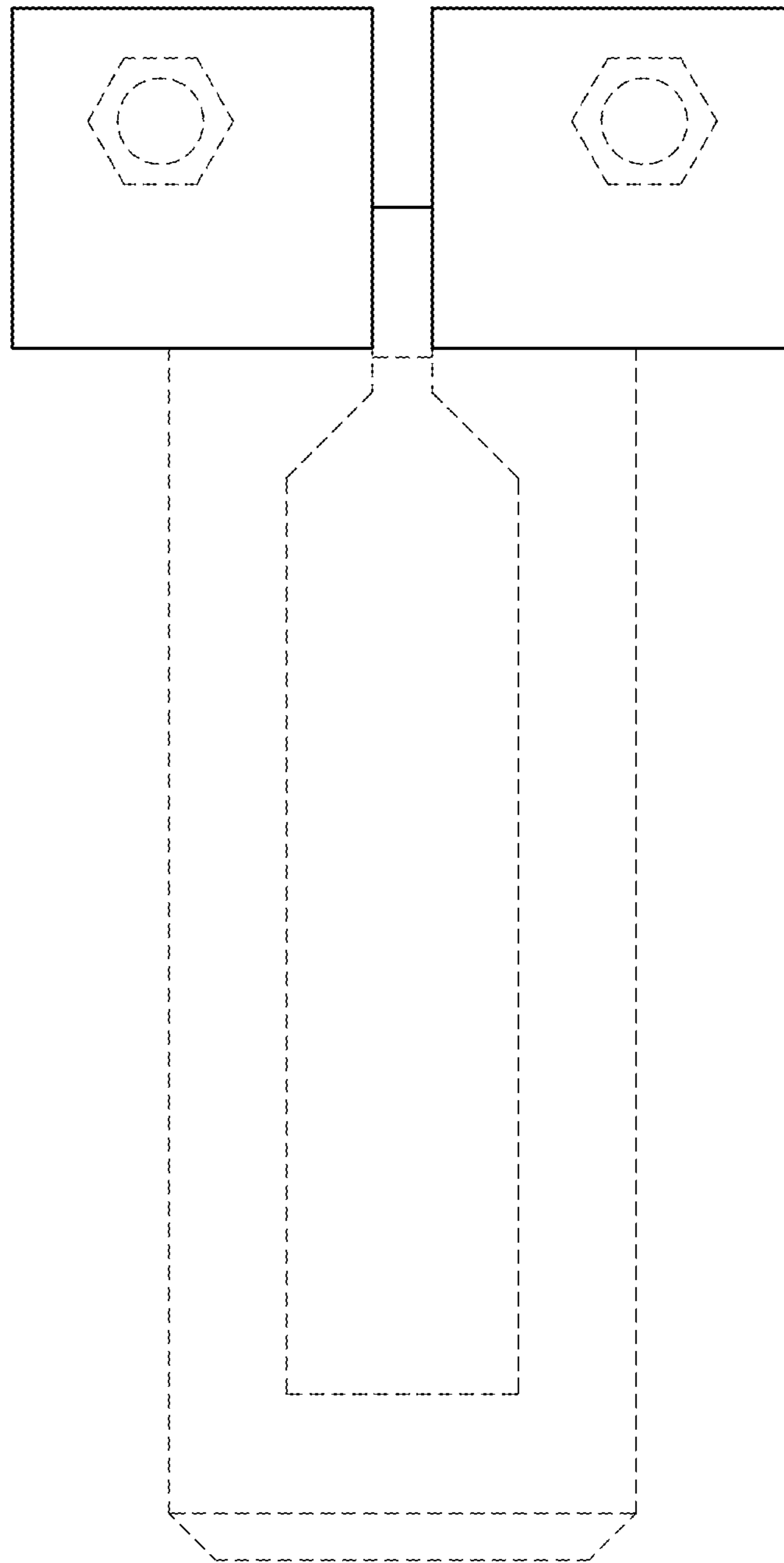


**FIG. 5**



**FIG. 6**





**FIG. 7**