



US00D877841S

(12) **United States Design Patent**
Couie

(10) **Patent No.:** **US D877,841 S**
(45) **Date of Patent:** **** Mar. 10, 2020**

(54) **FIREARM MAGAZINE LOADER/UNLOADER**

7,257,919 B1 * 8/2007 Farley F41A 9/83

(71) Applicant: **William Christopher Couie**, Vidalia,
LA (US)

9,599,416 B2 * 3/2017 Slocum F41A 9/83

(72) Inventor: **William Christopher Couie**, Vidalia,
LA (US)

* cited by examiner

(**) Term: **15 Years**

Primary Examiner — Michael A. Pratt

(21) Appl. No.: **29/632,174**

(74) *Attorney, Agent, or Firm* — Olav M. Underdal; IDP
Patent Services

(22) Filed: **Jan. 5, 2018**

(57) **CLAIM**

Related U.S. Application Data

The ornamental design for a firearm magazine loader/un-
loader, as shown and described.

(63) Continuation-in-part of application No. 15/440,984,
filed on Feb. 23, 2017, now Pat. No. 10,001,331.

DESCRIPTION

(51) **LOC (12) Cl.** **22-01**

(52) **U.S. Cl.**

USPC **D22/108**

(58) **Field of Classification Search**

USPC D22/108

CPC F41A 9/83; F41A 9/82

See application file for complete search history.

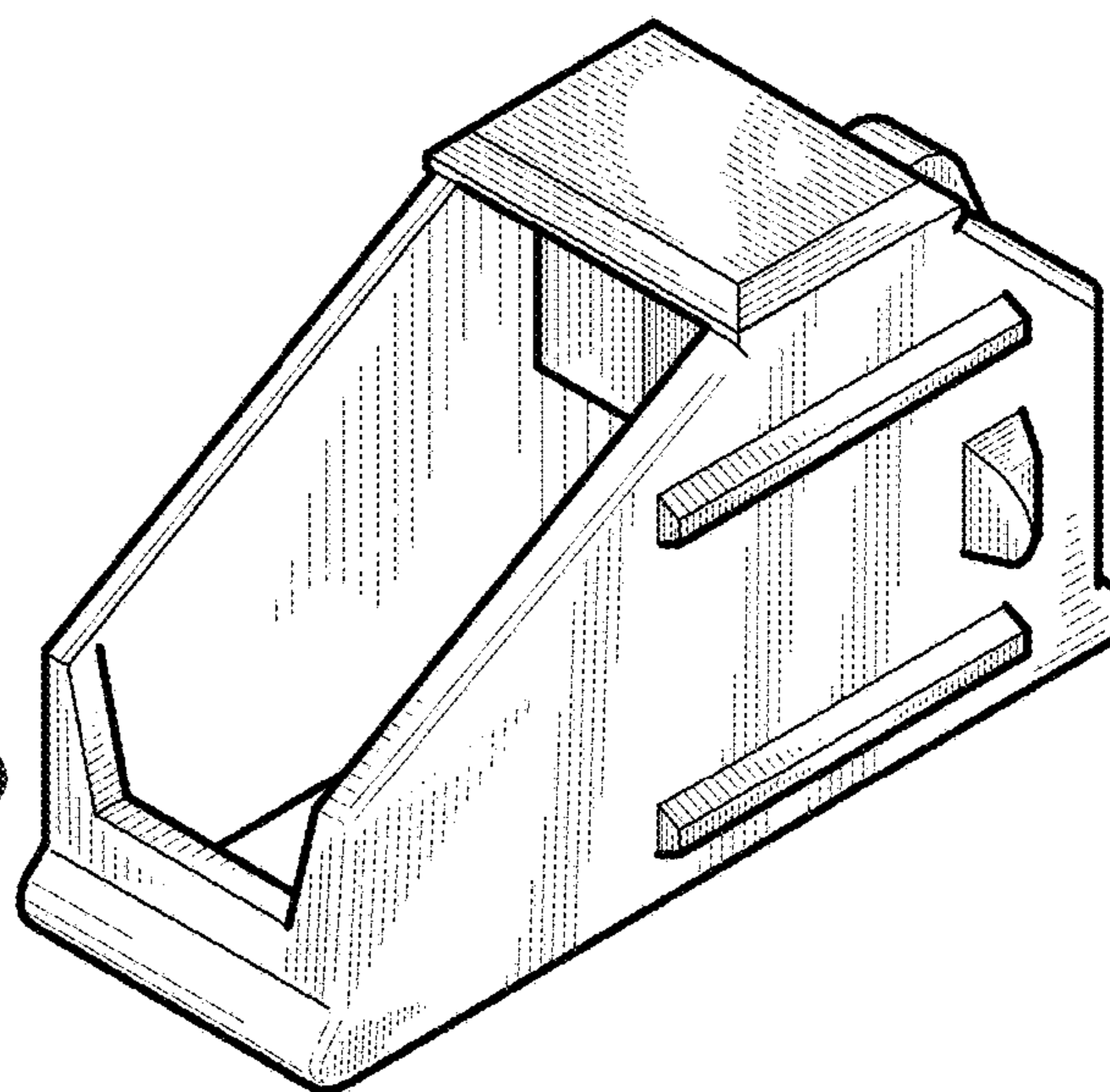
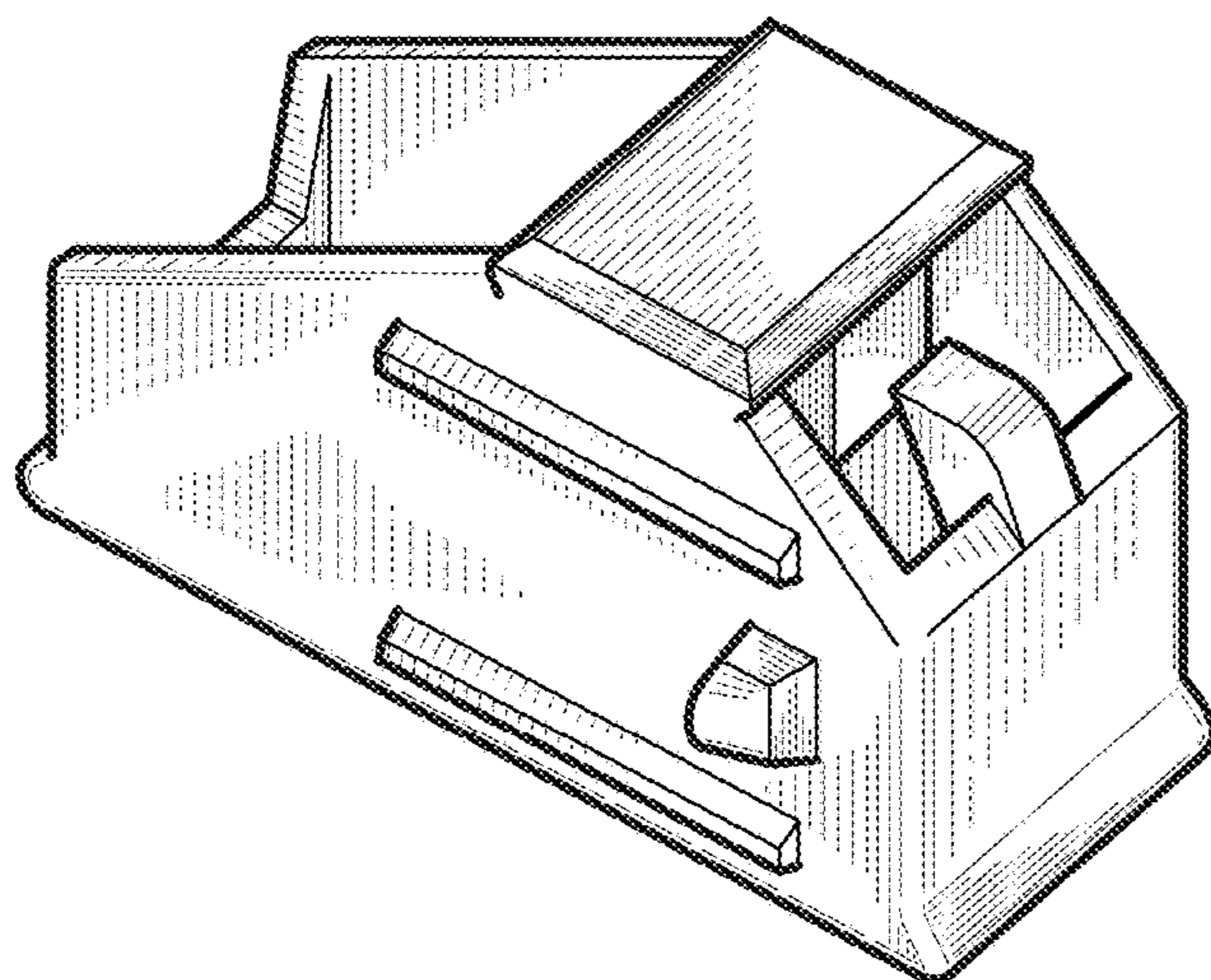
FIG. 1 is a rear perspective view of a firearm magazine
loader/unloader showing my new design;
FIG. 2 is a front perspective view thereof;
FIG. 3 is a right side view thereof;
FIG. 4 is a left side view thereof;
FIG. 5 is a top view thereof;
FIG. 6 is a bottom view thereof;
FIG. 7 is a front view thereof;
FIG. 8 is a rear view thereof; and,
FIG. 9 is a cross-sectional perspective view thereof, taken
along section line 9-9 of FIG. 8.

(56) **References Cited**

U.S. PATENT DOCUMENTS

4,993,180 A * 2/1991 Upchurch F41A 9/83
42/87

1 Claim, 9 Drawing Sheets



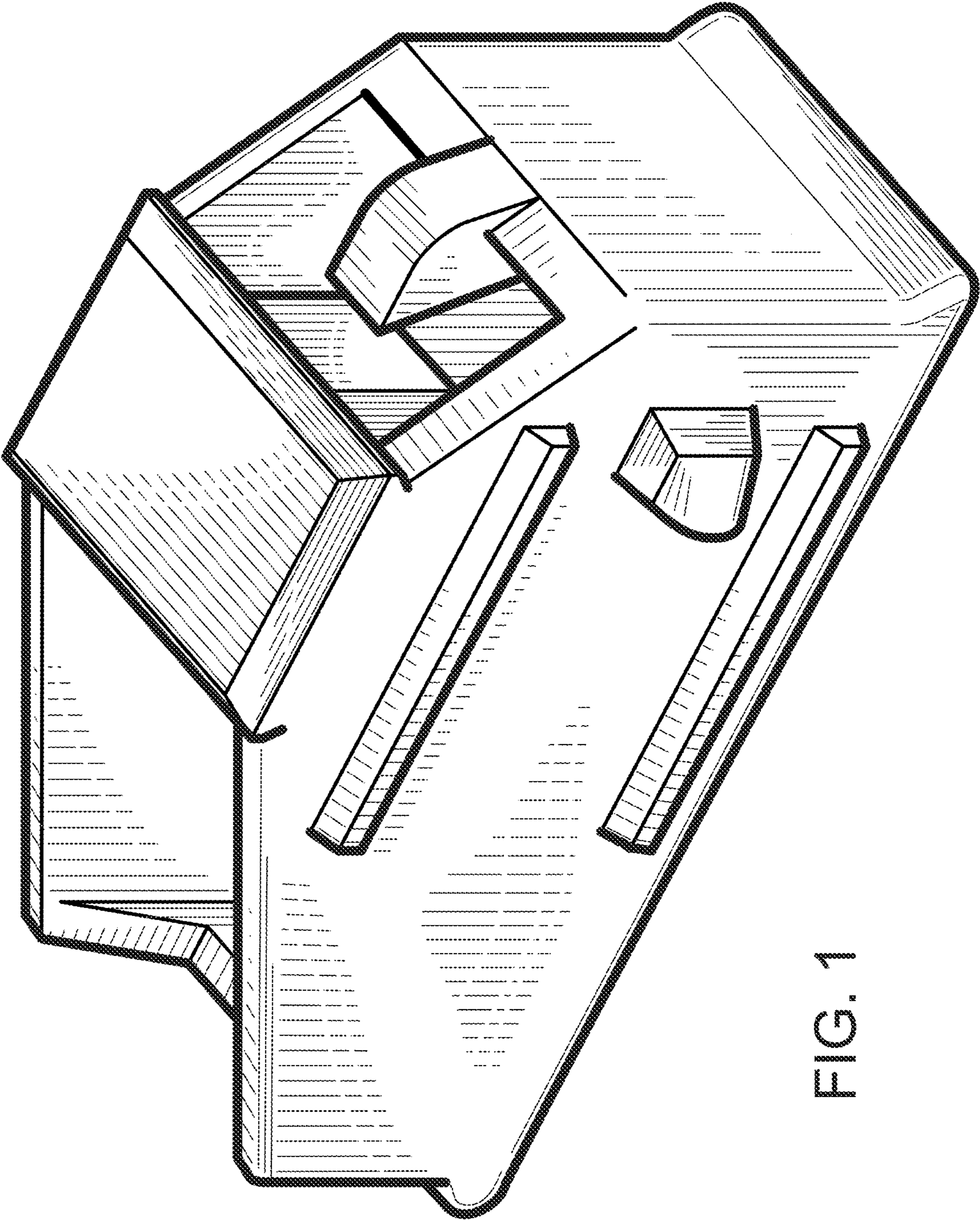


FIG. 1

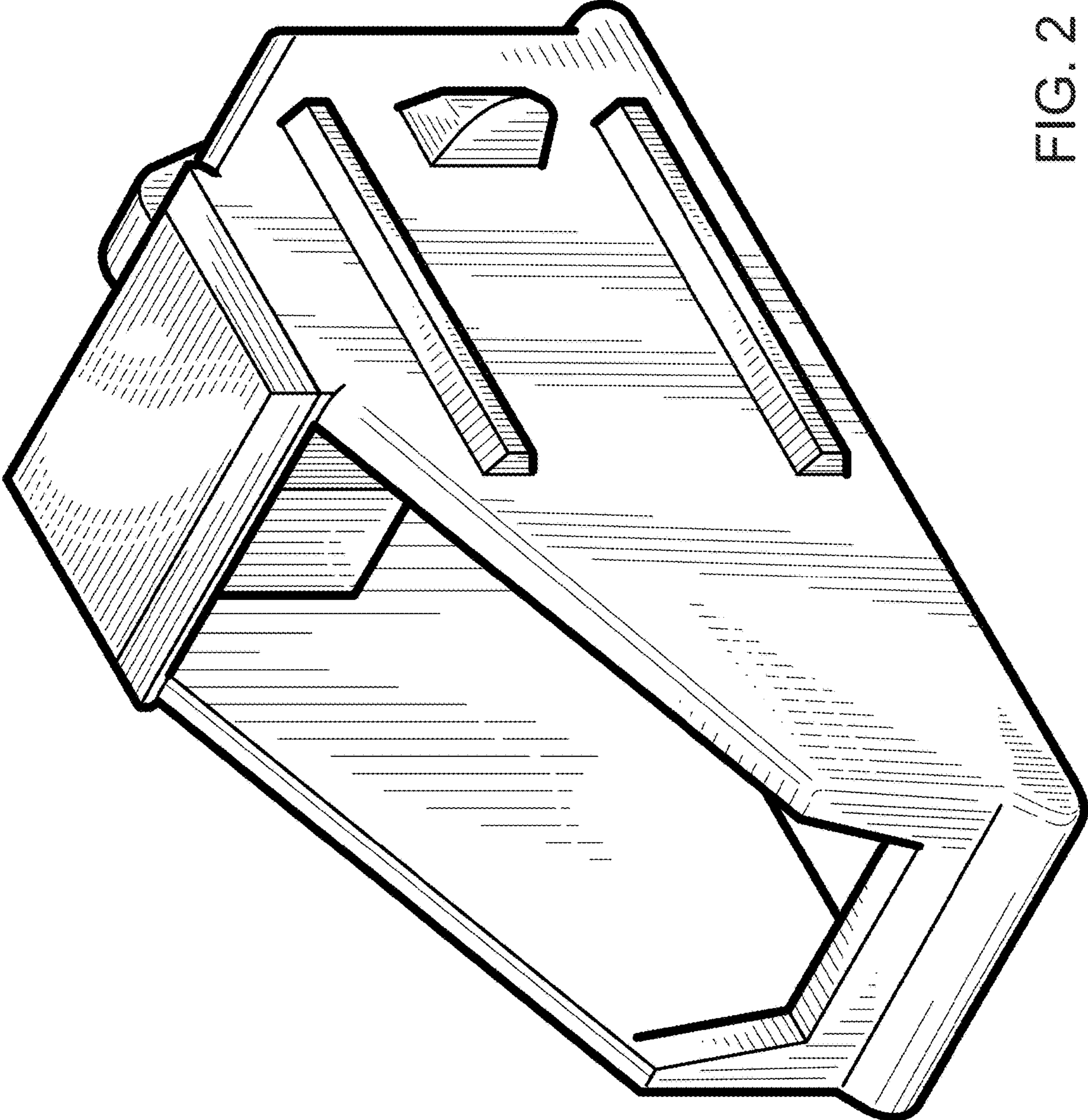


FIG. 2

FIG. 3

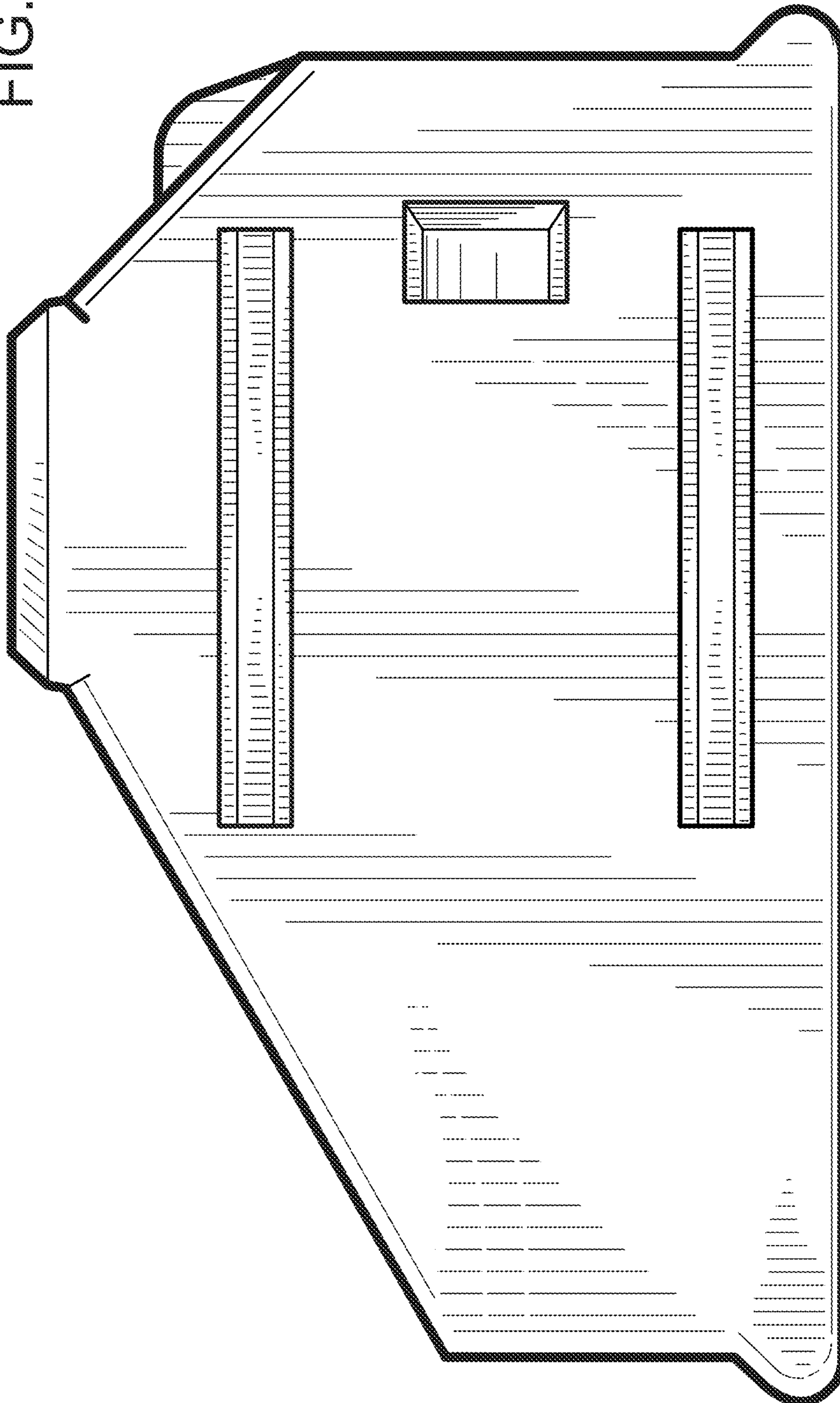
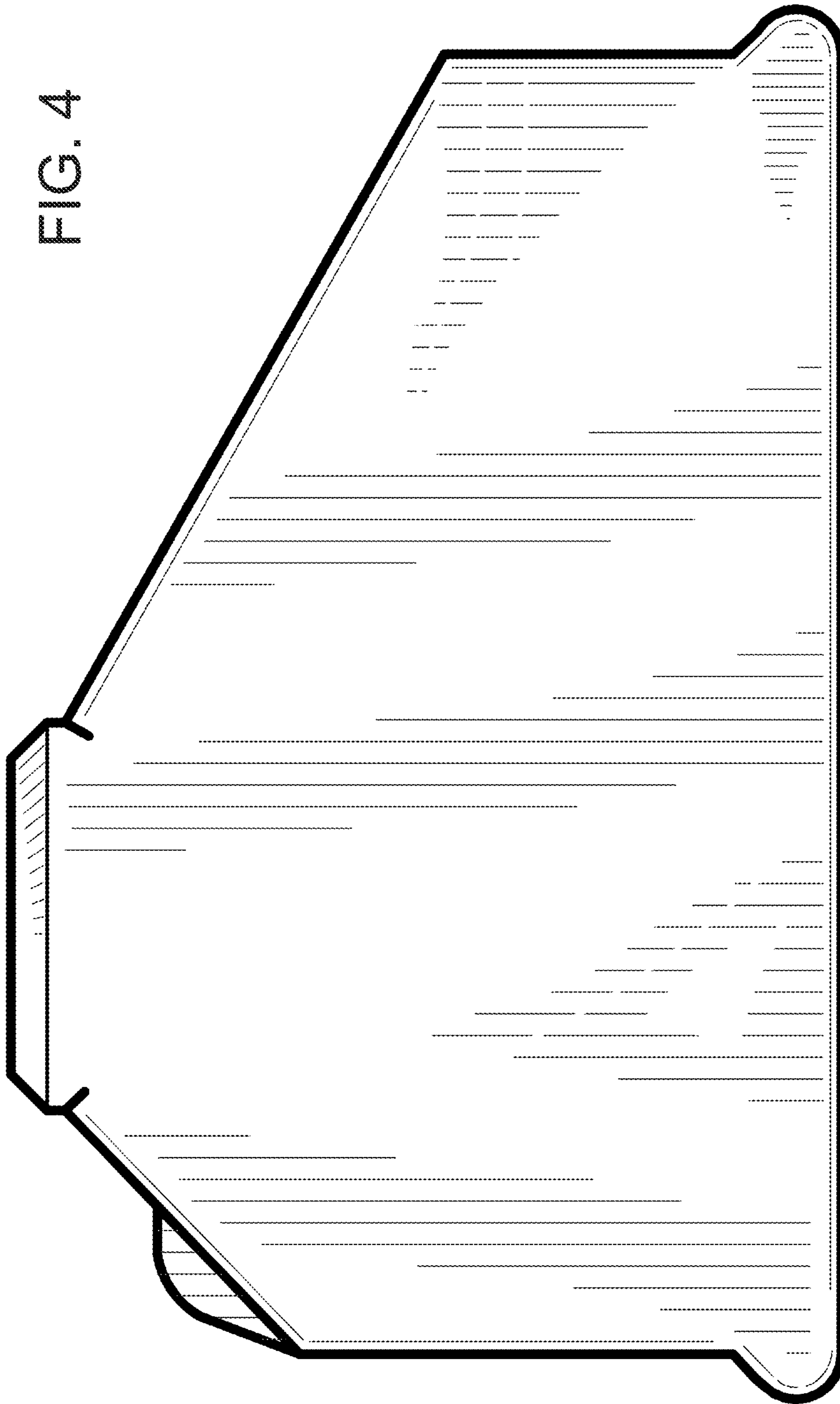


FIG. 4



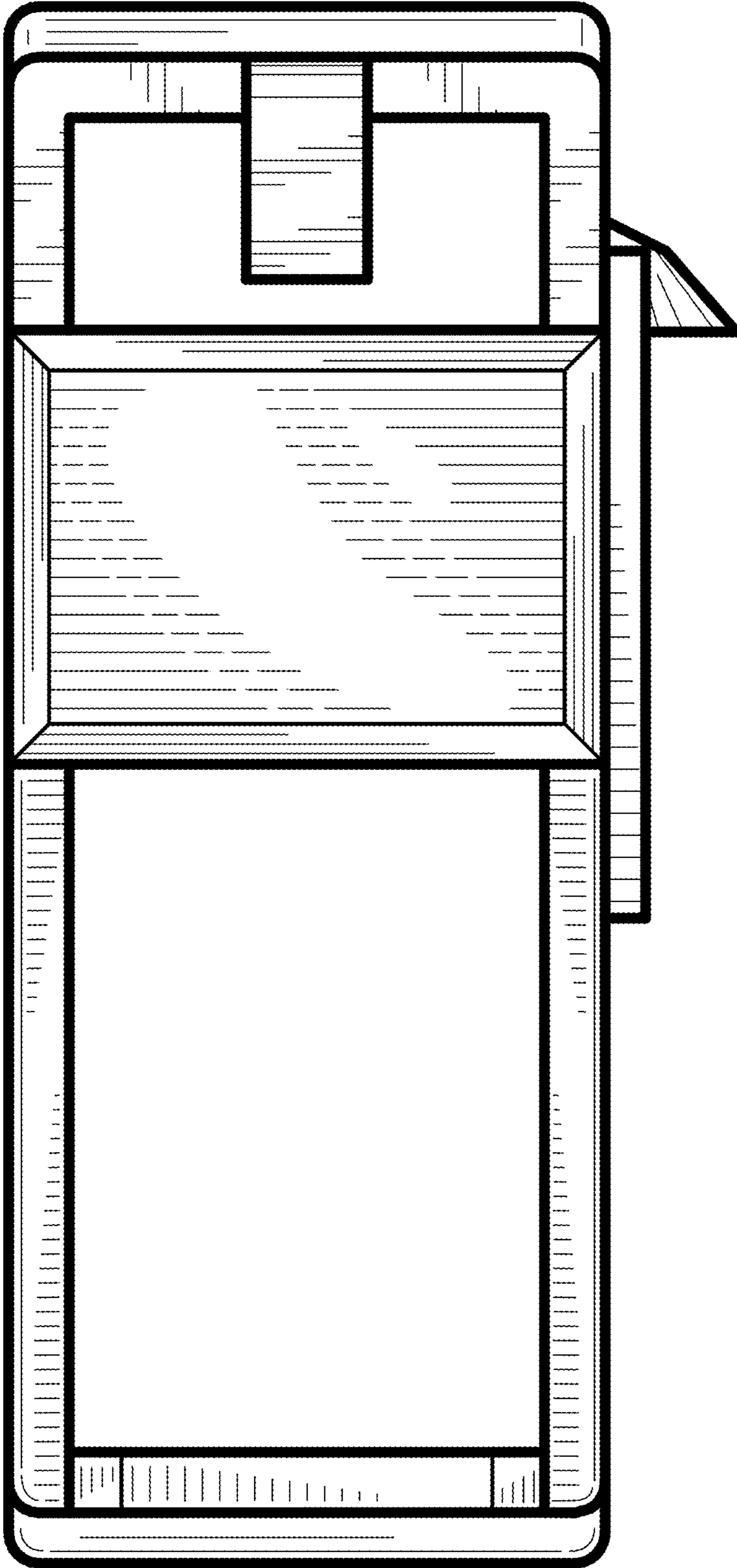


FIG. 5

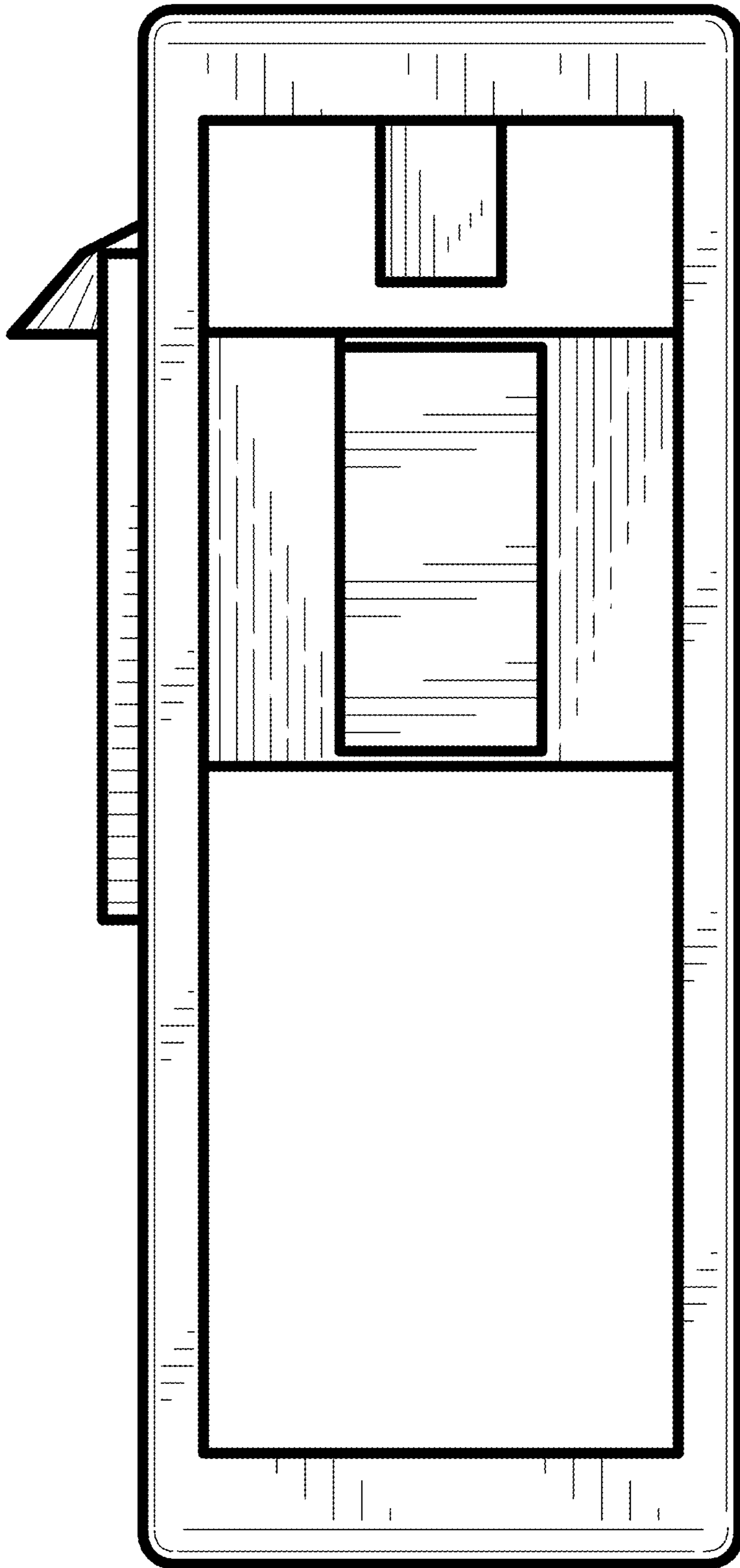


FIG. 6

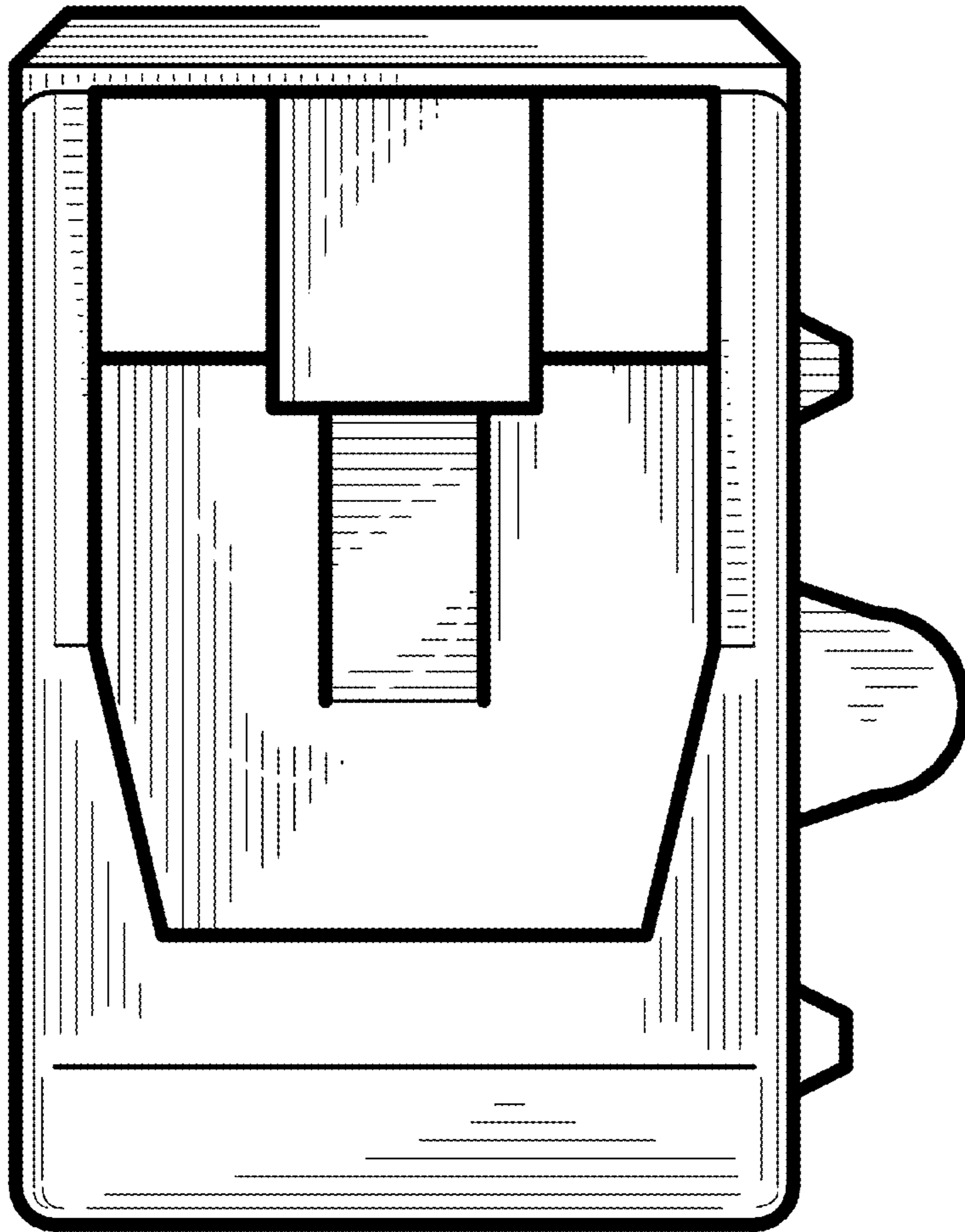


FIG. 7

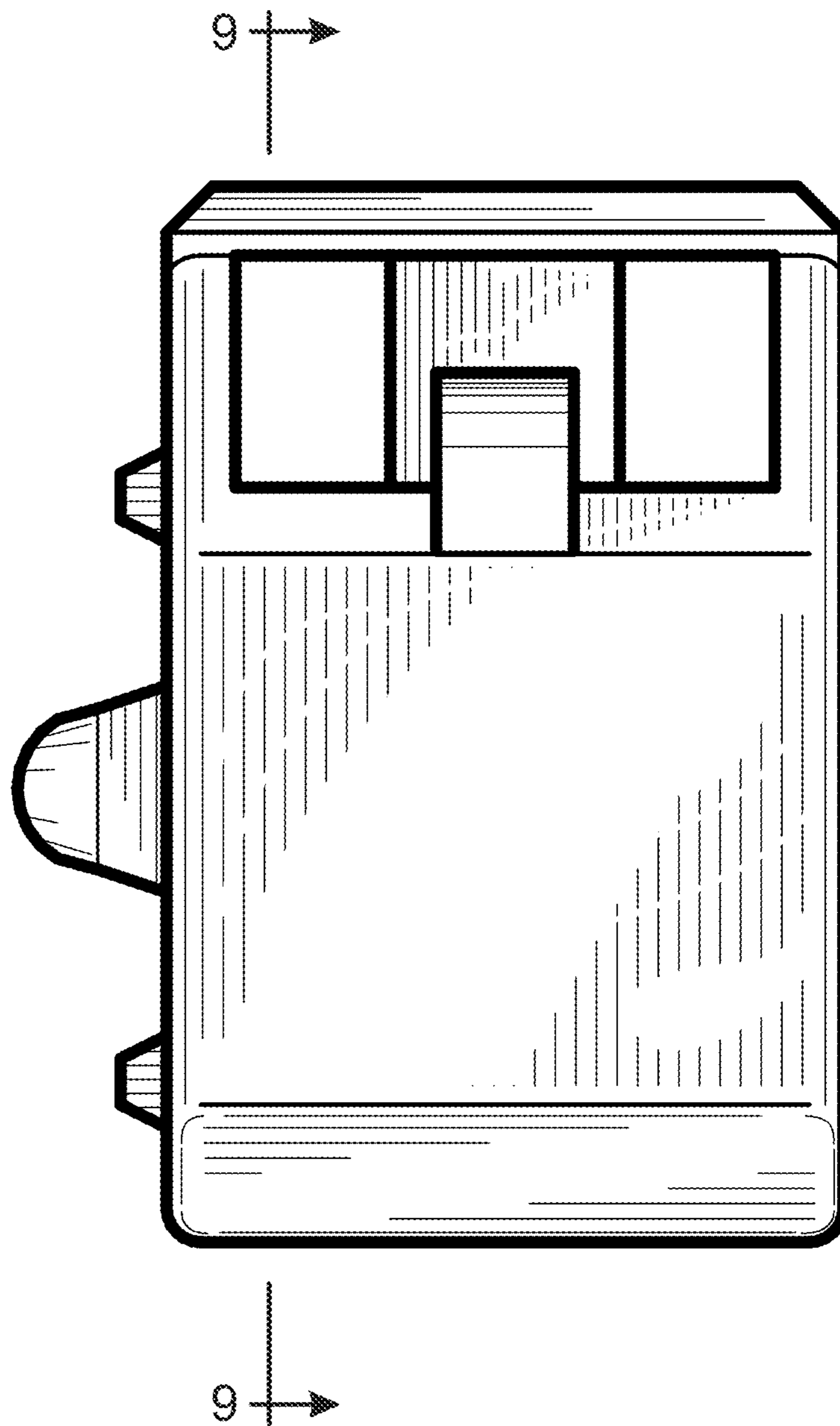


FIG. 8

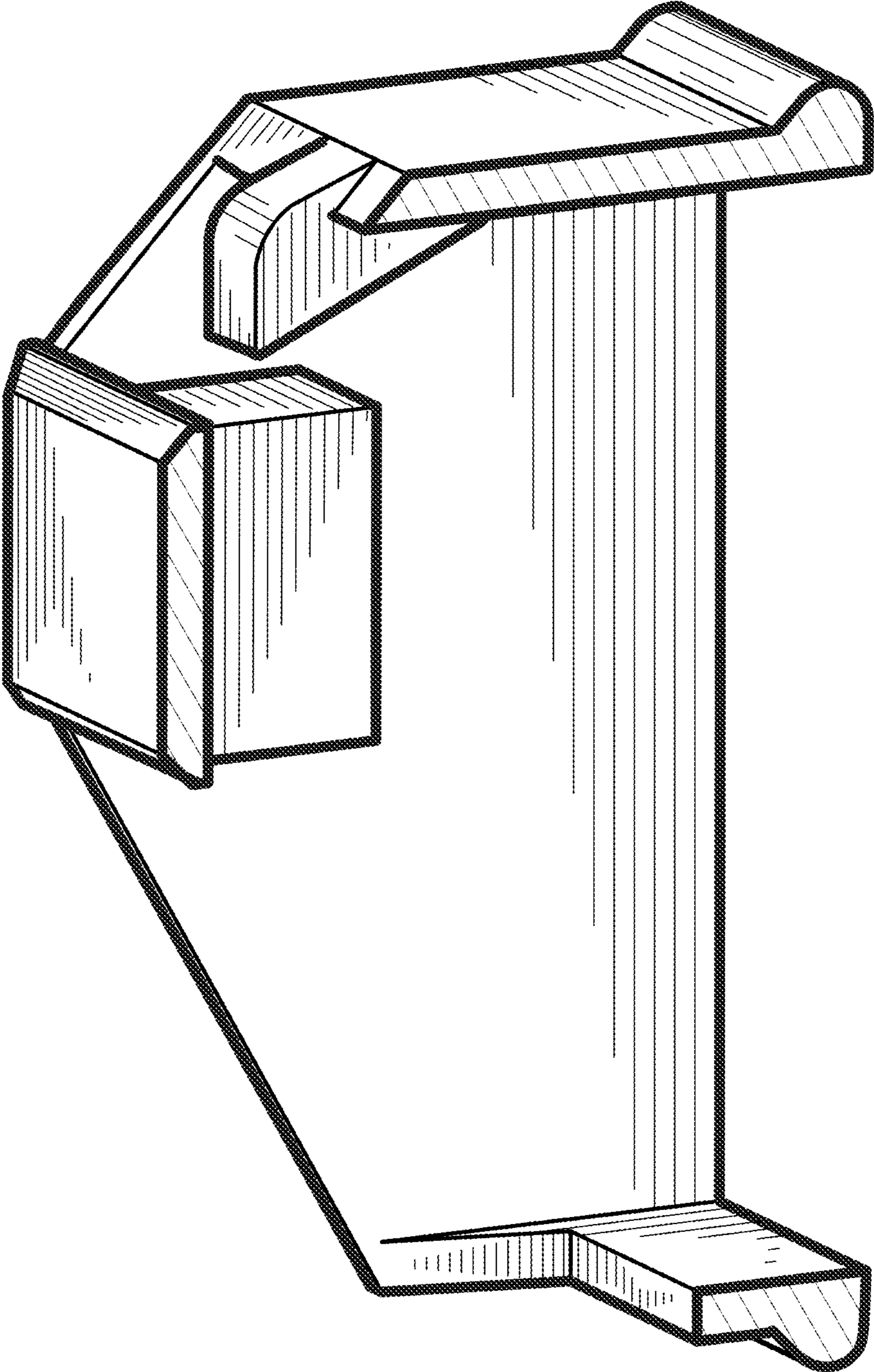


FIG. 9