

US00D877839S

(12) **United States Design Patent**
Niswonger

(10) **Patent No.:** **US D877,839 S**
(45) **Date of Patent:** **** Mar. 10, 2020**

- (54) **SOLAR GOLF CUP COVER**
- (71) Applicant: **John O. H. Niswonger**, Agoura Hills, CA (US)
- (72) Inventor: **John O. H. Niswonger**, Agoura Hills, CA (US)
- (**) Term: **15 Years**
- (21) Appl. No.: **29/675,006**
- (22) Filed: **Dec. 27, 2018**
- (51) **LOC (12) Cl.** **21-02**
- (52) **U.S. Cl.**
USPC **D21/789**; D21/794
- (58) **Field of Classification Search**
USPC D21/789, 793, 794
CPC A63B 57/40; A63B 57/357; A63B 57/50;
A63B 57/505; A63B 2063/002
See application file for complete search history.

D444,529 S *	7/2001	Wagner	D15/29
6,267,688 B1 *	7/2001	Morelli, Sr.	A63B 57/40 473/179
D506,152 S *	6/2005	Dombrowski	D10/70
D560,739 S *	1/2008	Bernatz	D21/794
D582,498 S *	12/2008	Austin	D21/791
D594,523 S *	6/2009	Uhrig	A63B 71/06 D21/794
D624,982 S *	10/2010	Perusa	D21/789
D632,351 S *	2/2011	Scott	D21/794
D663,009 S *	7/2012	Koiwa	D23/214

* cited by examiner

Primary Examiner — Mitchell I. Siegel
(74) *Attorney, Agent, or Firm* — Ronald L. Rohde

(57) **CLAIM**

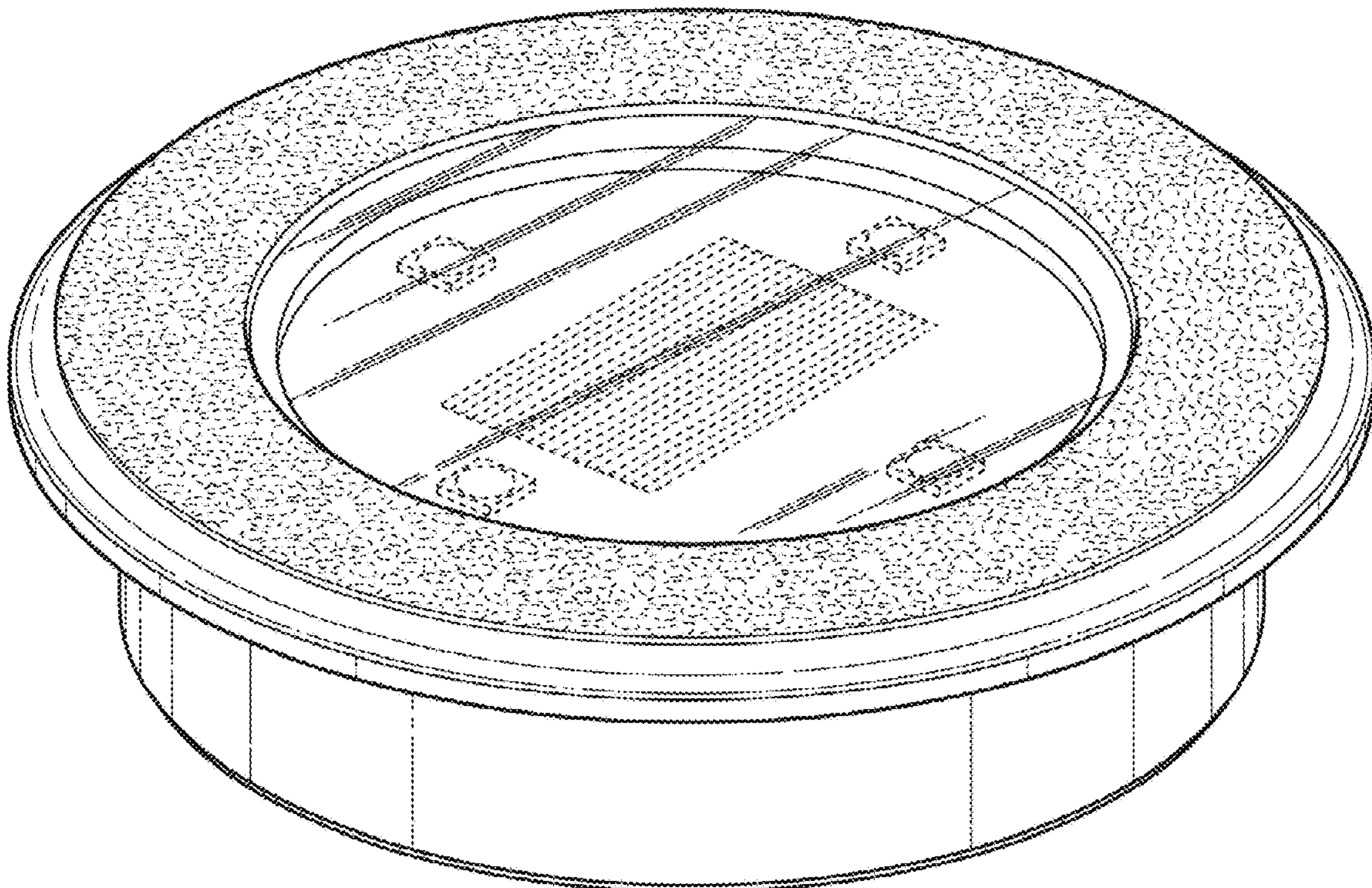
The ornamental design for a solar golf cup cover, as shown and described.

DESCRIPTION

FIG. 1 is a top perspective view of a solar golf cup cover showing my new design;
 FIG. 2 is a top view in plan thereof;
 FIG. 3 is a bottom view in plan thereof;
 FIG. 4 is a front view in elevation thereof;
 FIG. 5 is a right side elevation view thereof;
 FIG. 6 is a right side view in elevation thereof; and,
 FIG. 7 is; a left side elevation view thereof.
 The broken lines showing a solar collector, light emitting diodes, screws, lettering and buttons are included for the purpose of illustrating unclaimed subject matter and forms no part of the claimed design.

1 Claim, 5 Drawing Sheets

- (56) **References Cited**
U.S. PATENT DOCUMENTS
- 4,108,439 A * 8/1978 McGuire A63C 19/06
473/150
- 4,280,698 A * 7/1981 Troiano A63B 57/357
473/179
- 5,415,397 A * 5/1995 Van Holt, Jr. A63B 57/357
473/179
- 5,451,000 A * 9/1995 Shaw B05B 15/00
239/201
- D391,340 S * 2/1998 Bernatz D23/227
- D420,085 S * 2/2000 Bernatz D21/794



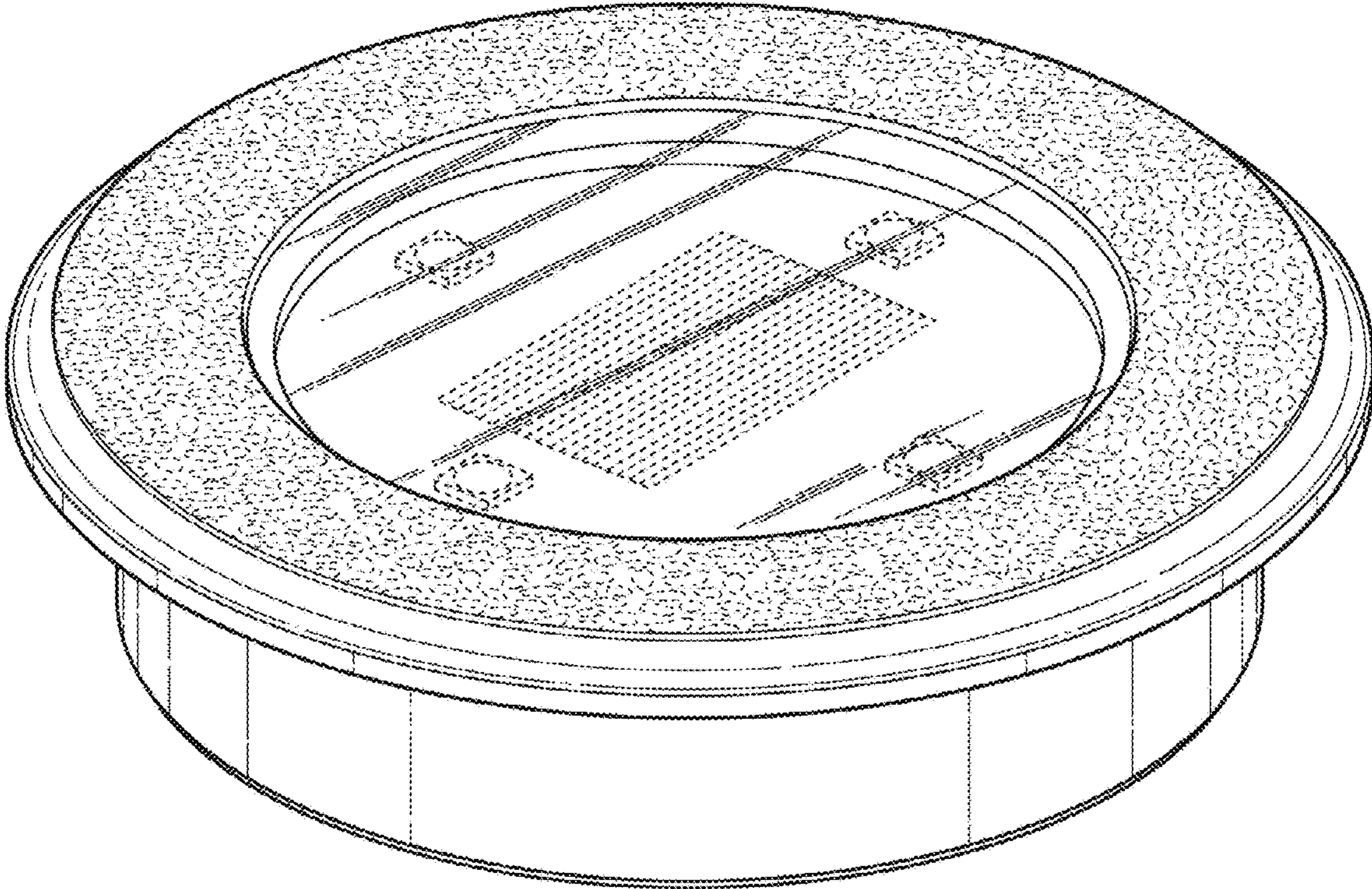


FIG. 1

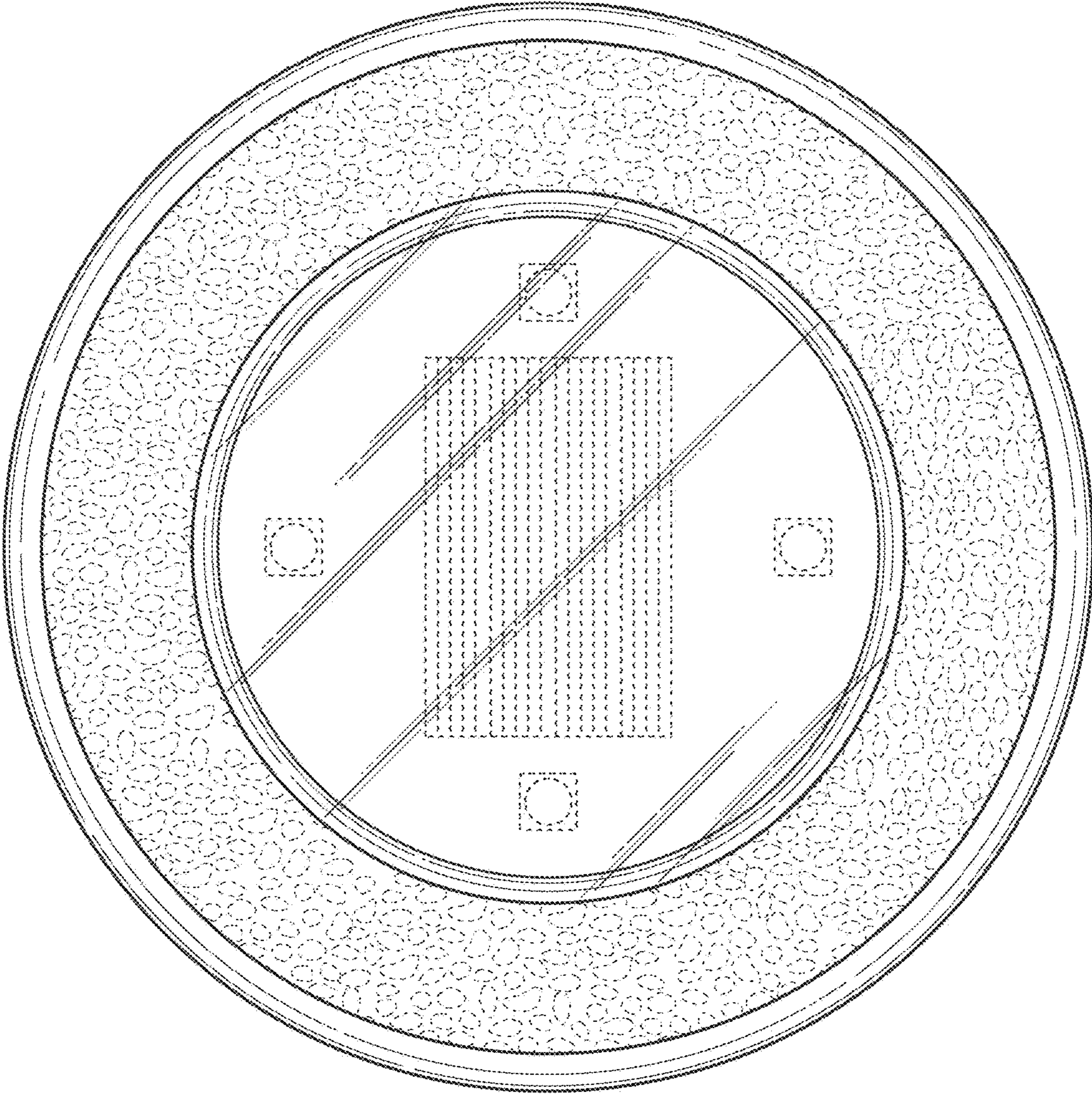


FIG. 2

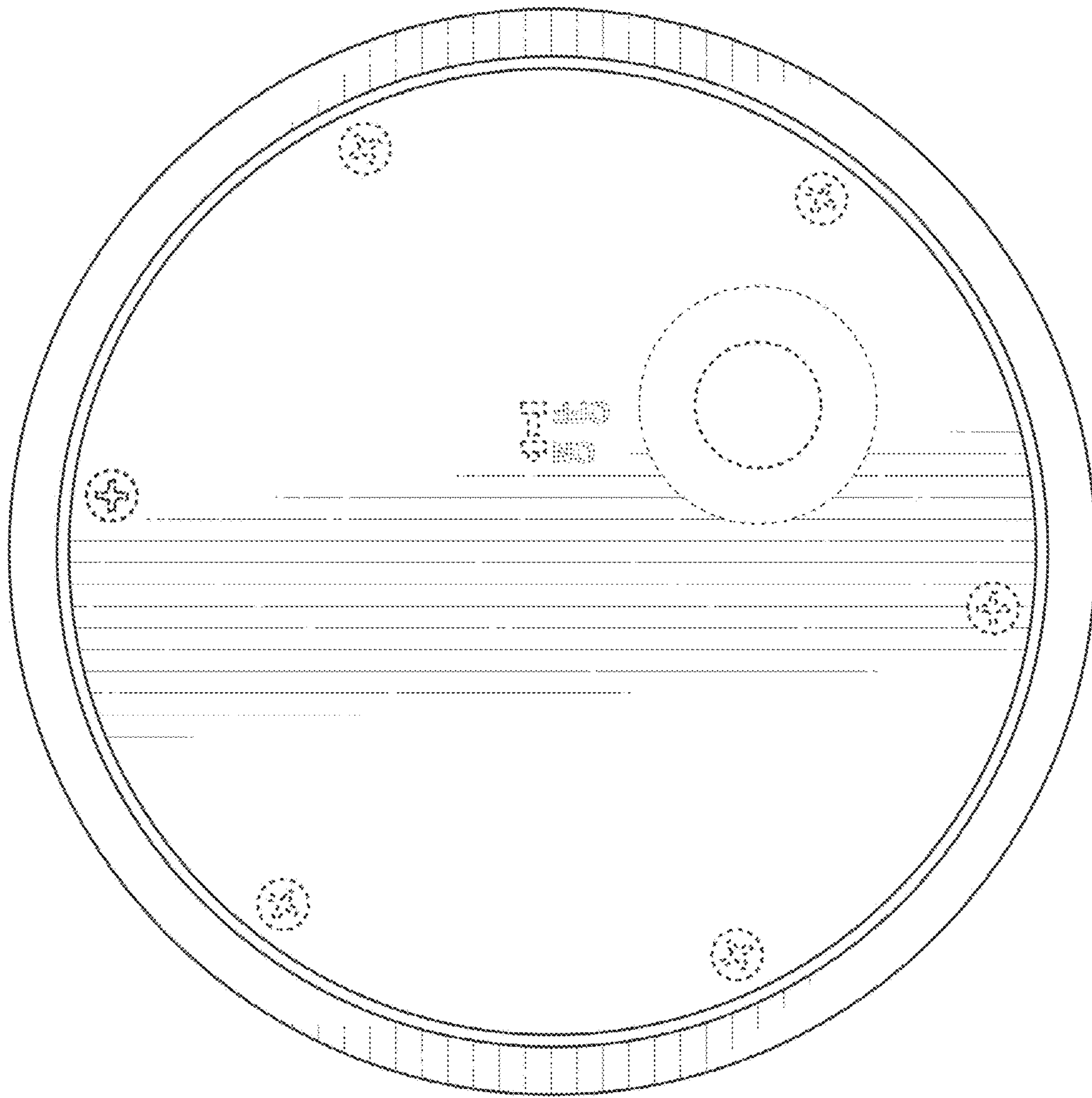


FIG. 3

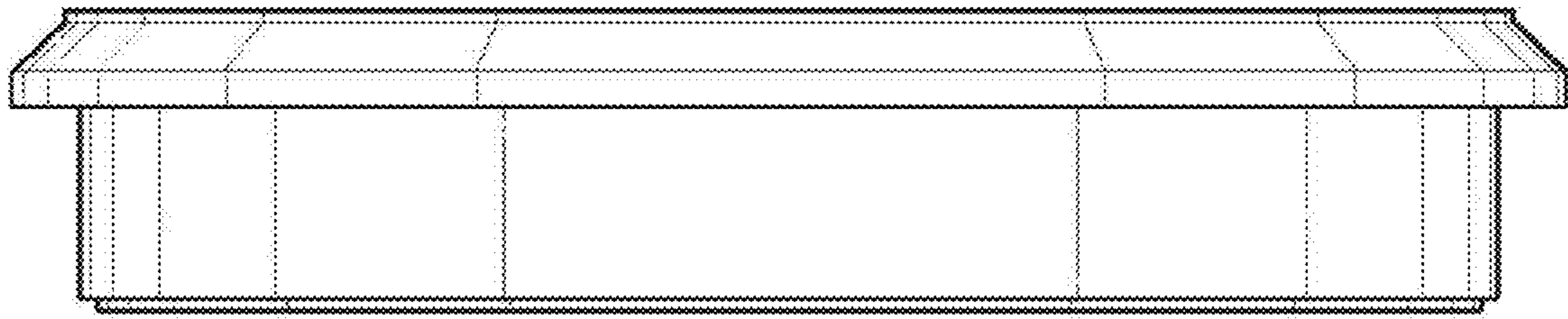


FIG. 4

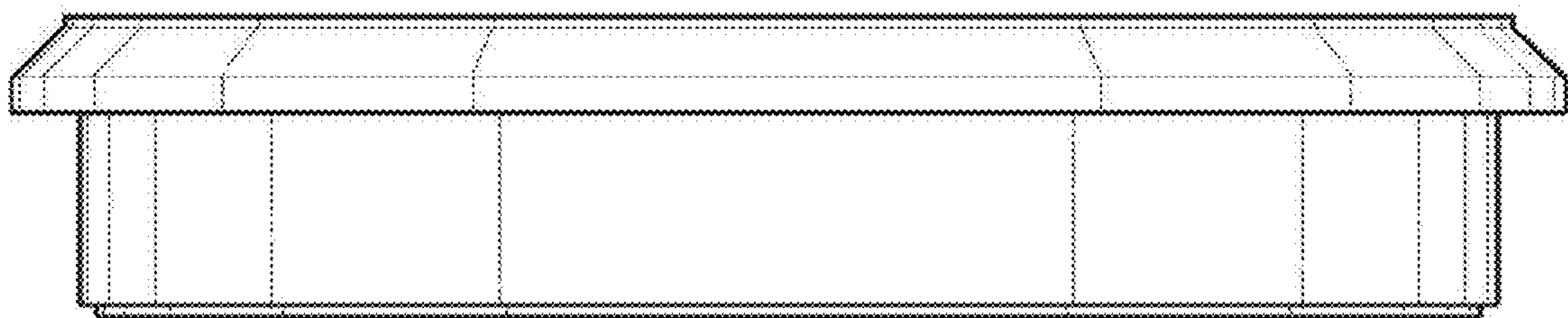


FIG. 5

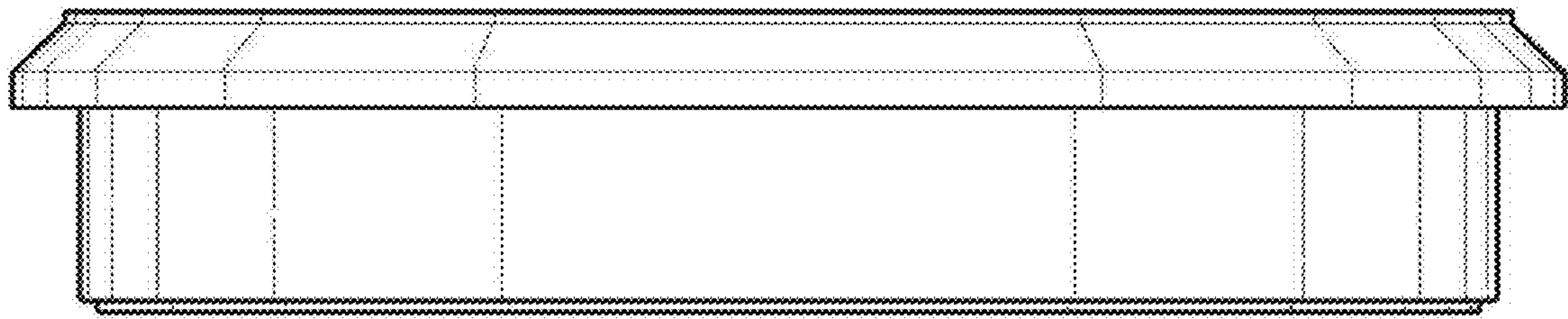


FIG. 6

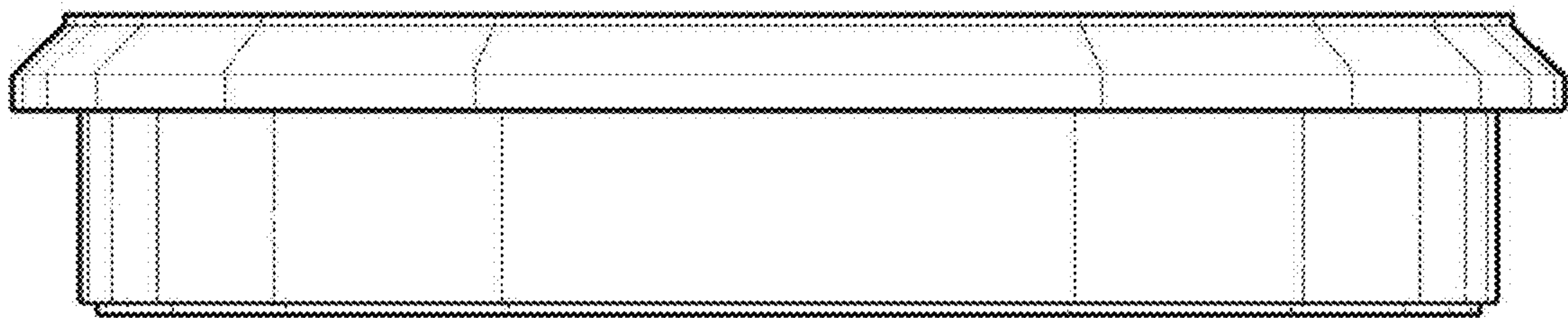


FIG. 7