



US00D877835S

(12) **United States Design Patent**
Cameron

(10) **Patent No.:** **US D877,835 S**

(45) **Date of Patent:** **** Mar. 10, 2020**

(54) **GOLF CLUB HEAD**

(71) Applicant: **Acushnet Company**, Fairhaven, MA (US)

(72) Inventor: **Don T. Cameron**, Carlsbad, CA (US)

(73) Assignee: **Acushnet Company**, Fairhaven, MA (US)

(**) Term: **15 Years**

(21) Appl. No.: **29/669,053**

(22) Filed: **Nov. 5, 2018**

Related U.S. Application Data

(63) Continuation-in-part of application No. 29/598,857, filed on Mar. 29, 2017, now abandoned.

(51) **LOC (12) Cl.** **21-02**

(52) **U.S. Cl.**
USPC **D21/759**

(58) **Field of Classification Search**
USPC D21/733–752, 759
CPC A63B 53/00; A63B 53/04; A63B 53/007;
A63B 53/065; A63B 53/0487; A63B
53/0466; A63B 60/00; A63B 60/46; A63B
53/02; A63B 53/047; A63B 53/0475;
A63B 2053/0479; A63B 2053/0483;
A63B 2053/0445; A63B 2053/002; A63B
2053/0433; A63B 2053/0491; A63B
2053/0437
See application file for complete search history.

(56) **References Cited**

U.S. PATENT DOCUMENTS

D363,101 S * 10/1995 Sturm D21/746
D363,102 S * 10/1995 Wood D21/744

D381,383 S * 7/1997 Brett D21/744
5,709,612 A * 1/1998 Salado A63B 69/3685
473/240
D397,179 S * 8/1998 Johnson D21/742
D398,683 S * 9/1998 Masuda D21/736
D398,685 S * 9/1998 Masuda D21/736
D398,686 S * 9/1998 Masuda D21/742
D591,379 S * 4/2009 De La Cruz D21/759
D613,357 S * 4/2010 Utz D21/736
D756,476 S * 5/2016 Rollinson D21/759
D807,454 S * 1/2018 Serrano D21/744

* cited by examiner

Primary Examiner — Mitchell I. Siegel

(74) *Attorney, Agent, or Firm* — Randy K. Chang

(57) **CLAIM**

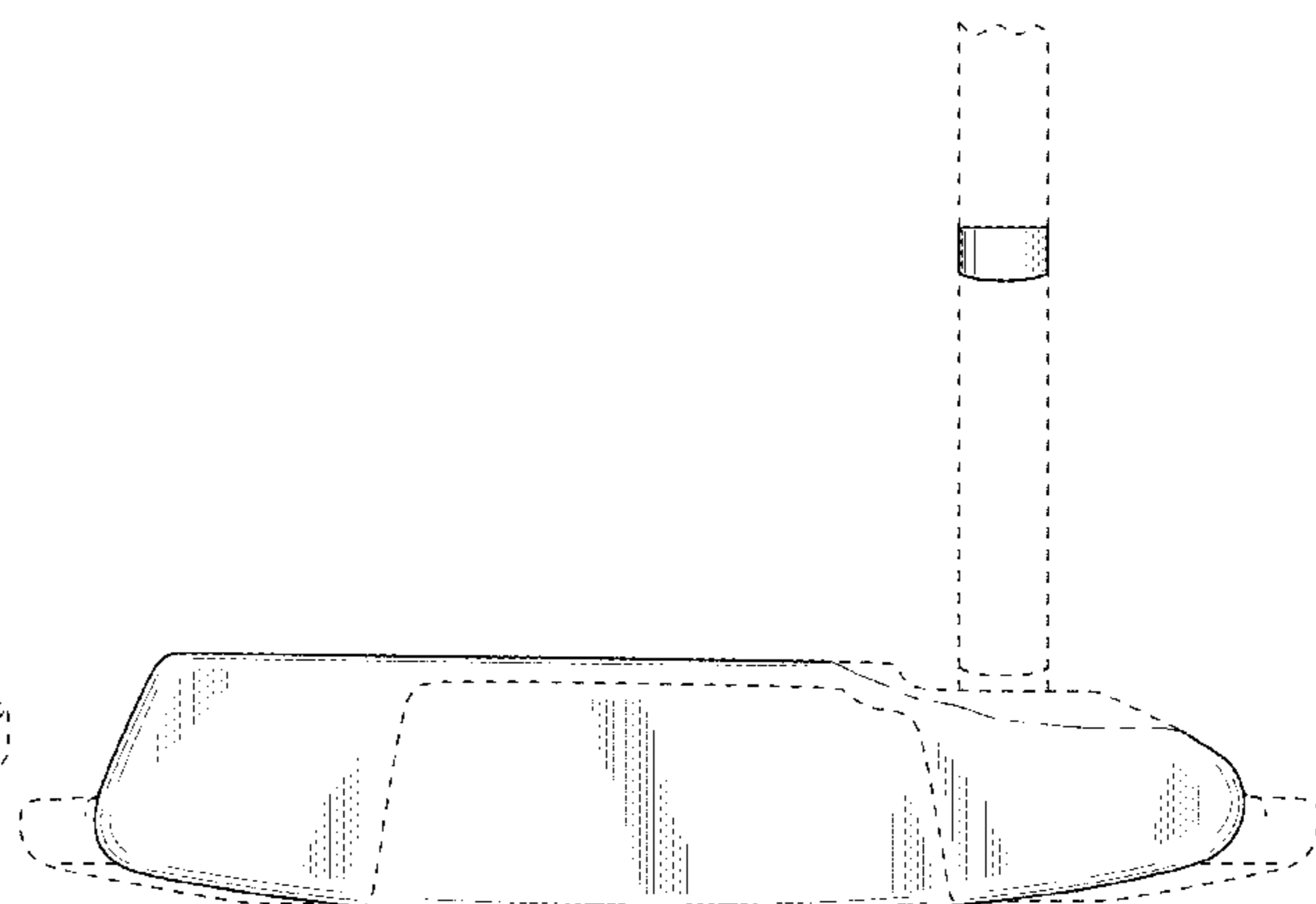
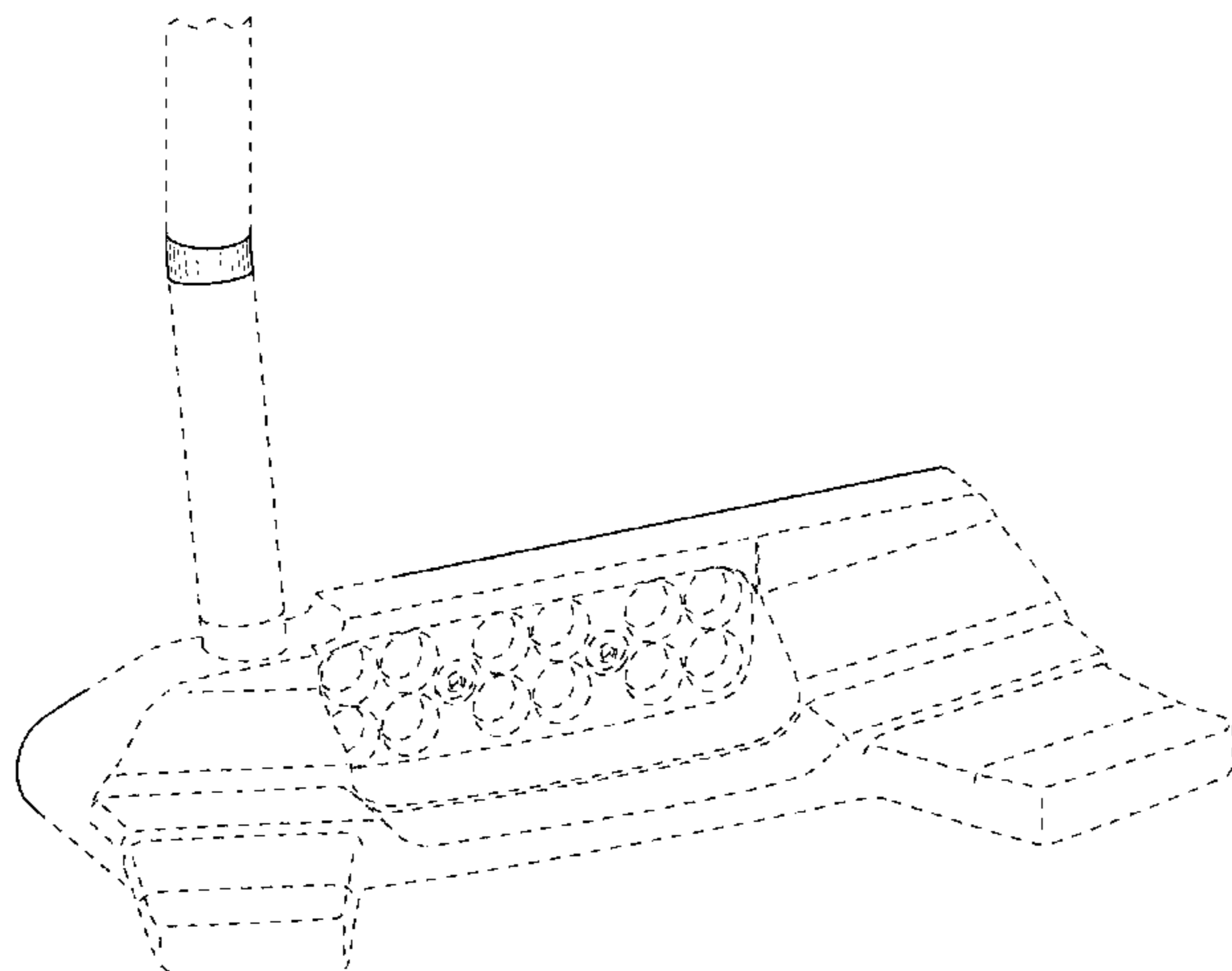
The ornamental design for a golf club head, as shown and described.

DESCRIPTION

FIG. 1 is a perspective back view of my new design for a golf club head;
FIG. 2 is a back view thereof;
FIG. 3 is a bottom sole view thereof;
FIG. 4 is a top view thereof;
FIG. 5 is a front view thereof;
FIG. 6 is a heel view thereof; and,
FIG. 7 is a toe view thereof.

The broken line shown on the golf club head and hosel are included for the purpose of illustrating unclaimed subject matter and forms no part of the claimed design. The dash-dot lines are included as boundary lines and form no part of the claimed design.

1 Claim, 4 Drawing Sheets



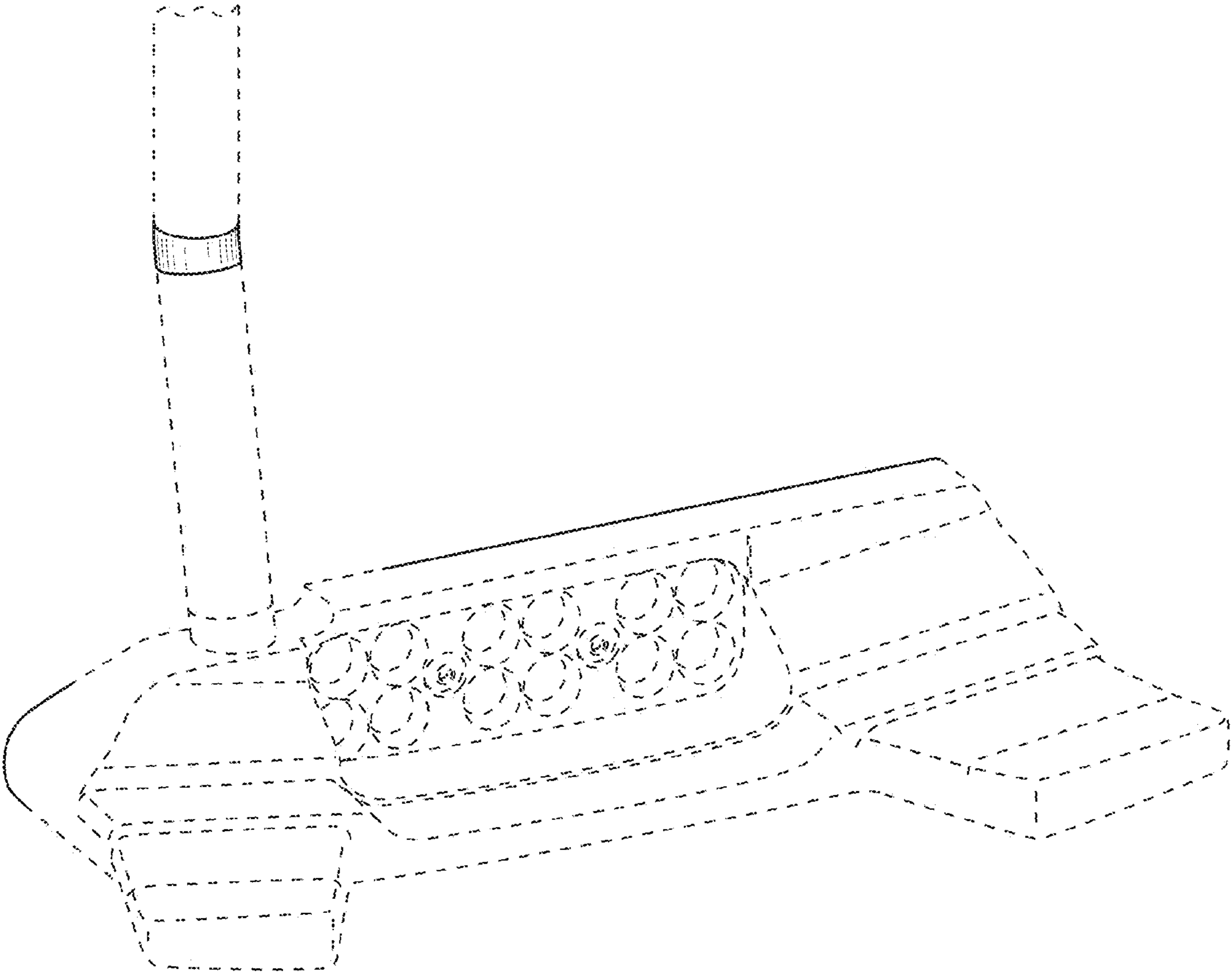


FIG. 1

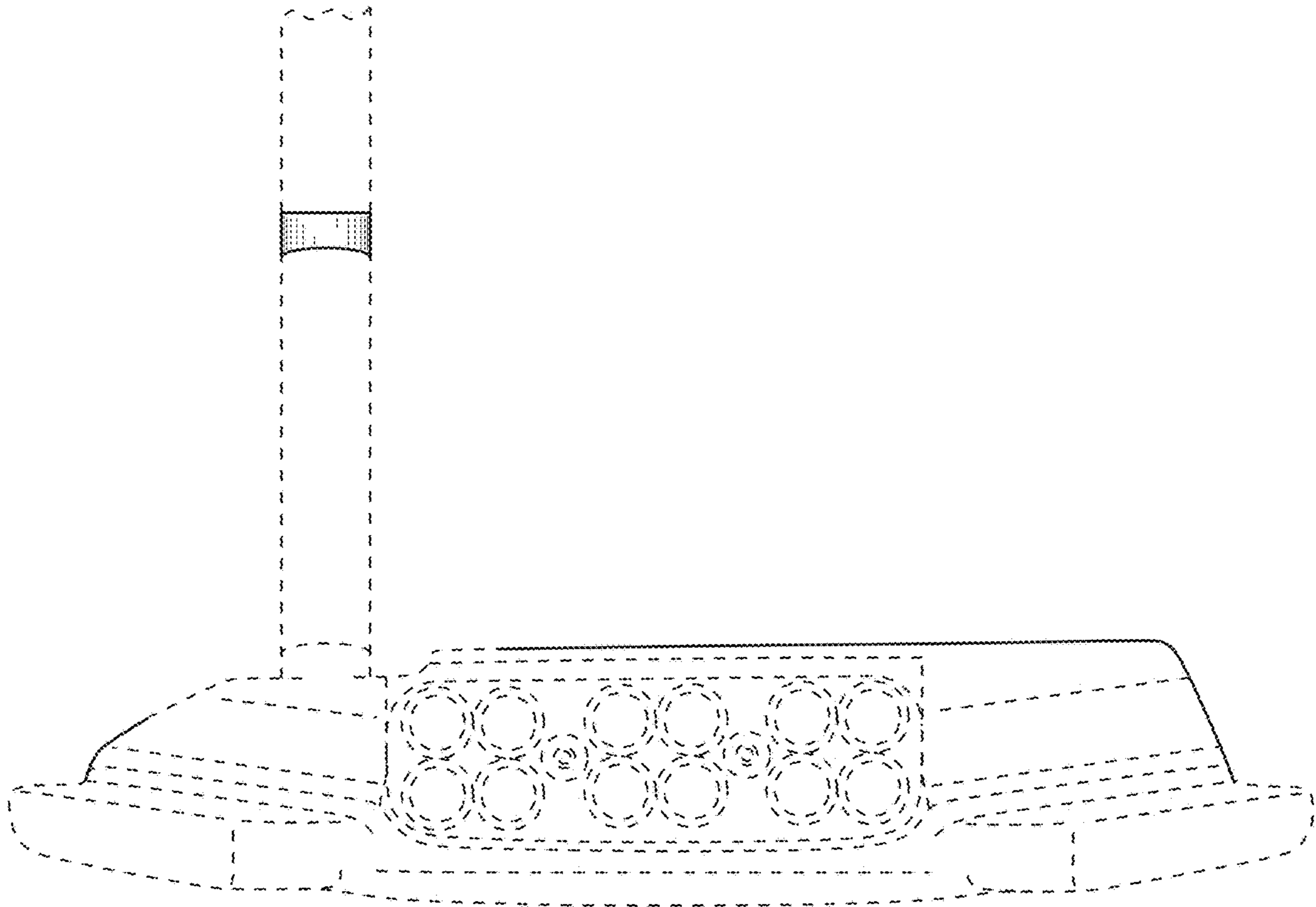


FIG. 2

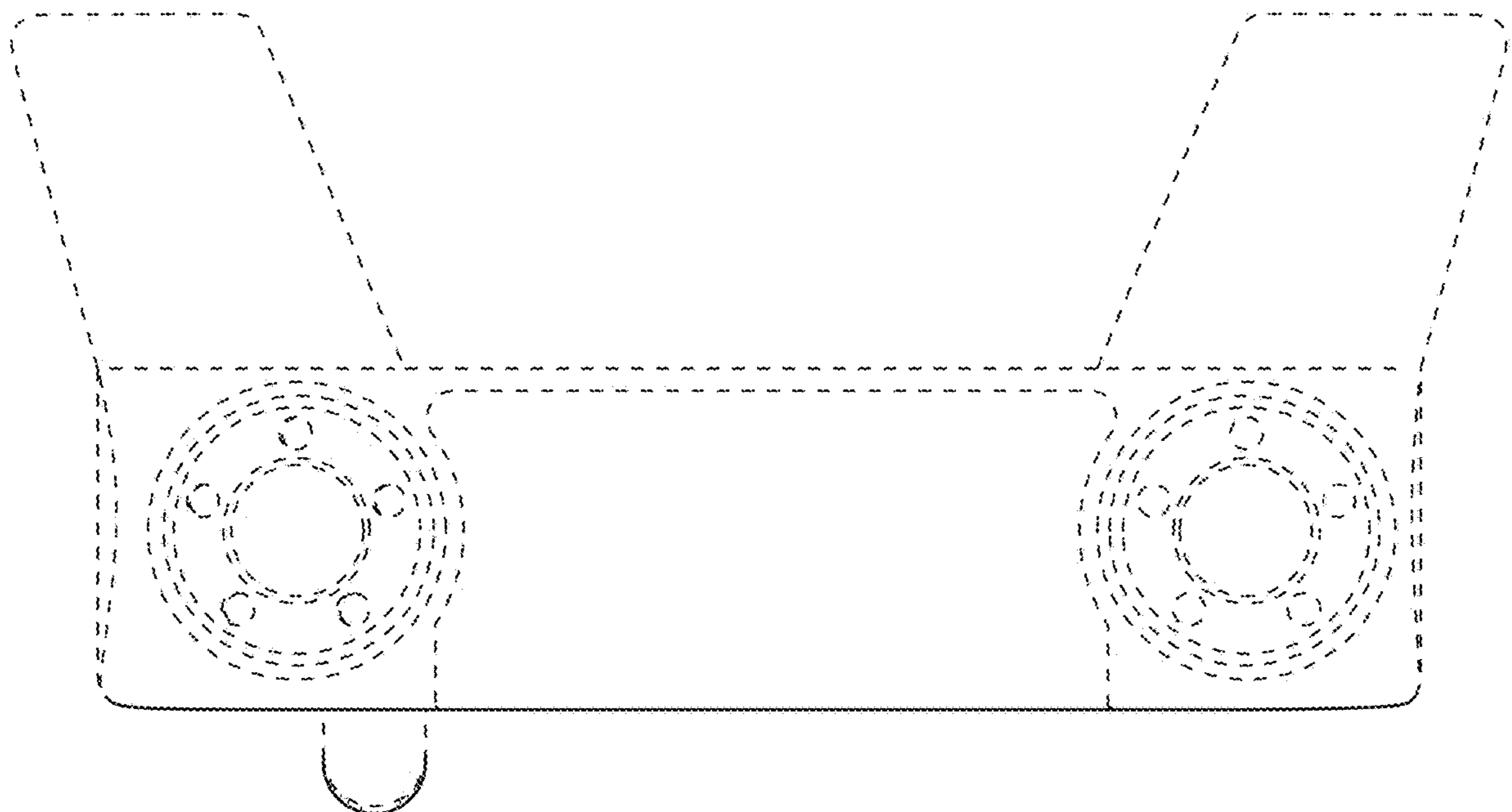


FIG. 3

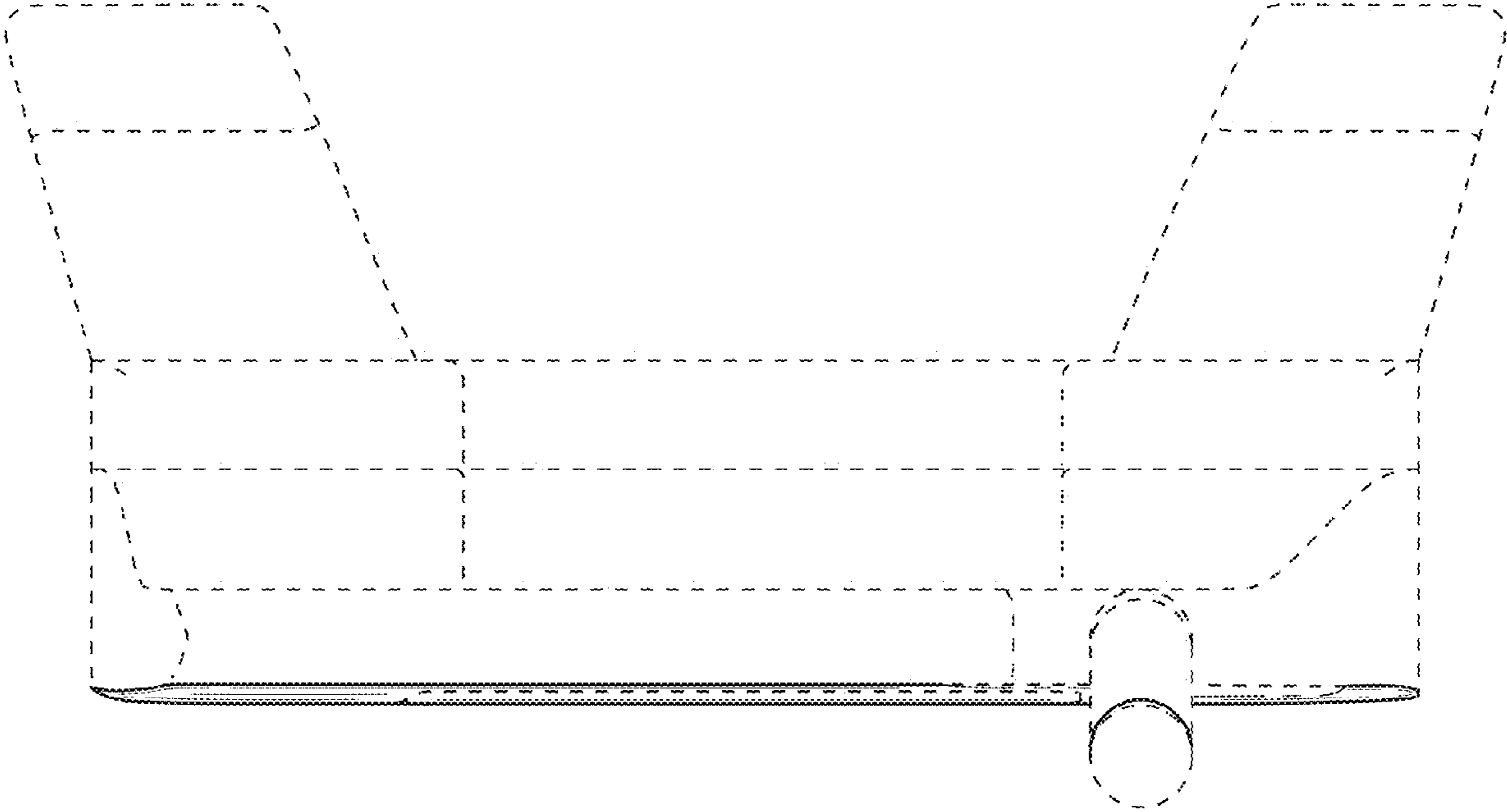


FIG. 4

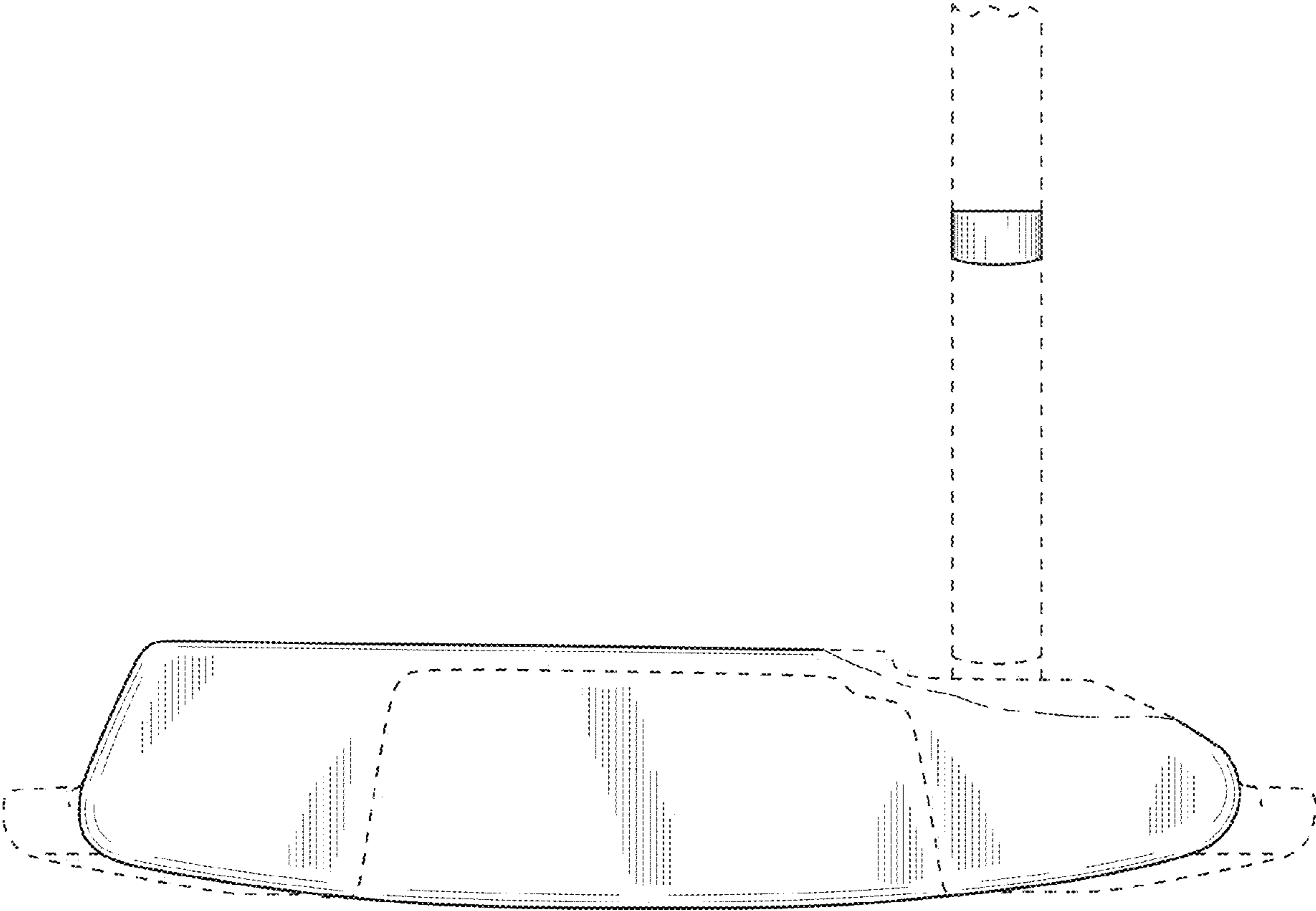


FIG. 5

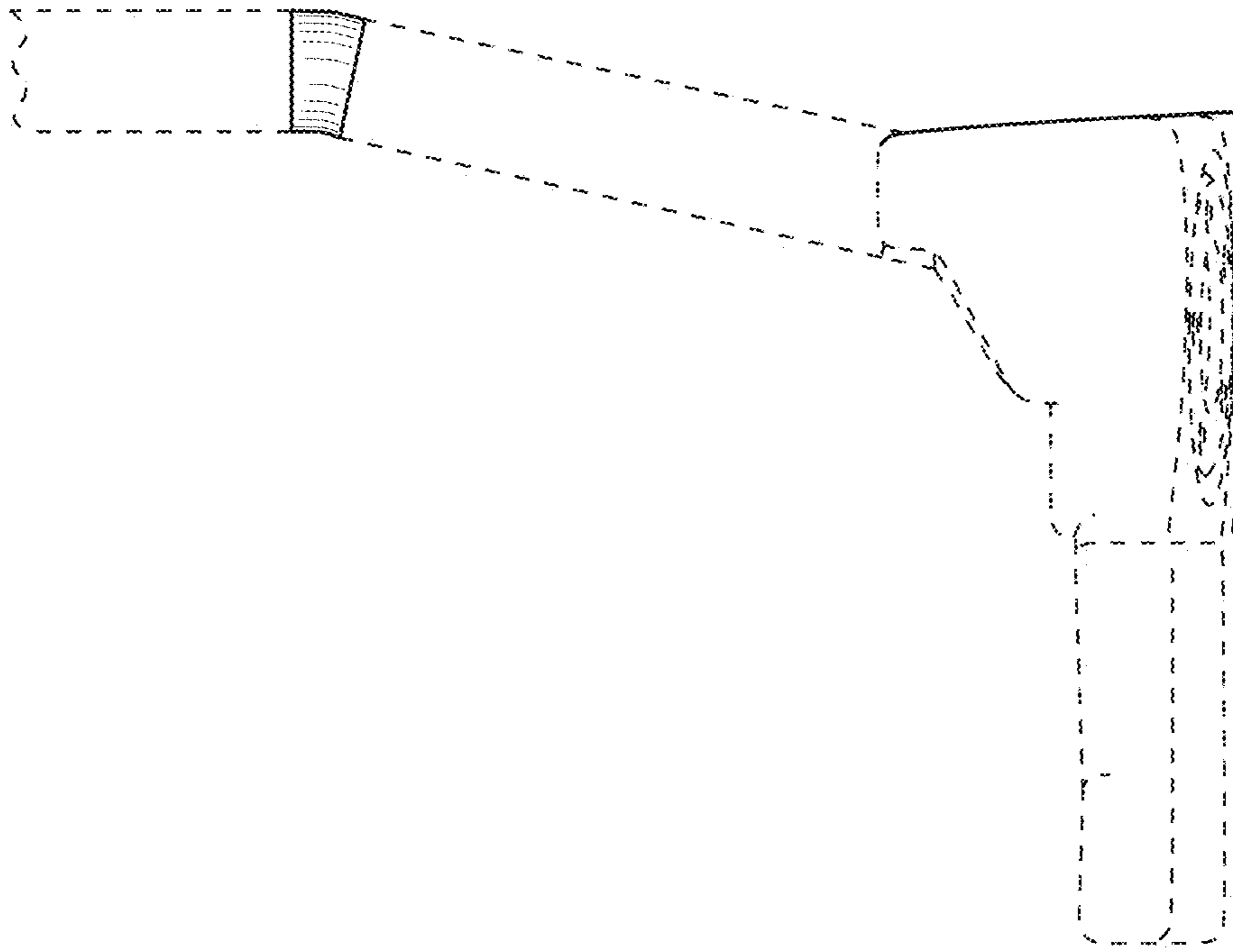


FIG. 7

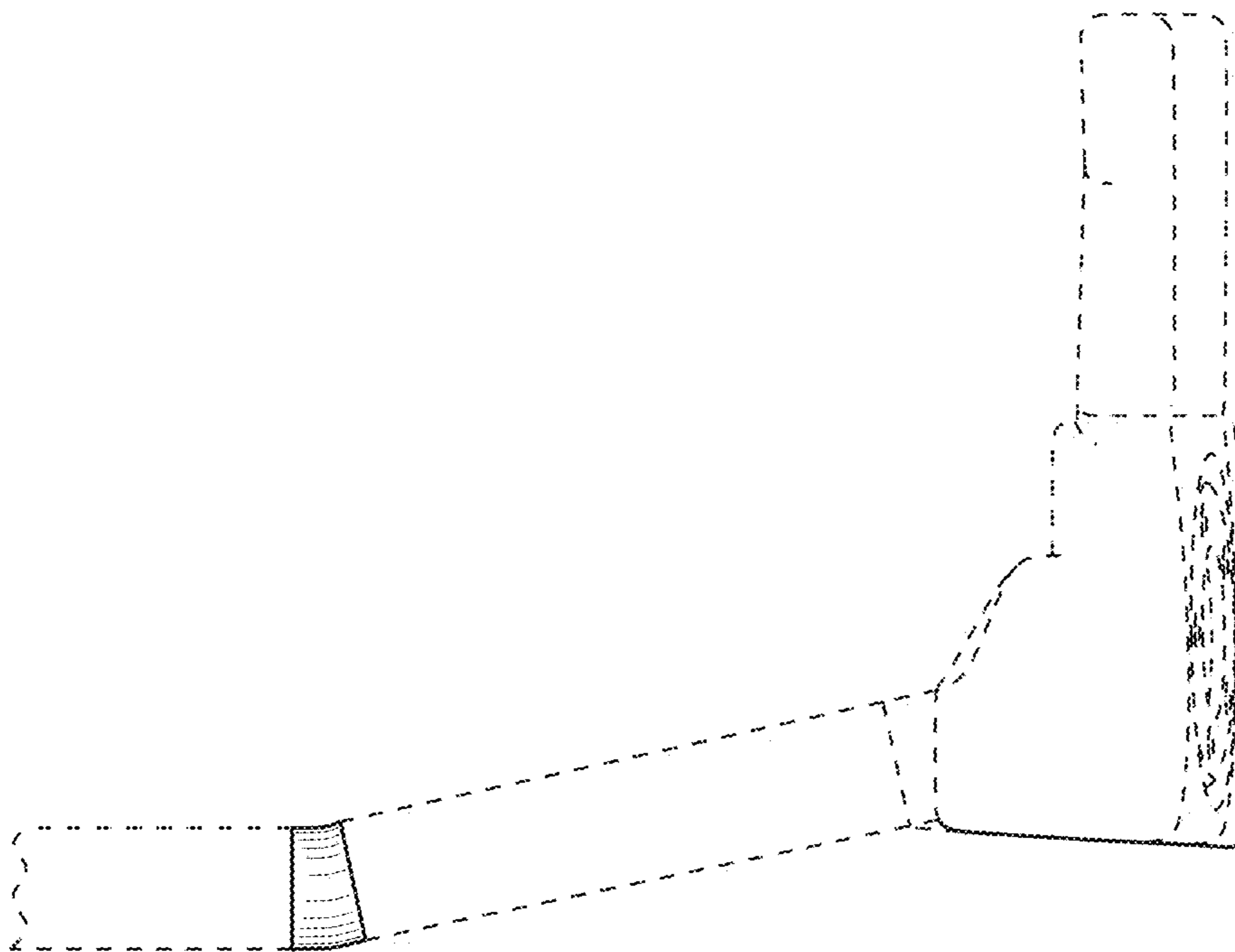


FIG. 6