



US00D877831S

(12) **United States Design Patent**
Cameron

(10) **Patent No.:** **US D877,831 S**

(45) **Date of Patent:** **** Mar. 10, 2020**

(54) **GOLF CLUB HEAD**

(71) Applicant: **Acushnet Company**, Fairhaven, MA
(US)

(72) Inventor: **Don T. Cameron**, Carlsbad, CA (US)

(73) Assignee: **Acushnet Company**, Fairhaven, MA
(US)

(**) Term: **15 Years**

(21) Appl. No.: **29/668,343**

(22) Filed: **Oct. 30, 2018**

(51) **LOC (12) Cl.** **21-02**

(52) **U.S. Cl.**
USPC **D21/736**

(58) **Field of Classification Search**
USPC D21/736-746, 759
CPC A63B 53/00; A63B 53/04; A63B 53/007;
A63B 53/065; A63B 53/0487; A63B
60/00; A63B 60/46

See application file for complete search history.

(56) **References Cited**

U.S. PATENT DOCUMENTS

D375,131 S	*	10/1996	Williams	D21/743
D461,514 S	*	8/2002	Tang	D21/742
D461,861 S	*	8/2002	Tang	D21/742
D569,460 S	*	5/2008	Walker	D21/743
D653,718 S	*	2/2012	Stokke	D21/743
D715,388 S	*	10/2014	Serrano	D21/743
D750,186 S	*	2/2016	Schweigert	D21/746

D774,607 S	*	12/2016	Serrano	D21/743
D774,610 S	*	12/2016	Serrano	D21/744
D783,745 S	*	4/2017	Chen	D21/743
D793,502 S	*	8/2017	Cardani	D21/743
D827,064 S	*	8/2018	Wypych	D21/743
D840,482 S	*	2/2019	Serrano	D21/736
D842,952 S	*	3/2019	Schweigert	D21/743
D848,562 S	*	5/2019	Nicolette	D21/736
D861,092 S	*	9/2019	Glorioso	D21/743
D864,325 S	*	10/2019	Rollinson	D21/743

* cited by examiner

Primary Examiner — Mitchell I. Siegel

(74) *Attorney, Agent, or Firm* — Randy K. Chang

(57) **CLAIM**

The ornamental design for golf club head, as shown and described.

DESCRIPTION

FIG. 1 is a perspective top view of my new design for a golf club head;

FIG. 2 is a top view thereof;

FIG. 3 is a front view thereof;

FIG. 4 is a bottom sole view thereof;

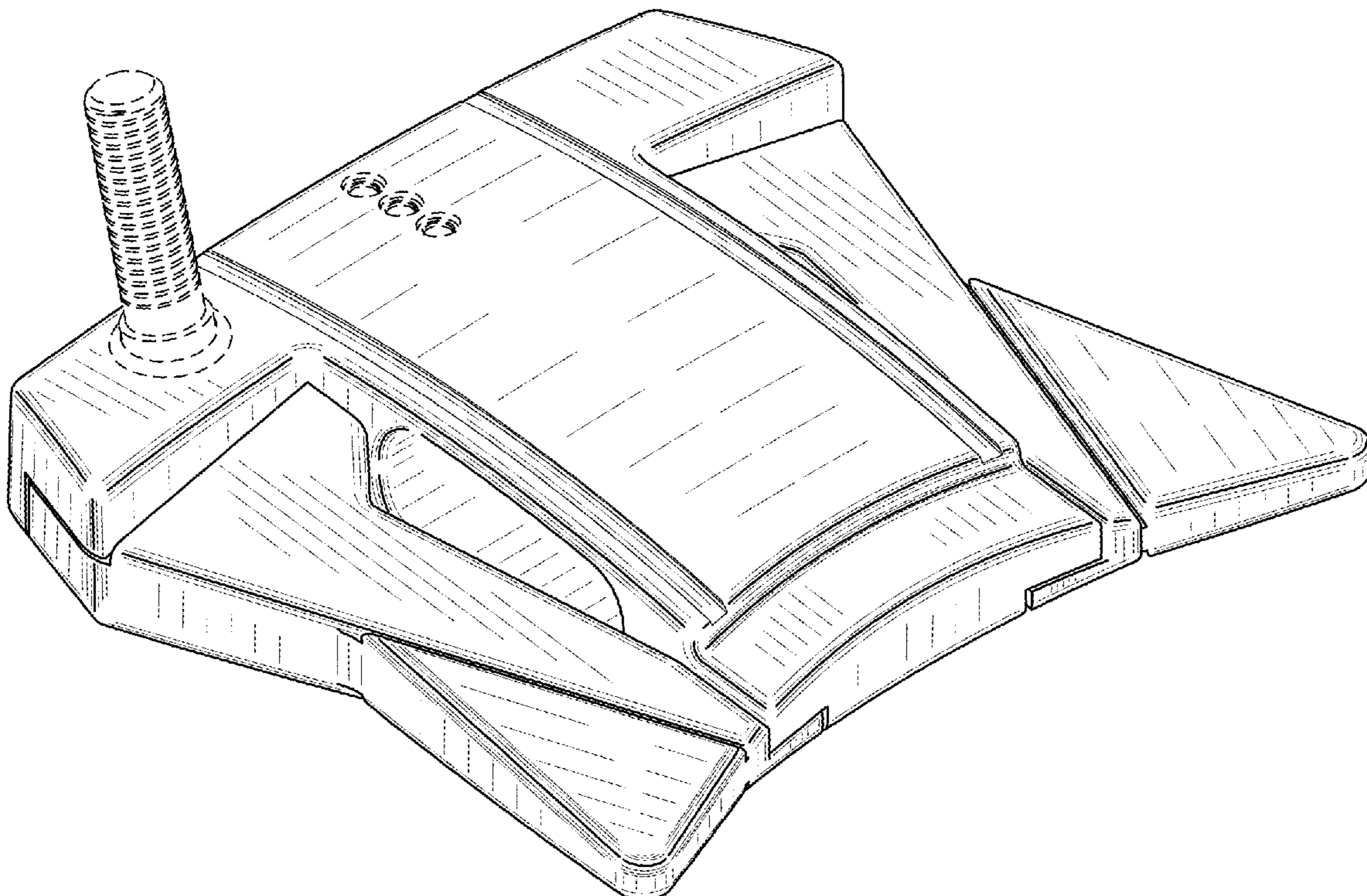
FIG. 5 is a back thereof;

FIG. 6 is a toe side view thereof; and,

FIG. 7 is a heel side view thereof.

The broken lines representing the unclaimed portions of the golf club head are presented here for the purpose of illustration, and form no part of the design.

1 Claim, 4 Drawing Sheets



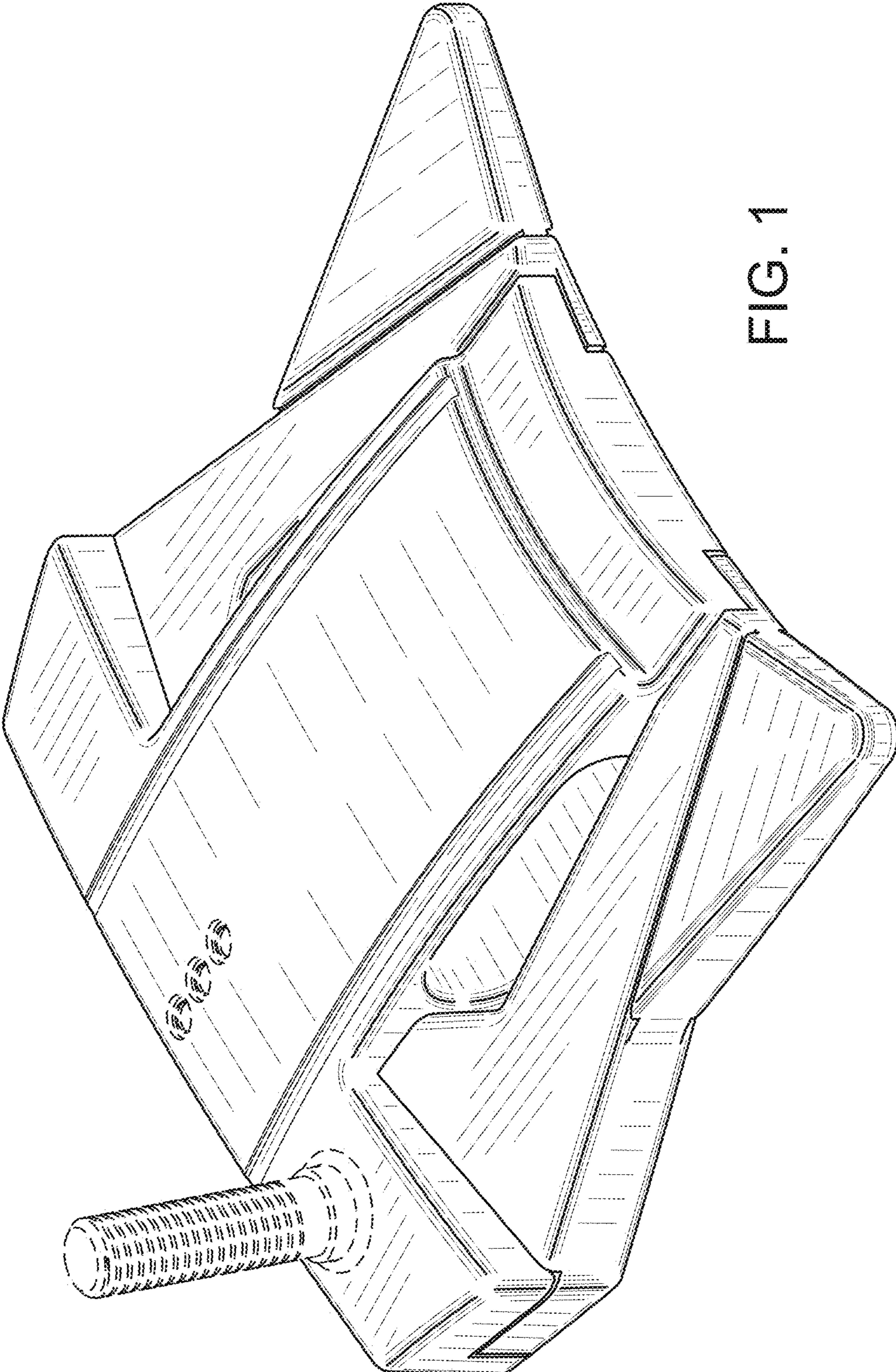


FIG. 1

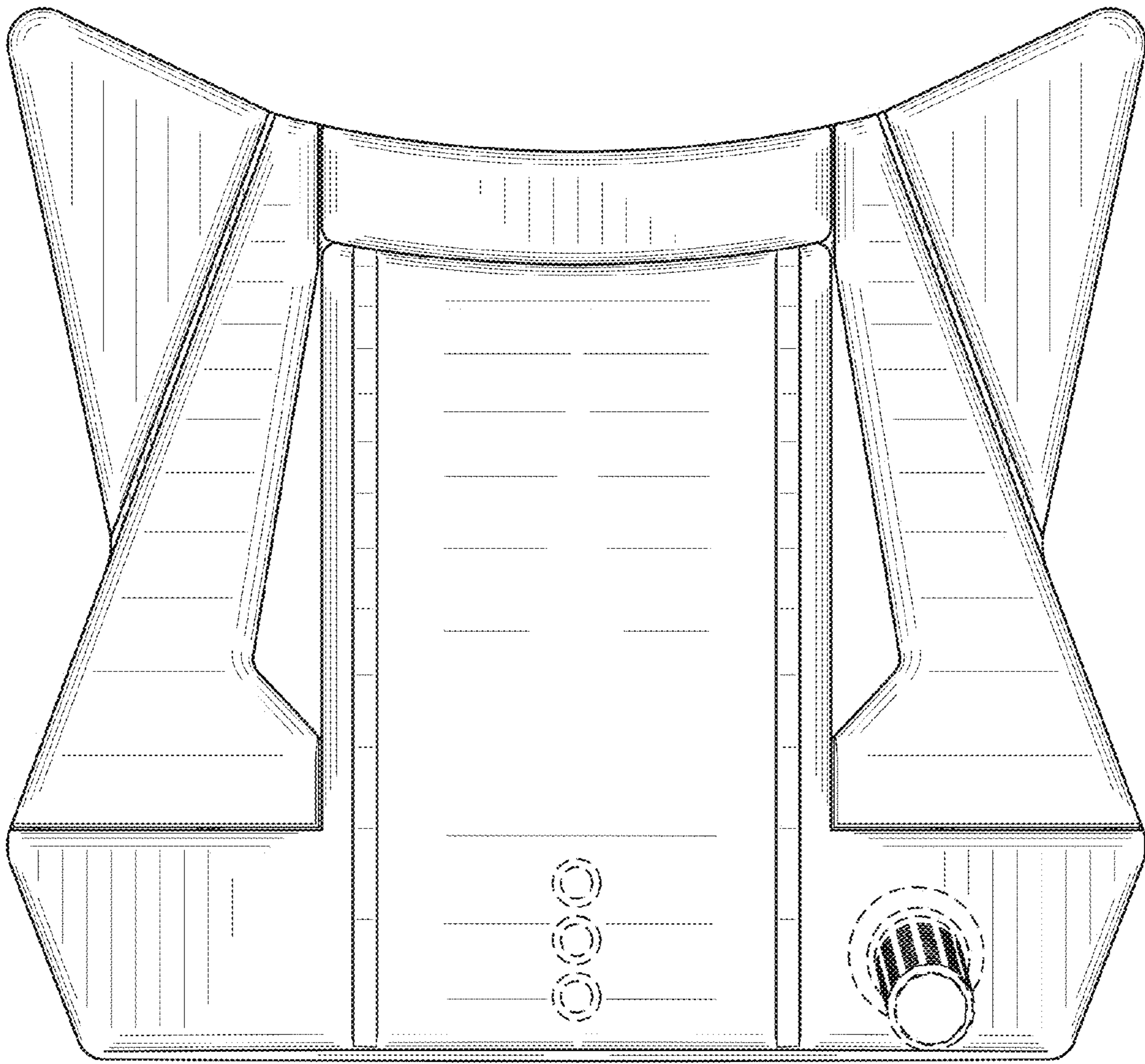


FIG. 2

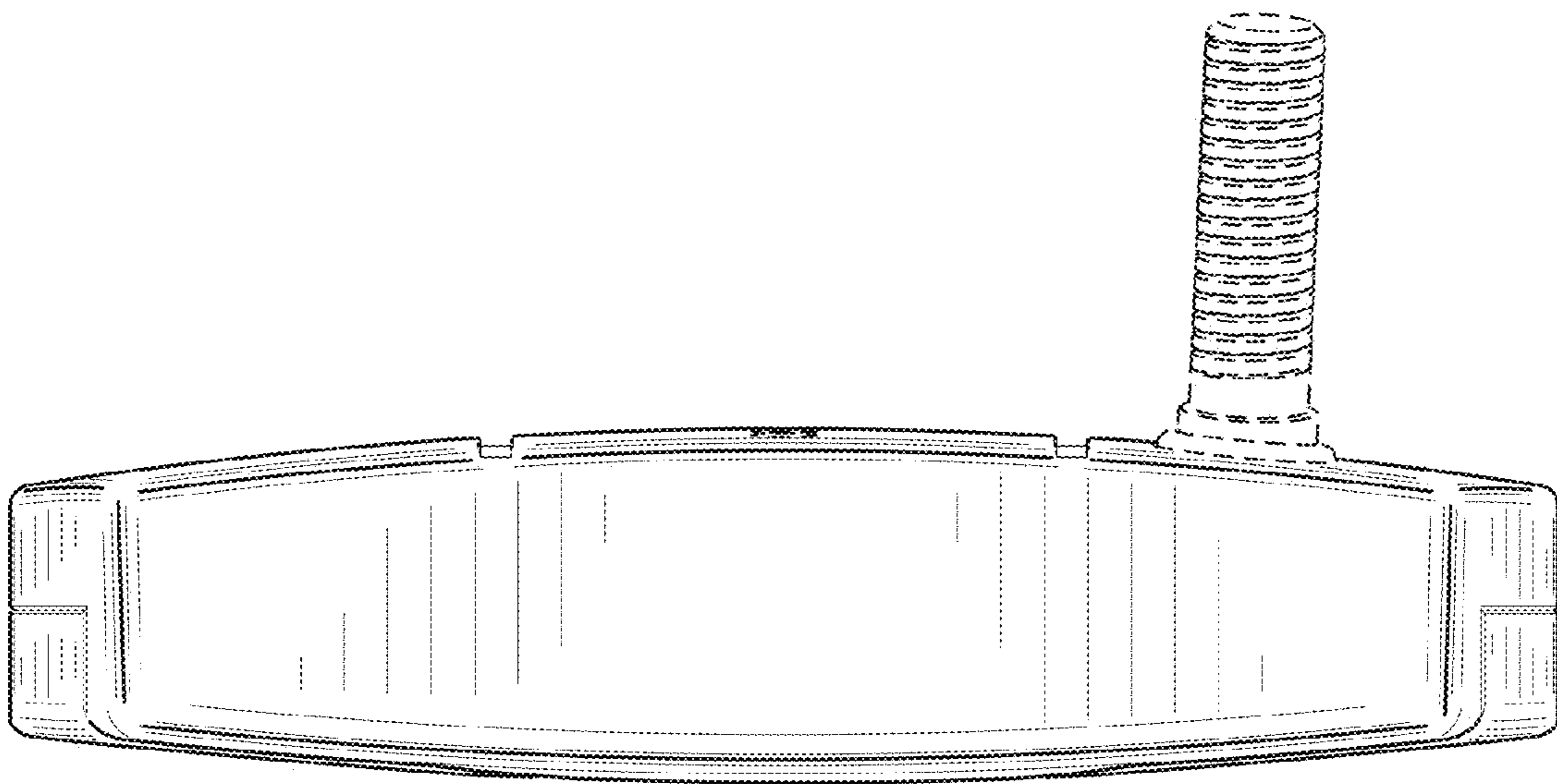


FIG. 3

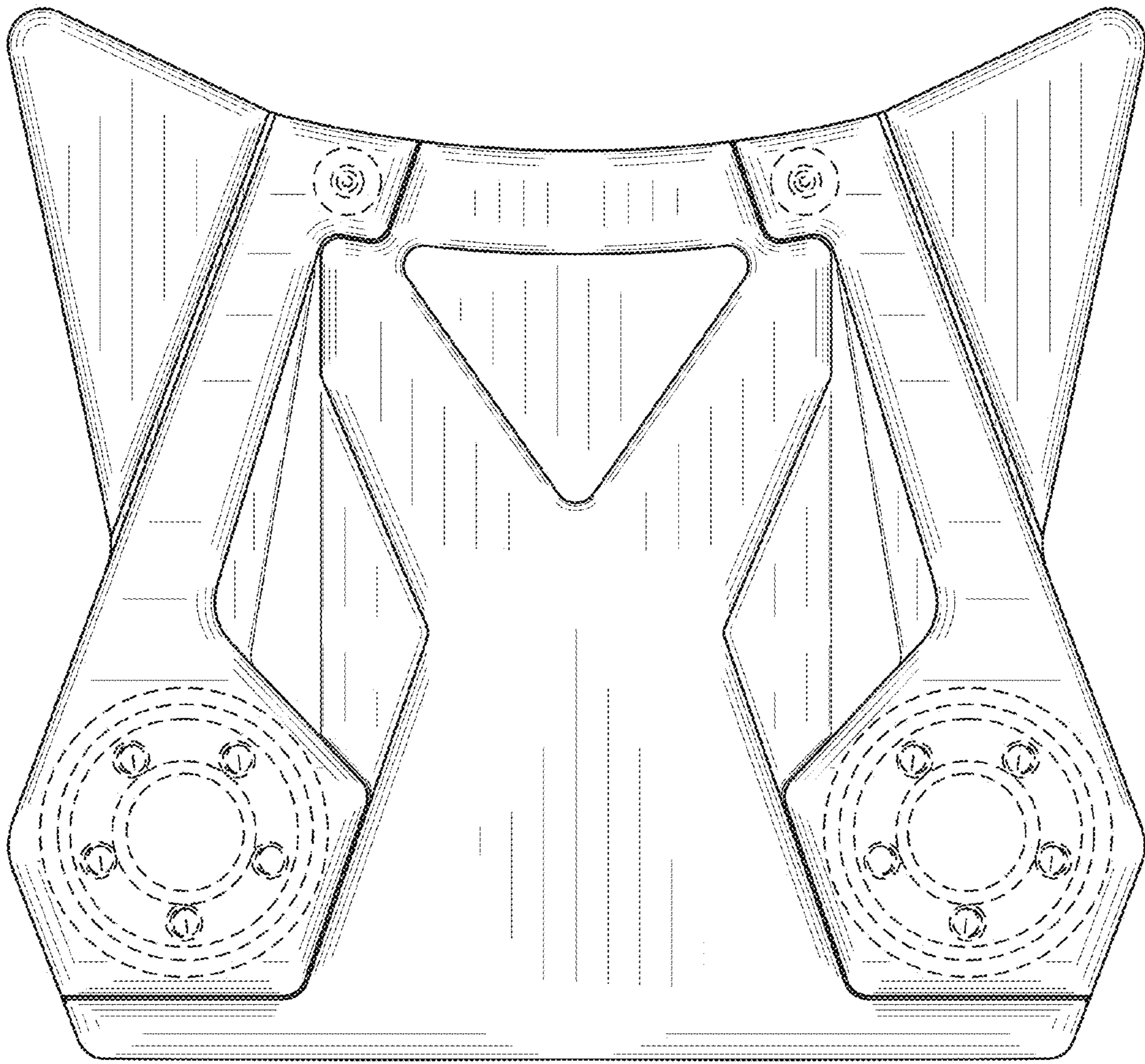


FIG. 4

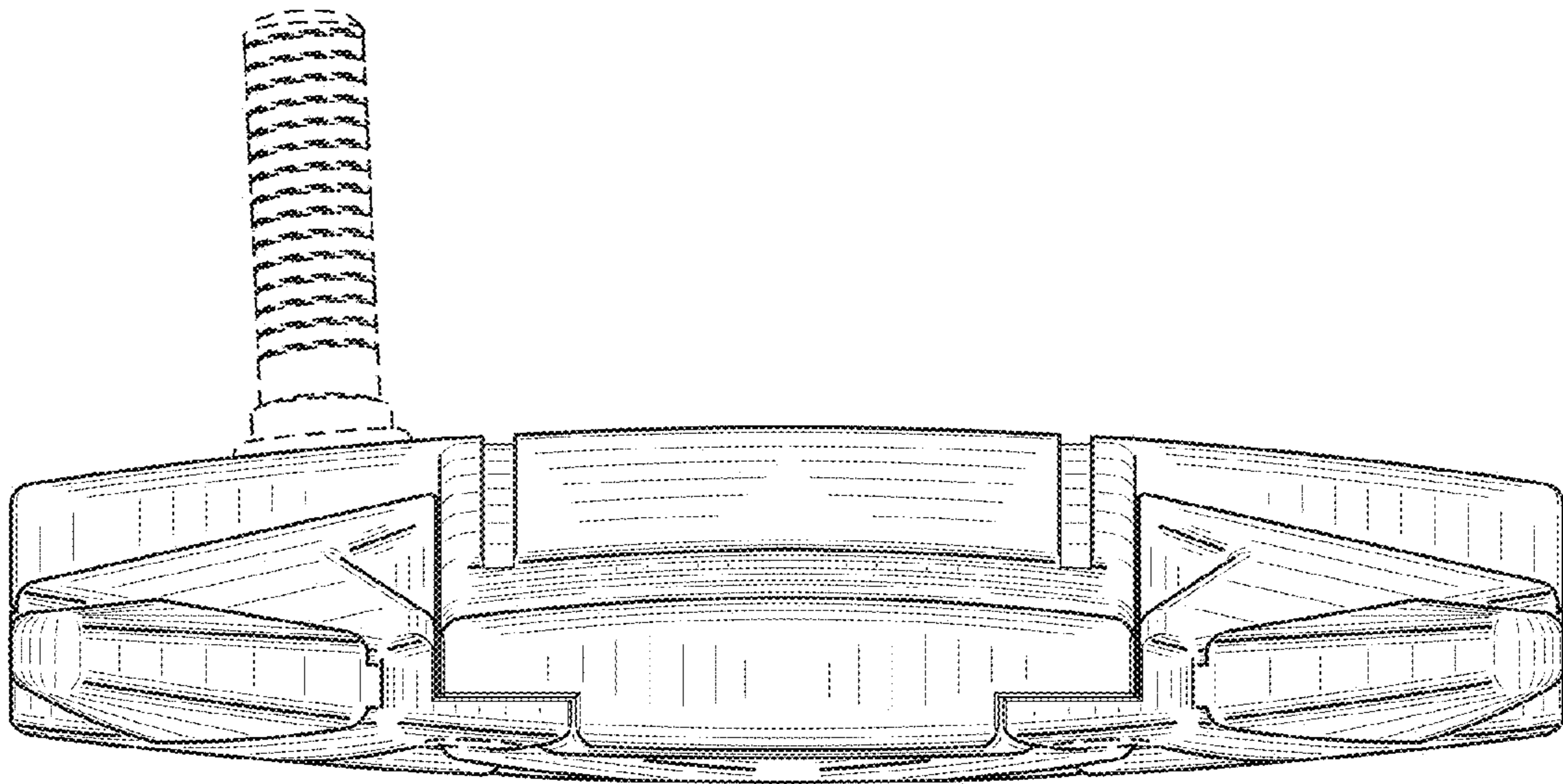


FIG. 5

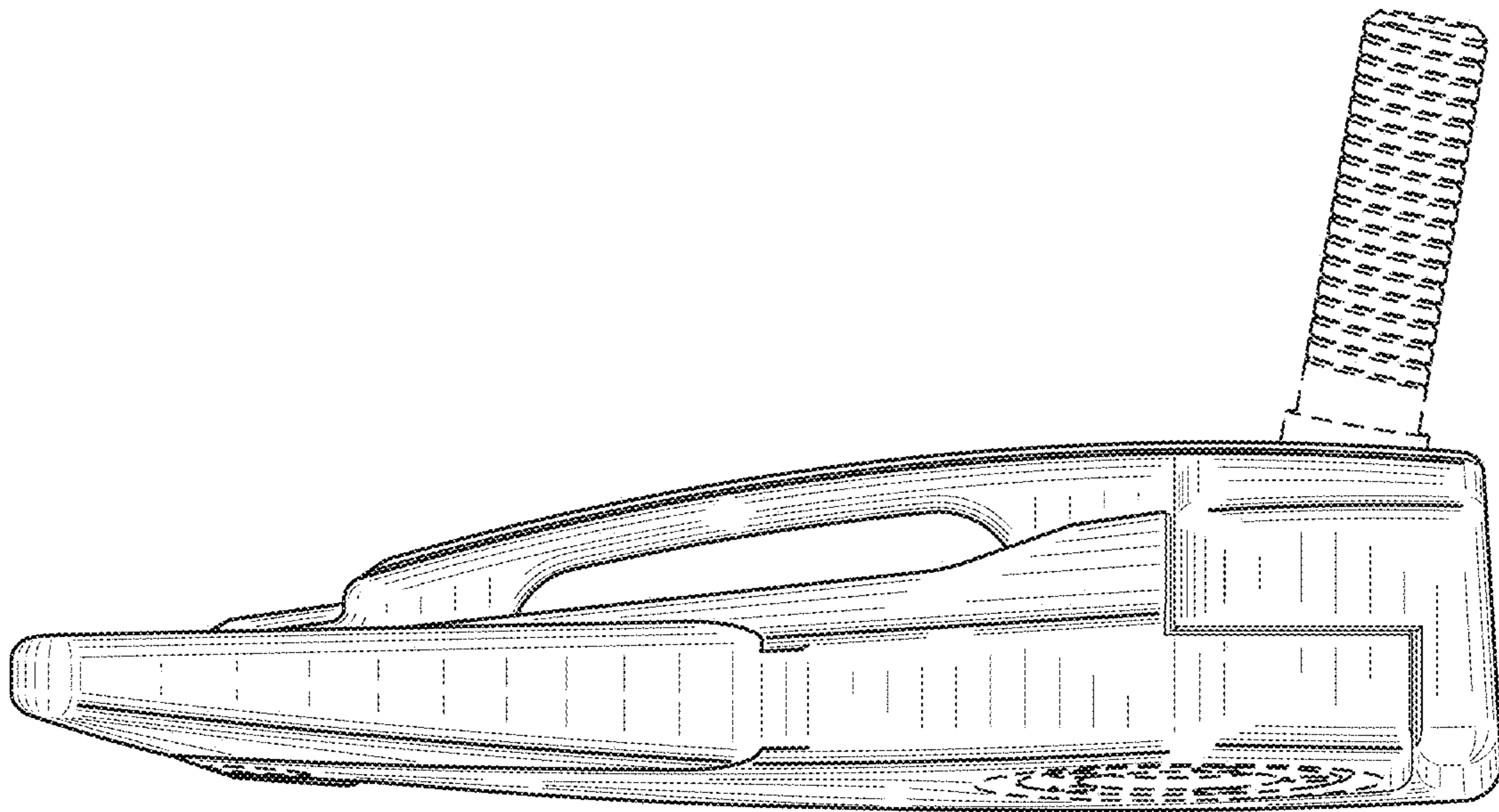


FIG. 6

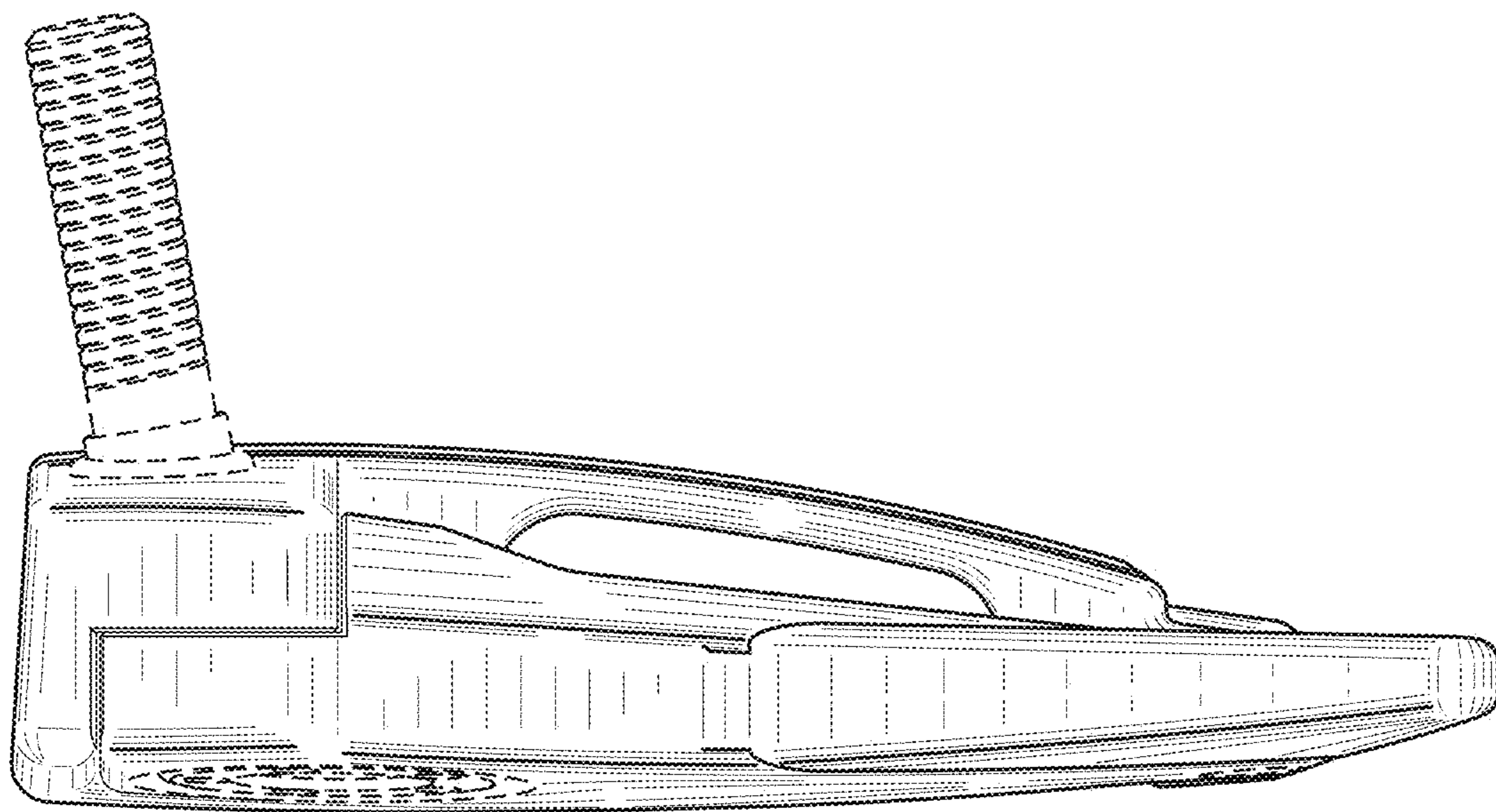


FIG. 7