



US00D877829S

(12) **United States Design Patent**
Cameron

(10) **Patent No.:** **US D877,829 S**

(45) **Date of Patent:** **** Mar. 10, 2020**

(54) **GOLF CLUB HEAD**

(71) Applicant: **Acushnet Company**, Fairhaven, MA
(US)

(72) Inventor: **Don T. Cameron**, Carlsbad, CA (US)

(73) Assignee: **Acushnet Company**, Fairhaven, MA
(US)

(**) Term: **15 Years**

(21) Appl. No.: **29/668,338**

(22) Filed: **Oct. 30, 2018**

(51) **LOC (12) Cl.** **21-02**

(52) **U.S. Cl.**
USPC **D21/736**

(58) **Field of Classification Search**
USPC D21/736-746, 759
CPC A63B 53/00; A63B 53/04; A63B 53/007;
A63B 53/065; A63B 53/0487; A63B
60/00; A63B 60/46

See application file for complete search history.

(56) **References Cited**

U.S. PATENT DOCUMENTS

D375,131 S	*	10/1996	Williams	D21/743
D461,514 S	*	8/2002	Tang	D21/742
D461,861 S	*	8/2002	Tang	D21/742
D569,460 S	*	5/2008	Walker	D21/743
D653,718 S	*	2/2012	Stokke	D21/743
D715,388 S	*	10/2014	Serrano	D21/743
D750,186 S	*	2/2016	Schweigert	D21/746

D774,607 S	*	12/2016	Serrano	D21/743
D774,610 S	*	12/2016	Serrano	D21/744
D783,745 S	*	4/2017	Chen	D21/743
D793,502 S	*	8/2017	Cardani	D21/743
D827,064 S	*	8/2018	Wypych	D21/743
D840,482 S	*	2/2019	Serrano	D21/736
D842,952 S	*	3/2019	Schweigert	D21/743
D848,562 S	*	5/2019	Nicolette	D21/736
D861,092 S	*	9/2019	Glorioso	D21/743
D864,325 S	*	10/2019	Rollinson	D21/743

* cited by examiner

Primary Examiner — Mitchell I. Siegel

(74) *Attorney, Agent, or Firm* — Randy K. Chang

(57) **CLAIM**

The ornamental design for golf club head, as shown and described.

DESCRIPTION

FIG. 1 is a perspective top view of my new design for a golf club head;

FIG. 2 is a top view thereof;

FIG. 3 is a front view thereof;

FIG. 4 is a bottom sole view thereof;

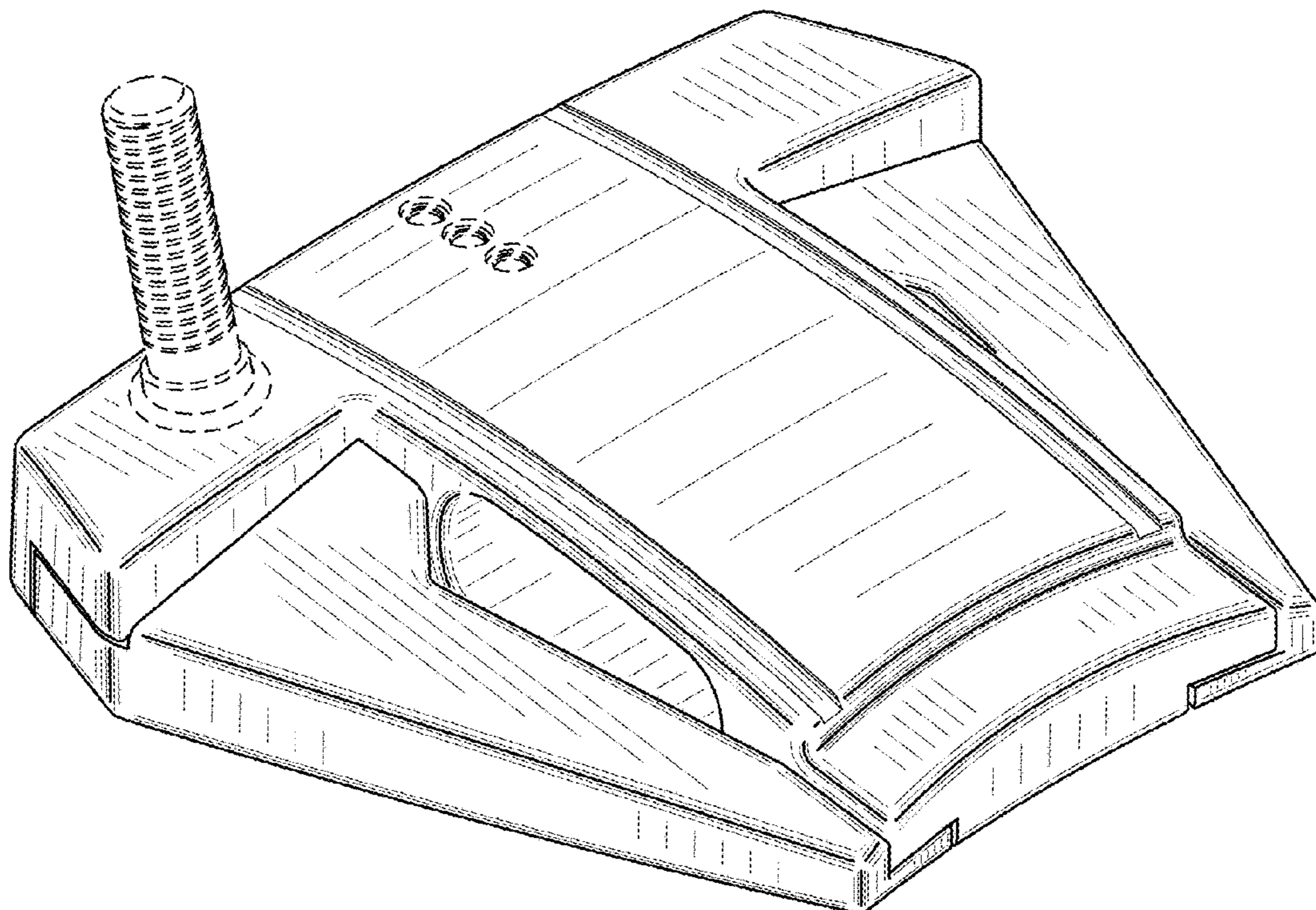
FIG. 5 is a back view thereof;

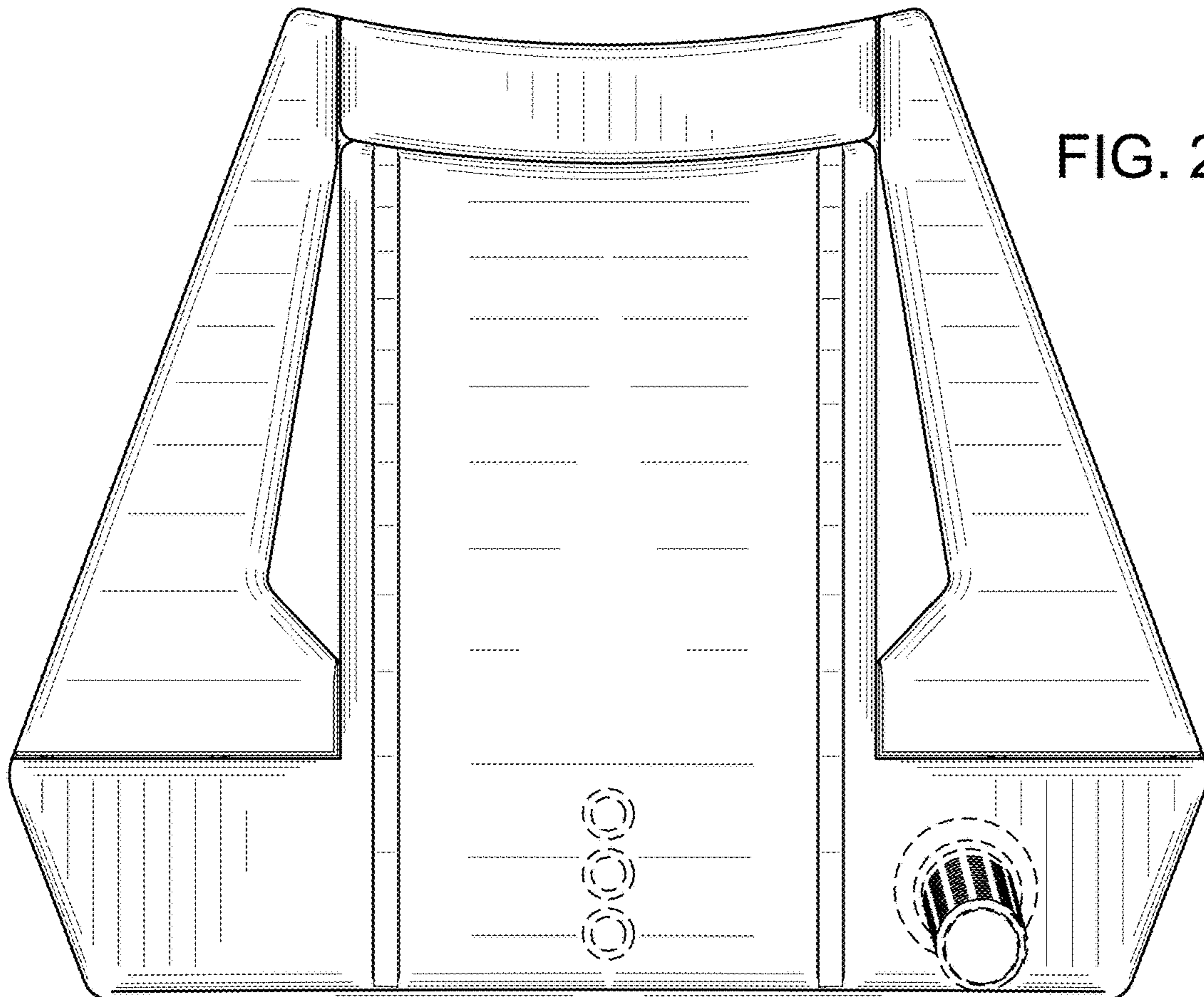
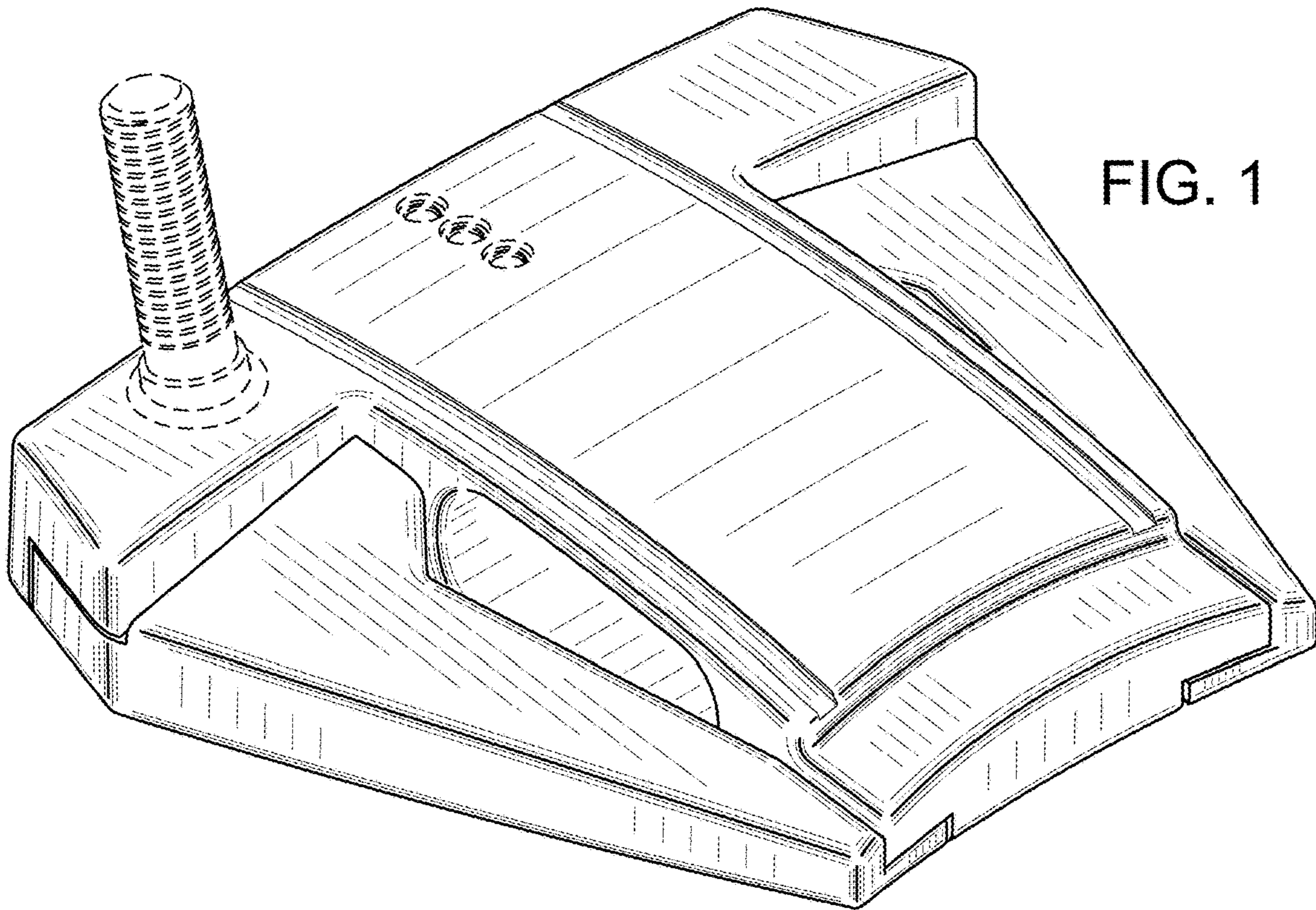
FIG. 6 is a heel view thereof; and,

FIG. 7 is a toe view thereof.

The broken lines representing the unclaimed portions of the golf club head are presented here for the purpose of illustration, and form no part of the design.

1 Claim, 3 Drawing Sheets





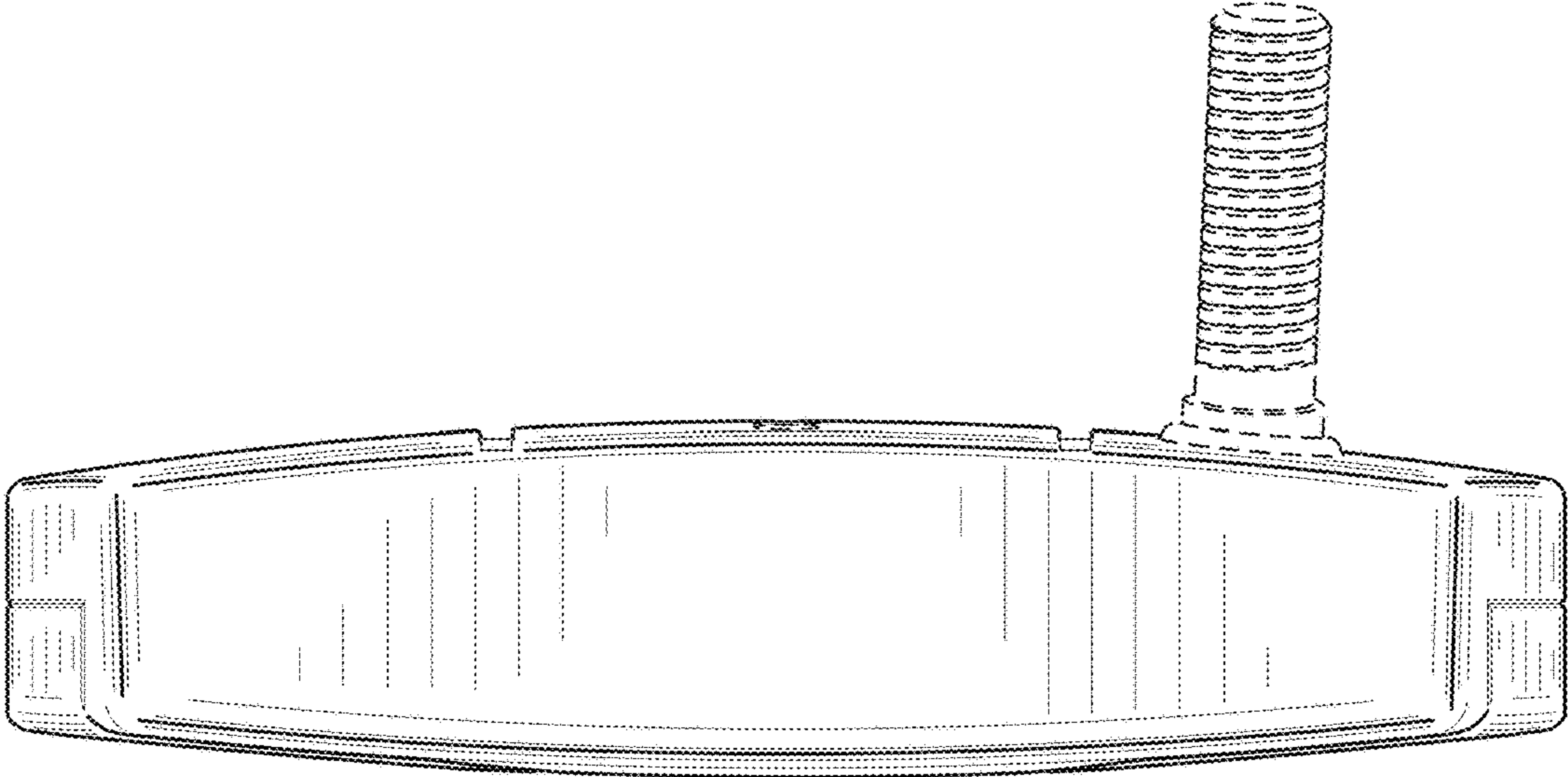


FIG. 3

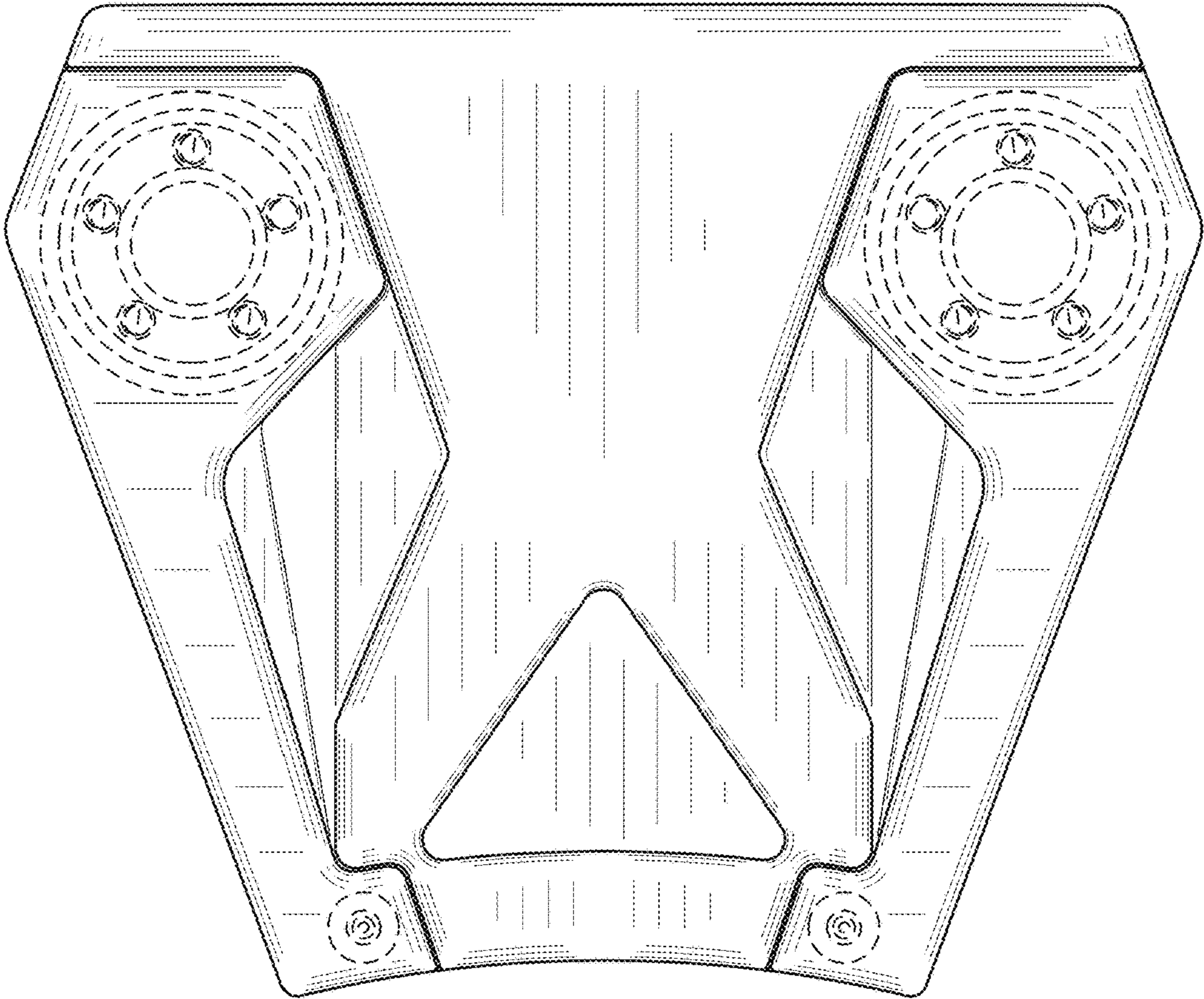


FIG. 4

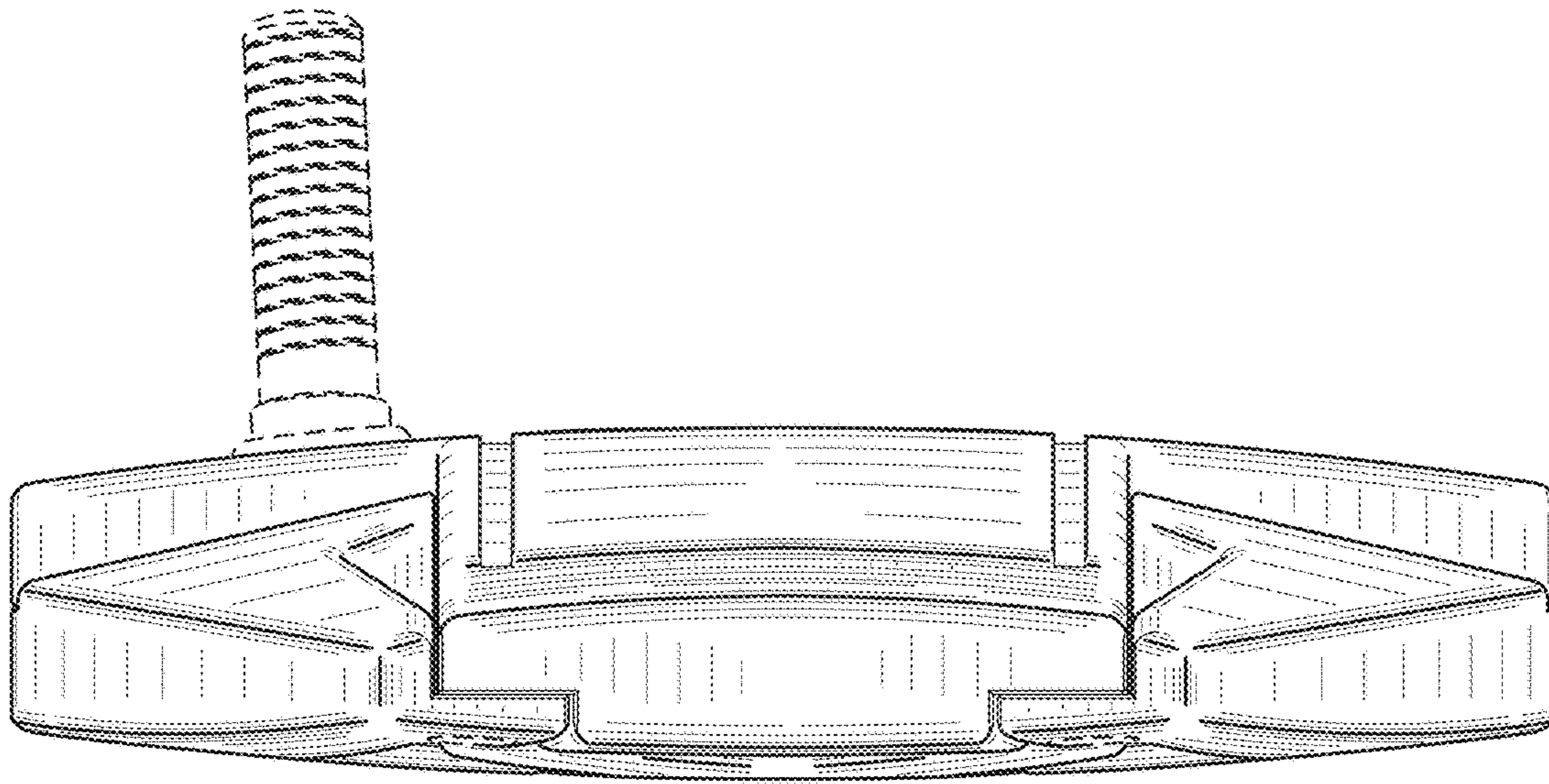


FIG. 5

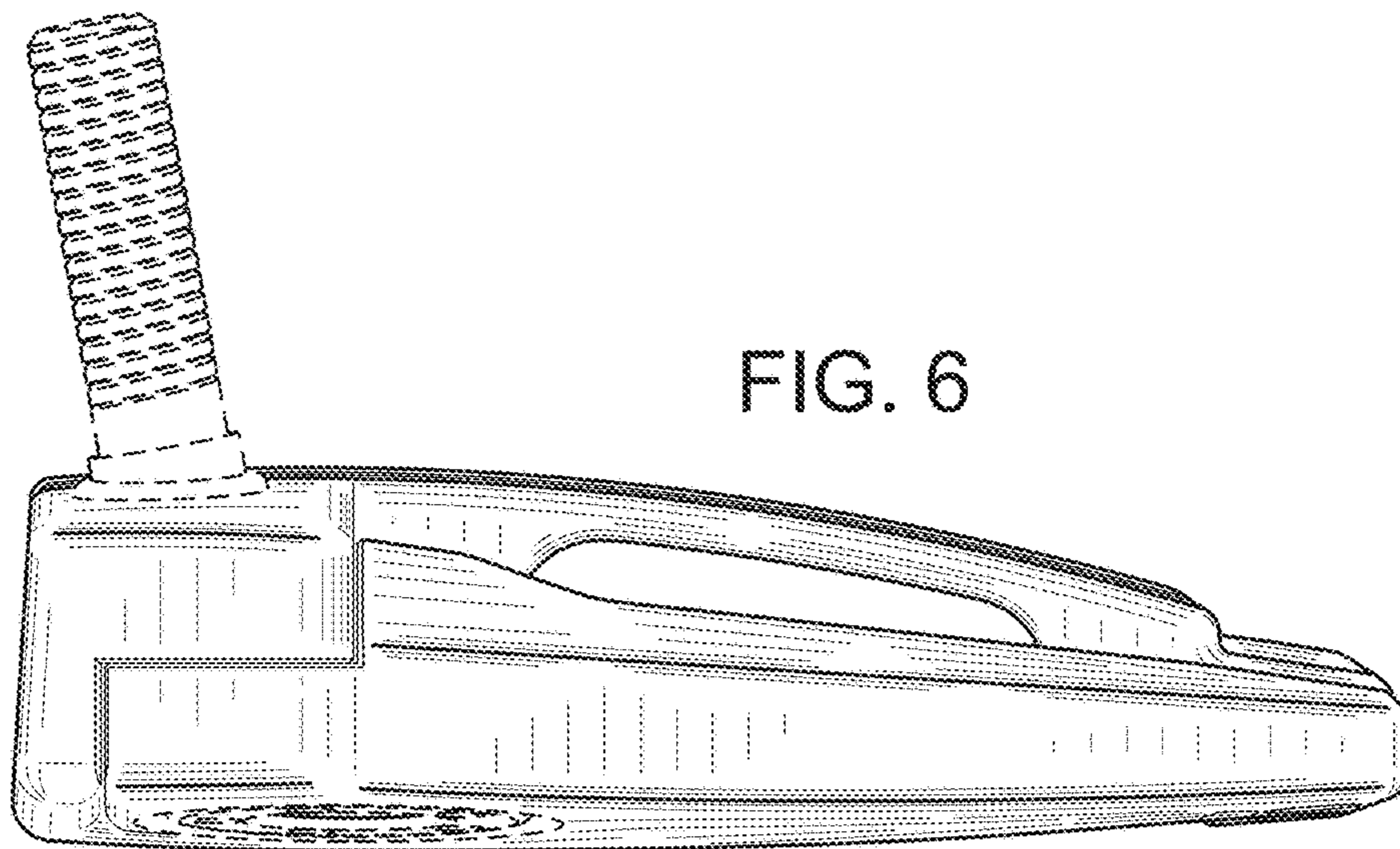


FIG. 6

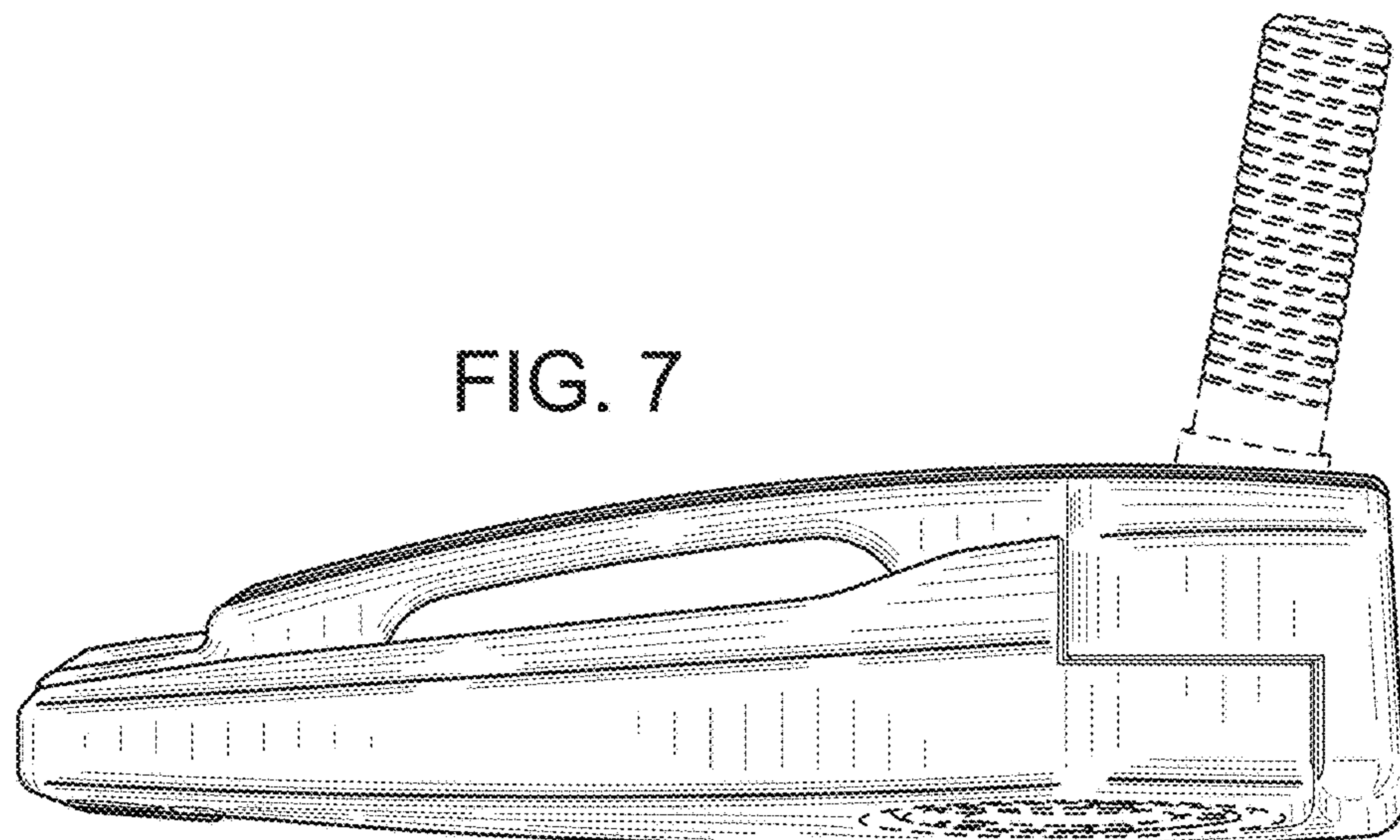


FIG. 7