



US00D877828S

(12) **United States Design Patent**
Gauvin

(10) **Patent No.:** **US D877,828 S**
(45) **Date of Patent:** **** Mar. 10, 2020**

- (54) **GOLF TEE**
- (71) Applicant: **NOVA STRATE INC.**, Lac Brome, Quebec (CA)
- (72) Inventor: **Serge Gauvin**, Lac Brome (CA)
- (73) Assignee: **NOVA STRATE INC.**, Lac Brome (CA)
- (**) Term: **15 Years**
- (21) Appl. No.: **29/654,196**
- (22) Filed: **Jun. 21, 2018**
- (51) **LOC (12) Cl.** **21-02**
- (52) **U.S. Cl.**
USPC **D21/718**
- (58) **Field of Classification Search**
USPC D21/715-719, 789, 793, 794, 796, 840;
473/387-403
CPC A63B 57/10-19
See application file for complete search history.

- D559,926 S * 1/2008 Wood D21/718
- D586,411 S * 2/2009 Iacono D21/717
- D651,266 S * 12/2011 Swagel D21/718
- 2006/0258484 A1* 11/2006 Willis A63B 57/10
473/387
- 2014/0309057 A1* 10/2014 Reams A63B 57/10
473/387
- 2018/0280773 A1* 10/2018 Whalen A63B 57/19

* cited by examiner

Primary Examiner — Catherine A Tuttle
(74) *Attorney, Agent, or Firm* — Brouillette Legal Inc.;
Robert Brouillette

(57) **CLAIM**

The ornamental design for a golf tee, as shown and described.

DESCRIPTION

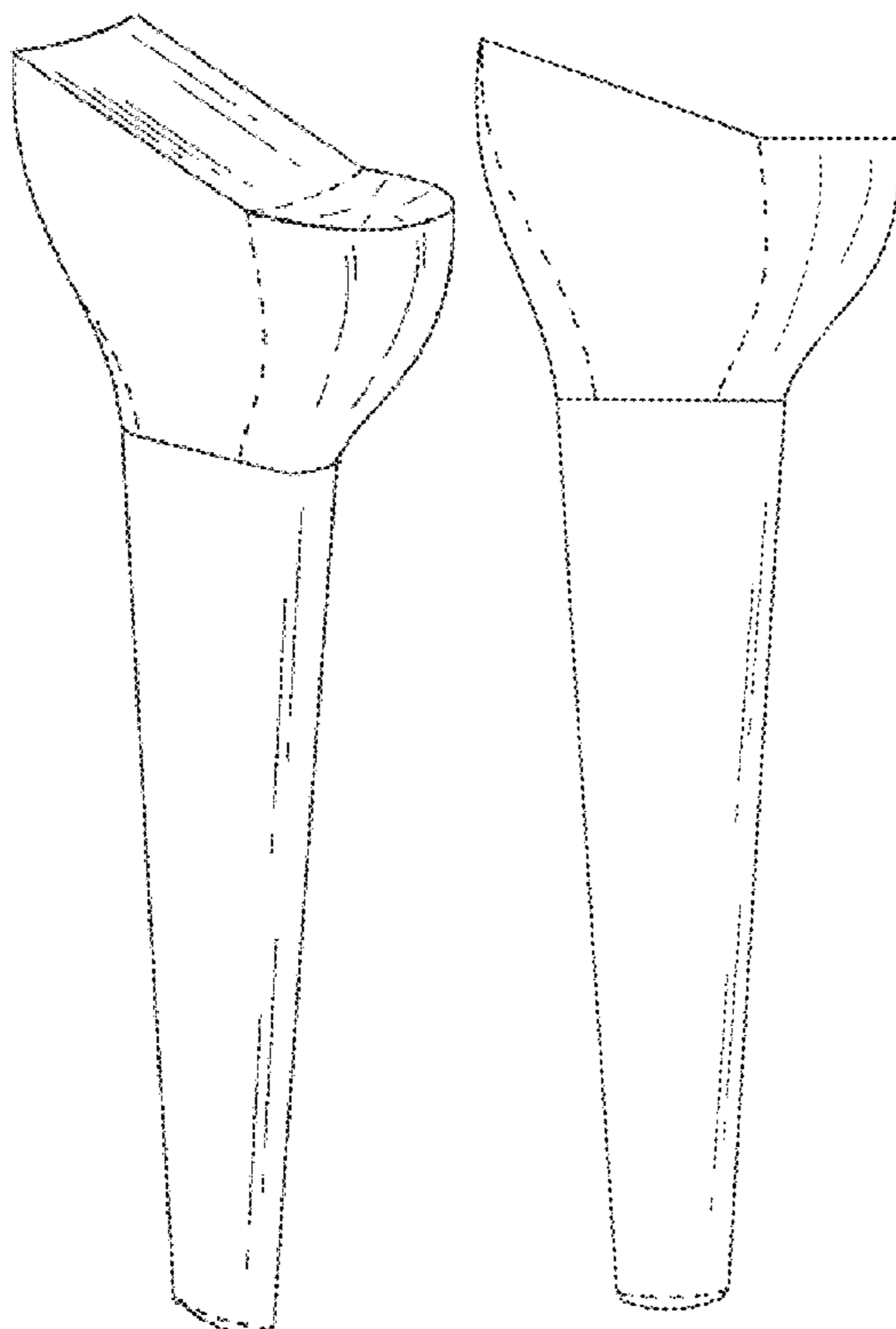
FIG. 1 is a rear perspective view of the golf tee showing my new design;
FIG. 2 is a front perspective view thereof;
FIG. 3 is a front elevation view thereof;
FIG. 4 is a rear elevation view thereof;
FIG. 5 is a right side elevation view thereof;
FIG. 6 is a left side elevation view thereof;
FIG. 7 is a top plan view thereof; and,
FIG. 8 is a bottom plan view thereof.
The broken lines shown on the drawings depict features of the golf tee that form no part of the claimed design.

1 Claim, 6 Drawing Sheets

(56) **References Cited**

U.S. PATENT DOCUMENTS

- 1,671,813 A * 5/1928 Clarke A63B 57/19
473/403
- 2,855,705 A * 10/1958 Goodman A43B 21/00
36/34 A
- D219,347 S * 12/1970 Letts D21/718
- 4,418,909 A * 12/1983 Messana A63B 57/10
473/396
- D331,271 S * 11/1992 Blake D21/718



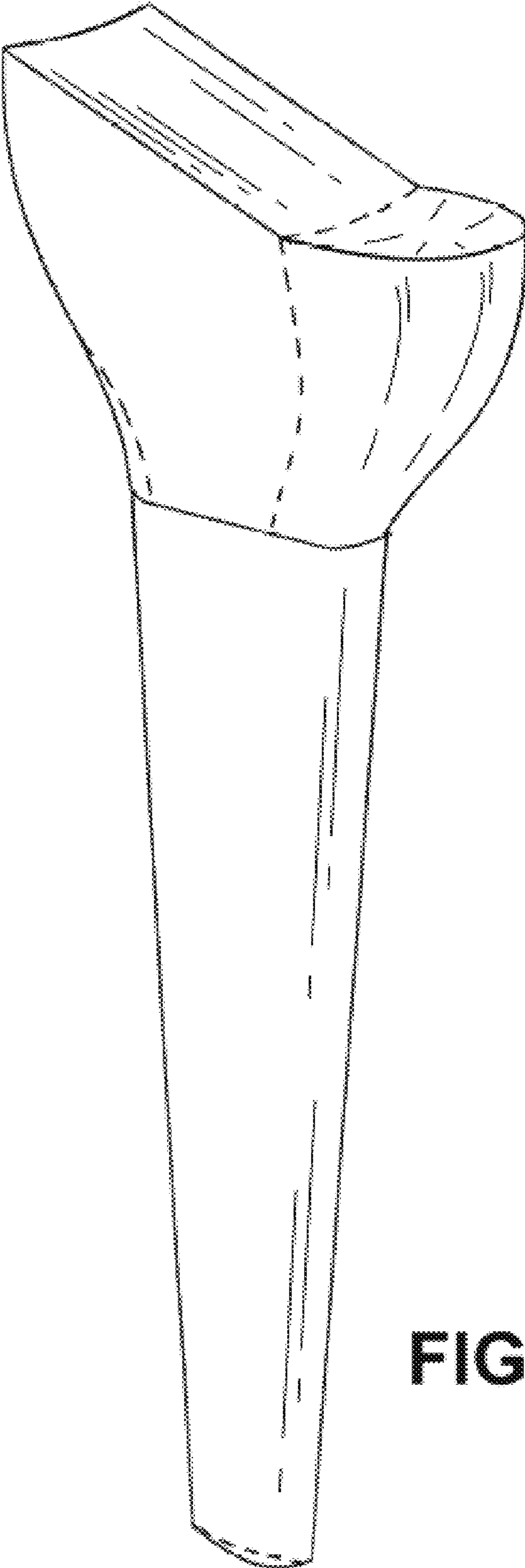


FIG. 1

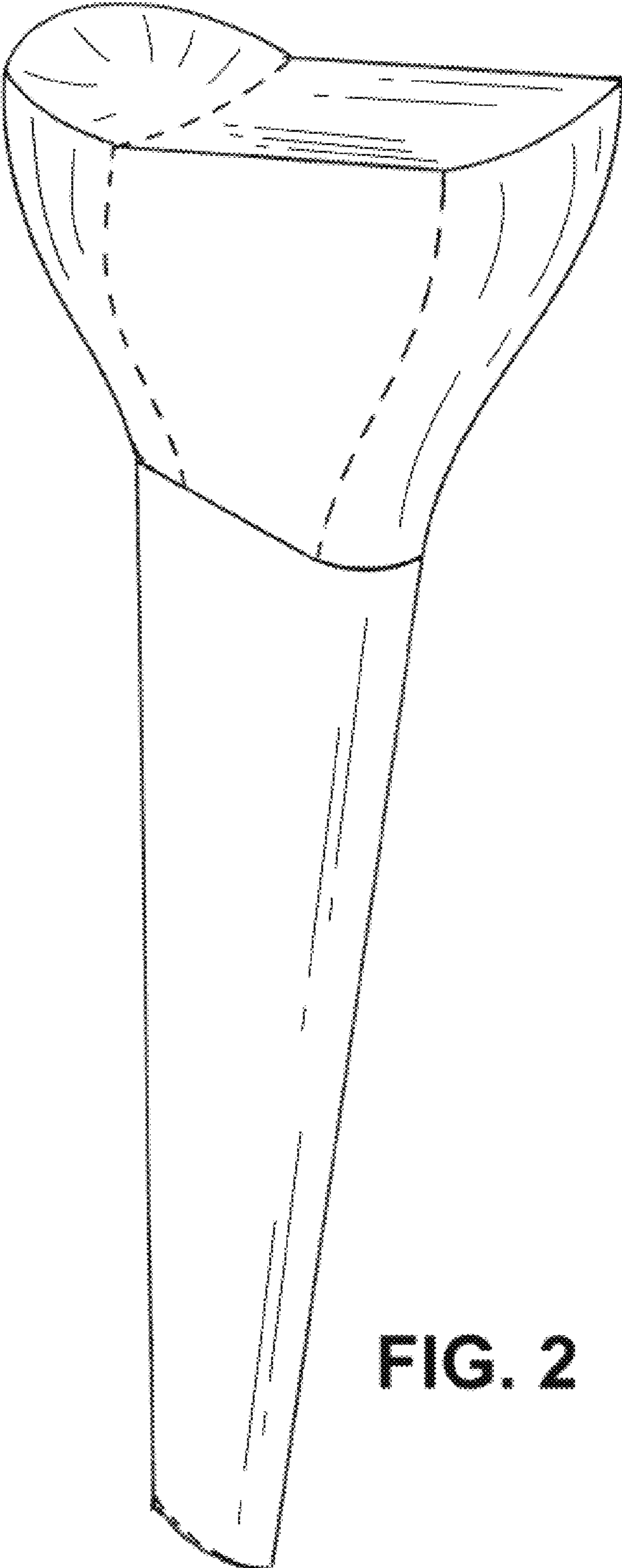


FIG. 2

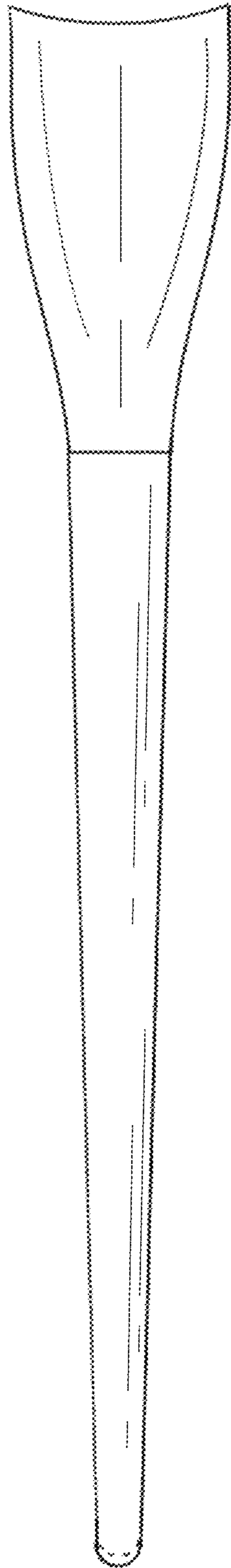


FIG. 3

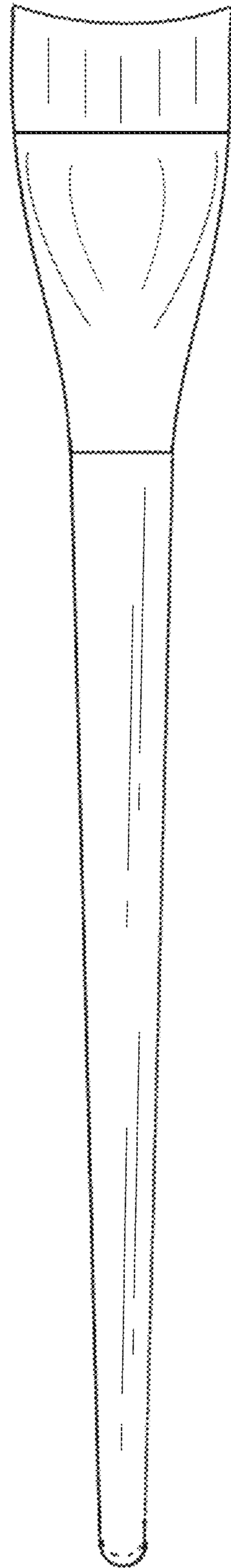


FIG. 4

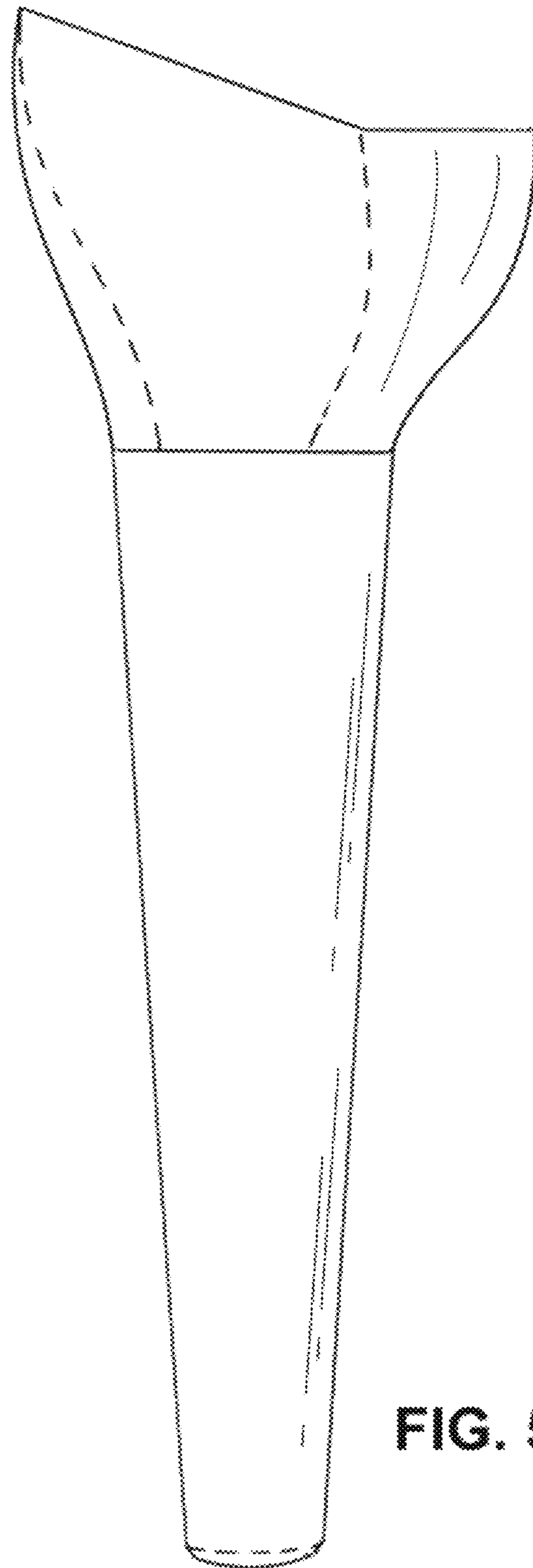


FIG. 5

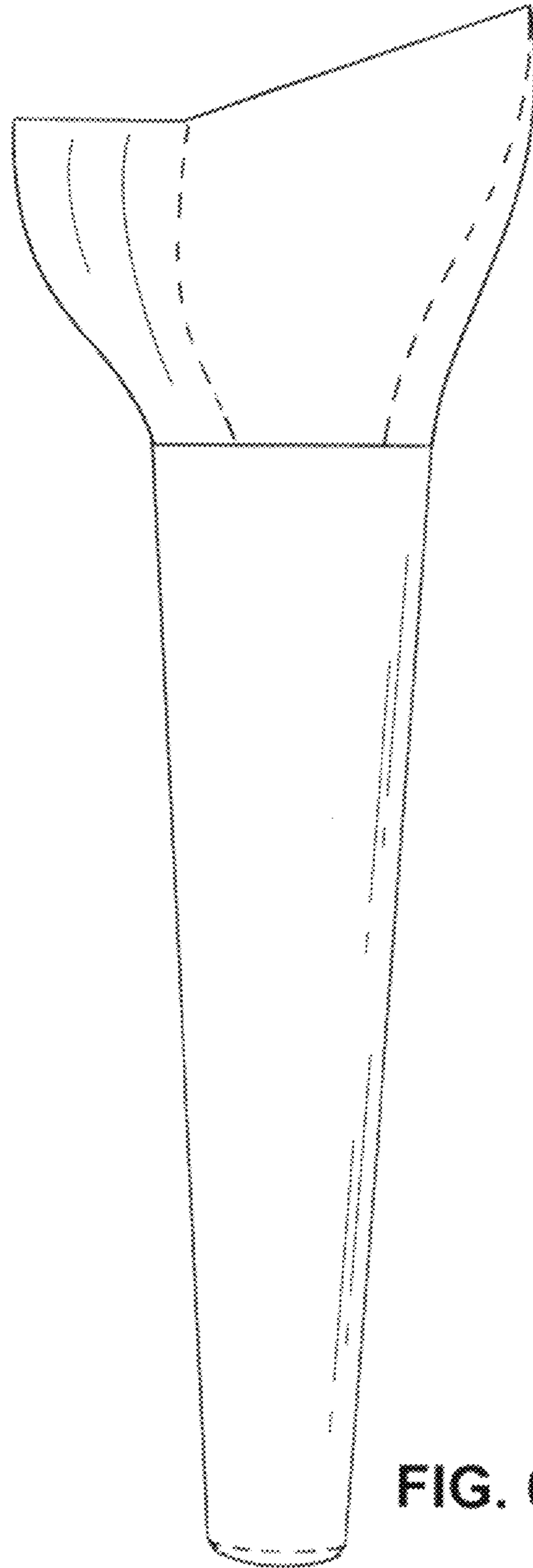


FIG. 6

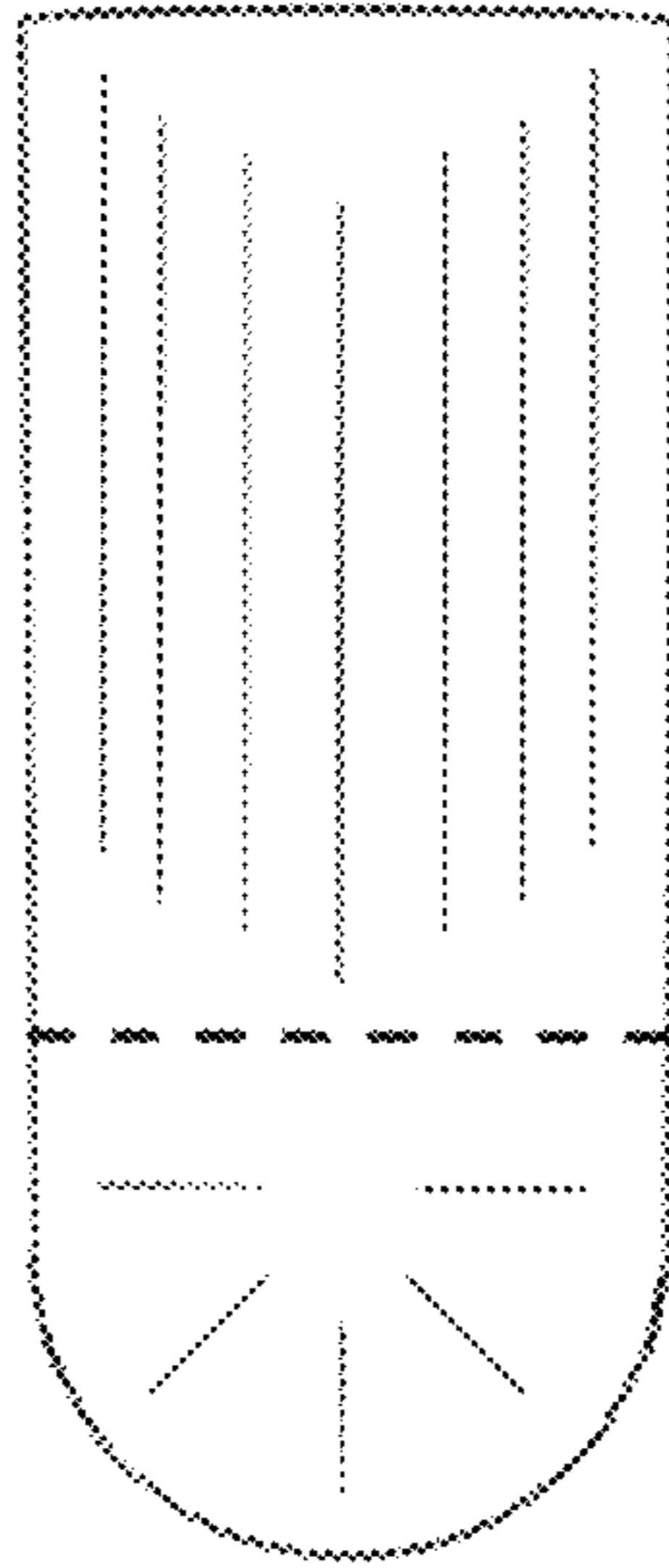


FIG. 7

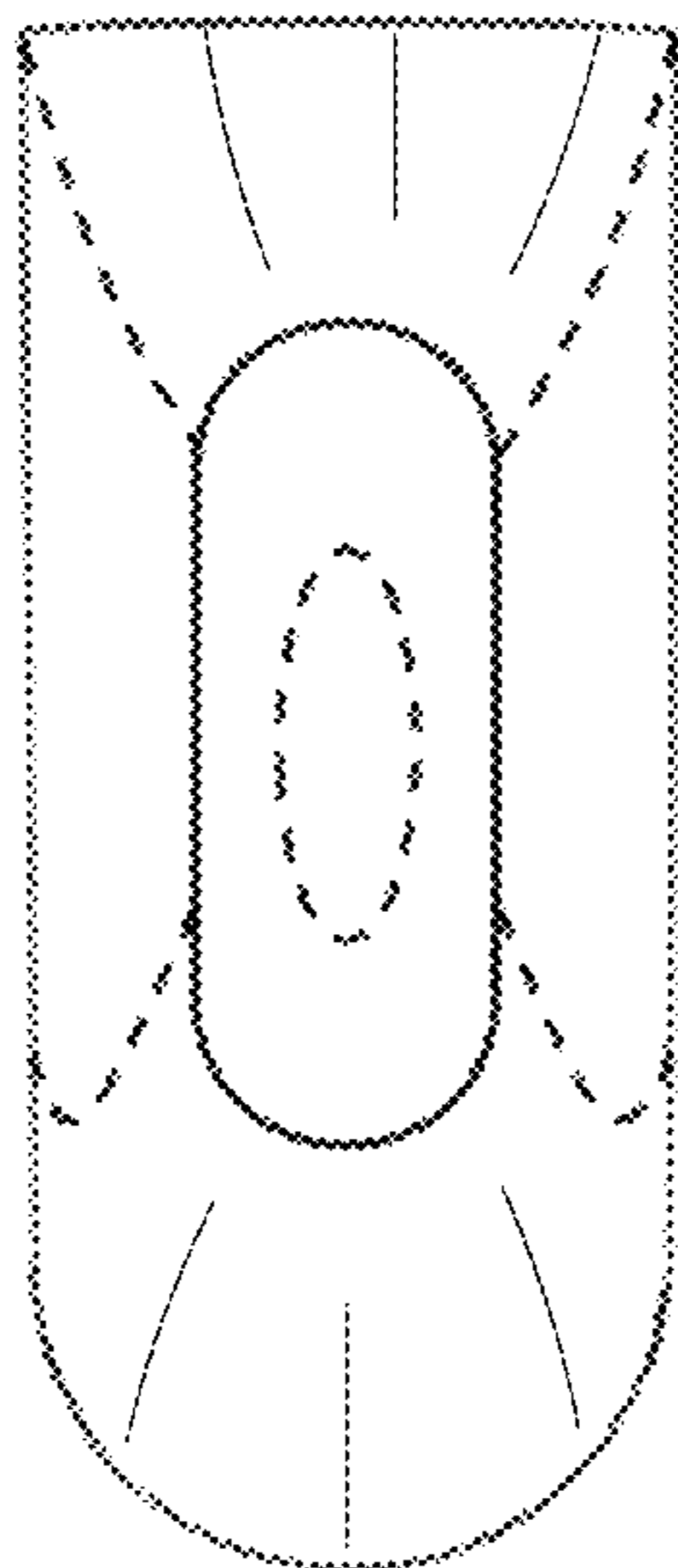


FIG. 8