



US00D877827S

(12) **United States Design Patent** (10) **Patent No.:** **US D877,827 S**
Xie (45) **Date of Patent:** **** Mar. 10, 2020**

(54) **PORTABLE BADMINTON NET**

FOREIGN PATENT DOCUMENTS

(71) Applicant: **DECATHLON**, Villeneuve d'Ascq (FR)

CN 302362634 * 3/2013
CN 302589509 * 9/2013

(Continued)

(72) Inventor: **Ning Xie**, Shanghai (CN)

OTHER PUBLICATIONS

(73) Assignee: **DECATHLON**, Villeneuve d'Ascq (FR)

Decathlon, Images of badminton Artengo Easy Net 3M; Published at least earlier than Feb. 2, 2018, captured from https://www.decathlon.fr/artengo-easy-net-3m-jaune-id_8305138.html on Aug. 13, 2019.

(**) Term: **15 Years**

(21) Appl. No.: **29/658,501**

(Continued)

(22) Filed: **Jul. 31, 2018**

Primary Examiner — Catherine A Tuttle

(30) **Foreign Application Priority Data**

(74) *Attorney, Agent, or Firm* — Fross, Zelnick, Lehrman & Zissu, PC; Charles T. J. Weigell, Esq.

Feb. 2, 2018 (EM) 004692010

(51) **LOC (12) Cl.** **21-02**

(57) **CLAIM**

(52) **U.S. Cl.**

USPC **D21/705**; D21/799.1

The ornamental design for a portable badminton net, as shown and described.

(58) **Field of Classification Search**

USPC D21/305, 698, 705, 799.1, 799.2; 473/490-496

CPC A63B 2210/50; A63B 2210/58; A63B 61/00-04; A63B 61/02; A63B 67/04; A63B 67/045; A63B 67/18; A63B 71/0036; A63B 71/0045; A63B 71/023; A63B 71/028; A63B 2071/026; A63B 2243/0095; A63B 69/0095

See application file for complete search history.

DESCRIPTION

FIG. 1 is a front perspective view of a portable badminton net showing my new design;
FIG. 2 is a front view thereof;
FIG. 3 is a back view thereof;
FIG. 4 is a left side view thereof;
FIG. 5 is a right side view thereof;
FIG. 6 is a top view thereof;
FIG. 7 is a bottom view thereof; and,
FIG. 8 is a close up view of the design shown in FIG. 1 showing the base of the portable badminton net design.
The broken line depiction of the netting forms no part of the claimed design.

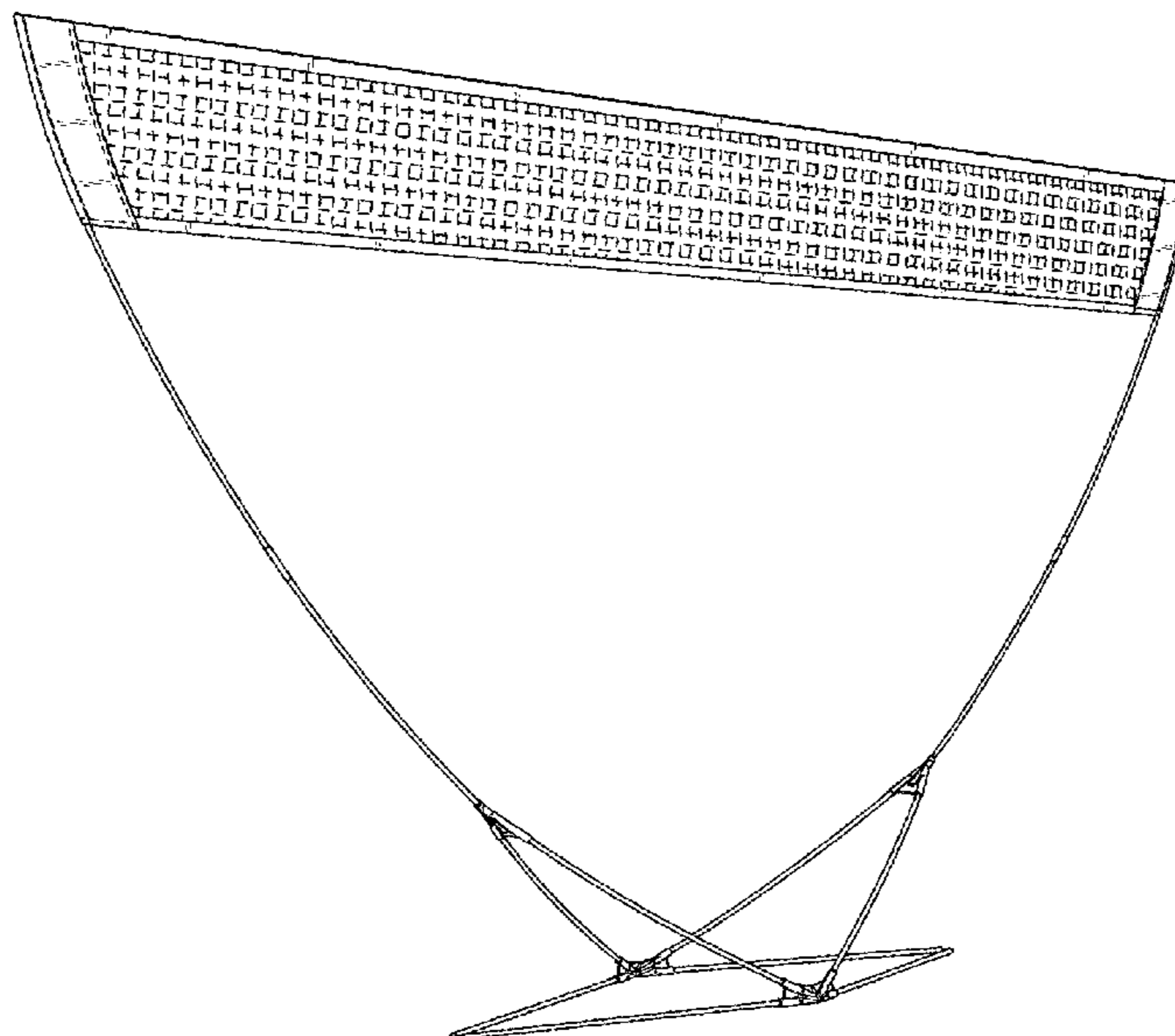
(56) **References Cited**

U.S. PATENT DOCUMENTS

277,551 A * 5/1883 Cunningham A63B 61/02 473/492
4,153,247 A * 5/1979 Burns A63B 61/02 473/416

(Continued)

1 Claim, 6 Drawing Sheets



(56)

References Cited

U.S. PATENT DOCUMENTS

4,357,019 A * 11/1982 Wouters A63B 67/002
473/473
5,018,746 A * 5/1991 Cardoza, Jr. A63B 67/002
473/474
D722,660 S * 2/2015 Yuan D21/698
D751,658 S * 3/2016 Allshouse D21/699
D828,470 S * 9/2018 Lawhon, Jr. D21/705
2015/0057109 A1* 2/2015 Chen A63B 61/02
473/416
2015/0165289 A1* 6/2015 Chen A63B 63/004
473/478

FOREIGN PATENT DOCUMENTS

CN 302721593 * 1/2014
CN 002579771-0003 * 3/2015
CN 303396532 * 9/2015
CN 304006782 * 1/2017
DE 202013104280 U1 * 10/2013 A63B 61/02
EP 2687272 A1 * 1/2014 A63B 61/003
EP 3106210 A1 * 12/2016 A63B 61/02
FR 3031042 B1 * 2/2017 A63B 61/003
WO WO-2007049906 A1 * 5/2007 A63B 61/003
WO WO-2016108019 A1 * 7/2016 A63B 61/003

OTHER PUBLICATIONS

Decathlon, Images of badminton Artengo Easy Net 5M; Published at least earlier than Feb. 2, 2018, captured from https://www.decathlon.fr/arengo-easy-net-5-m-id_8383895.html on Aug. 13, 2019.
Decathlon, Images of Volleyball and Beach Volleyball Net BV 100; Published at least earlier than Feb. 2, 2018, captured from <https://www.decathlon.com/products/volleyball-and-beach-volleyball-net-bv-100?variant=861782114317> on Aug. 13, 2019.
EastPoint Sports, Images of Badminton set; Published at least earlier than Feb. 2, 2018, captured from <https://www.walmart.com/ip/Ft-Easy-Friends-Badminton-Metal-EastPoint-tools-required-Includes-Shuttlecocks-Outdoor-Setup-Assembly-Set-Badminton-Fun-Sports-Quick-No-15-Rackets-PI/728170630>.
EastPoint Sports, Images of Badminton set; Published at least earlier than Feb. 2, 2018, captured from <https://www.amazon.com/EastPoint-Sports-Setup-Badminton-Built/dp/B071DWZMK9> on Aug. 13, 2019.
Zimtown, Images of Portable Removable Badminton Volleyball set; Published at least earlier than Feb. 2, 2018, captured from <https://www.walmart.com/ip/Set-Zimtown-Badminton-Include-Shuttlecock-Equipment-Outdoor-Rackets-Garden-Removable-Volleyball-Bag-Youth-Kids-Portable-Stand-Game-4pcs-Carrying-Recr/842290121> on Aug. 13, 2019.

* cited by examiner

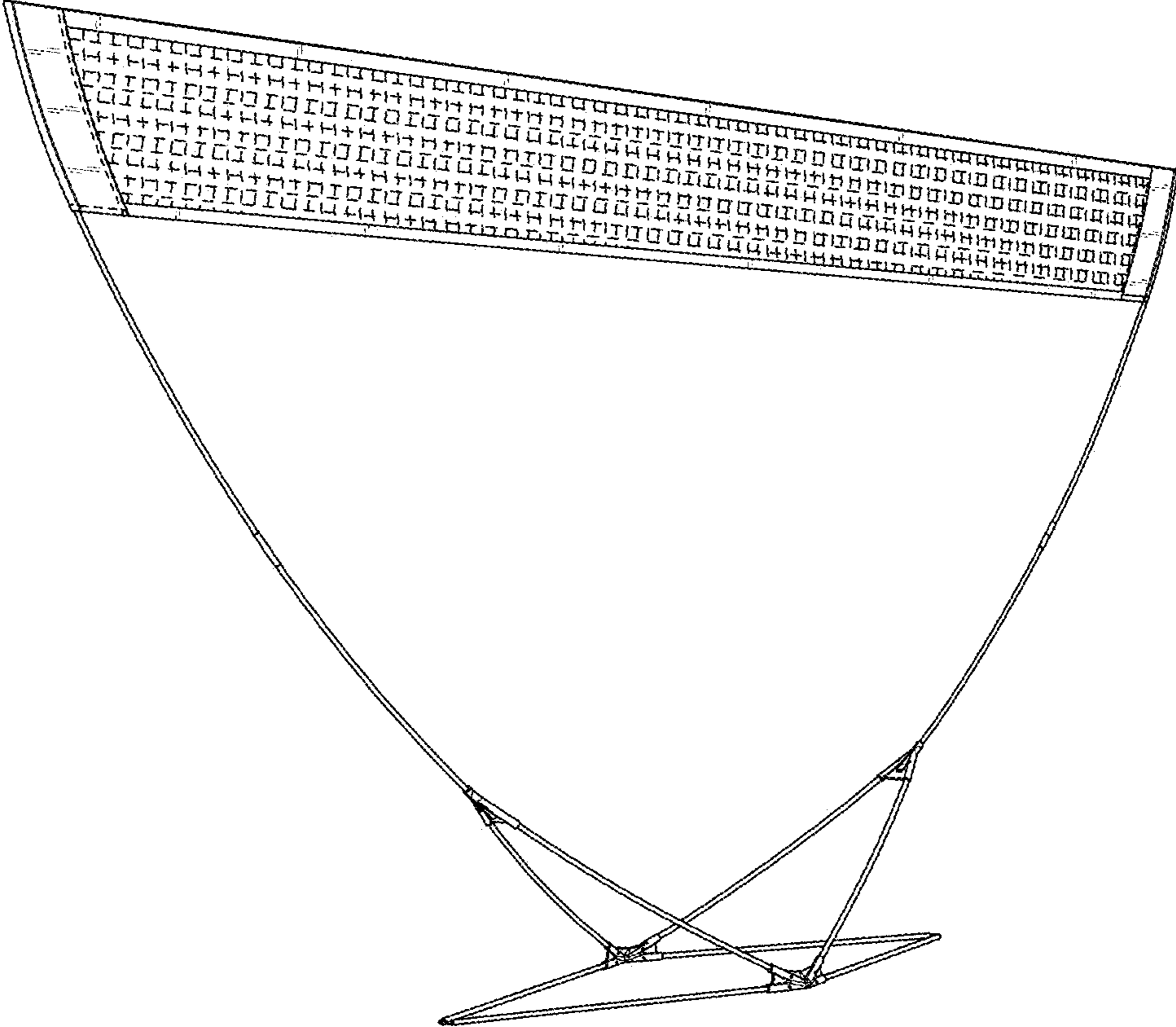


FIG. 1

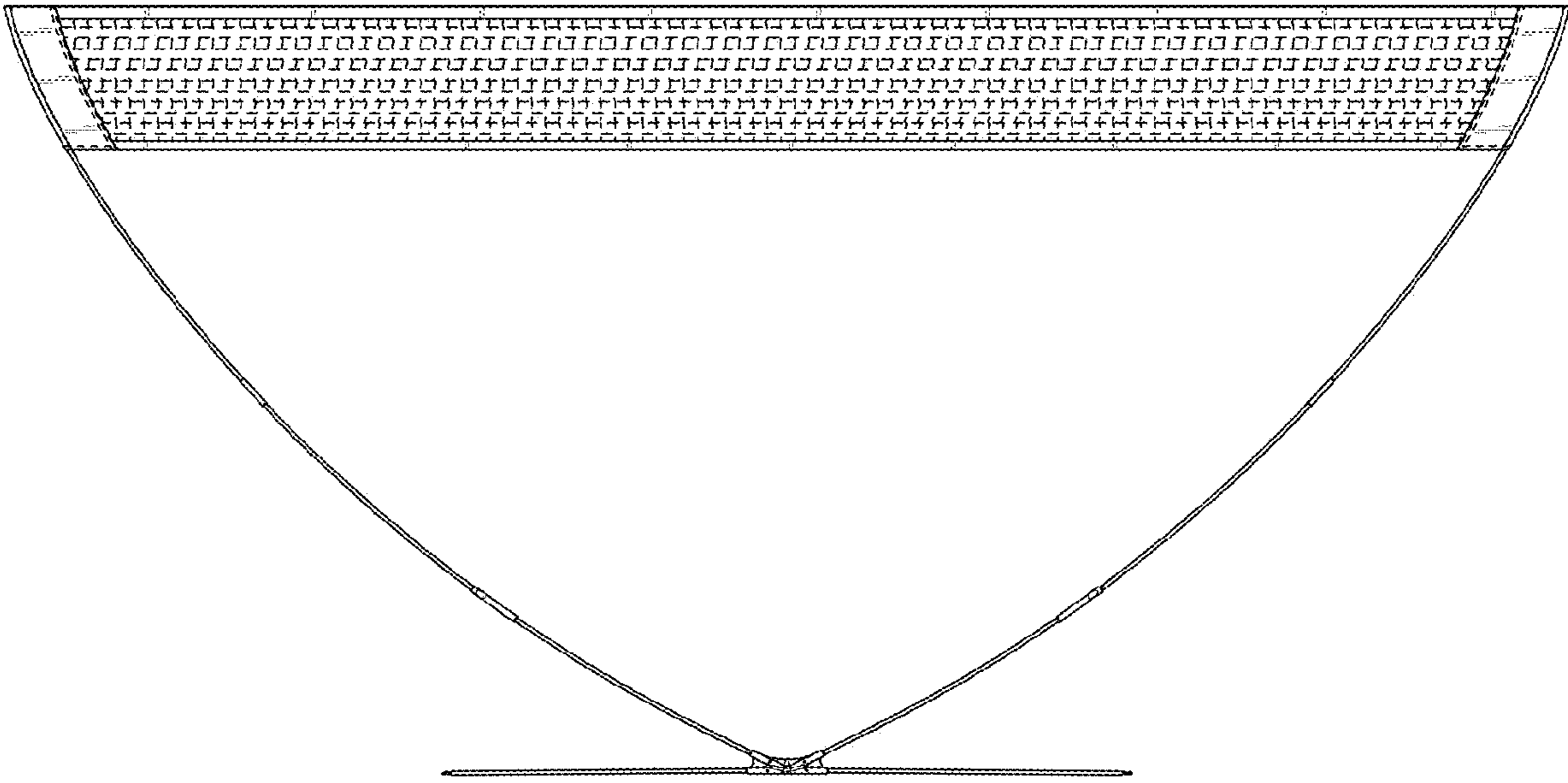


FIG. 2

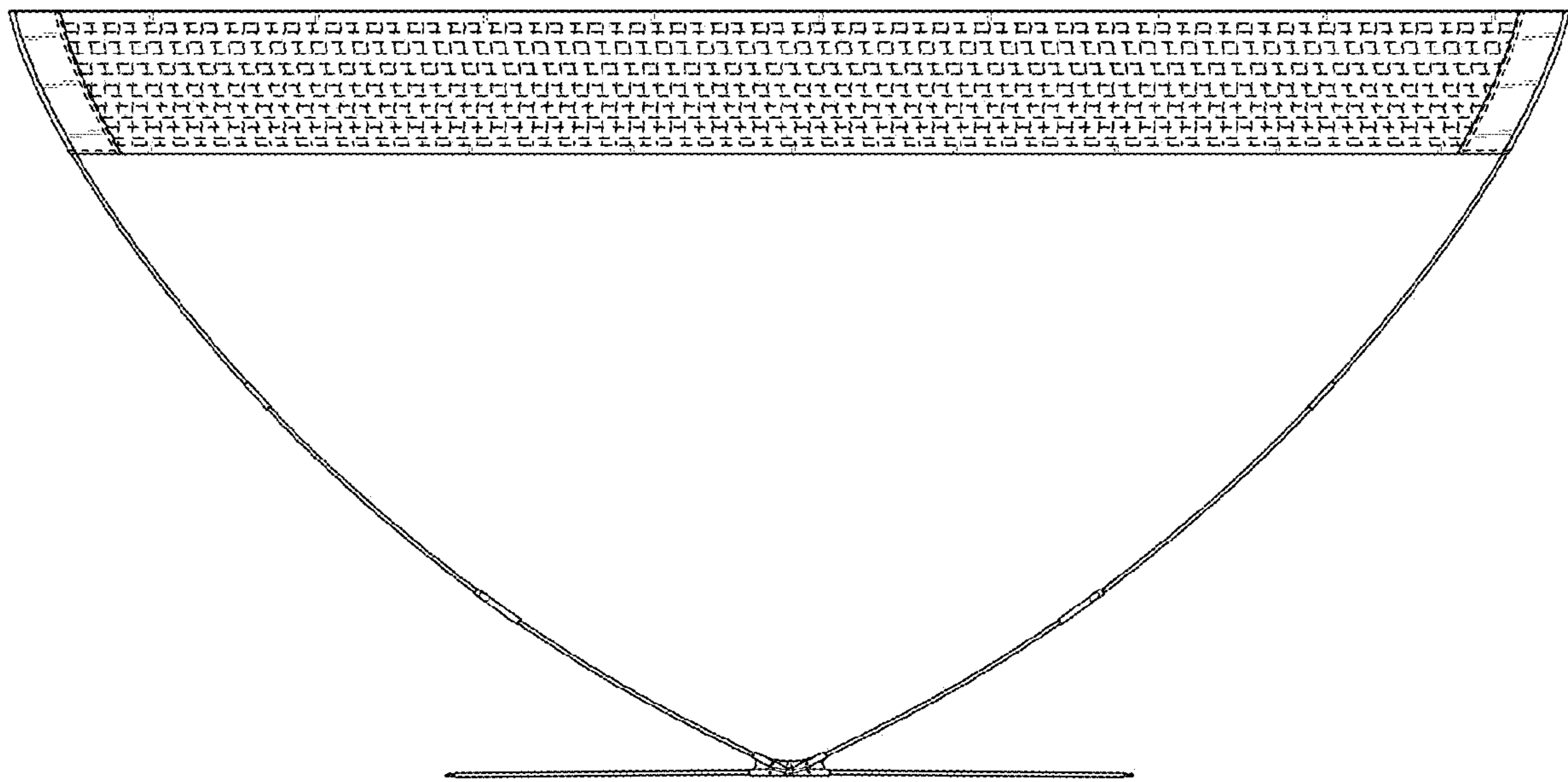


FIG. 3

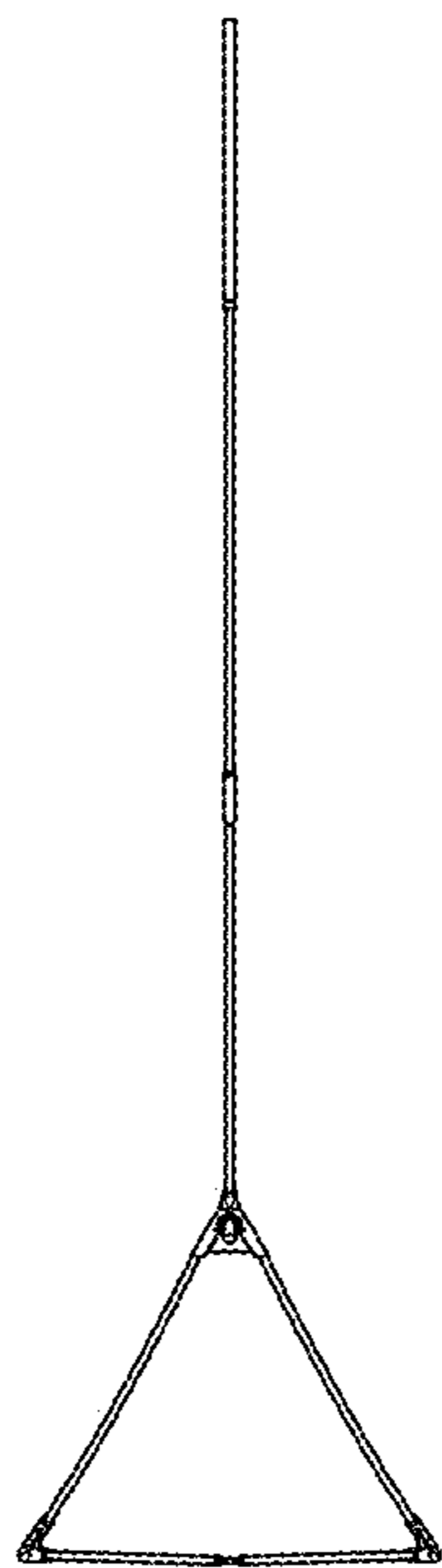


FIG. 4

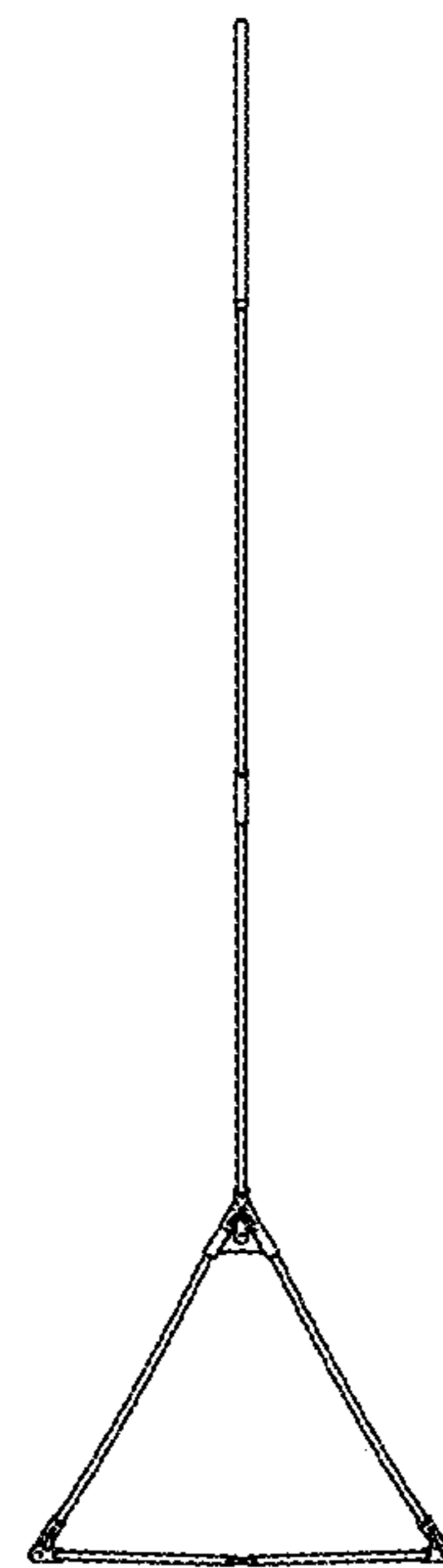


FIG. 5

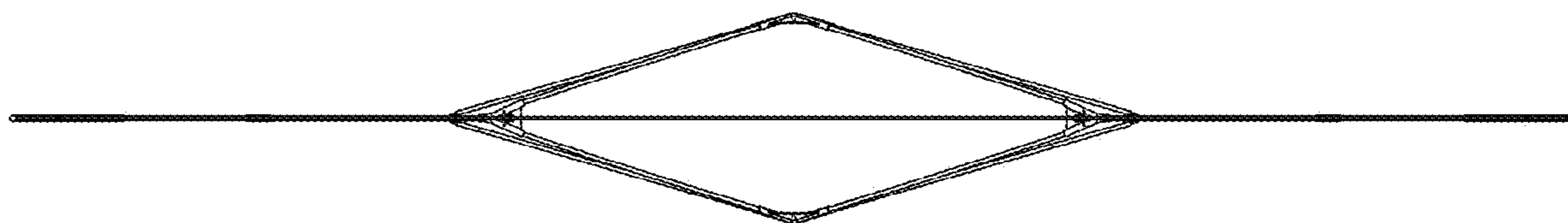


FIG. 6

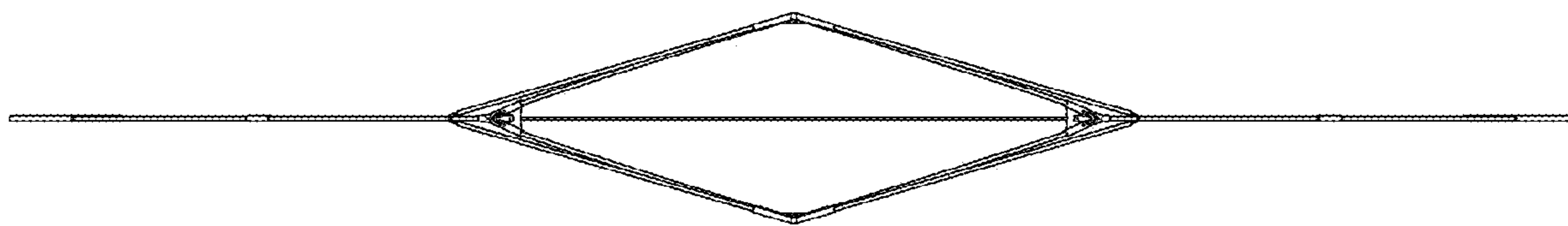


FIG. 7

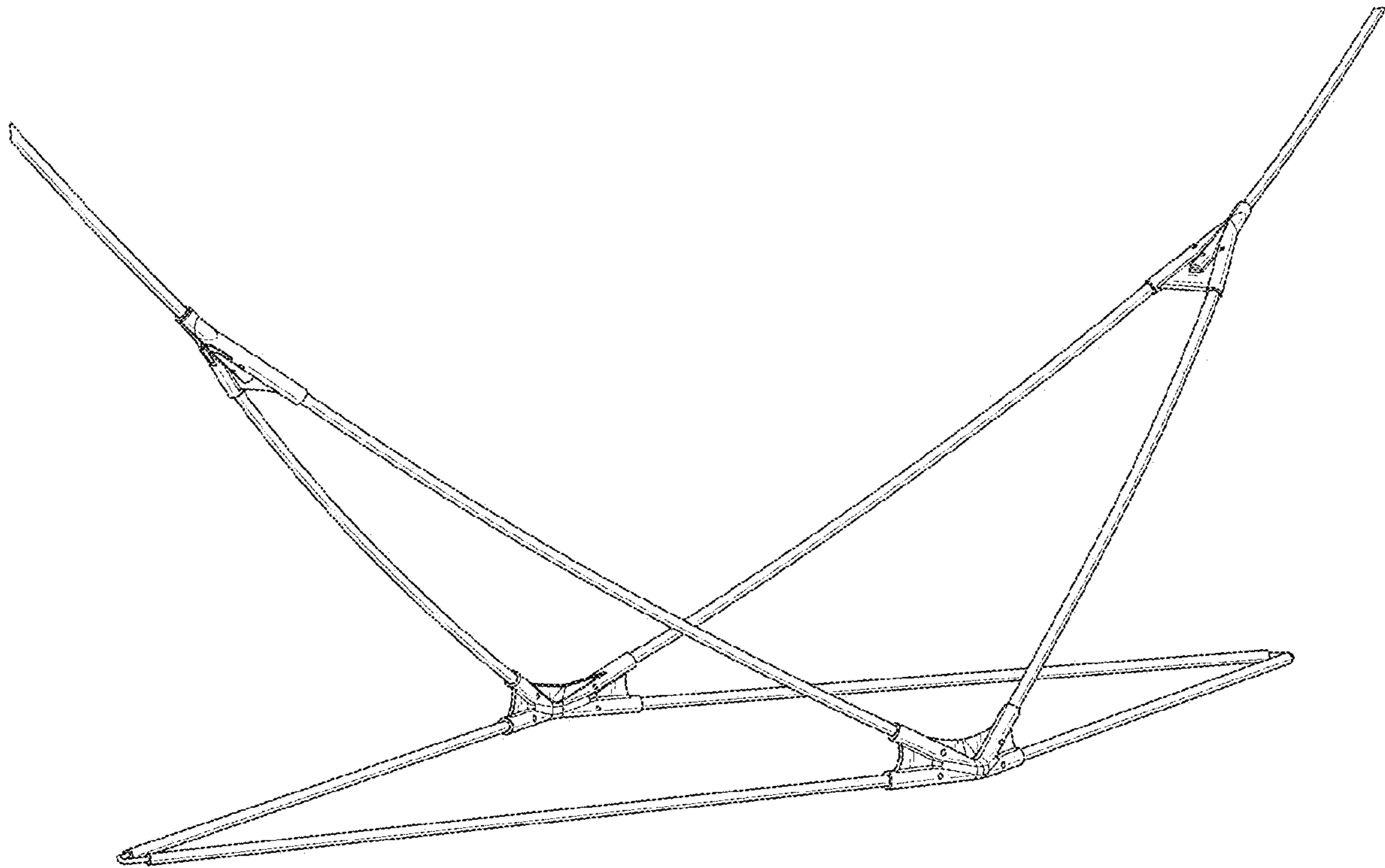


FIG. 8

UNITED STATES PATENT AND TRADEMARK OFFICE
CERTIFICATE OF CORRECTION

PATENT NO. : D877,827 S
APPLICATION NO. : 29/658501
DATED : March 10, 2020
INVENTOR(S) : Ning Xie

Page 1 of 1

It is certified that error appears in the above-identified patent and that said Letters Patent is hereby corrected as shown below:

On the Title Page

Please correct item (54) the title, to correctly read as follows:

(54) PORTABLE SPORT NET

Signed and Sealed this
Twenty-fifth Day of February, 2025



Coke Morgan Stewart
Acting Director of the United States Patent and Trademark Office