



US00D877826S

(12) **United States Design Patent**
Benoit

(10) **Patent No.:** **US D877,826 S**

(45) **Date of Patent:** **** Mar. 10, 2020**

(54) **CALF RAISE DEVICE**

(71) Applicant: **All Natural Iron, LLC**, Davidson, NC
(US)

(72) Inventor: **Jason Benoit**, Davidson, NC (US)

(**) Term: **15 Years**

(21) Appl. No.: **29/647,852**

(22) Filed: **May 16, 2018**

(51) **LOC (12) Cl.** **21-02**

(52) **U.S. Cl.**
USPC **D21/694**

(58) **Field of Classification Search**
USPC 482/92, 93, 97, 104, 129, 130, 131, 133;
D21/673, 675, 679, 680, 686, 688, 694;
D8/349, 353, 354, 366, 380, 381;
D24/212
CPC A63B 21/00185; A63B 21/16
See application file for complete search history.

(56) **References Cited**

U.S. PATENT DOCUMENTS

D360,441 S *	7/1995	Beyer	D12/125
D369,389 S *	4/1996	Beyer	D21/694
D369,823 S *	5/1996	DeCola	D8/349
D453,542 S *	2/2002	Louiso	D21/686
D459,774 S *	7/2002	Lee	D21/694
D480,121 S *	9/2003	Lee	D21/694
D536,952 S *	2/2007	Vejmarker	D8/354
D576,472 S *	9/2008	Gaiardo	D8/354
D639,876 S *	6/2011	Tsou	D21/662
8,062,189 B1 *	11/2011	Moring, Jr.	A63B 21/00047 482/142
D667,289 S *	9/2012	Preda	D8/354
D675,267 S *	1/2013	Jamison, Jr.	D21/686

D681,750 S *	5/2013	Meyer-Hayoz	D21/686
D681,751 S *	5/2013	Meyer-Hayoz	D21/686
D682,069 S *	5/2013	Lehane	D8/349
D691,222 S *	10/2013	Sterios	D21/686
D718,101 S *	11/2014	Mason	D8/354
D794,420 S *	8/2017	Emmons	D8/349
D807,521 S *	1/2018	Wayman	D24/200
D822,459 S *	7/2018	Kobayashi	D8/356
D825,315 S *	8/2018	Inzeo	D8/349
D839,082 S *	1/2019	Heine	D8/354

* cited by examiner

Primary Examiner — Cynthia Ramirez

Assistant Examiner — Michael A Maharajh

(74) *Attorney, Agent, or Firm* — Trego, Hines &
Ladenheim, PLLC; Brandon Trego; Jonathan Hines

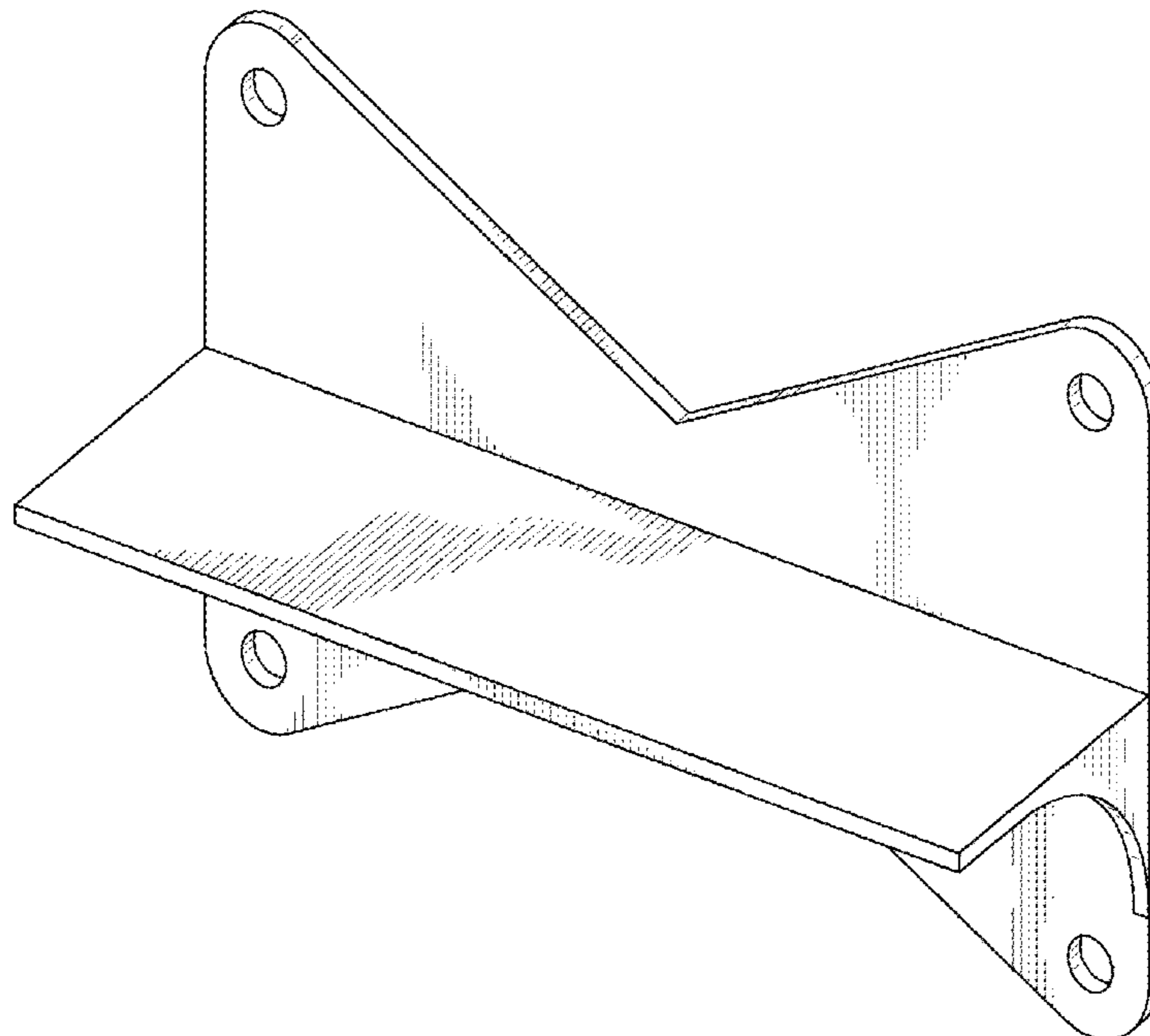
(57) **CLAIM**

I claim the ornamental design for a calf raise device, as shown and described.

DESCRIPTION

FIG. 1 is a perspective view of a calf raise device, showing my new design;
FIG. 2 is a front elevational view of the calf raise device of FIG. 1;
FIG. 3 is a rear elevational view of the calf raise device of FIG. 1;
FIG. 4 is a right side elevational view of the calf raise device of FIG. 1;
FIG. 5 is a left side elevational view of the calf raise device of FIG. 1;
FIG. 6 is a top plan view of the calf raise device of FIG. 1; and,
FIG. 7 is a bottom plan view of the calf raise device of FIG. 1.

1 Claim, 5 Drawing Sheets



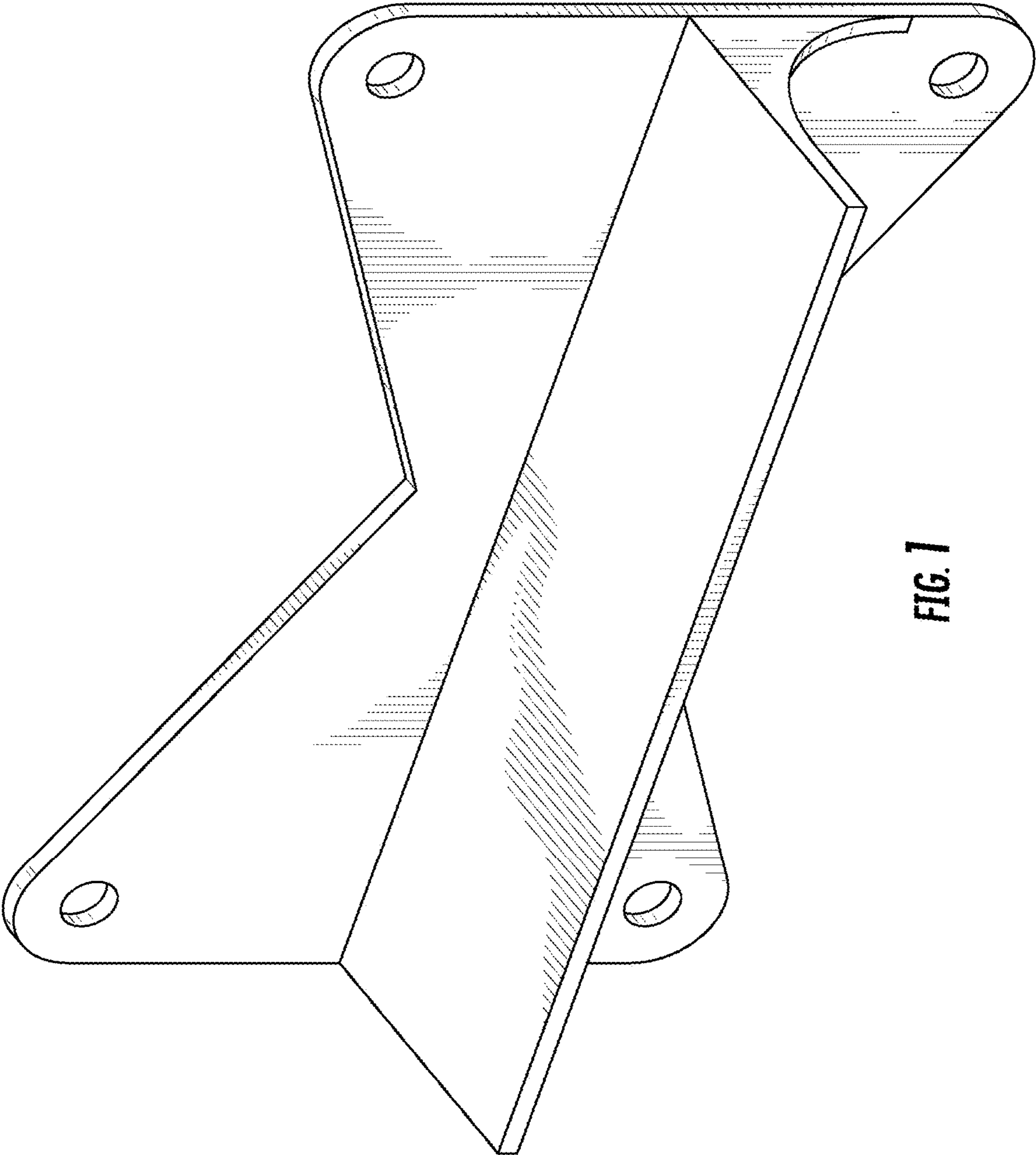


FIG. 1

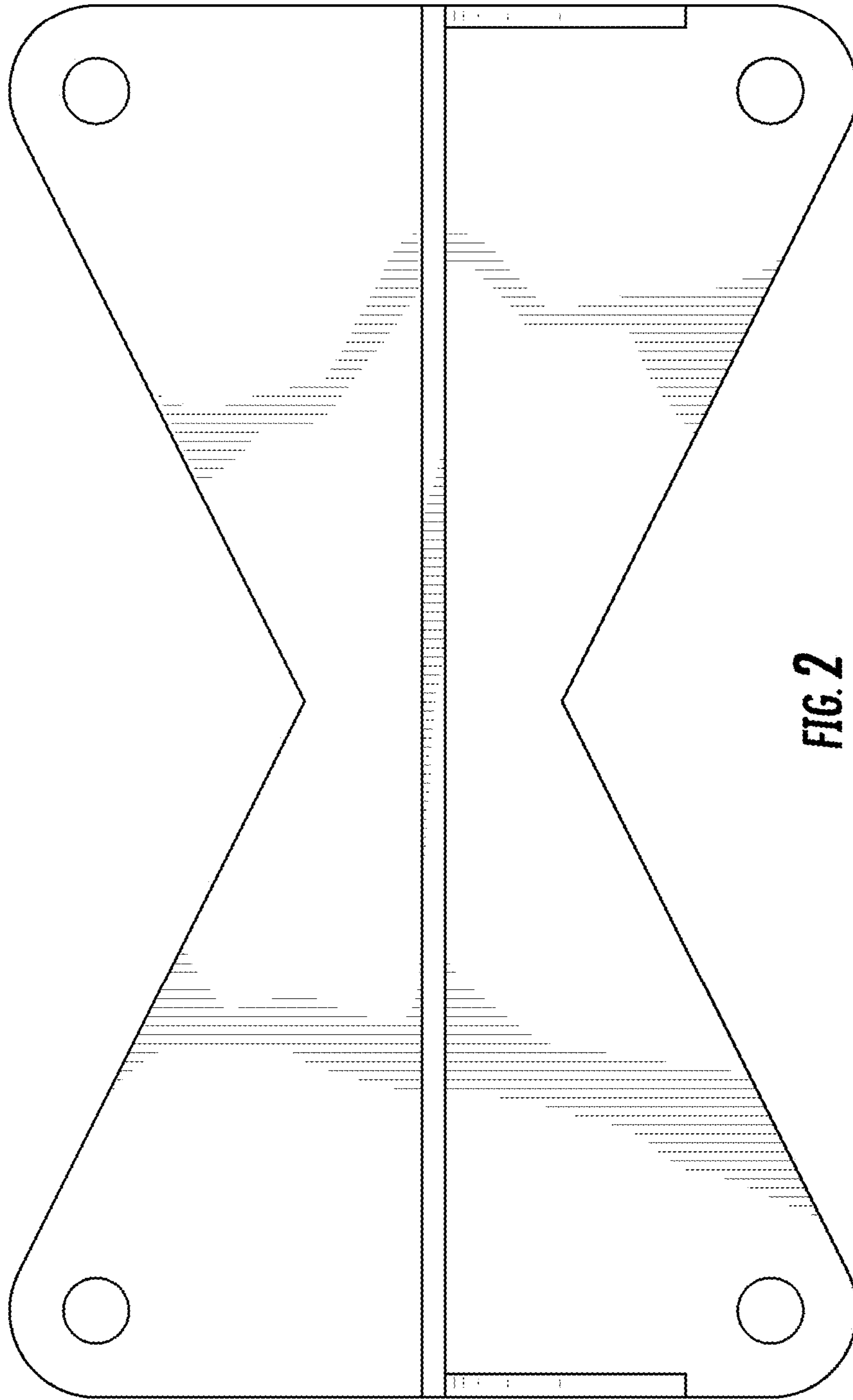


FIG. 2

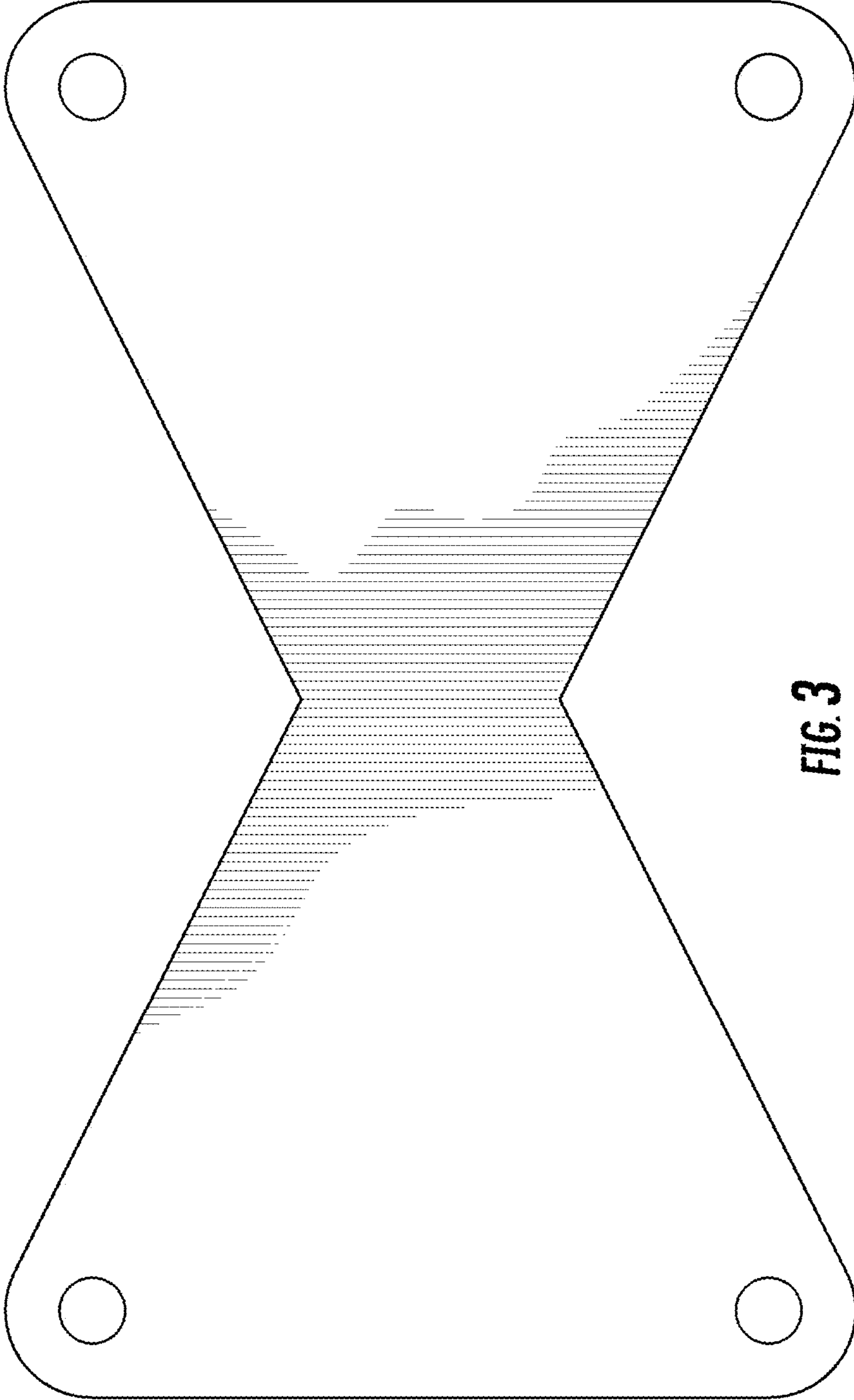


FIG. 3

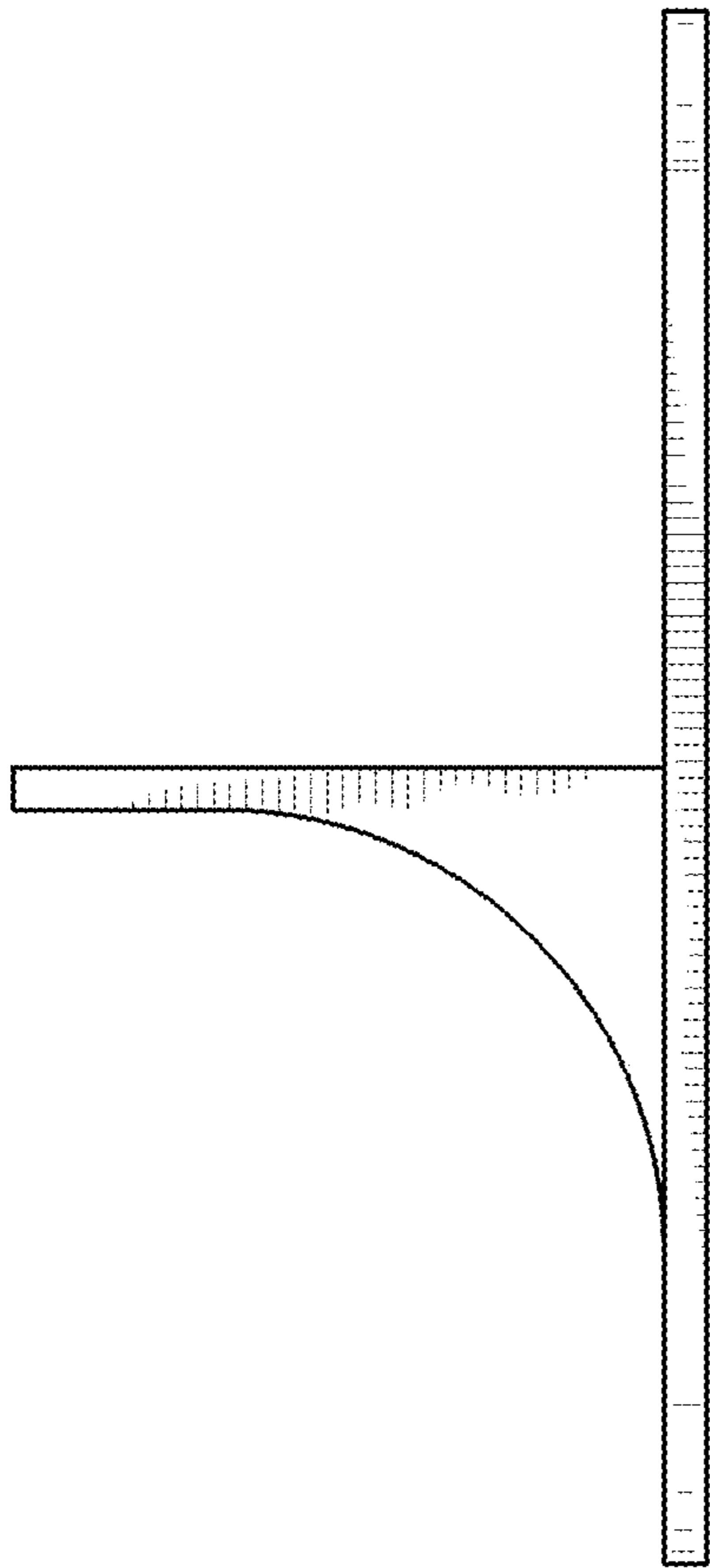


FIG. 4

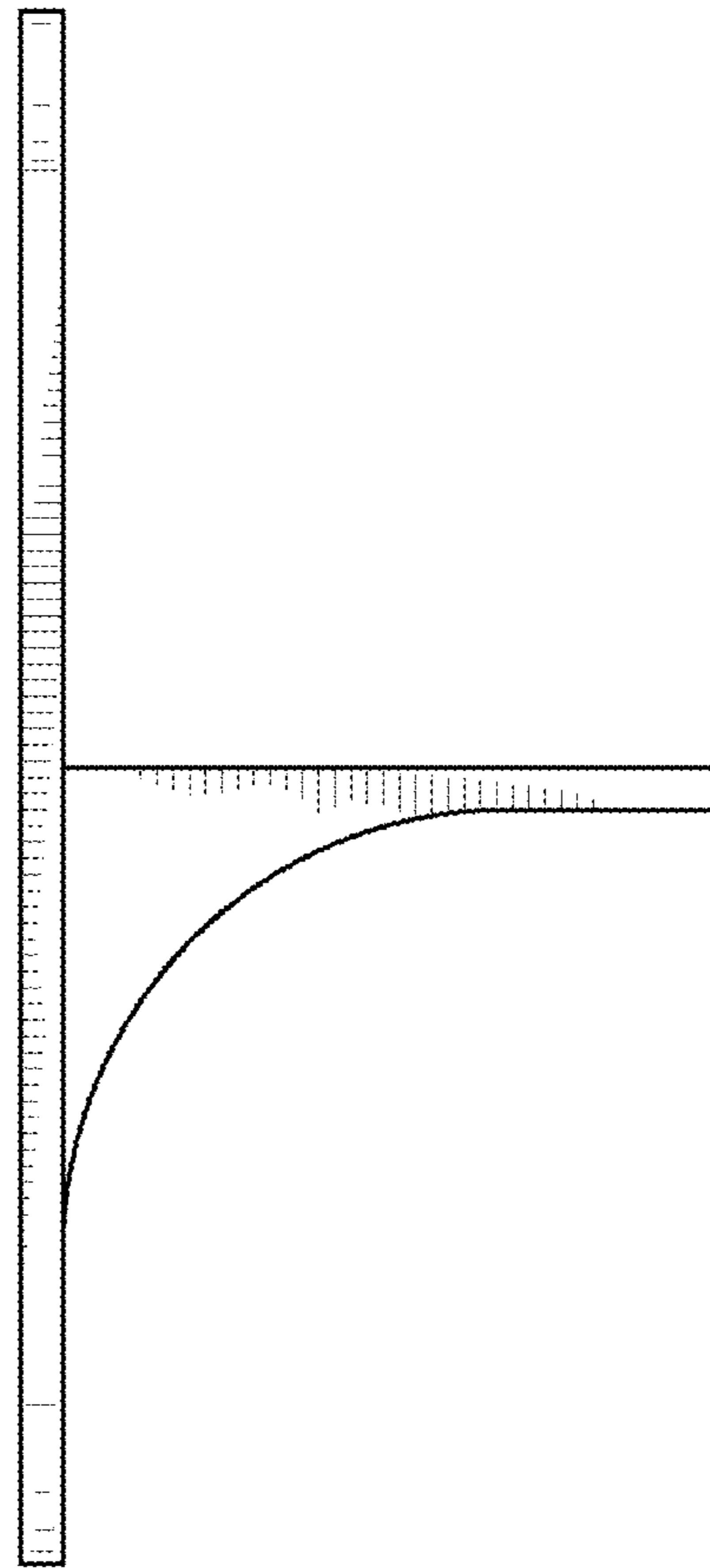


FIG. 5

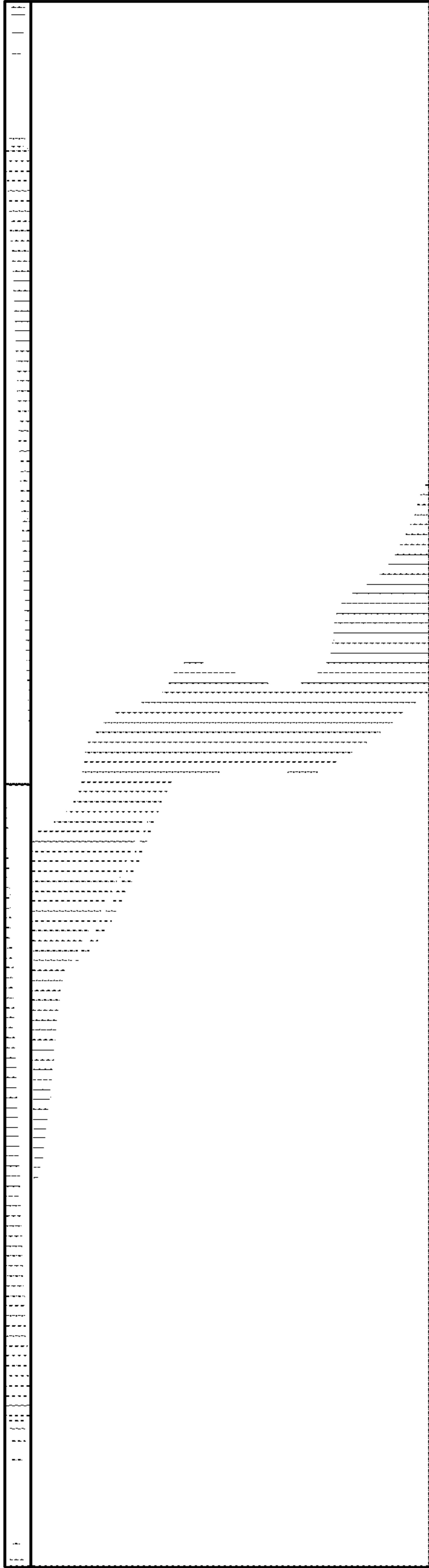


FIG. 6

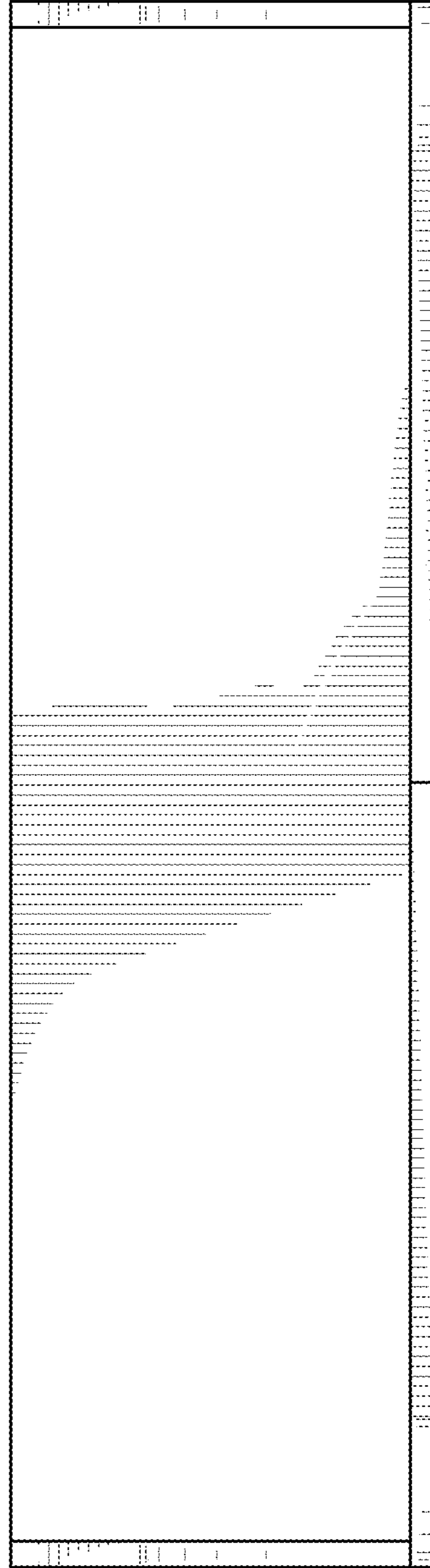


FIG. 7