



US00D877822S

(12) **United States Design Patent**
Ross

(10) **Patent No.:** **US D877,822 S**
(45) **Date of Patent:** **** Mar. 10, 2020**

(54) **AB ROLLER**

(71) Applicant: **Exemplar Design, LLC**, Mason, OH (US)

(72) Inventor: **Adam L. Ross**, Mason, OH (US)

(73) Assignee: **EXEMPLAR DESIGN, LLC**, Mason, OH (US)

(**) Term: **15 Years**

(21) Appl. No.: **29/665,321**

(22) Filed: **Oct. 2, 2018**

(51) **LOC (12) Cl.** **21-02**

(52) **U.S. Cl.**
USPC **D21/678**

(58) **Field of Classification Search**
USPC 482/132, 140, 123, 142, 145, 127, 907, 482/82, 114, 121, 92, 141, 148, 125, 136, 482/55, 139; D21/662, 681, 760, 679, D21/686, 689, 671, 779; D12/568, 107, D12/501, 592; D15/17, 199
CPC A63B 21/0455; A63B 21/068; A63B 21/4033; A63B 22/20; A63B 23/0211; A63B 21/0004; A63B 21/0552; A63B 2208/0219; A63B 21/00069; A63B 21/023

See application file for complete search history.

(56) **References Cited**

U.S. PATENT DOCUMENTS

2,920,418	A *	1/1960	Britt	A63B 21/0004
					446/241
3,752,475	A *	8/1973	Ott	A63B 21/0004
					482/127
D243,013	S *	1/1977	Jones	D19/37
D248,114	S *	6/1978	Mangiapane	D21/662
4,595,197	A *	6/1986	Hagstrom	A63B 21/4011
					482/132

D306,886	S *	3/1990	Shiek	D21/662
D422,038	S *	3/2000	Iannetta	D21/662
6,328,680	B1 *	12/2001	Shifferaw	A63B 21/0618
					482/127
D454,929	S *	3/2002	Huang	D21/662
D657,010	S *	4/2012	Cen	D21/679
D669,141	S *	10/2012	MacColl	D21/662
D688,337	S *	8/2013	Huang	D21/662
D697,148	S *	1/2014	Lin	D21/681
8,814,767	B2 *	8/2014	Brodbeck	A63B 22/20
					482/132
9,011,303	B2 *	4/2015	MacColl	A63B 21/0004
					482/127
D730,455	S *	5/2015	Burris	D21/662
9,132,315	B1 *	9/2015	Chen	A63B 23/12
D756,468	S *	5/2016	Chang	D21/662
D770,579	S *	11/2016	Chang	A63B 22/20
					D21/691
9,586,088	B2 *	3/2017	Wong	A63B 23/0211
D794,725	S *	8/2017	Lamothe	D21/679
9,844,696	B2 *	12/2017	Anderson	A63B 21/4049

(Continued)

Primary Examiner — Ryan Harvey

(74) *Attorney, Agent, or Firm* — Baker Hostetler

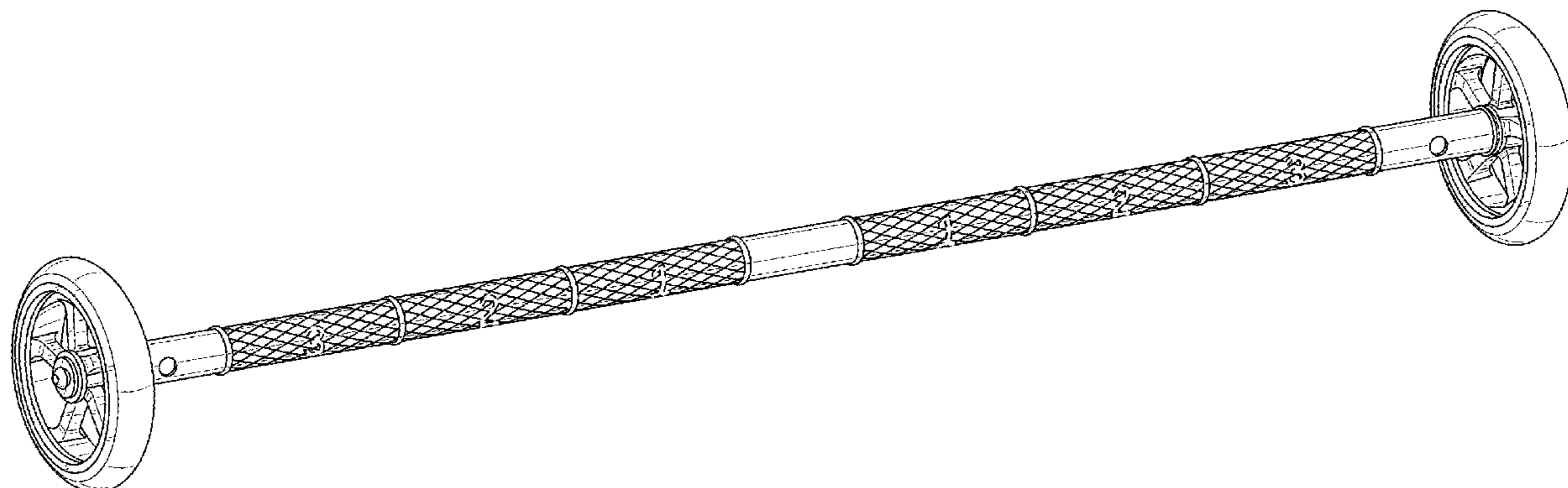
(57) **CLAIM**

I claim the ornamental design for an AB roller, as shown and described.

DESCRIPTION

FIG. 1 is a top perspective view of the AB roller showing my new design;
FIG. 2 is a front side elevation view thereof;
FIG. 3 is a back side elevation view thereof;
FIG. 4 is a left side elevation view thereof;
FIG. 5 is a right side elevation view thereof;
FIG. 6 is a top plan view thereof; and,
FIG. 7 is a bottom plan view thereof.
The broken lines shown in the drawings depict indicia portions of the AB roller that form no part of the claimed design.

1 Claim, 4 Drawing Sheets



(56)

References Cited

U.S. PATENT DOCUMENTS

10,046,198 B1 * 8/2018 Huang A63B 23/1236
D839,974 S * 2/2019 Jessup D21/679
2002/0123416 A1 * 9/2002 Huang A63B 21/153
482/140
2011/0183824 A1 * 7/2011 Yang A63B 21/0004
482/132
2012/0172184 A1 * 7/2012 Wang A63B 21/0552
482/132
2012/0264578 A1 * 10/2012 Frederick A63B 21/0004
482/132
2013/0017936 A1 * 1/2013 Olson A63B 21/0004
482/132
2013/0017938 A1 * 1/2013 Thompson A63B 23/0222
482/145
2013/0281270 A1 * 10/2013 Chen A63B 21/0004
482/132
2013/0310231 A1 * 11/2013 Pearce A63B 21/02
482/121
2015/0328491 A1 * 11/2015 Miller A63B 21/00185
482/82

* cited by examiner

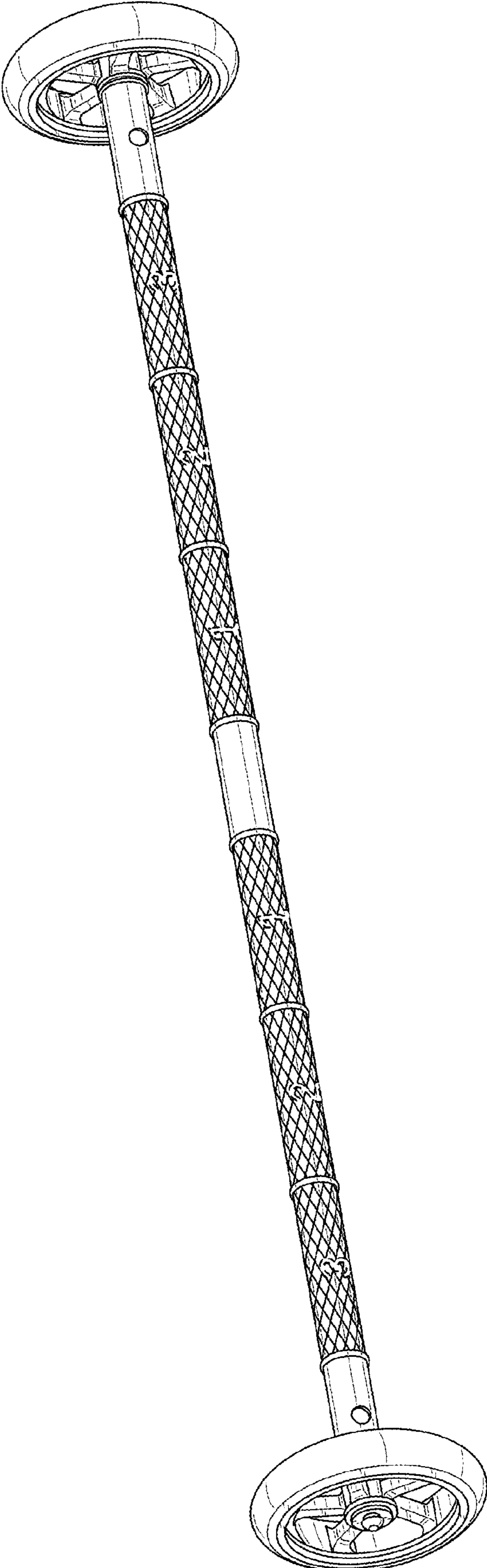


FIG. 1

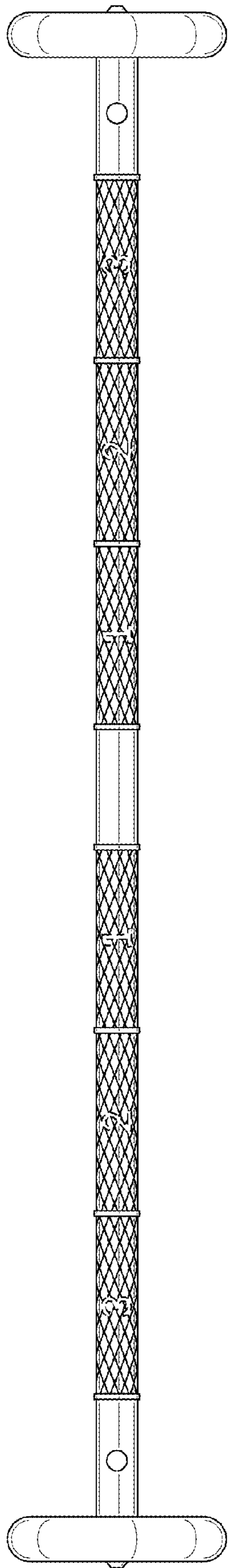


FIG. 2

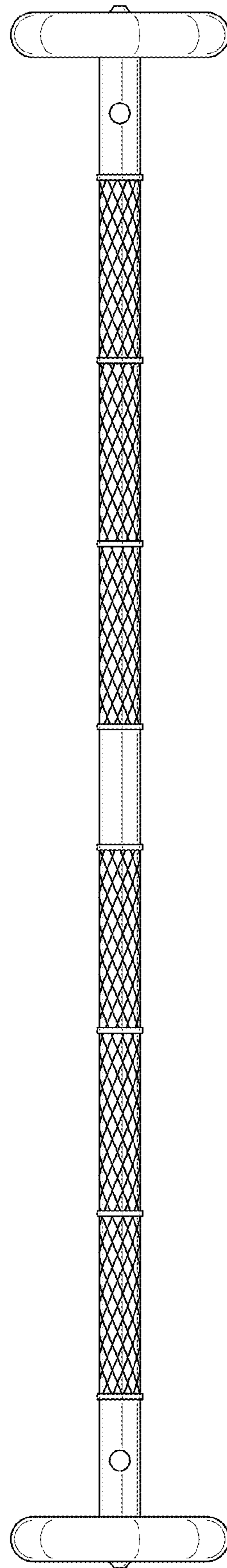


FIG. 3

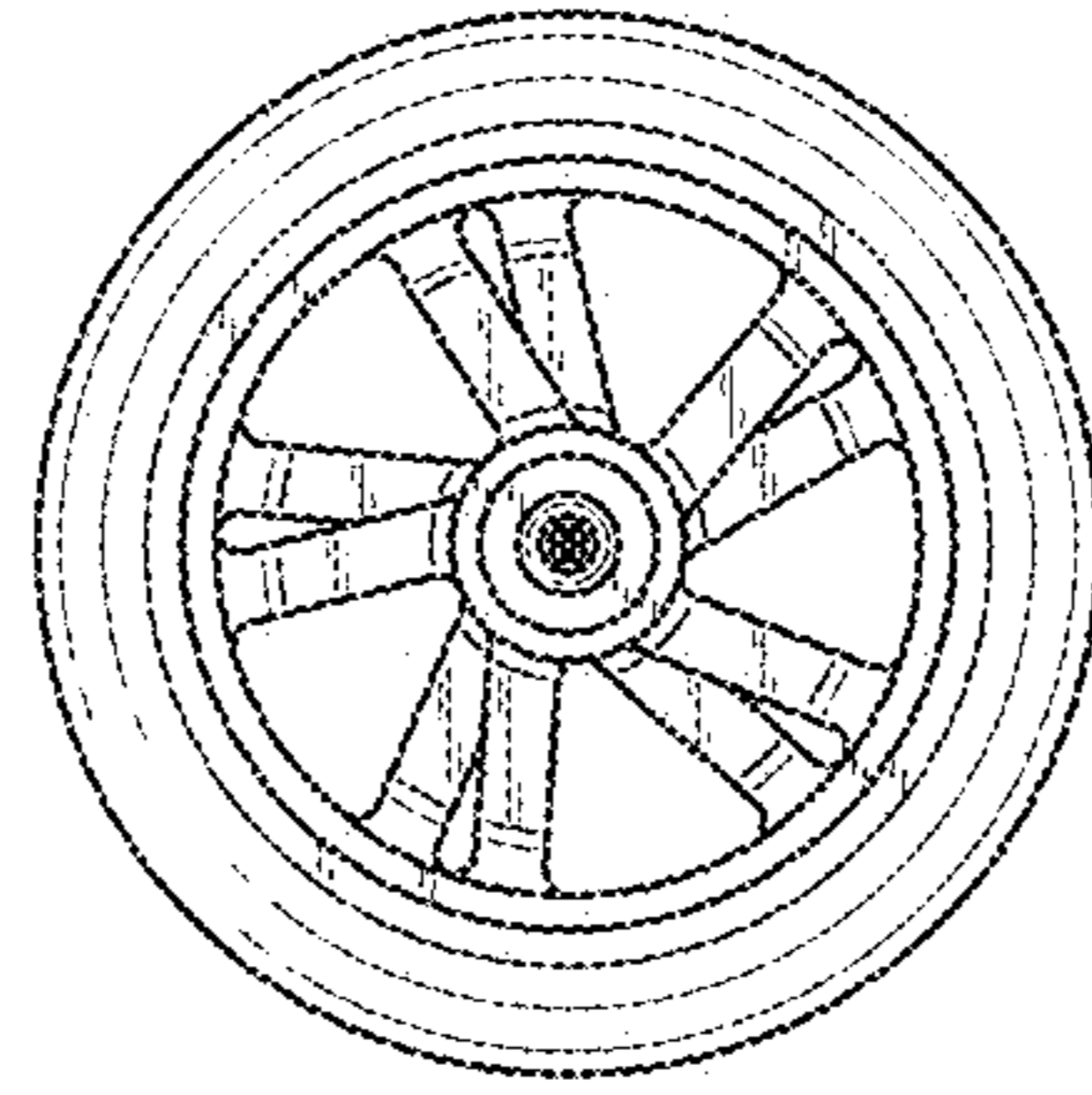


FIG. 5

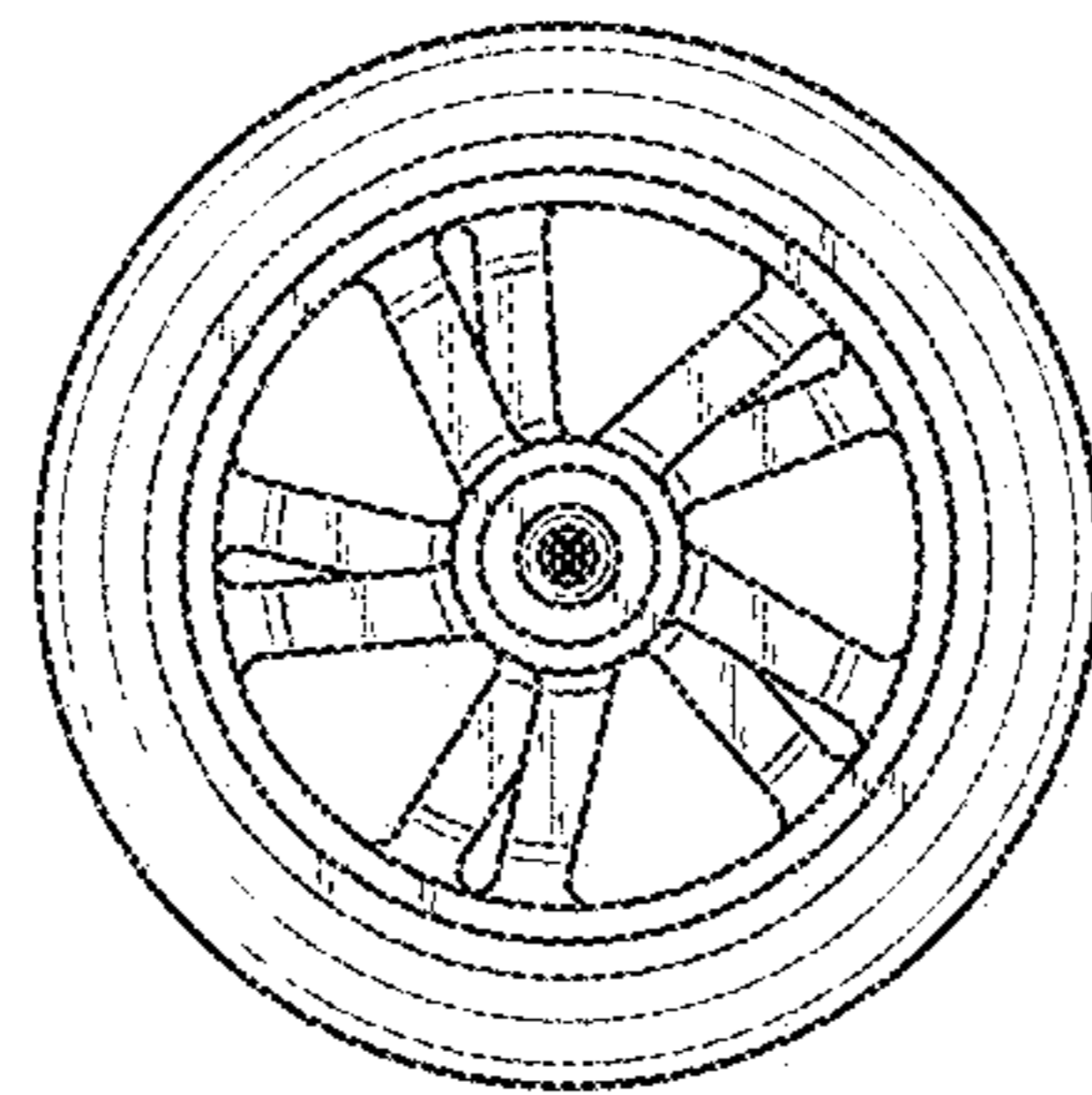


FIG. 4

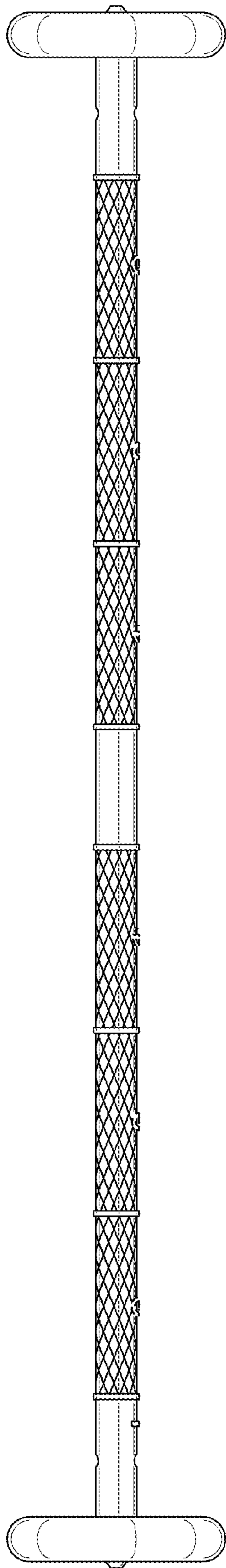


FIG. 6

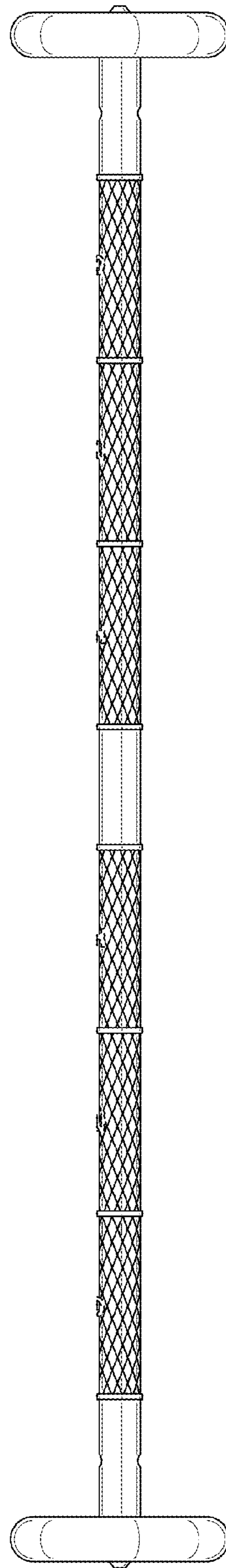


FIG. 7