



US00D877817S

(12) **United States Design Patent** (10) **Patent No.:** **US D877,817 S**  
**Katayama et al.** (45) **Date of Patent:** **\*\* Mar. 10, 2020**

(54) **ACCESSORY FOR ROBOT TOY**  
(71) Applicant: **TOMY COMPANY, LTD.**, Tokyo (JP)  
(72) Inventors: **Shu Katayama**, Tokyo (JP); **Akiko Ikoma**, Tokyo (JP); **Mitsutoshi Tokuyama**, Tokyo (JP); **Tomoyuki Tanaka**, Tokyo (JP); **Shigeru Kanauchi**, Tokyo (JP)  
(73) Assignee: **TOMY COMPANY, LTD.**, Tokyo (JP)

D236,144 S \* 7/1975 Christiansen ..... D21/658  
D236,520 S \* 8/1975 Christeansen ..... D21/658  
D236,521 S \* 8/1975 Christiansen ..... D21/658  
D360,910 S \* 8/1995 Frederiksen ..... D21/488  
D410,974 S \* 6/1999 Toft ..... D21/488  
D752,960 S \* 4/2016 Fujioka ..... D21/658  
D777,846 S \* 1/2017 Greaves ..... D21/578  
9,539,519 B2 \* 1/2017 Vollers ..... A63H 33/086  
D807,441 S \* 1/2018 Gupta ..... D21/578  
D831,755 S \* 10/2018 Wang ..... D21/578  
D832,371 S \* 10/2018 Miao ..... D21/578  
D846,039 S \* 4/2019 Greaves ..... D21/578  
2013/0090033 A1 \* 4/2013 Vollers ..... A63H 33/086  
446/71

(\*\*) Term: **15 Years**  
(21) Appl. No.: **29/659,357**  
(22) Filed: **Aug. 8, 2018**

(Continued)

*Primary Examiner* — Sandra L Morris  
(74) *Attorney, Agent, or Firm* — Oliff PLC

(30) **Foreign Application Priority Data**

Feb. 22, 2018 (JP) ..... 2018-003662

(51) **LOC (12) Cl.** ..... **21-01**  
(52) **U.S. Cl.**  
USPC ..... **D21/658**

(58) **Field of Classification Search**  
USPC ..... D6/598; D11/158, 162; D21/488, 498, D21/576–596, 604–605, 611–613, 615, D21/617–618, 658–661; 446/99, 268, 446/368–369, 376, 428, 487; 180/8.6; D30/160  
CPC ... A63H 3/00; A63H 3/02; A63H 3/04; A63H 3/16; A63H 3/28; A63H 3/36; A63H 7/06; A63H 11/00; A63H 11/10; A63H 11/20; A63H 11/205; A63H 13/00; A63H 33/04; A63H 33/08; A63H 33/042; A63H 33/086; A63H 33/088; A63H 23/10  
See application file for complete search history.

(56) **References Cited**

**U.S. PATENT DOCUMENTS**

D231,546 S \* 4/1974 Christiansen ..... D21/658  
D231,705 S \* 5/1974 Christiansen ..... D21/658

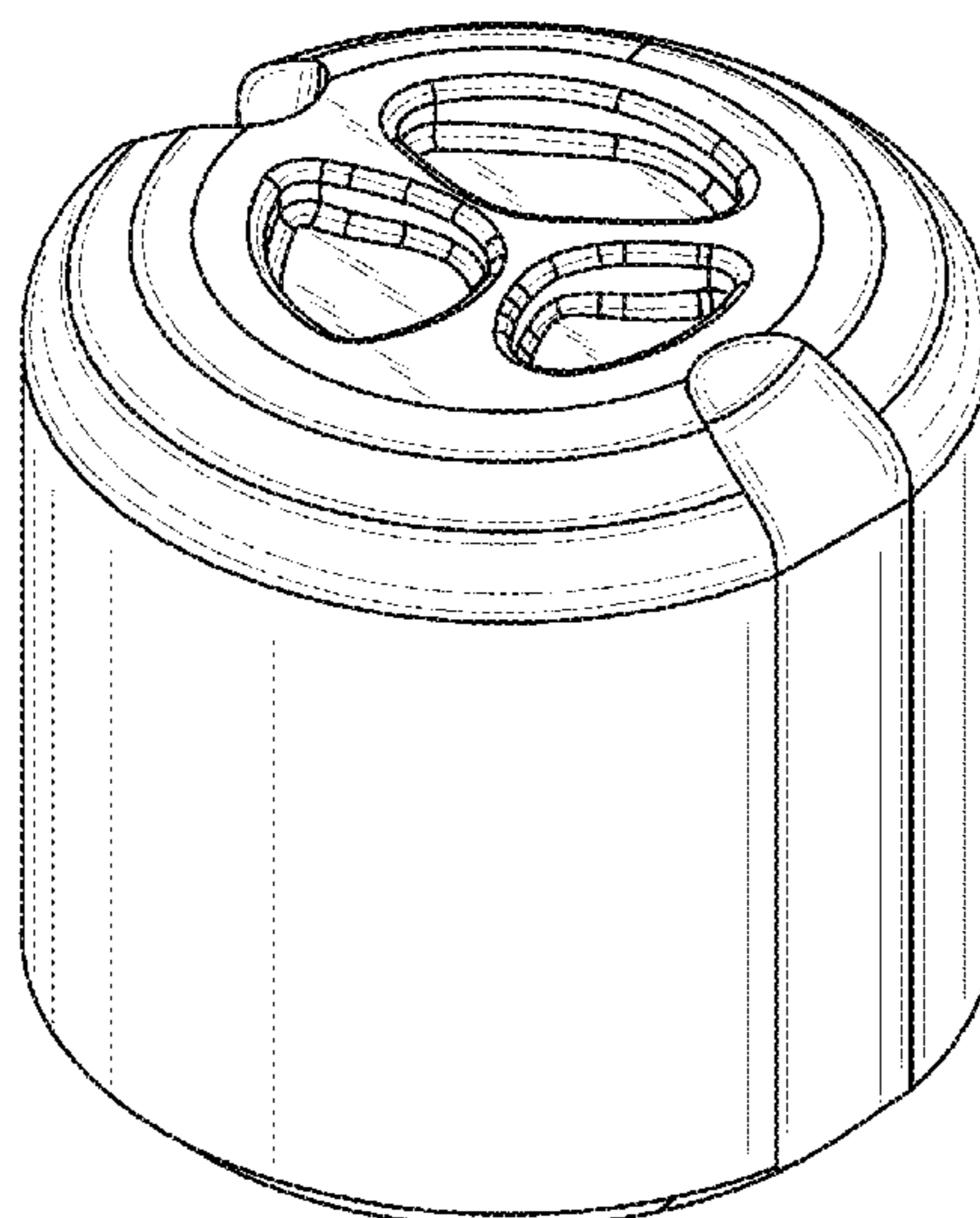
(57) **CLAIM**

The ornamental design for an accessory for robot toy, as shown and described.

**DESCRIPTION**

FIG. 1 is a front elevational view of the accessory for robot toy;  
FIG. 2 is a rear elevational view thereof;  
FIG. 3 is a left-side elevational view thereof;  
FIG. 4 is a right-side elevational view thereof;  
FIG. 5 is a top plan view thereof;  
FIG. 6 is a bottom plan view thereof;  
FIG. 7 is a front, right-side, top perspective view thereof;  
FIG. 8 is a cross-sectional view taken along line 8-8 in FIG. 5; and,  
FIG. 9 is a reference view showing the accessory for robot toy in use.  
The broken lines depict environmental subject matter, and thus form no part of the claimed design.

**1 Claim, 9 Drawing Sheets**



(56)

**References Cited**

U.S. PATENT DOCUMENTS

2016/0339351 A1\* 11/2016 Akishbekov ..... A63H 33/086

\* cited by examiner

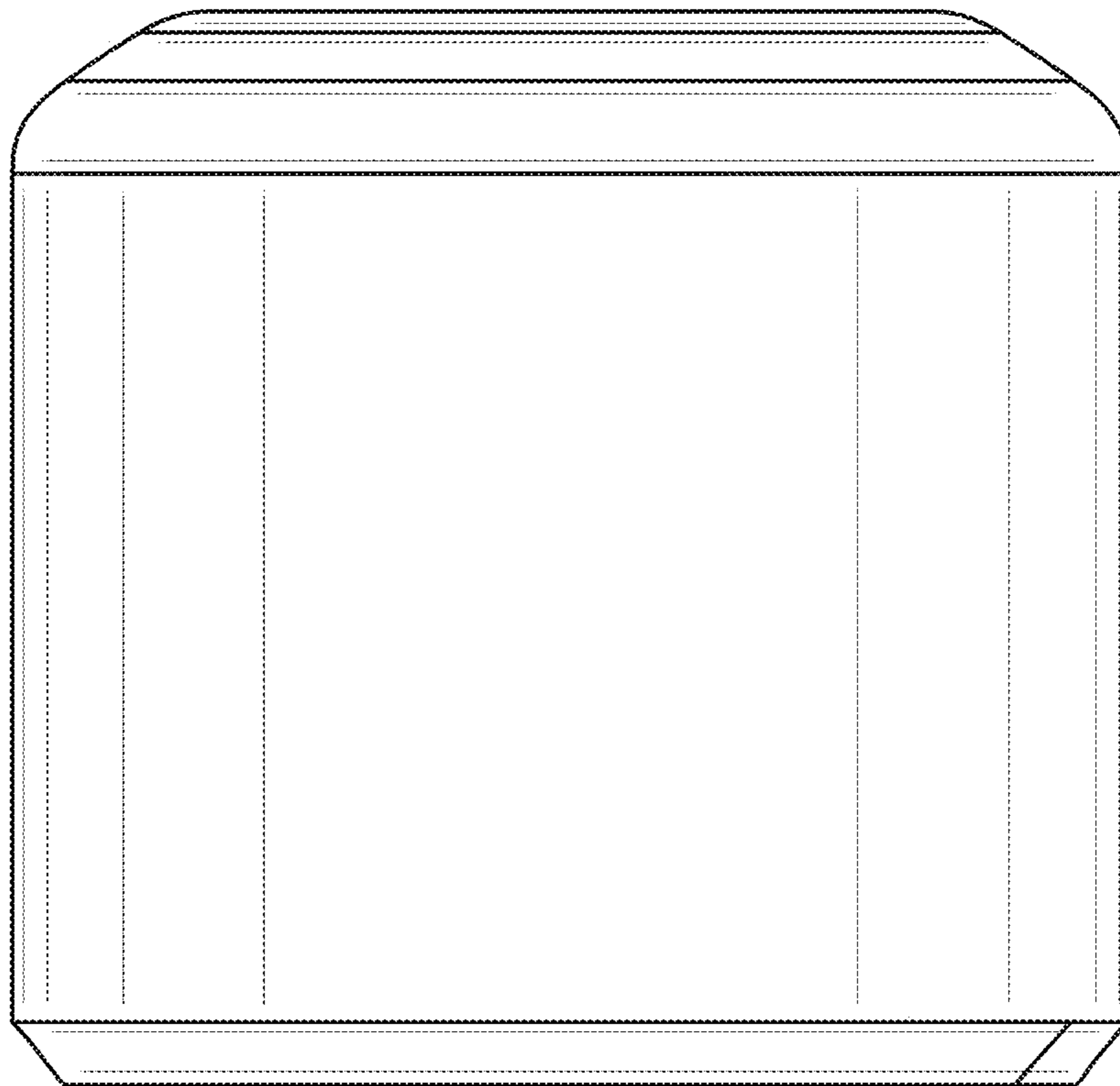


FIG. 1

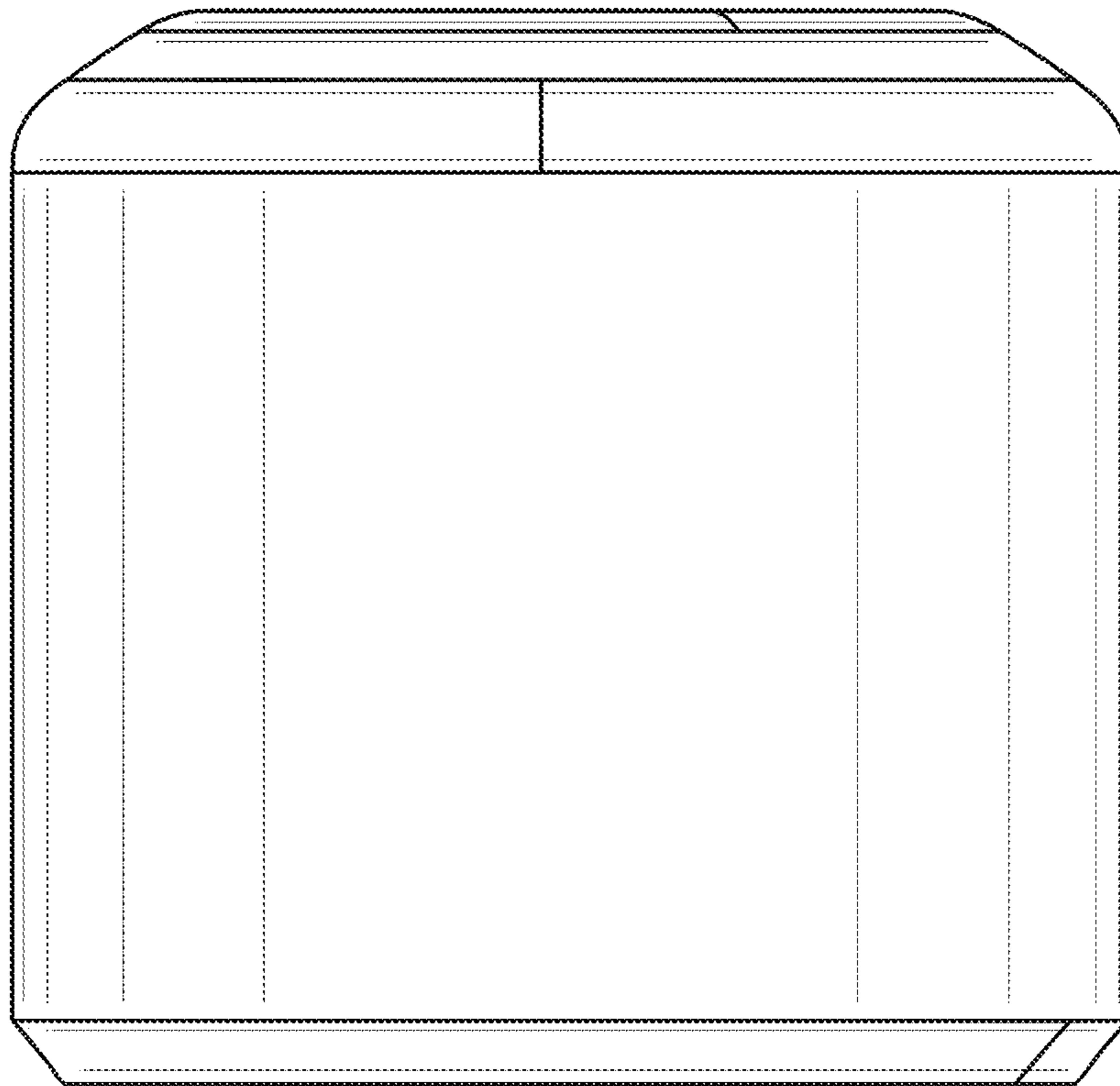


FIG. 2

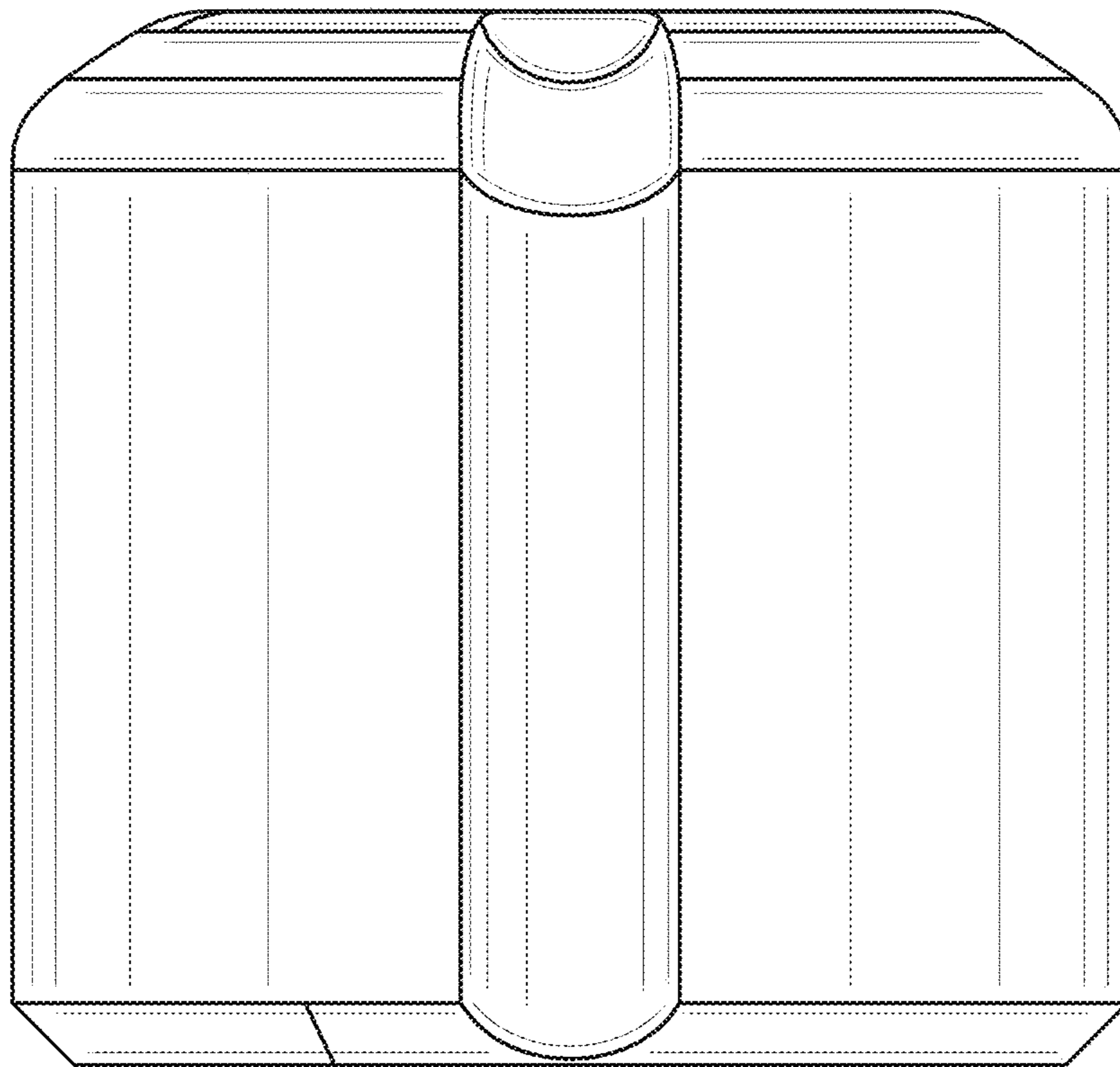


FIG. 3

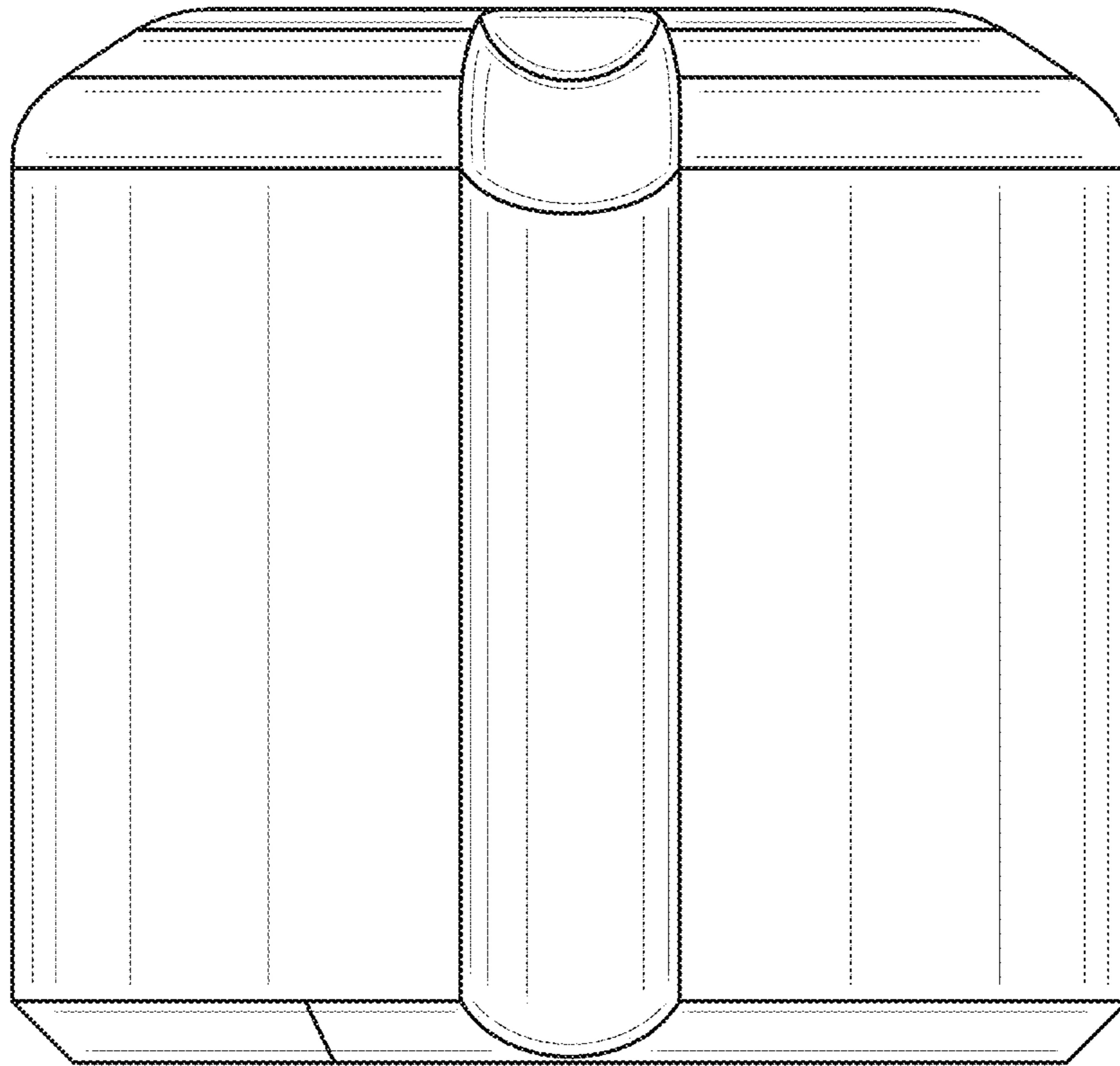


FIG. 4

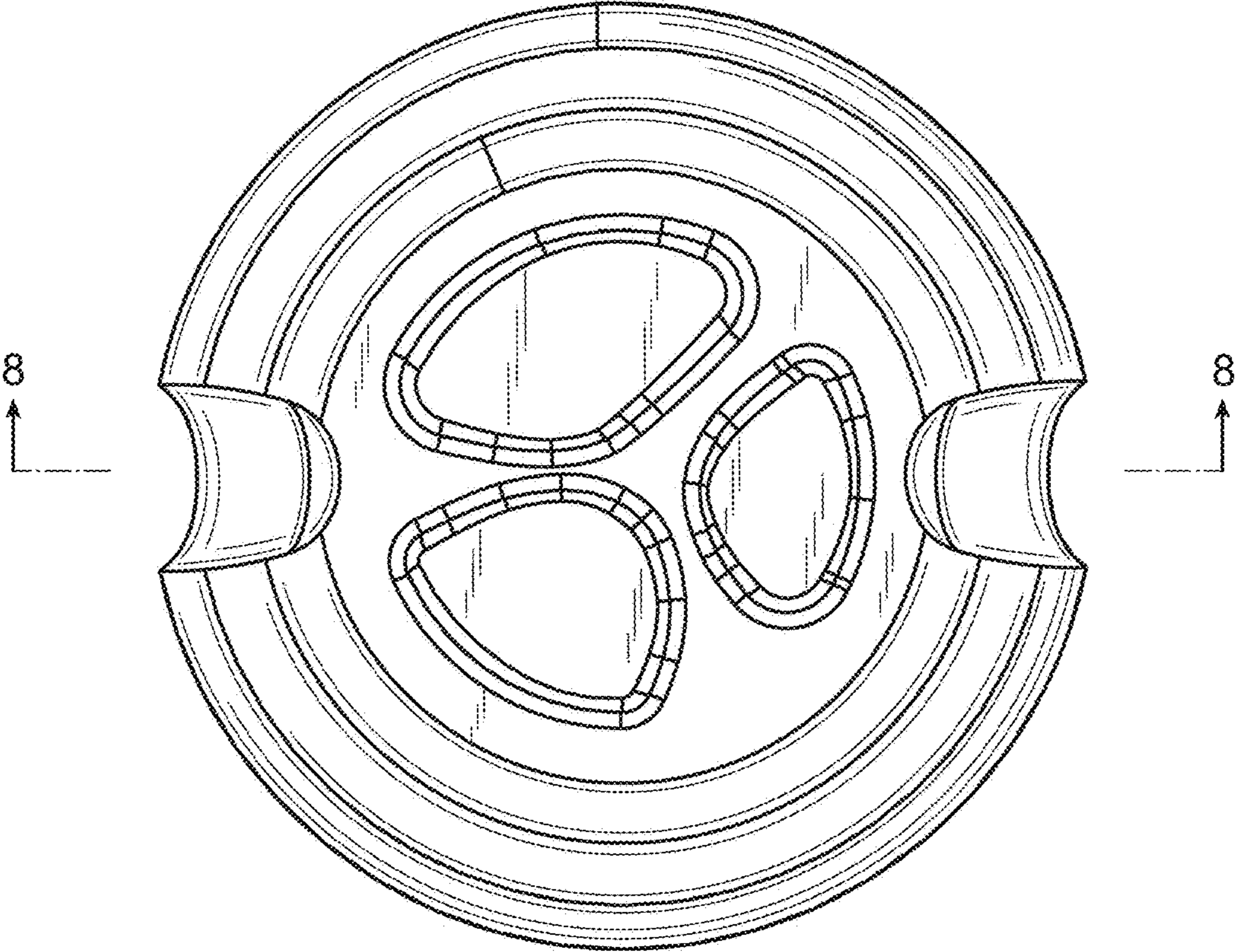


FIG. 5

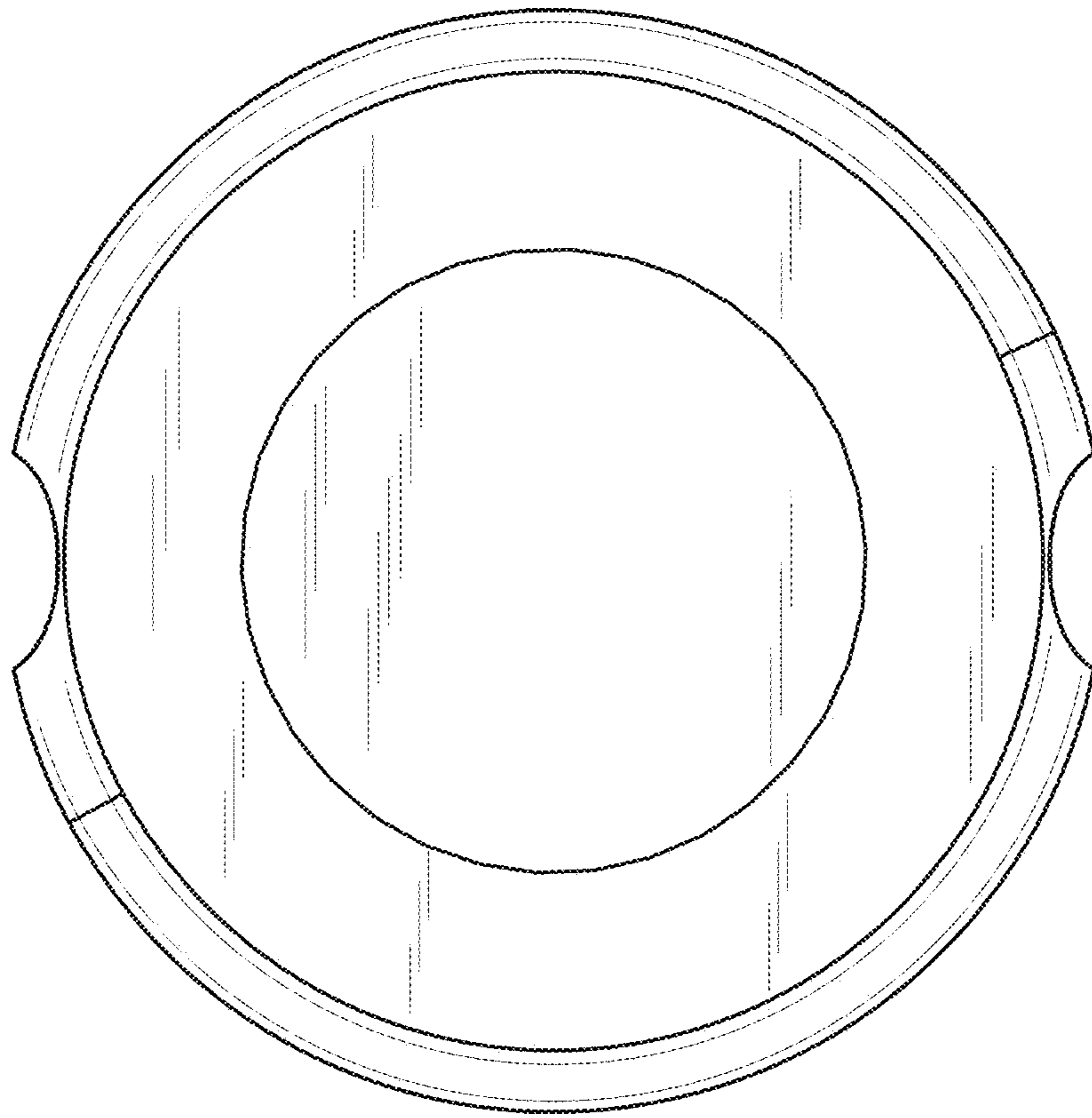


FIG. 6



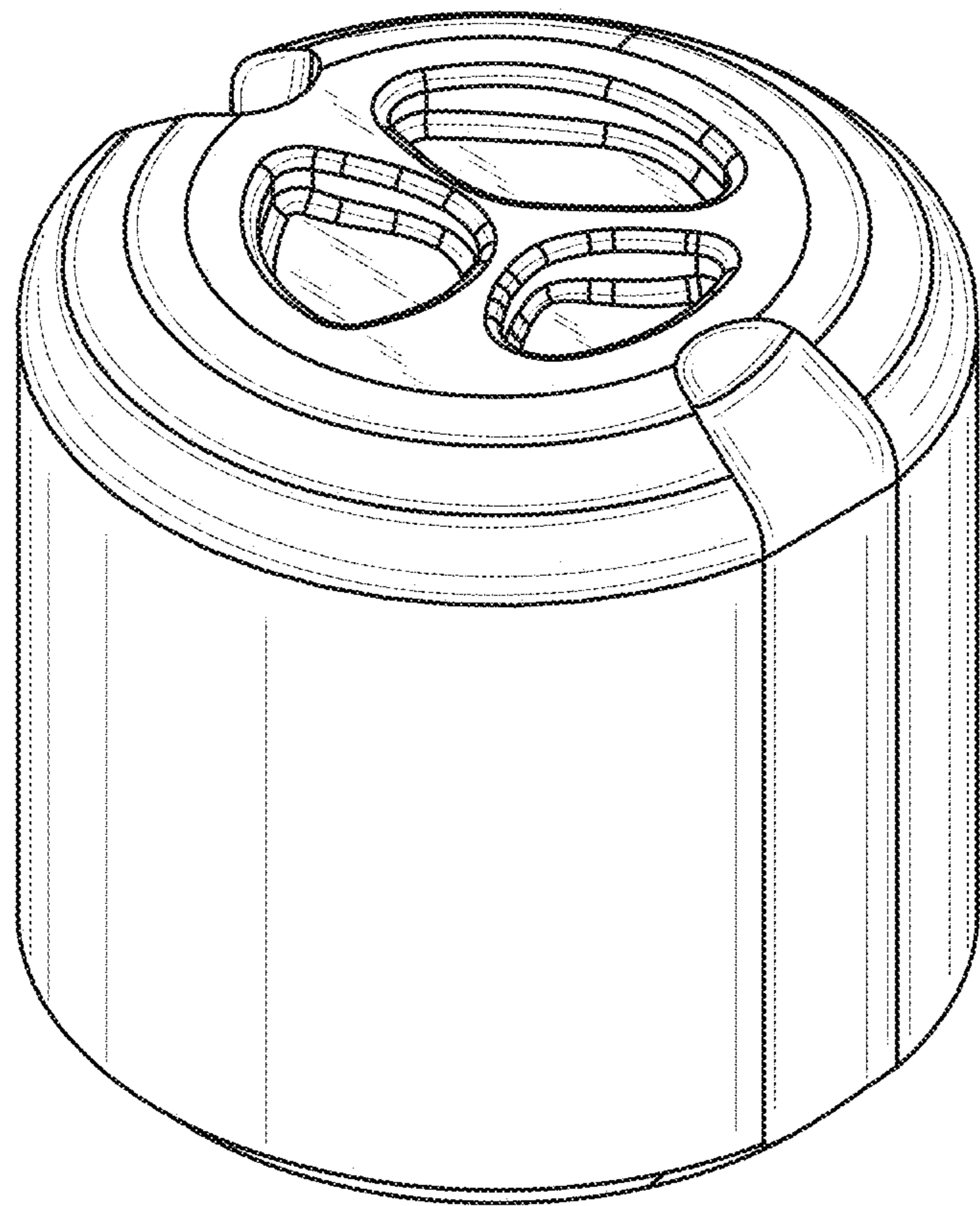


FIG. 7

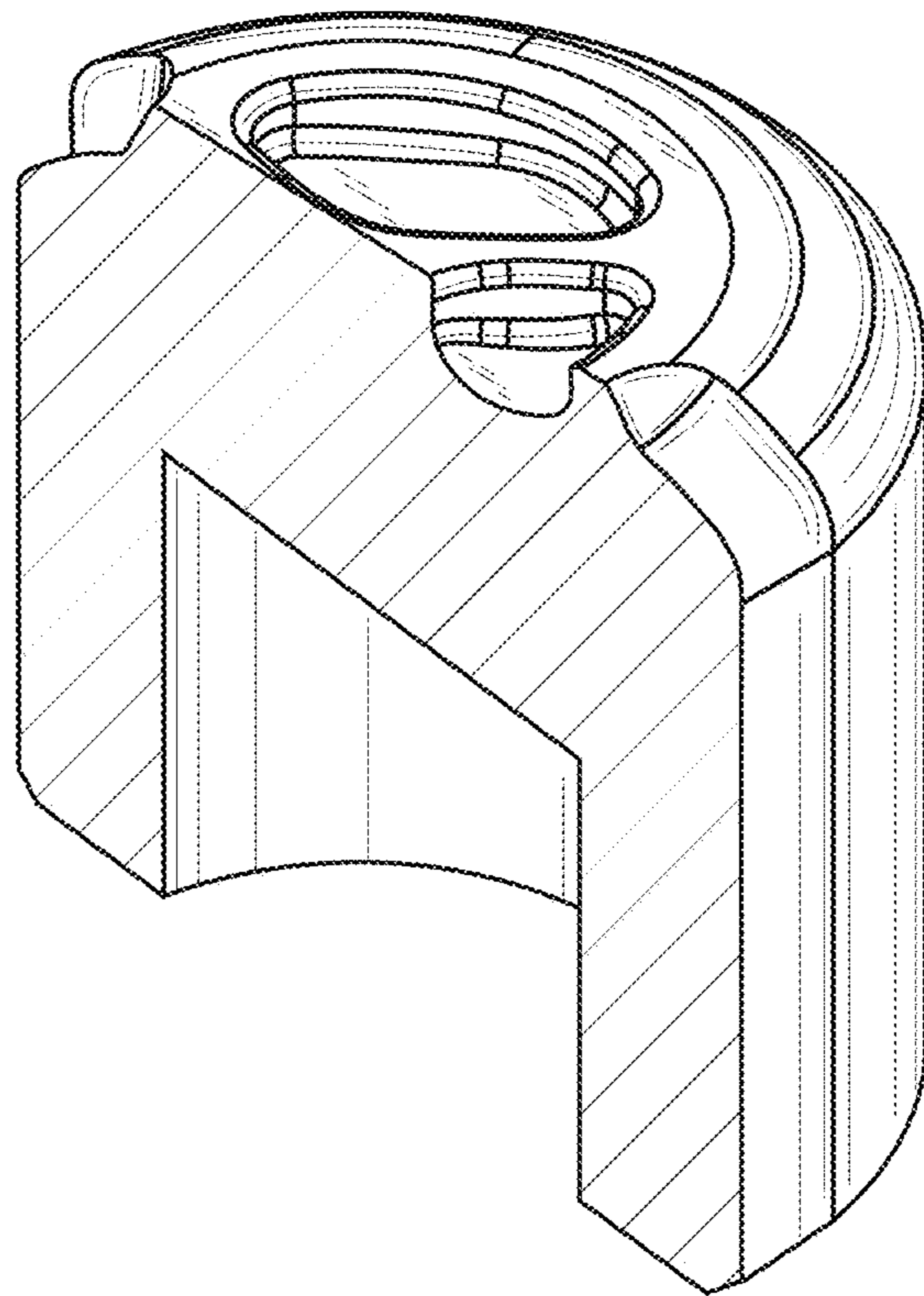


FIG. 8



FIG. 9