



US00D877814S

(12) **United States Design Patent**
Beland et al.

(10) **Patent No.:** **US D877,814 S**
(45) **Date of Patent:** **** Mar. 10, 2020**

- (54) **STILT**
- (71) Applicant: **METALTECH-OMEGA INC.**, Laval (CA)
- (72) Inventors: **Patrice Beland**, Montreal (CA);
Anthony Gonzalez, Laval (CA)
- (73) Assignee: **METALTECH-OMEGA INC.**, Laval (CA)
- (**) Term: **15 Years**
- (21) Appl. No.: **29/628,504**
- (22) Filed: **Dec. 5, 2017**
- (51) **LOC (12) Cl.** **21-01**
- (52) **U.S. Cl.**
USPC **D21/422**
- (58) **Field of Classification Search**
USPC D21/422
CPC A63B 25/00; A63B 25/06
See application file for complete search history.

- 2008/0058171 A1* 3/2008 Sener A63B 25/00
482/75
- 2008/0096732 A1* 4/2008 Lin A63B 25/00
482/75
- 2009/0203504 A1* 8/2009 Williams A63B 25/02
482/75
- 2010/0048361 A1* 2/2010 Smith A63B 25/00
482/75
- 2010/0093501 A1* 4/2010 Singleton A63B 25/00
482/75
- 2011/0275490 A1* 11/2011 Sener A63B 25/00
482/75

* cited by examiner

Primary Examiner — Cynthia M. Chin

(74) *Attorney, Agent, or Firm* — Benoit & Cote, Inc.; C. Marc Benoit

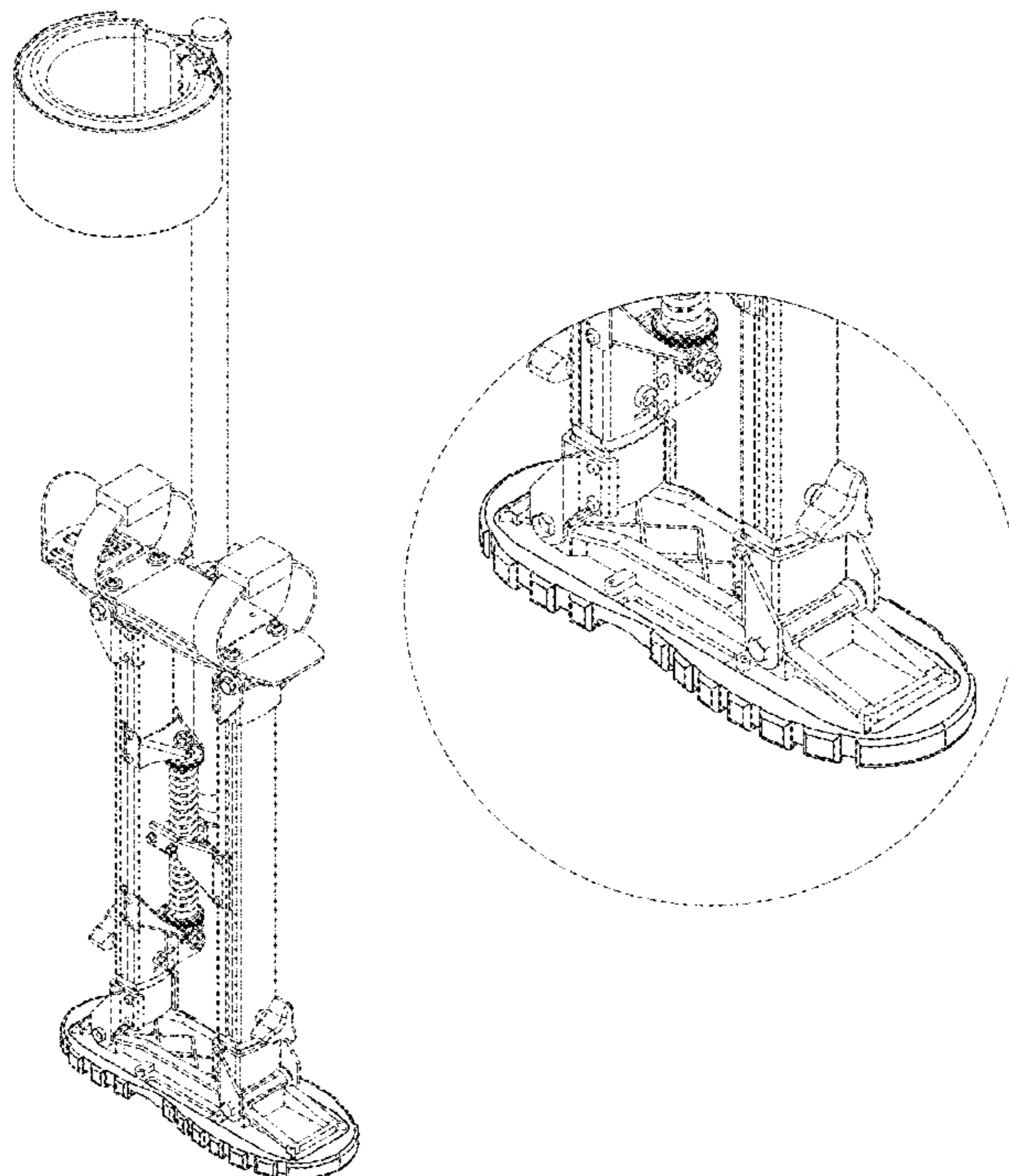
(57) **CLAIM**

We claim the ornamental design for stilt, as shown and described.

DESCRIPTION

FIG. 1 is a perspective view of the third embodiment of our ornamental design of the stilt;
 FIG. 2 is a close-up view of FIG. 1;
 FIG. 3 is a left side elevation view of the stilt of FIG. 1;
 FIG. 4 is a front elevation view of the stilt of FIG. 1;
 FIG. 5 is a right side elevation view of the stilt of FIG. 1;
 FIG. 6 is a rear elevation view of the stilt of FIG. 1;
 FIG. 7 is a top plan view of the stilt of FIG. 1; and,
 FIG. 8 is a bottom plan view of the stilt of FIG. 1.
 The broken lines shown are included for the purpose of illustrating portions of the article which form no part of the claimed design.

1 Claim, 4 Drawing Sheets



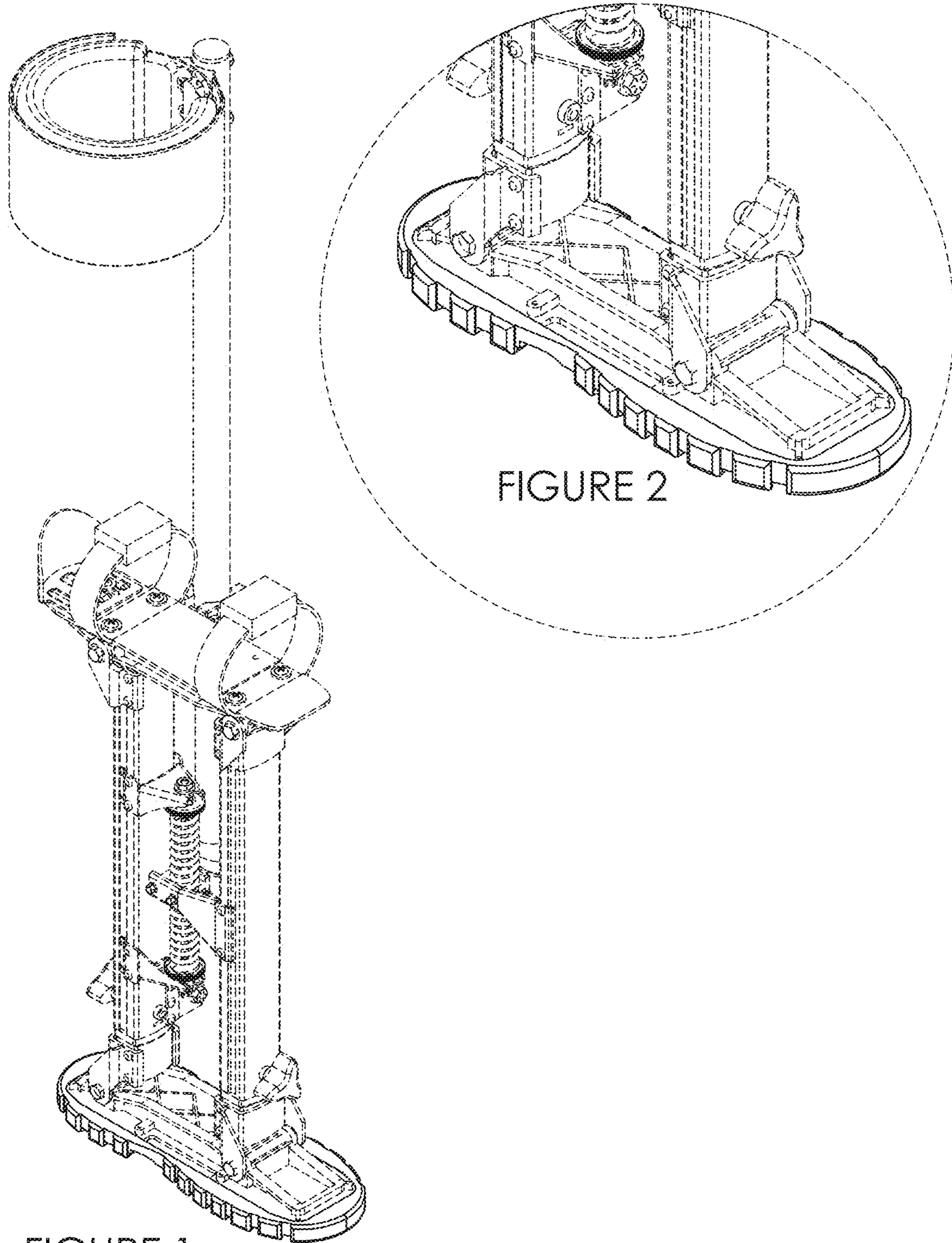


FIGURE 1

FIGURE 2

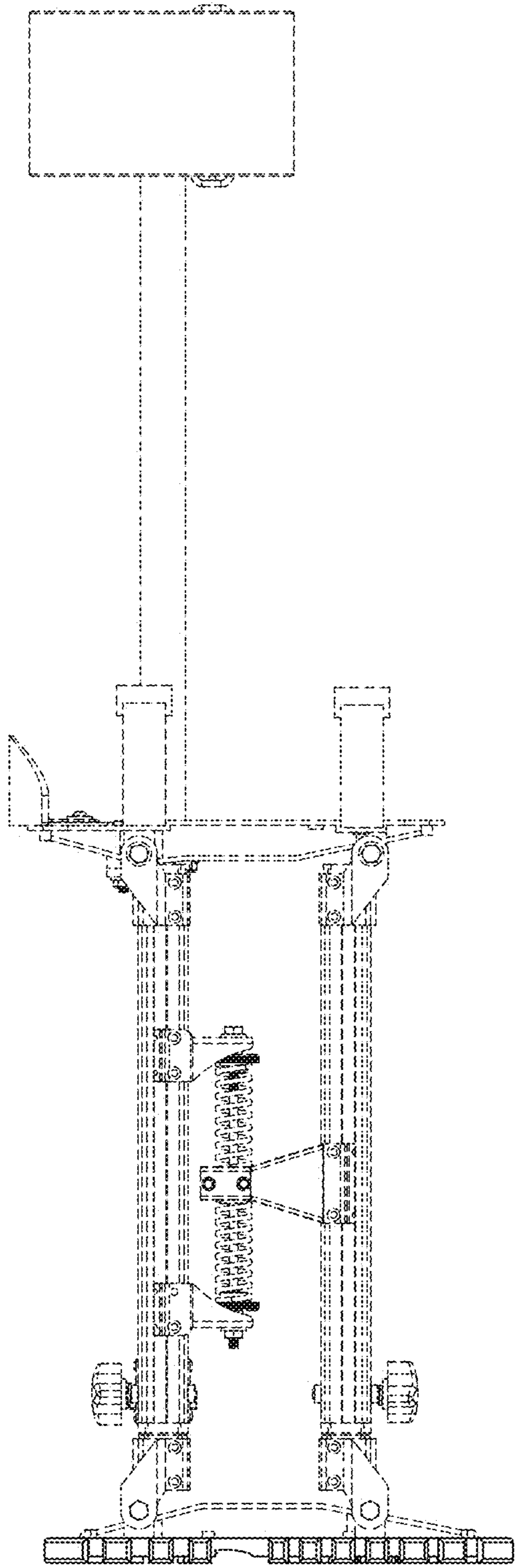


FIGURE 3

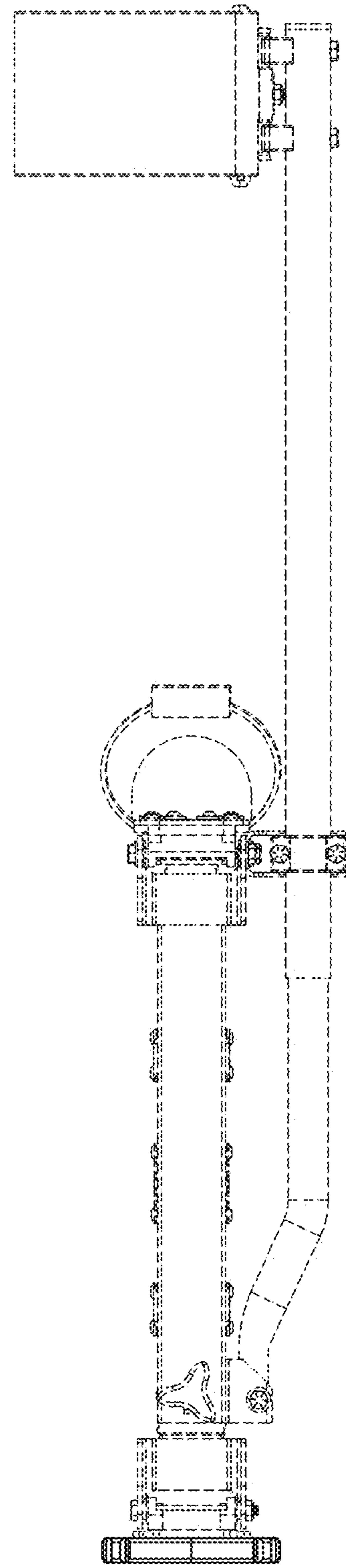


FIGURE 4

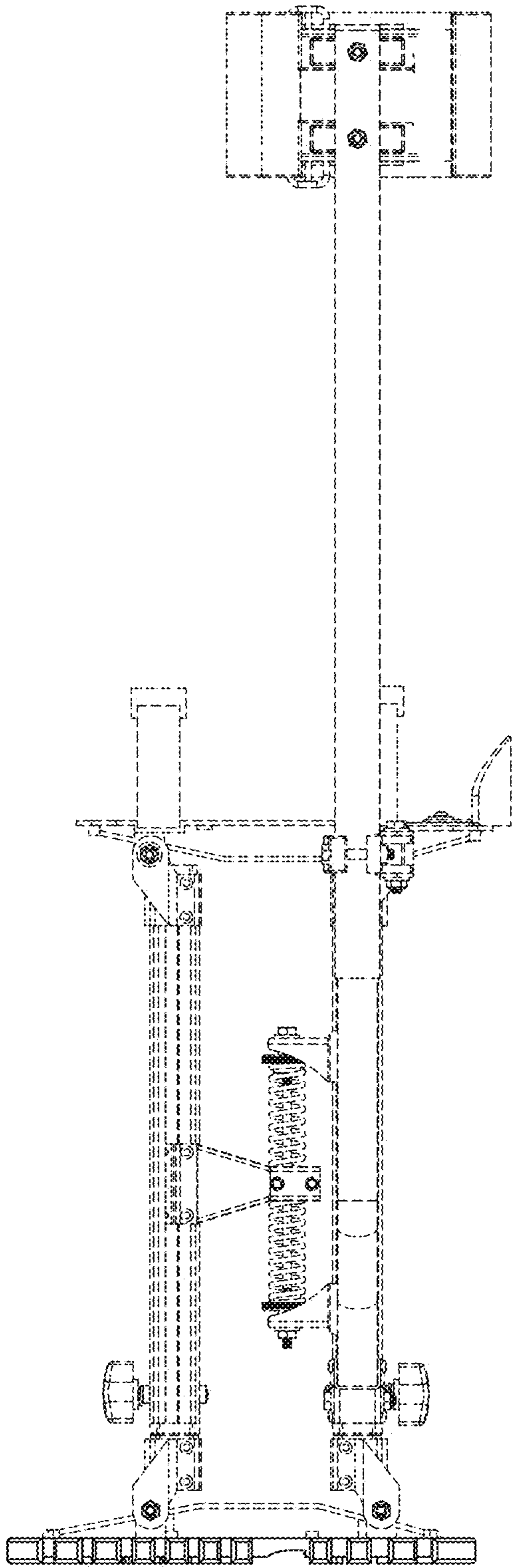


FIGURE 5

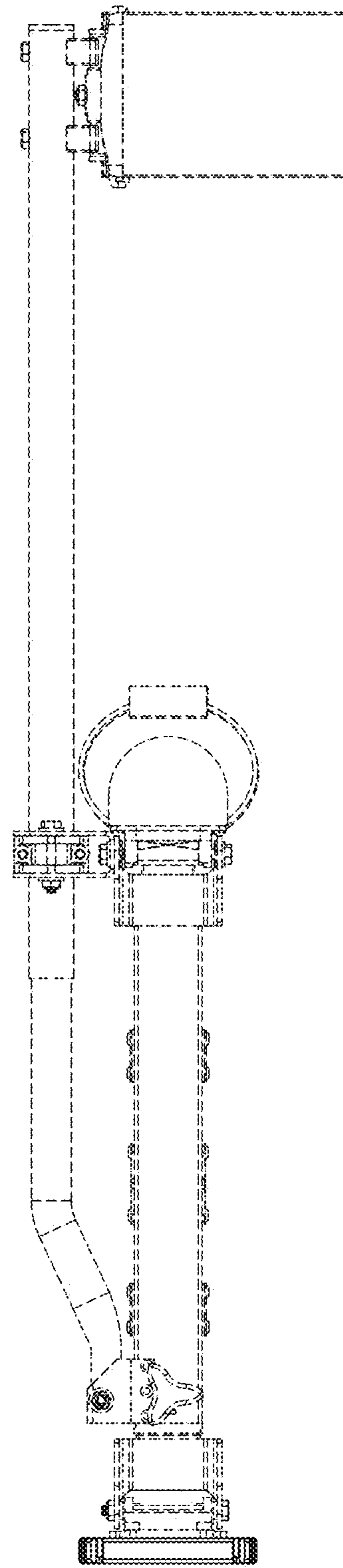


FIGURE 6

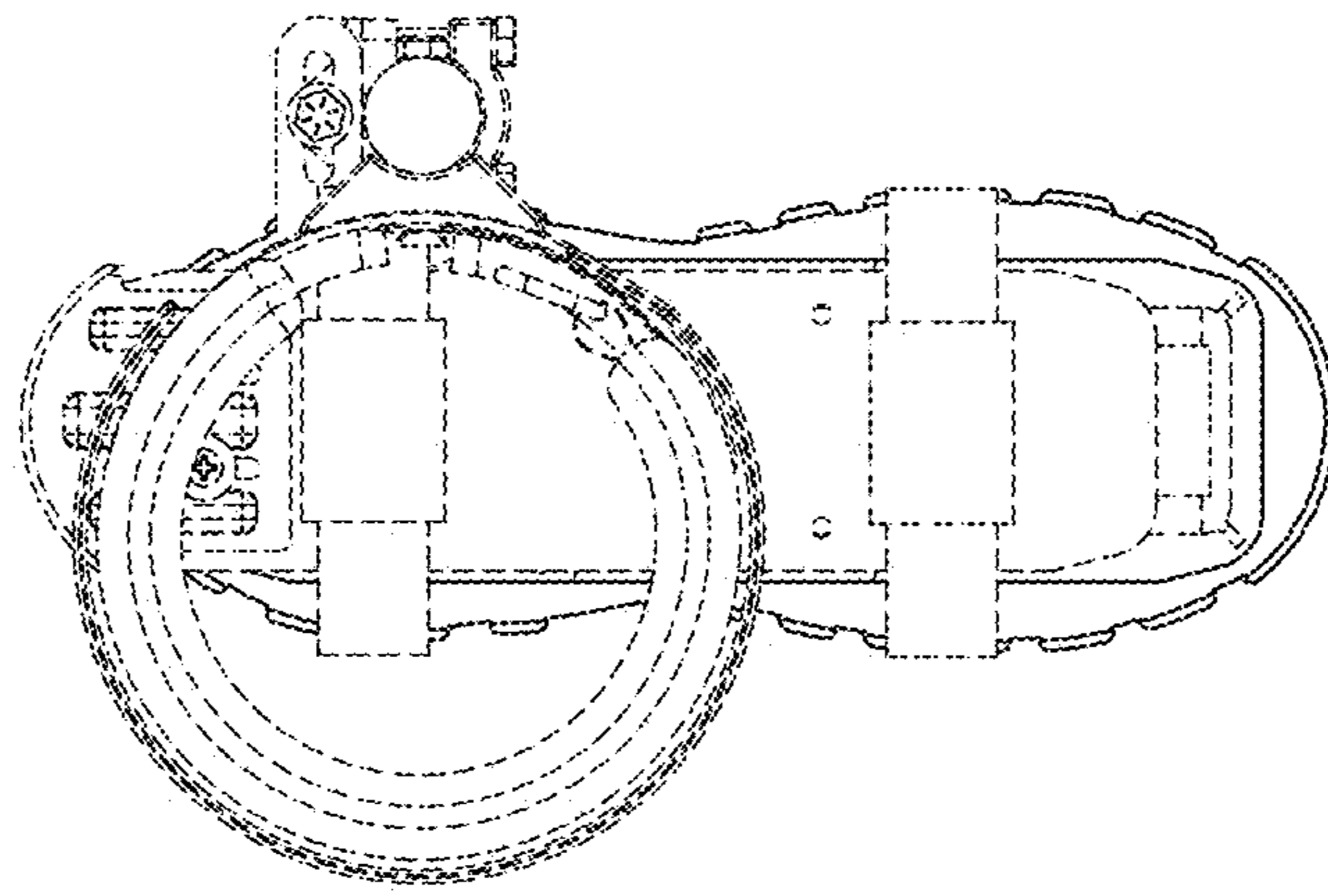


FIGURE 7

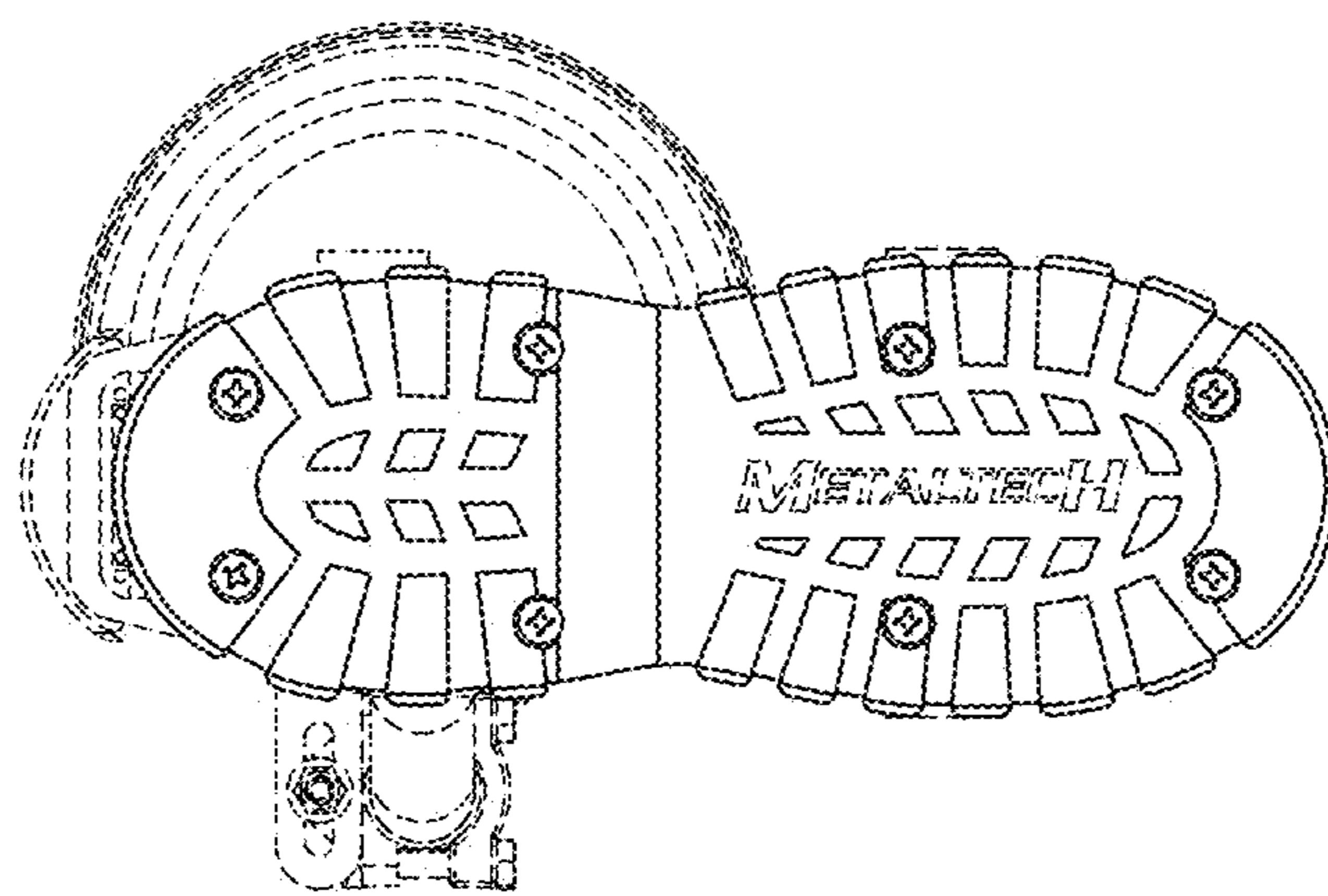


FIGURE 8