



US00D877810S

(12) **United States Design Patent**
Nelson et al.

(10) **Patent No.:** **US D877,810 S**
(45) **Date of Patent:** **** Mar. 10, 2020**

(54) **TOPPER DISPLAY FOR A BANK OF GAMING MACHINES**

(71) Applicant: **Everi Games Inc.**, Austin, TX (US)

(72) Inventors: **Loren Nelson**, Reno, NV (US); **Daniel Gibson**, Austin, TX (US); **Travis Bussey**, Austin, TX (US); **Courtney Bell**, Austin, TX (US)

(73) Assignee: **Everi Games, Inc.**, Austin, TX (US)

(**) Term: **15 Years**

(21) Appl. No.: **29/617,351**

(22) Filed: **Sep. 13, 2017**

(51) **LOC (12) Cl.** **21-03**

(52) **U.S. Cl.**
USPC **D21/369**

(58) **Field of Classification Search**
USPC D21/369, 370, 371, 385, 329, 325, 394;
D14/307, 172, 129, 325, 401, 371, 126,
D14/439, 432, 450, 128, 375, 248, 374,
D14/341, 138 G, 127; 463/28, 13, 11,
463/16, 20, 25, 31, 46, 23, 30, 17, 36, 29,
463/42, 34, 32, 35, 19, 21, 22; 273/292,
273/203, 138.2, 143 R, 142 R, 138.1;
D19/60; D16/226; D8/335, 331, 334;
D26/141; D7/641
CPC G07F 17/32; G07F 17/34; G07F 17/3211;
G07F 17/3244; G07F 17/3267
See application file for complete search history.

(56) **References Cited**

U.S. PATENT DOCUMENTS

D464,377 S * 10/2002 Wurz D21/369
6,685,560 B1 * 2/2004 Hughes G07F 17/32
463/16
D508,269 S * 8/2005 Wichinsky D21/325

D508,719 S * 8/2005 de Haas D21/325
D508,961 S * 8/2005 Gatto D21/325
D523,092 S * 6/2006 Karlsson D21/329
D535,338 S * 1/2007 Linard D21/369
D539,854 S * 4/2007 Luciano D21/369
D596,678 S * 7/2009 Myers D21/370
D603,909 S * 11/2009 De Viveiros Ortiz D21/325
D604,774 S * 11/2009 De Viveiros Ortiz D21/325
D613,802 S * 4/2010 Meyers D21/370
D633,950 S * 3/2011 Terpstra D21/369
D649,605 S * 11/2011 Terpstra D21/370
D677,736 S * 3/2013 Dorn D21/370
D685,033 S * 6/2013 Wudtke D21/370

(Continued)

Primary Examiner — Ryan Harvey

(74) *Attorney, Agent, or Firm* — The Culbertson Group, P.C.; Russell D. Culbertson

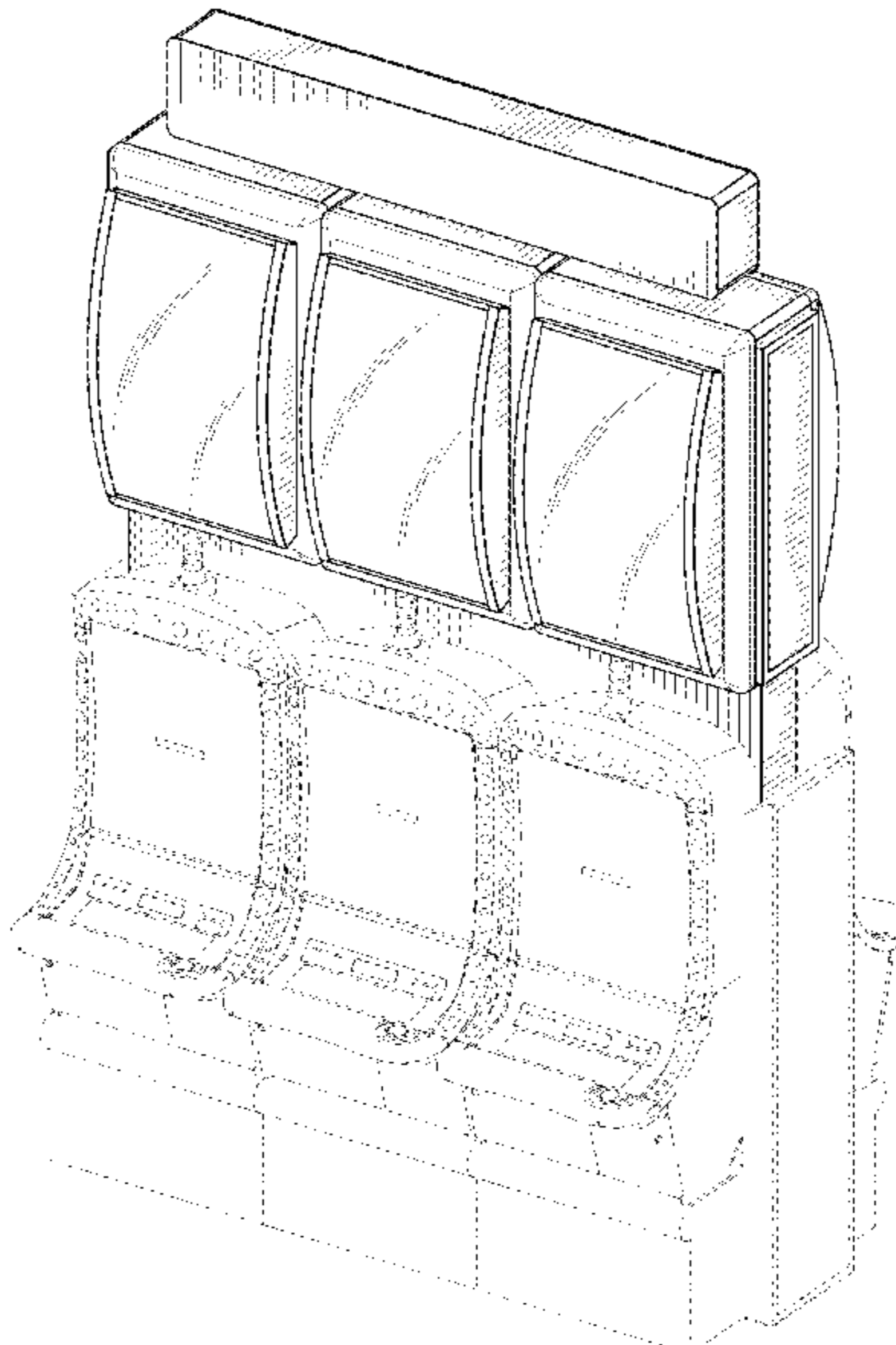
(57) **CLAIM**

The ornamental design for a topper display for a bank of gaming machines, as shown and described.

DESCRIPTION

FIG. 1 is a perspective view from above of a topper display for a bank of gaming machines showing the new design. FIG. 2 is a front elevational view of the topper display for a bank of gaming machines shown in FIG. 1, the rear elevational view being identical. FIG. 3 is a left side elevational view of the topper display for a bank of gaming machines shown in FIG. 1, the right side elevational view being identical. FIG. 4 is a top plan view of the topper display for a bank of gaming machines shown in FIG. 1; and, FIG. 5 is a bottom plan view of the topper display for a bank of gaming machines shown in FIG. 1, the topper display not being visible in this view. The topper display for a bank of gaming machines and the end caps shown in broken lines depict environment and form no part of the claim.

1 Claim, 5 Drawing Sheets



(56)

References Cited

U.S. PATENT DOCUMENTS

D697,558 S * 1/2014 Myers D21/325
 D706,741 S * 6/2014 Myers D14/172
 D719,615 S * 12/2014 Inoue D21/370
 D721,766 S * 1/2015 Ferrazoli D21/370
 D736,752 S * 8/2015 Lee D14/248
 D740,888 S * 10/2015 DePalma D21/370
 D742,975 S * 11/2015 Myers D21/370
 9,183,697 B2 * 11/2015 Kido G07F 17/3211
 D752,573 S * 3/2016 Ballman D14/307
 9,659,434 B2 * 5/2017 Bainbridge G07F 17/3218
 9,679,435 B2 * 6/2017 Schrementi G07F 17/3213
 9,704,337 B2 * 7/2017 Riggs G07F 17/3258
 9,747,754 B2 * 8/2017 Carpenter G07F 17/3286
 D803,323 S * 11/2017 Bussey D21/369
 D803,324 S * 11/2017 Bussey D21/370
 D808,354 S * 1/2018 Castro D14/127
 D809,068 S * 1/2018 Ballman D21/369
 D809,069 S * 1/2018 Ballman D21/369
 D812,146 S * 3/2018 Castro D21/369
 D820,915 S * 6/2018 Lee D21/369
 D822,117 S * 7/2018 Costa D21/325
 D832,355 S * 10/2018 Castro D21/369
 D832,356 S * 10/2018 Castro D21/369
 D834,652 S * 11/2018 Lee D21/369
 10,181,236 B2 * 1/2019 Goldstein G07F 17/3216
 D842,933 S * 3/2019 Castro D21/396
 D843,459 S * 3/2019 Castro D21/369

D843,460 S * 3/2019 Castro D21/369
 D843,461 S * 3/2019 Castro D21/369
 D843,462 S * 3/2019 Castro D21/369
 D843,463 S * 3/2019 Castro D21/369
 D843,464 S * 3/2019 Castro D21/369
 D843,465 S * 3/2019 Castro D21/369
 D843,466 S * 3/2019 Castro D21/369
 D843,473 S * 3/2019 Zedell, Jr. D21/369
 D843,474 S * 3/2019 Lesley D21/369
 D843,475 S * 3/2019 Lesley D21/369
 D843,476 S * 3/2019 Lesley D21/369
 D846,650 S * 4/2019 Stair D21/369
 10,297,103 B2 * 5/2019 Hornik G07F 17/3213
 D850,536 S * 6/2019 Stair D21/370
 D850,537 S * 6/2019 Urban D21/370
 D854,620 S * 7/2019 Yeh D21/369
 10,339,751 B2 * 7/2019 Scott G07F 17/3234
 2005/0014547 A1 * 1/2005 Gomez G07F 17/3202
 463/16
 2010/0120541 A1 * 5/2010 Lesley G07F 17/32
 463/46
 2010/0124962 A1 * 5/2010 Chudek G07F 17/32
 463/13
 2016/0093143 A1 * 3/2016 Lamb G07F 17/3213
 463/20
 2016/0364946 A1 * 12/2016 Castro G07F 17/3216
 2017/0092052 A1 * 3/2017 McKay G07F 17/3216
 2019/0102971 A1 * 4/2019 Schoonmaker G07F 17/3211
 2019/0102974 A1 * 4/2019 Bussey G07F 17/3211

* cited by examiner

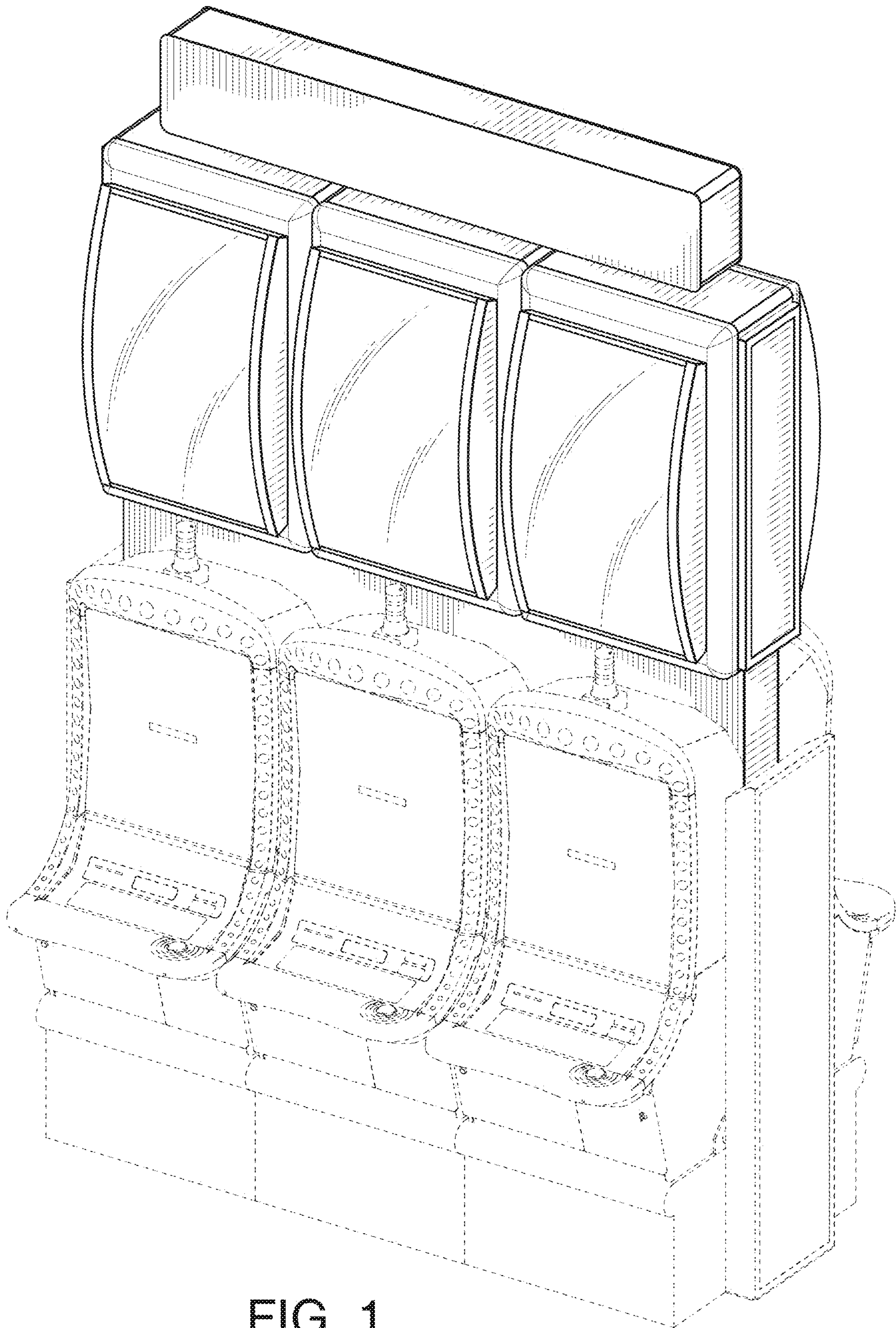


FIG. 1

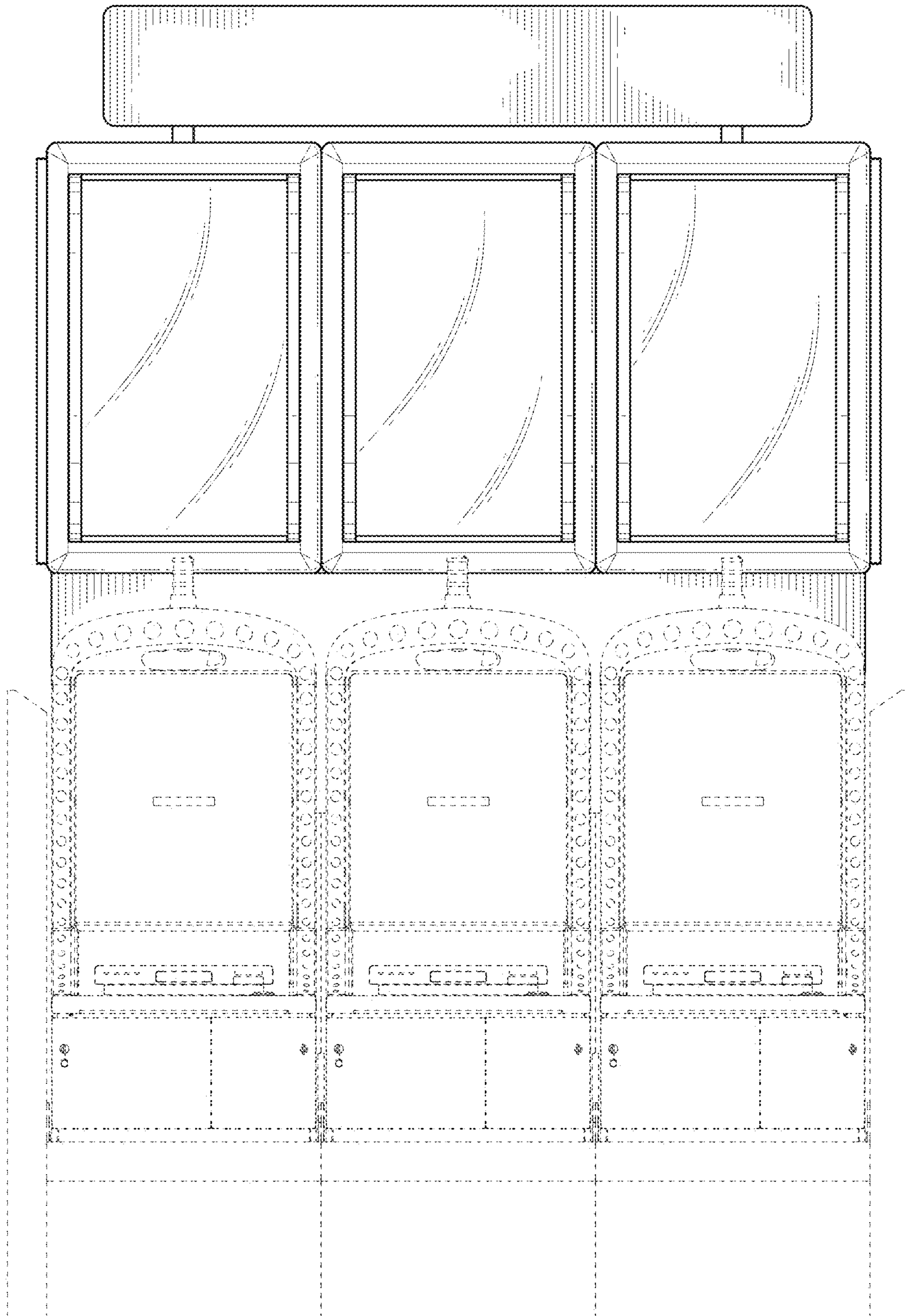


FIG. 2

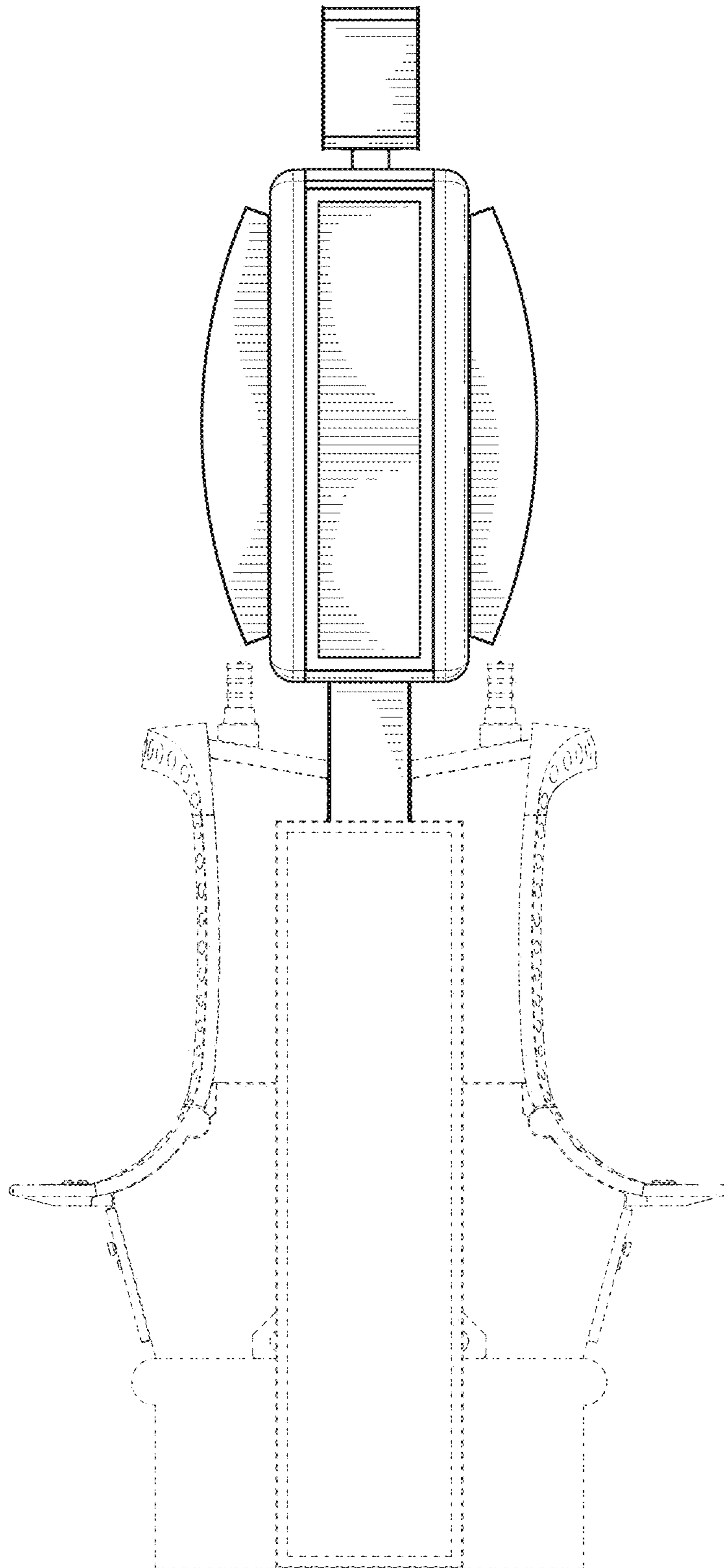


FIG. 3

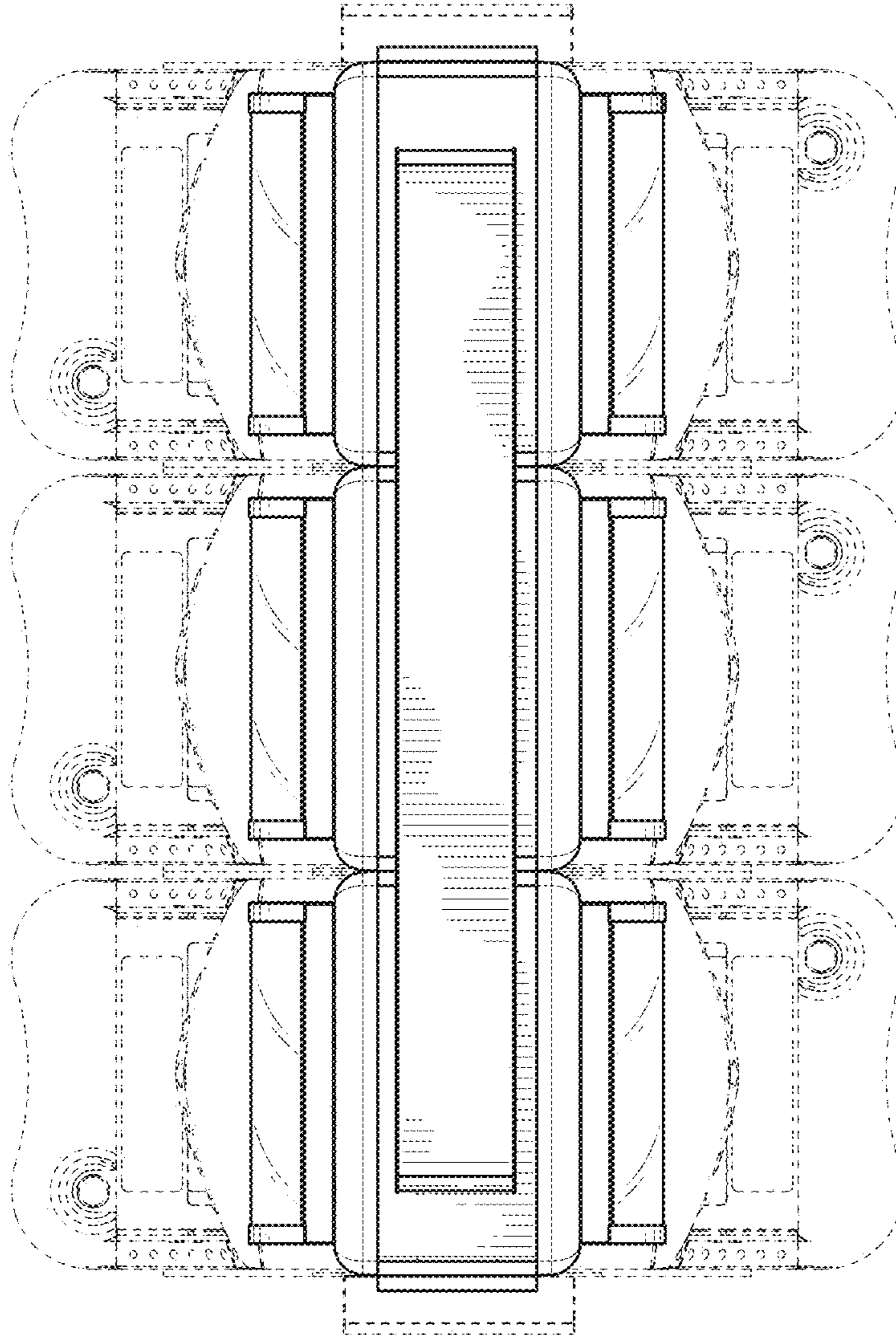


FIG. 4

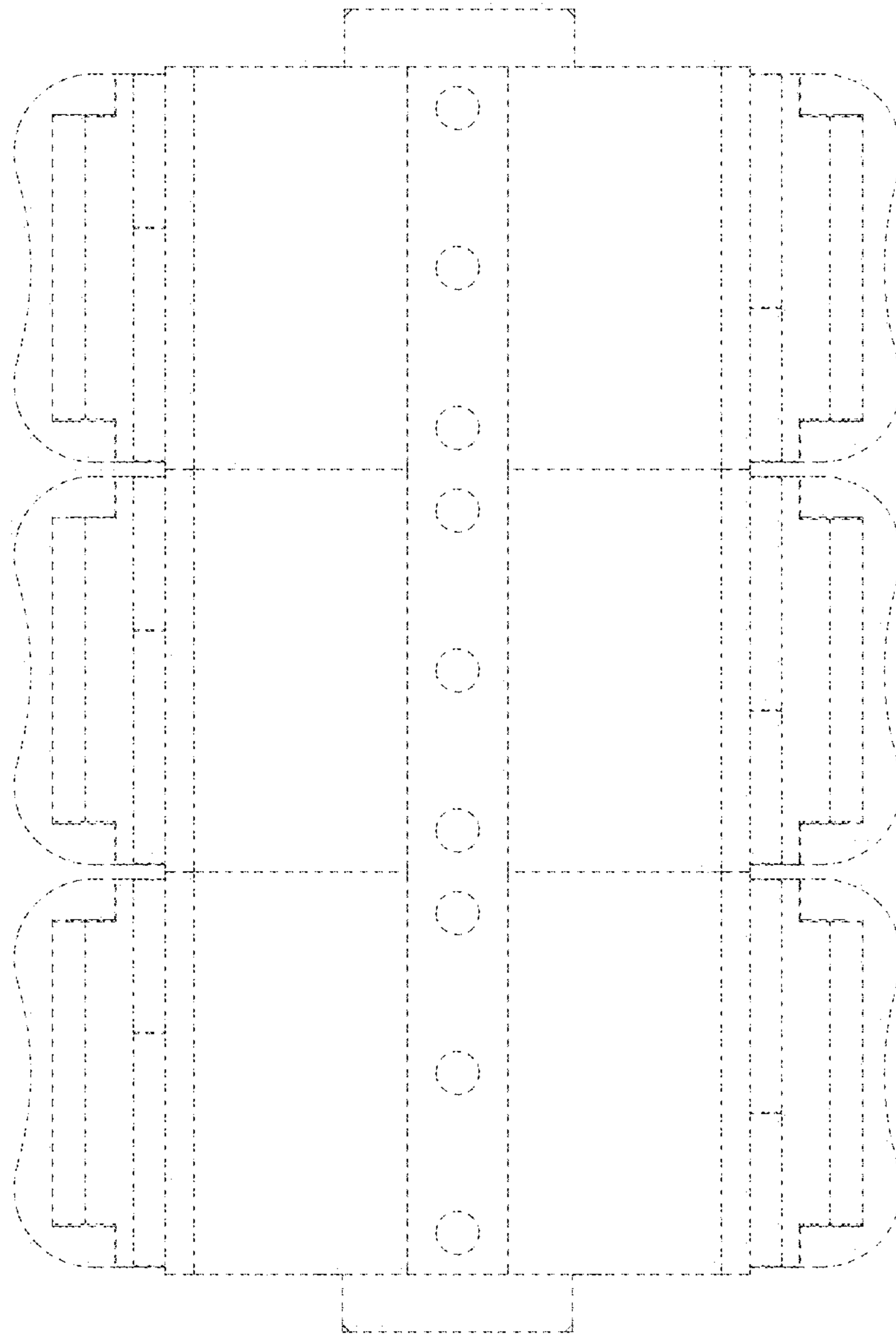


FIG. 5