



US00D877805S

(12) **United States Design Patent**
McBride

(10) **Patent No.:** **US D877,805 S**

(45) **Date of Patent:** **** Mar. 10, 2020**

(54) **GUITAR PICK**

(71) Applicant: **Cole Eshee Heve McBride**, Vancouver
(CA)

(72) Inventor: **Cole Eshee Heve McBride**, Vancouver
(CA)

(**) Term: **15 Years**

(21) Appl. No.: **29/669,528**

(22) Filed: **Nov. 8, 2018**

(51) **LOC (12) Cl.** **17-03**

(52) **U.S. Cl.**
USPC **D17/20**

(58) **Field of Classification Search**
USPC D17/14, 18, 19, 20, 21, 99; D21/405
CPC .. G10D 1/08; G10D 1/10; G10D 3/00; G10D
3/04; G10D 3/16; G10D 3/163; G10D
3/18; G10G 5/005; G10H 1/348; G09B
15/00

See application file for complete search history.

(56) **References Cited**

U.S. PATENT DOCUMENTS

4,270,433 A * 6/1981 Adamec B01F 17/0064
84/322
5,973,243 A * 10/1999 Christenson G10D 3/163
84/322

D603,891 S * 11/2009 Whetstone D17/20
2006/0156895 A1 * 7/2006 Judd G10D 3/163
84/320
2013/0312639 A1 * 11/2013 Hobbs C09J 105/00
106/205.71

FOREIGN PATENT DOCUMENTS

EP 0016439 A1 * 10/1980 G10D 3/163

* cited by examiner

Primary Examiner — R. Johnson

(74) *Attorney, Agent, or Firm* — Quickpatents, LLC;
Kevin Prince

(57) **CLAIM**

The ornamental design for a guitar pick, as shown and described.

DESCRIPTION

FIG. 1 is a perspective view of a guitar pick, showing my new design;

FIG. 2 is a front elevational view thereof;

FIG. 3 is a rear elevational view thereof;

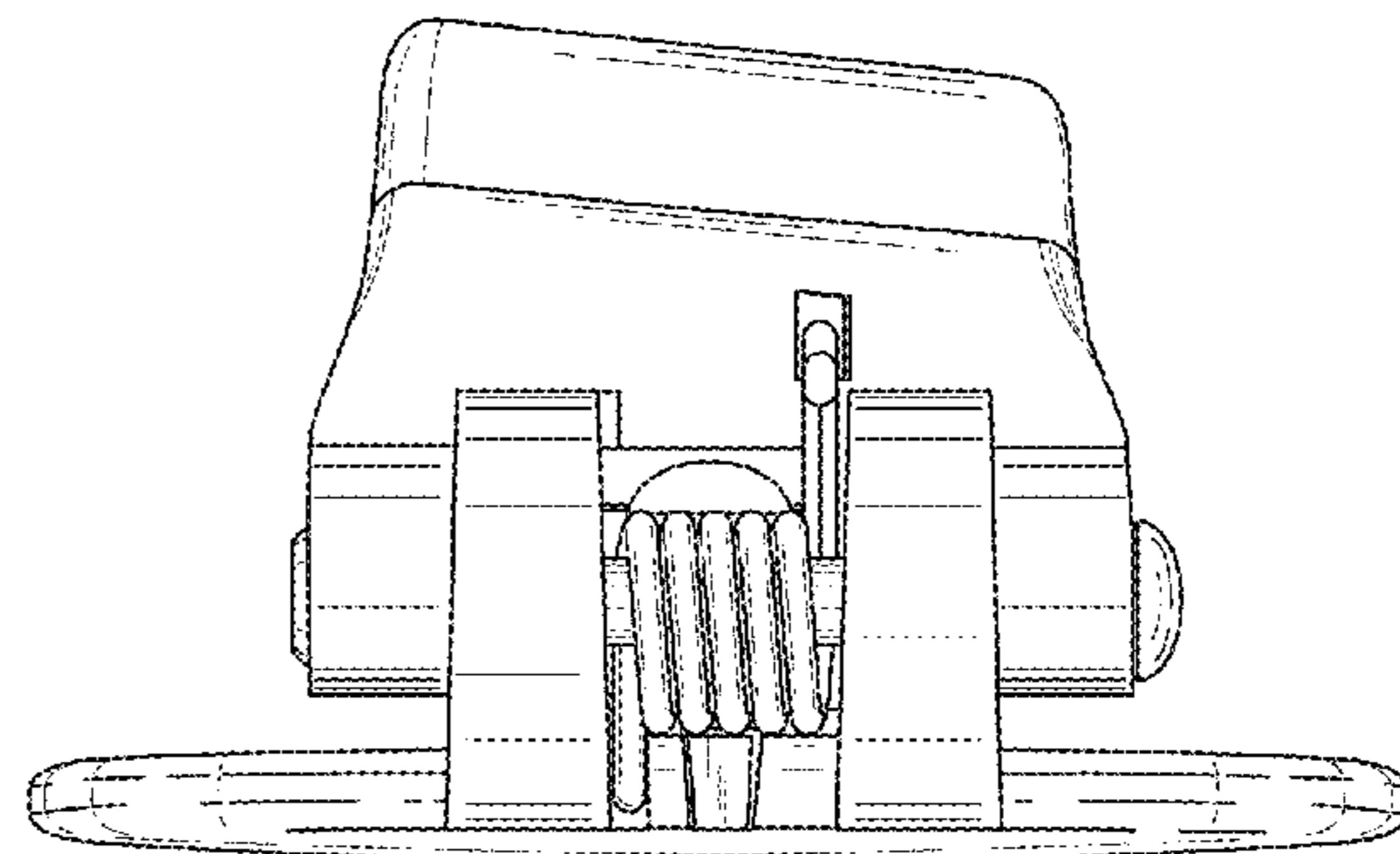
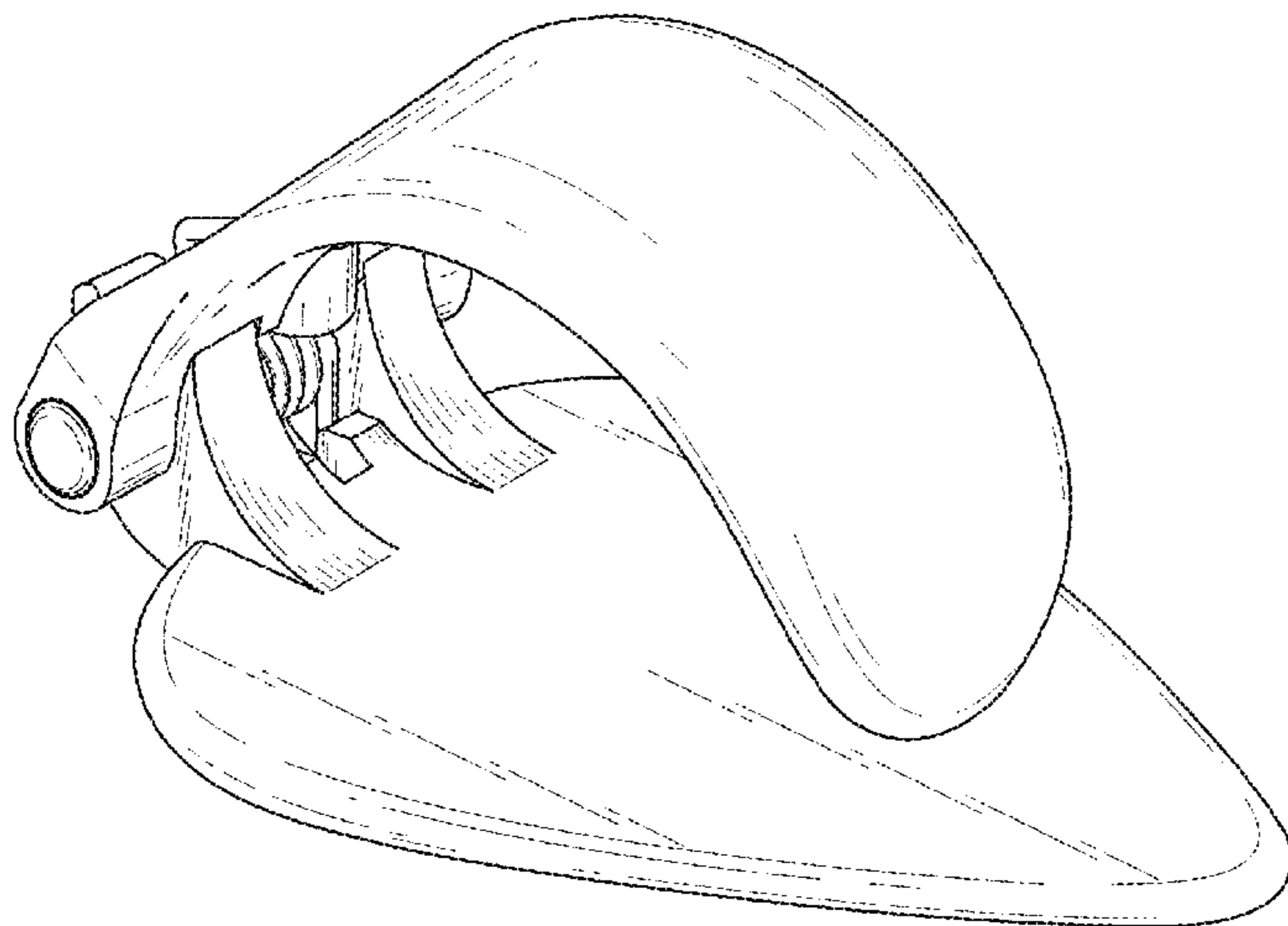
FIG. 4 is a right-side elevational view thereof;

FIG. 5 is a left-side elevational view thereof;

FIG. 6 is a reduced top plan view thereof; and,

FIG. 7 is a reduced bottom plan view thereof.

1 Claim, 4 Drawing Sheets



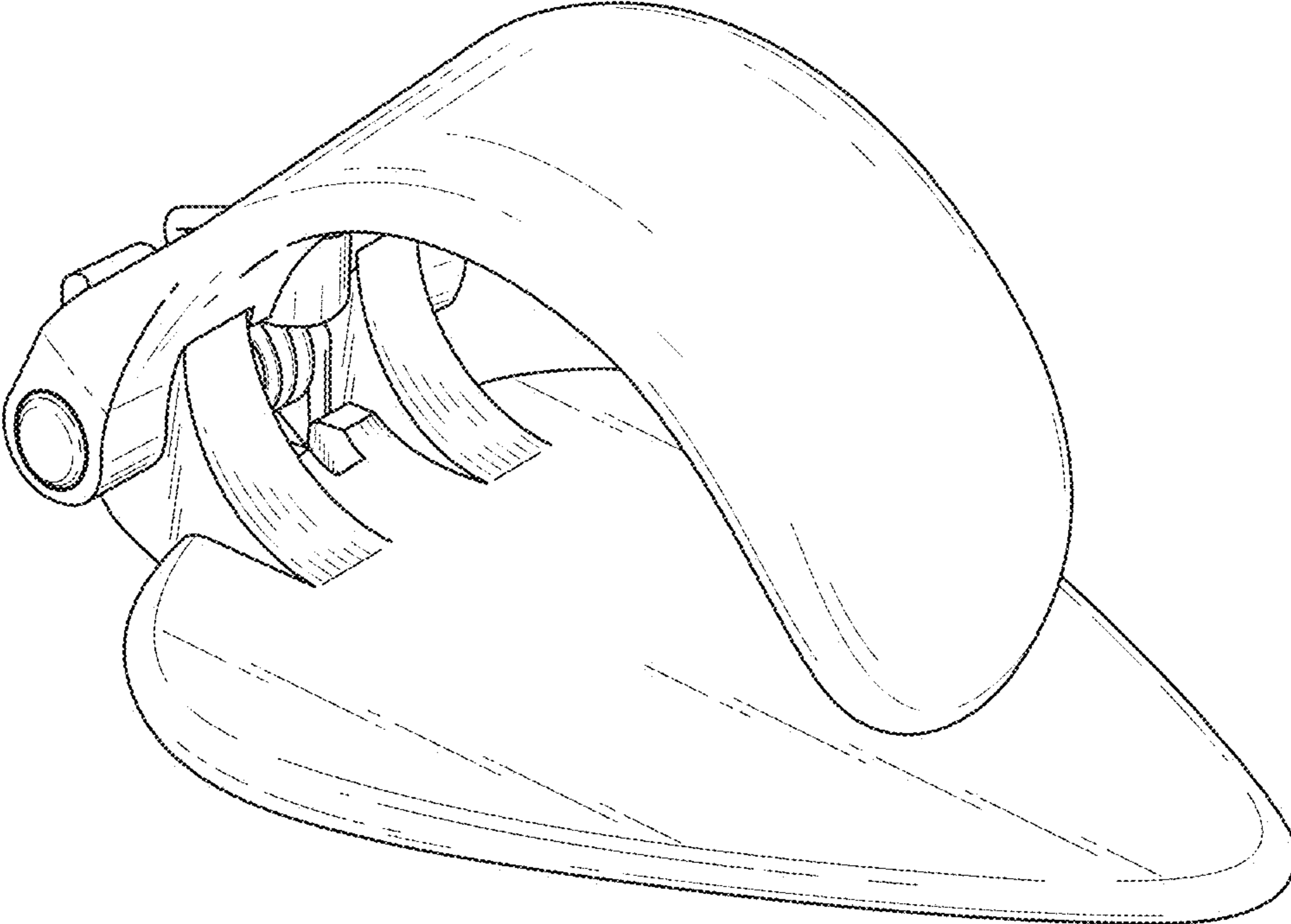


FIG. 1

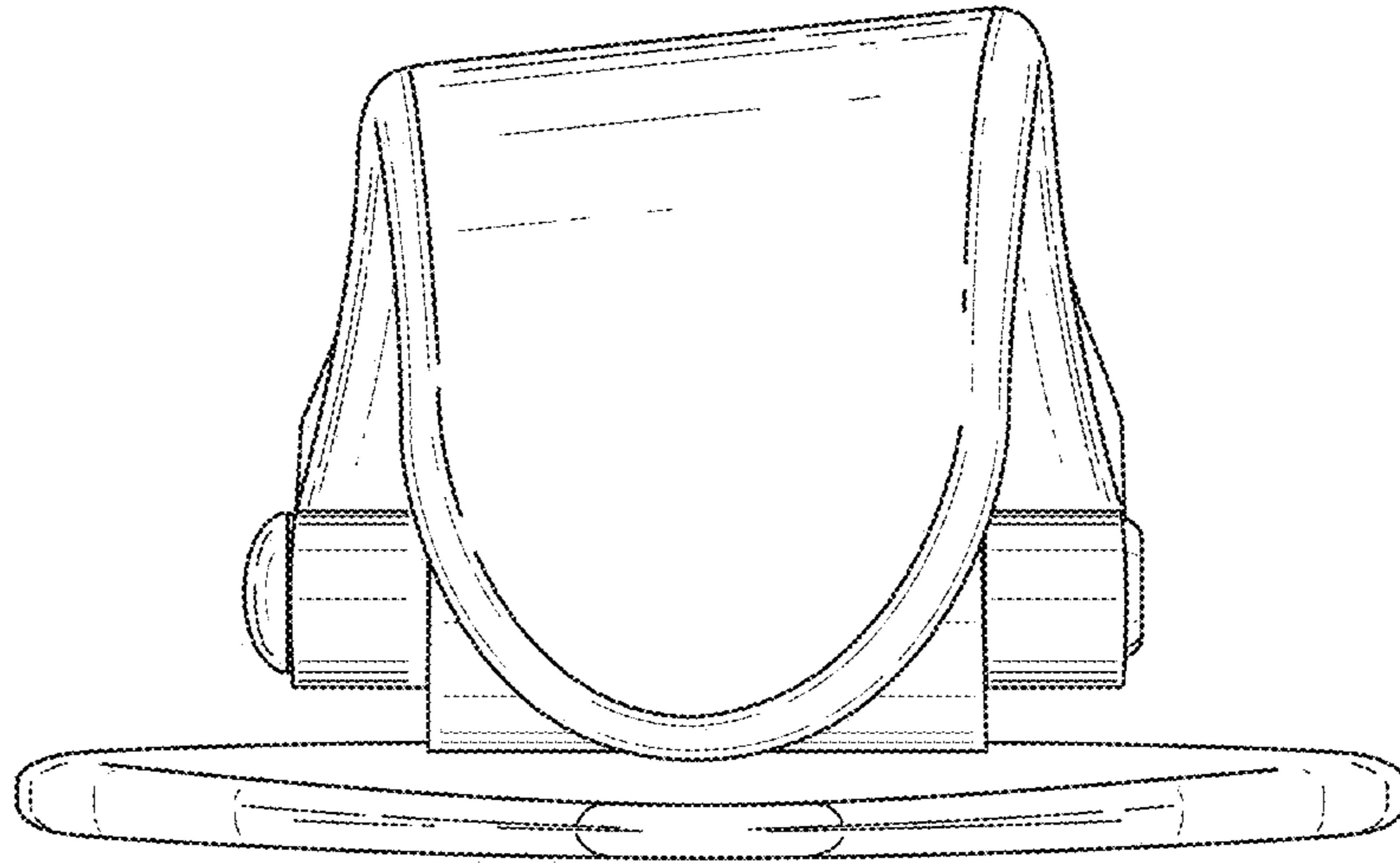


FIG. 2

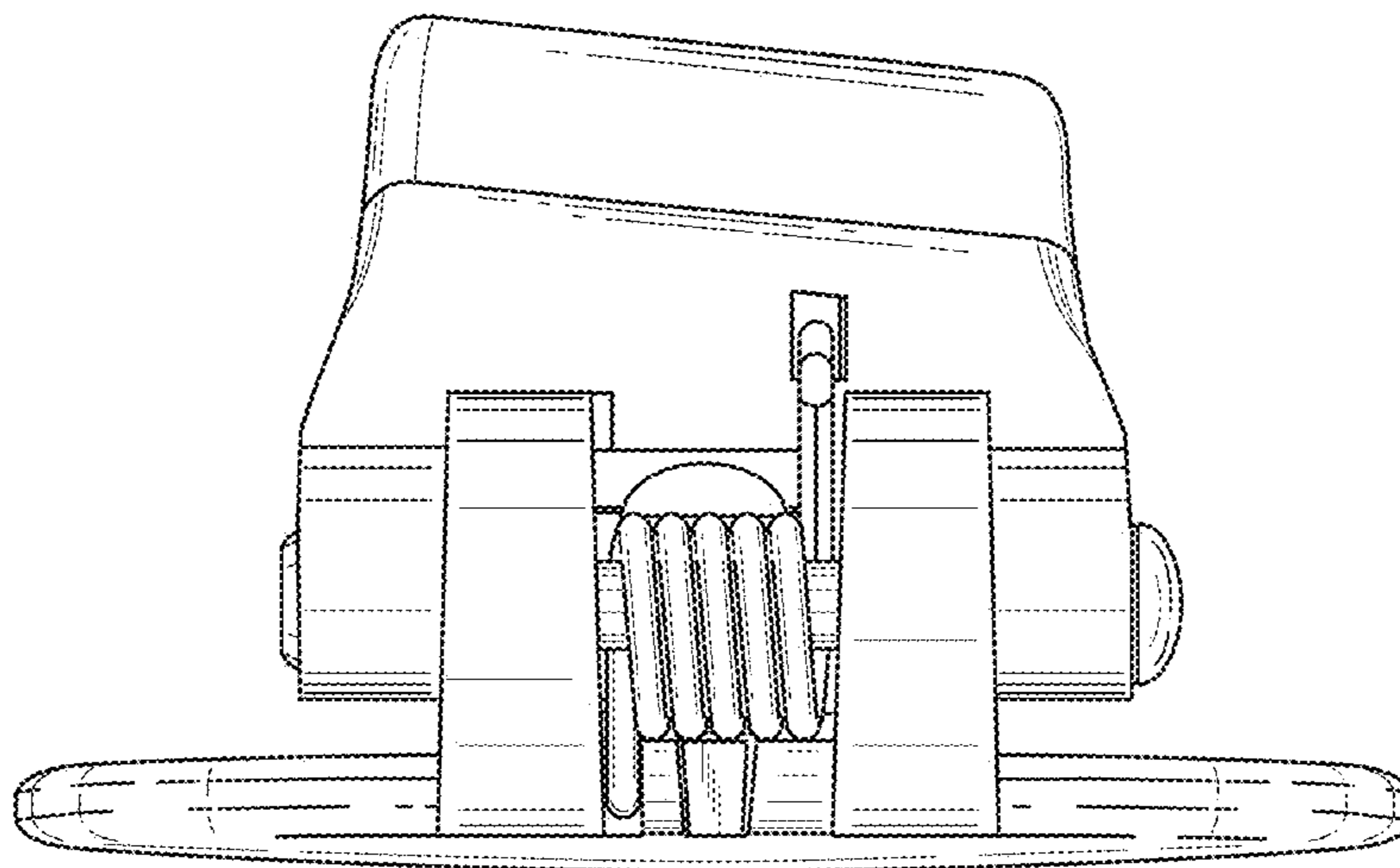


FIG. 3

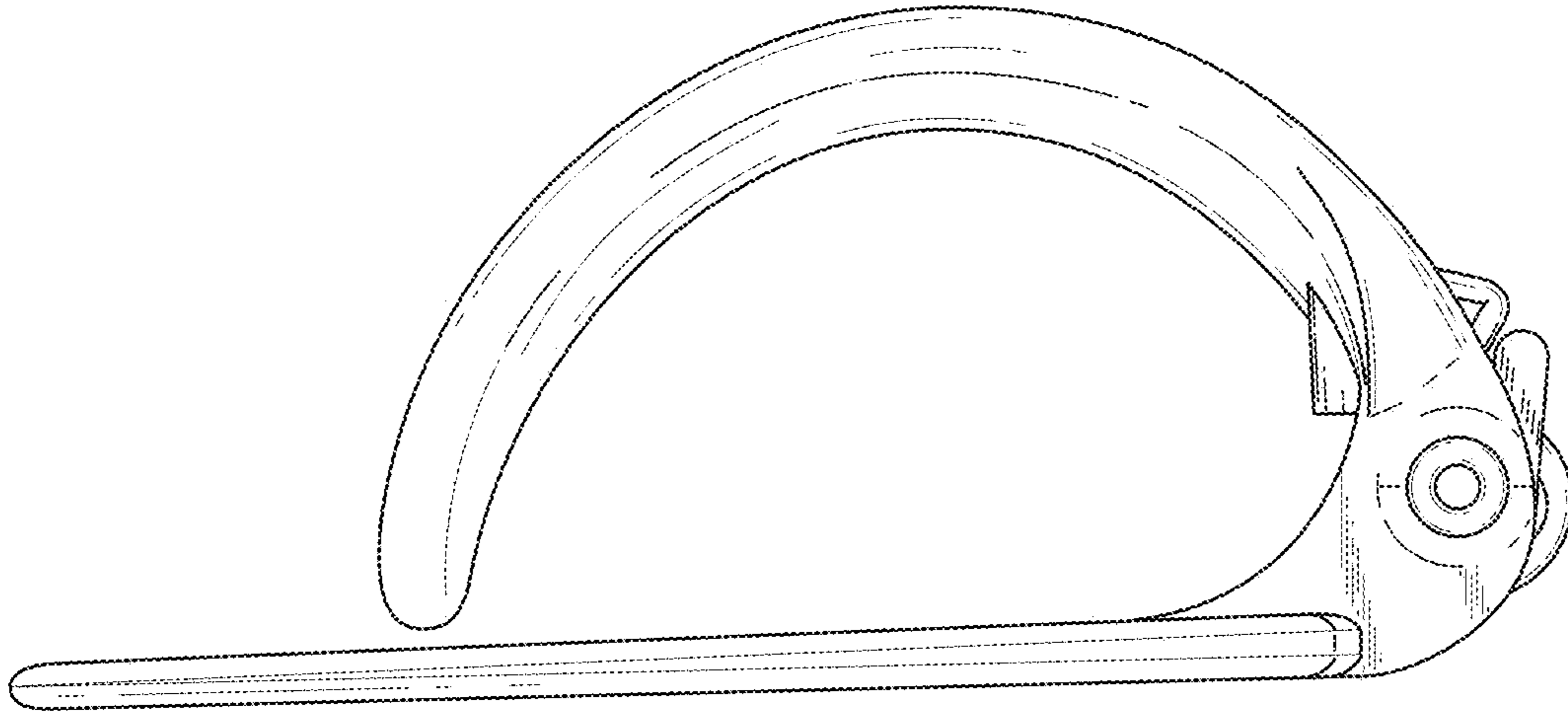


FIG. 4

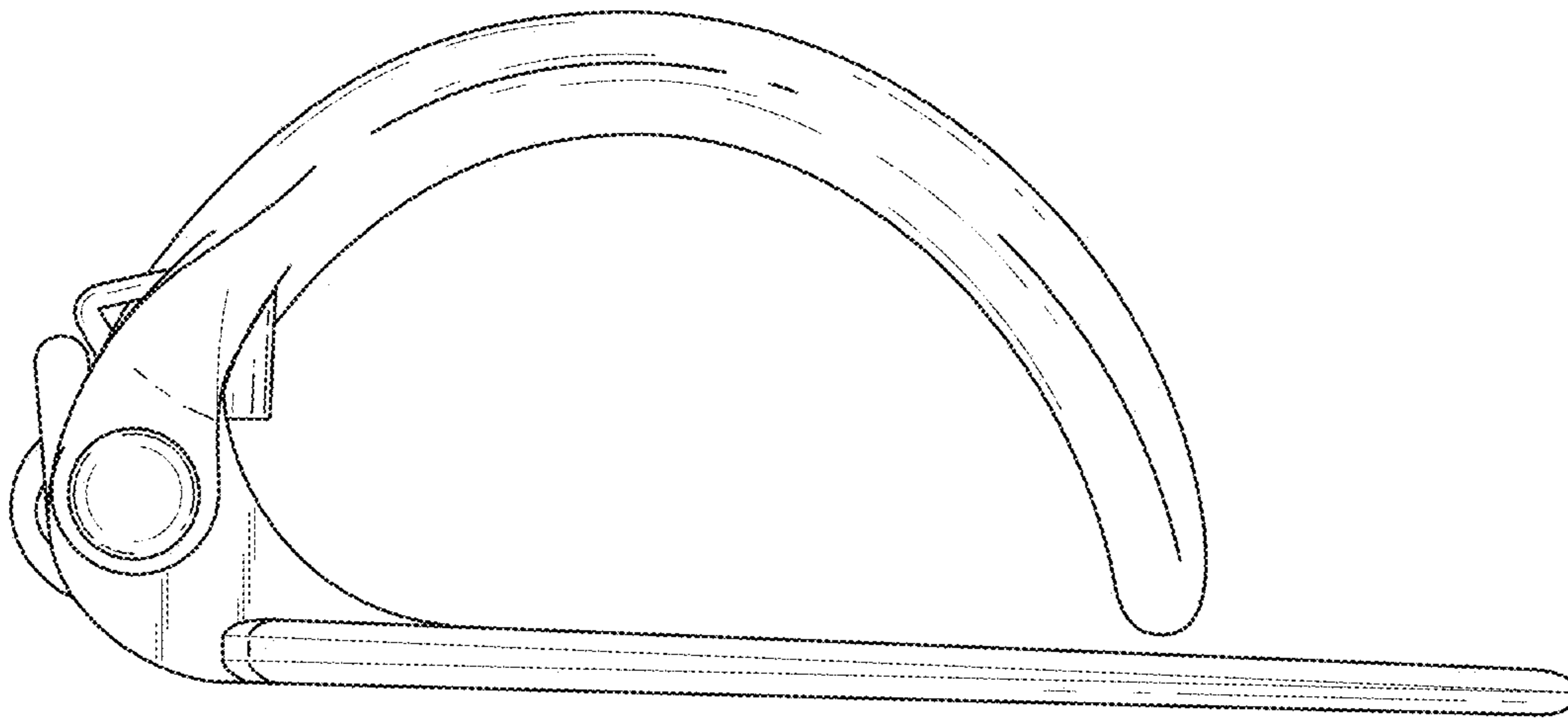


FIG. 5

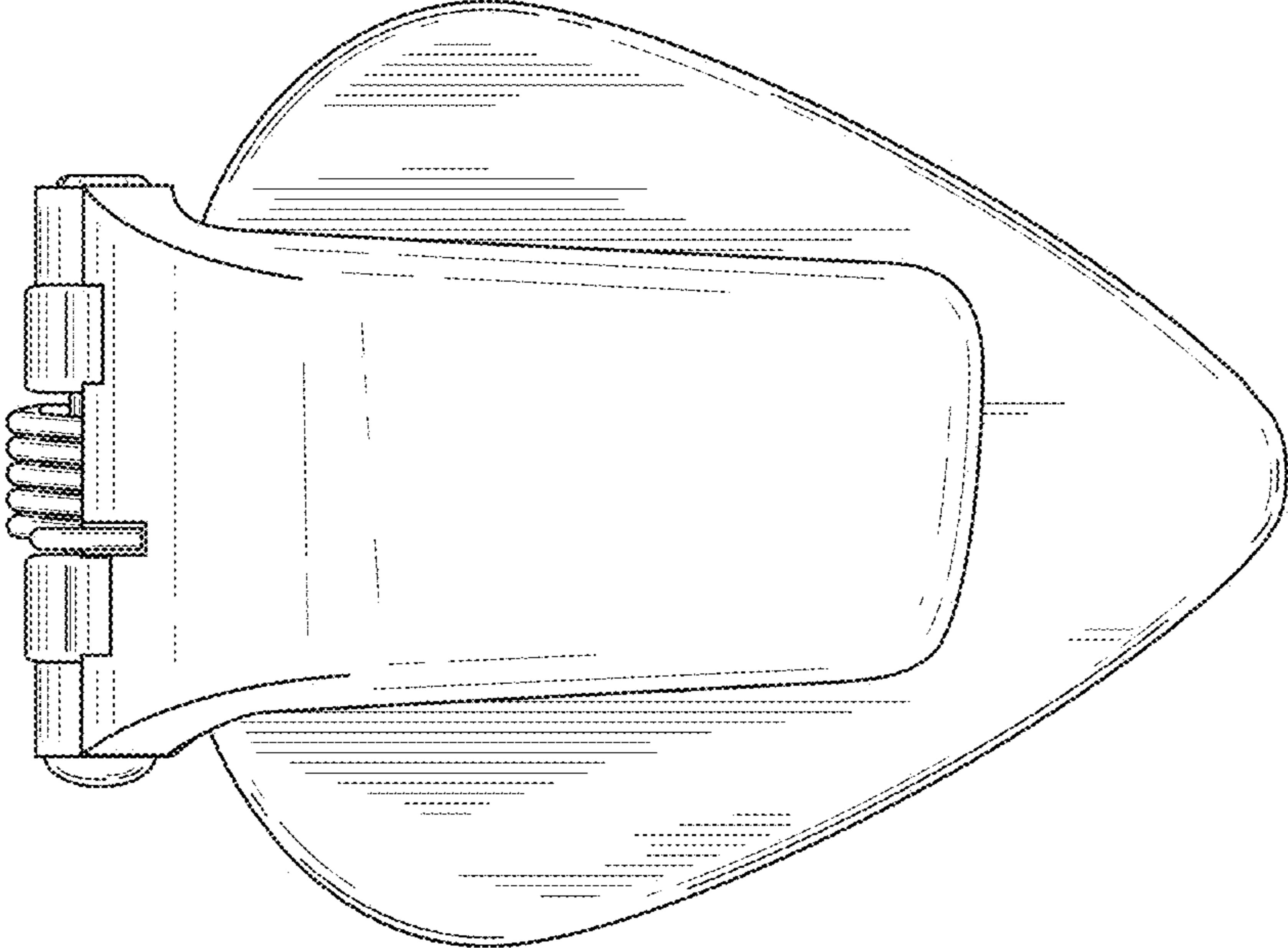


FIG. 6

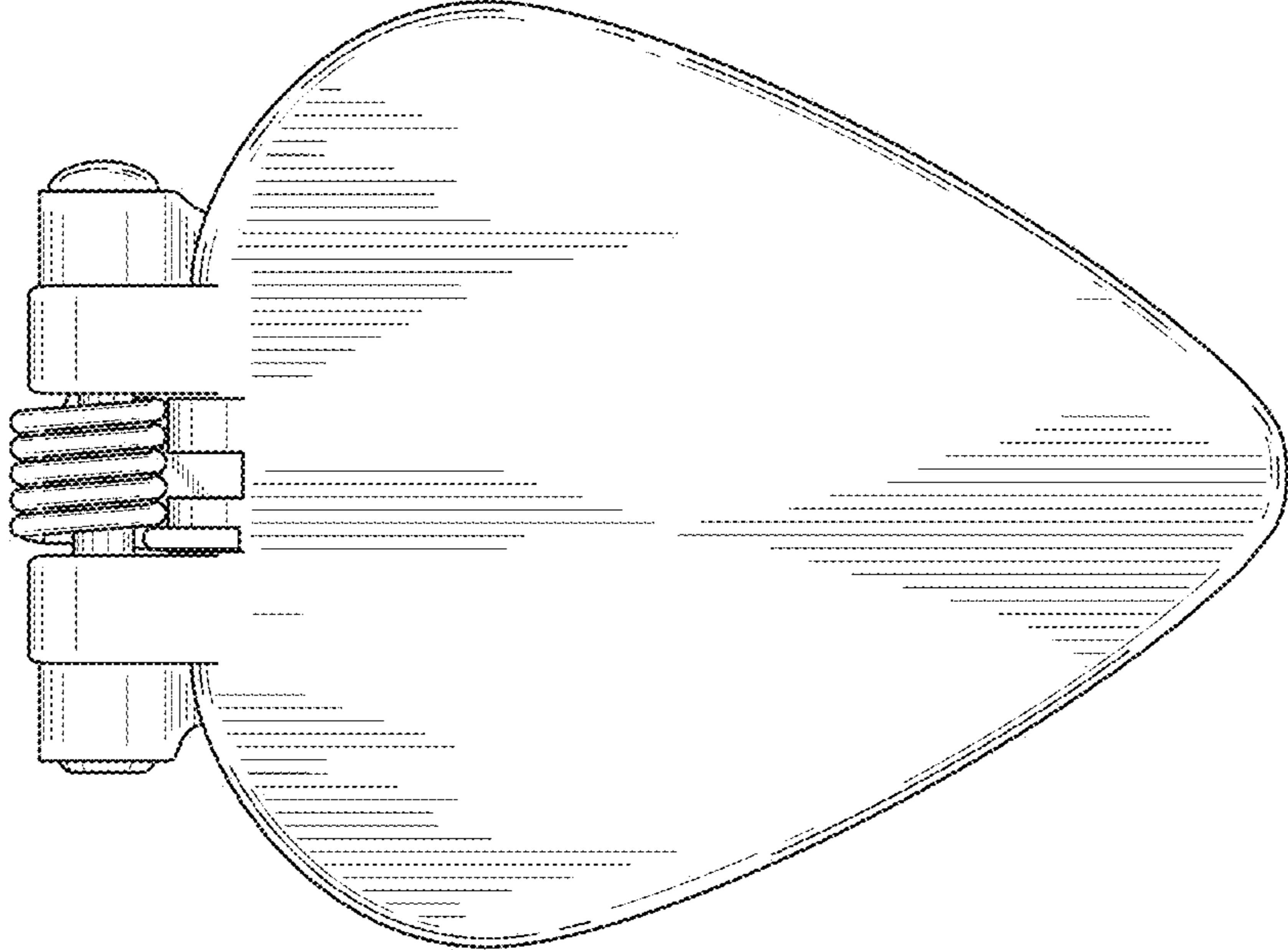


FIG. 7