



US00D877803S

(12) **United States Design Patent**  
**Abbassi**

(10) **Patent No.:** **US D877,803 S**

(45) **Date of Patent:** **\*\* Mar. 10, 2020**

(54) **EYEGLASS ACCESSORY**

(71) Applicant: **Amir S. Abbassi**, Atlanta, GA (US)

(72) Inventor: **Amir S. Abbassi**, Atlanta, GA (US)

(\*\*) Term: **15 Years**

(21) Appl. No.: **29/672,655**

(22) Filed: **Dec. 7, 2018**

(51) **LOC (12) Cl.** ..... **16-06**

(52) **U.S. Cl.**  
USPC ..... **D16/330**

(58) **Field of Classification Search**

USPC ..... D16/101, 300–342, 900; D29/109–110;  
D21/483, 659–661; D14/372; 351/41,  
351/44, 45–48, 51–52, 62, 158, 92,  
351/103–123, 140–153, 63, 59; 2/13, 15,  
2/426–432, 447–449, 441, 434–437  
CPC ..... G02C 2200/08; G02C 1/06; G02C 5/14;  
G02C 11/02; G02C 11/04; G02C 5/16;  
G02C 2200/22; G02C 5/146; G02C  
5/2254; G02C 5/008; G01C 5/16; A61M  
2021/0044; A63B 33/002

See application file for complete search history.

(56) **References Cited**

**U.S. PATENT DOCUMENTS**

D384,968 S \* 10/1997 Scroy ..... D16/330  
9,470,905 B1 \* 10/2016 Alcaraz ..... G02C 5/143  
2006/0158604 A1 \* 7/2006 Kwan ..... G02C 9/00  
351/47  
2009/0273754 A1 \* 11/2009 Ridgeway ..... G02C 11/02  
351/52  
2014/0160421 A1 \* 6/2014 Kavana ..... G02C 11/00  
351/43  
2014/0320796 A1 \* 10/2014 Brodtkin ..... G02C 11/02  
351/52

**OTHER PUBLICATIONS**

Pogotec attachment, reviewed Nov. 24, 2017, [online], [site visited Dec. 31, 2019]. Available from Internet, URL: <https://pogotec.com/>

blogs/pov/attach-pogocam-to-your-favorite-glasses-with-pogoloop (Year: 2017).\*

\* cited by examiner

*Primary Examiner* — Michelle E. Wilson

*Assistant Examiner* — Sanjeev Paul

(74) *Attorney, Agent, or Firm* — Amster, Rothstein & Ebenstein LLP

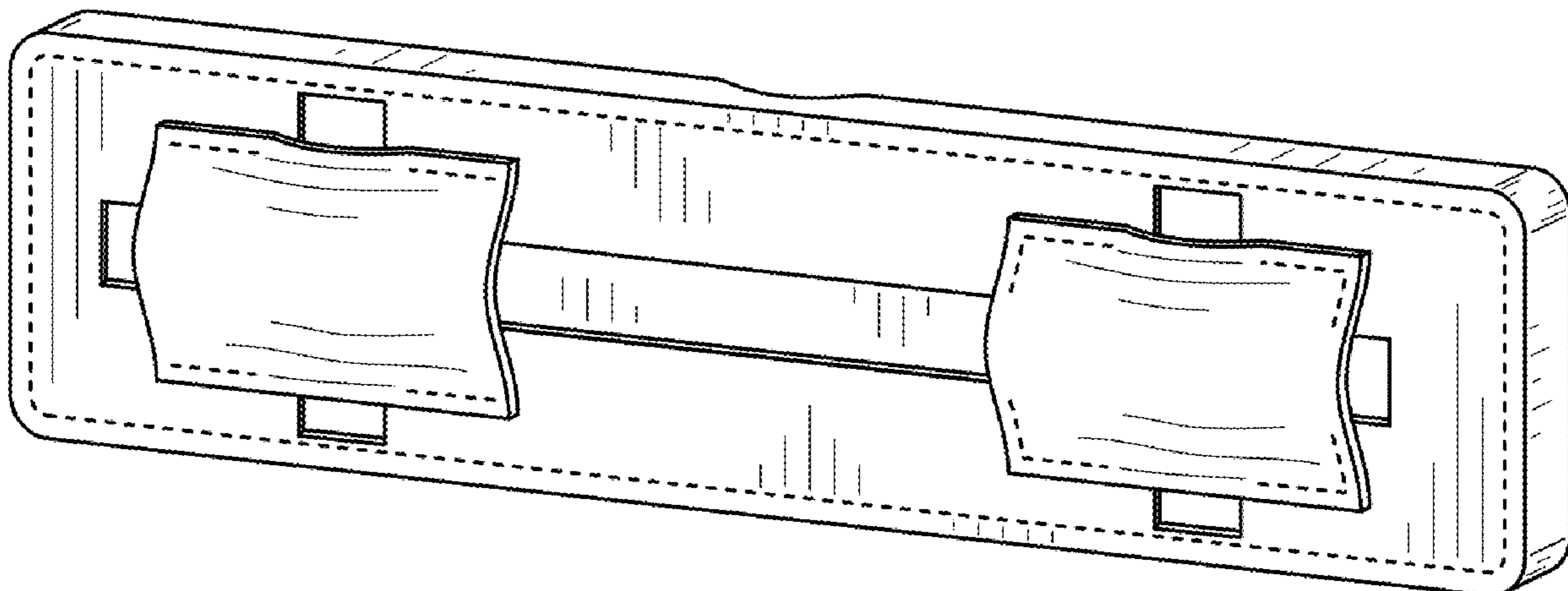
(57) **CLAIM**

The ornamental design for an eyeglass accessory, as shown and described.

**DESCRIPTION**

FIG. 1 is a perspective view of an eyeglass accessory in an open position showing my new design; FIG. 2 is a front view thereof; FIG. 3 is a rear view thereof; FIG. 4 is a side view thereof; FIG. 5 is an opposite side view thereof; FIG. 6 is a top view thereof; FIG. 7 is a bottom view thereof; FIG. 8 is a perspective view of an eyeglass accessory in a closed position showing my new design; FIG. 9 is a front view thereof; FIG. 10 is a rear view thereof; FIG. 11 is an side view thereof; FIG. 12 is an opposite side view thereof; FIG. 13 is a top view thereof; FIG. 14 is a bottom view thereof; FIG. 15 is a perspective view of an eyeglass accessory in a closed position mounted on a pair of eyeglasses; and, FIG. 16 is another perspective view of an eyeglass accessory in a closed position mounted on a pair of eyeglasses. The broken lines illustrate stitching and environmental subject matter which form no part of the claimed design.

**1 Claim, 8 Drawing Sheets**



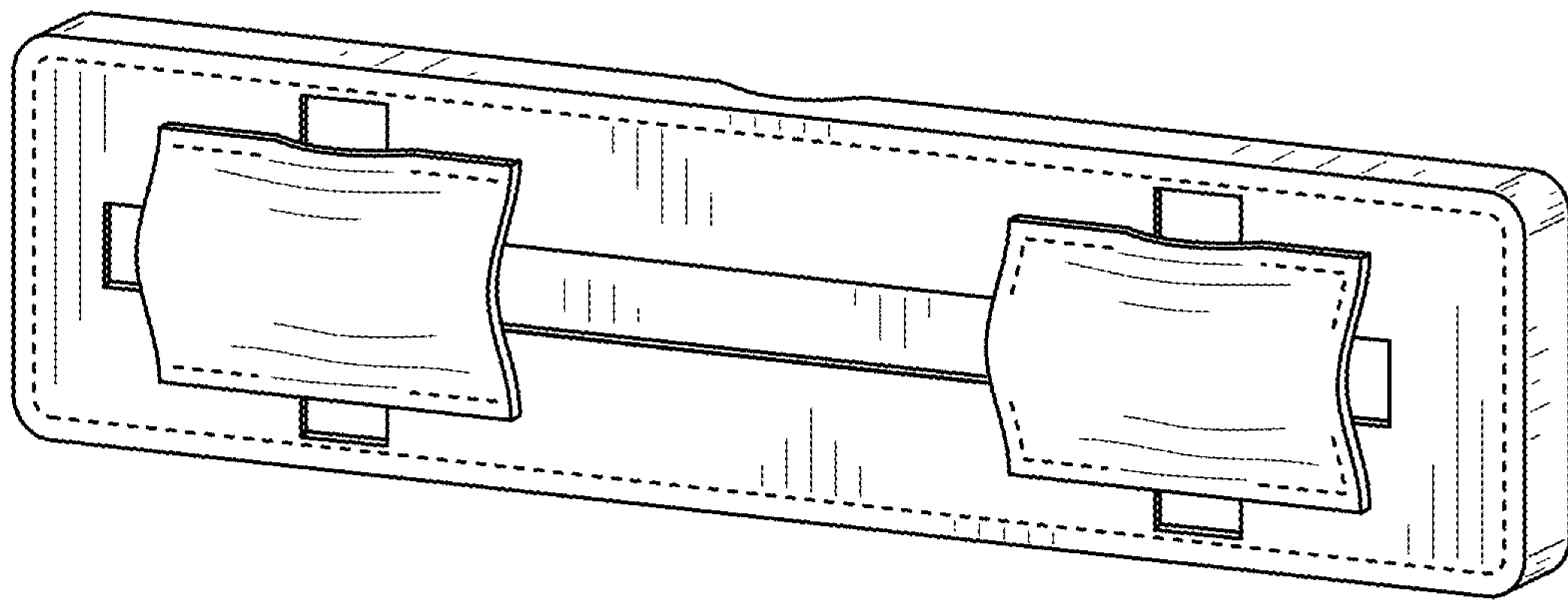


FIG. 1

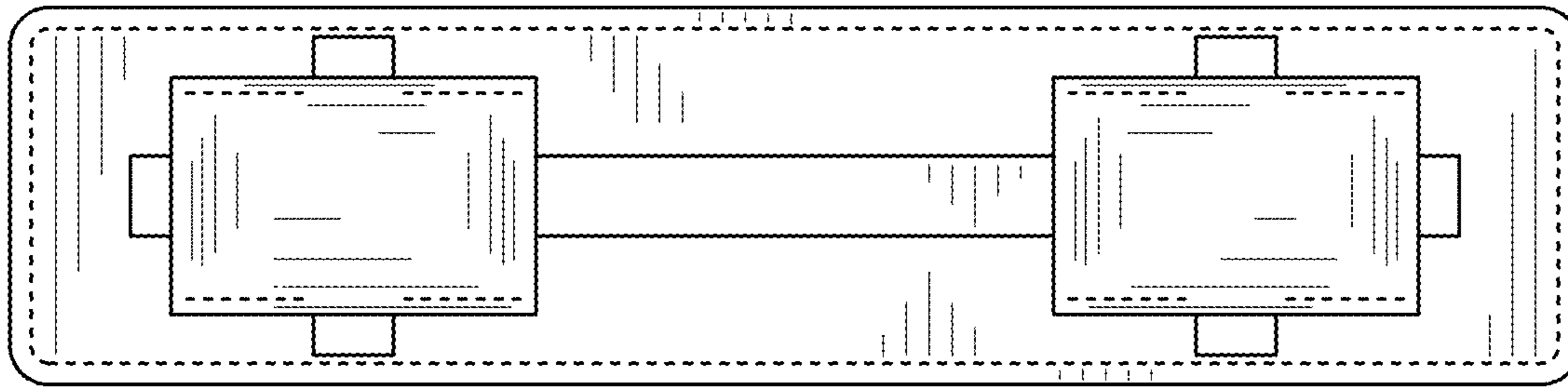


FIG. 2

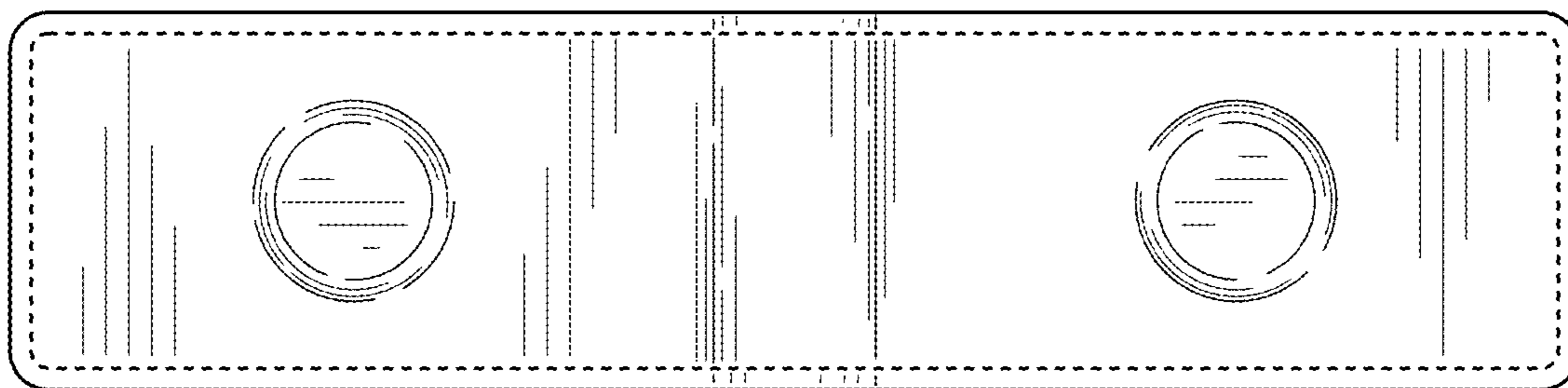


FIG. 3

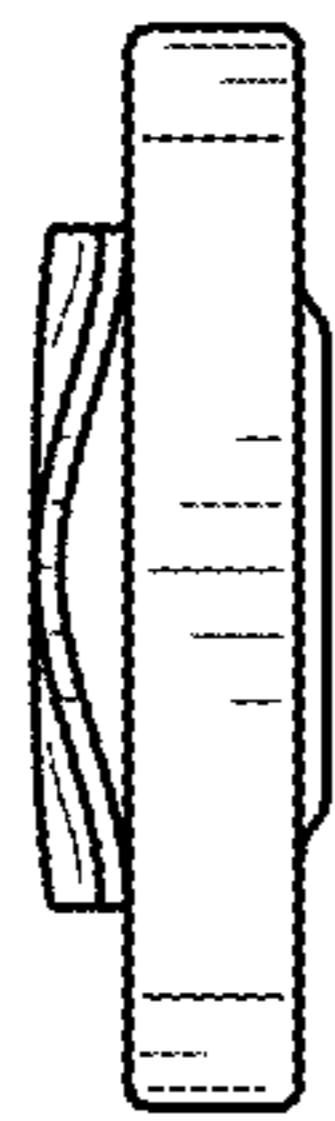


FIG. 4



FIG. 5



FIG. 6



FIG. 7

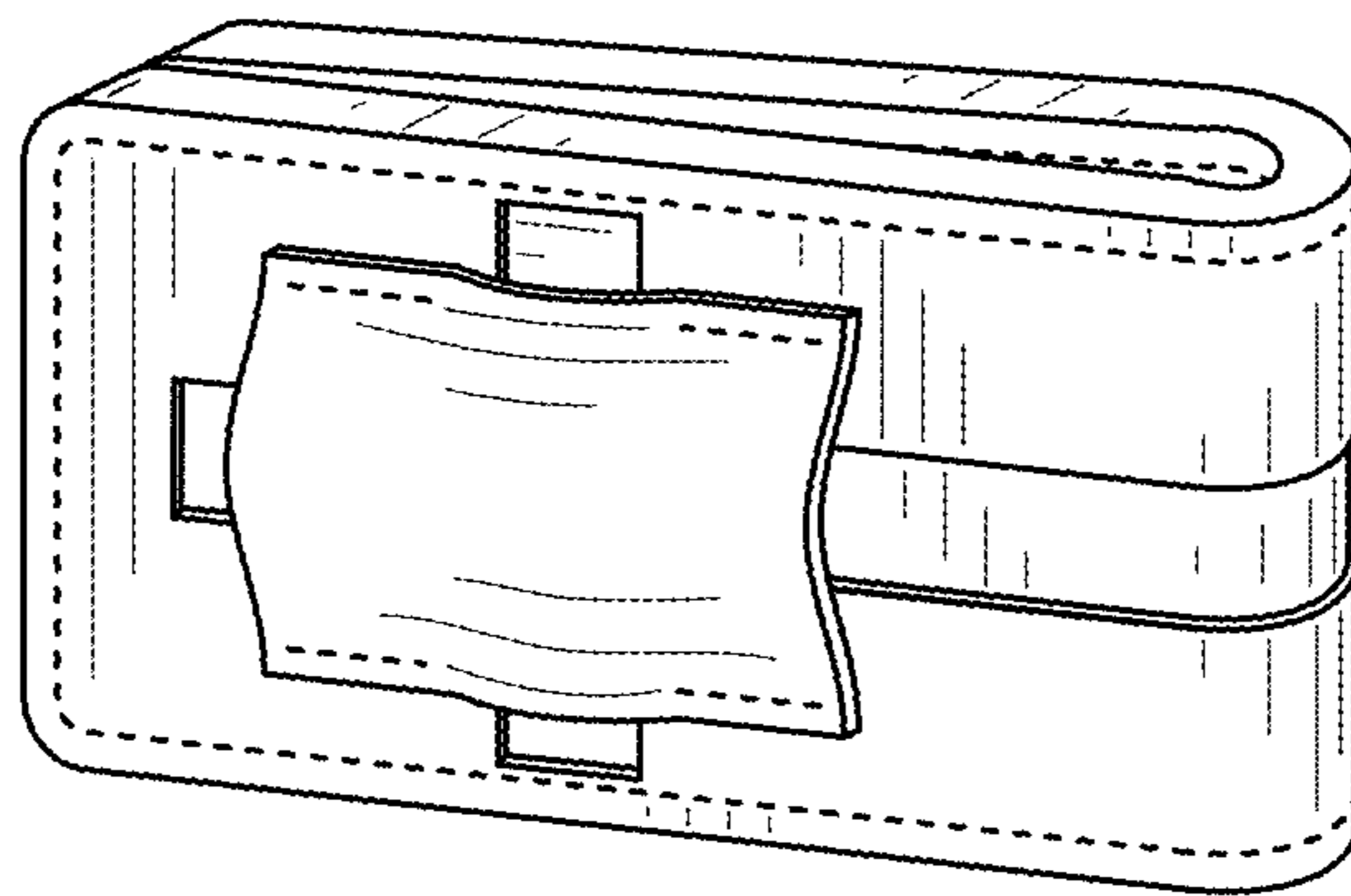


FIG. 8

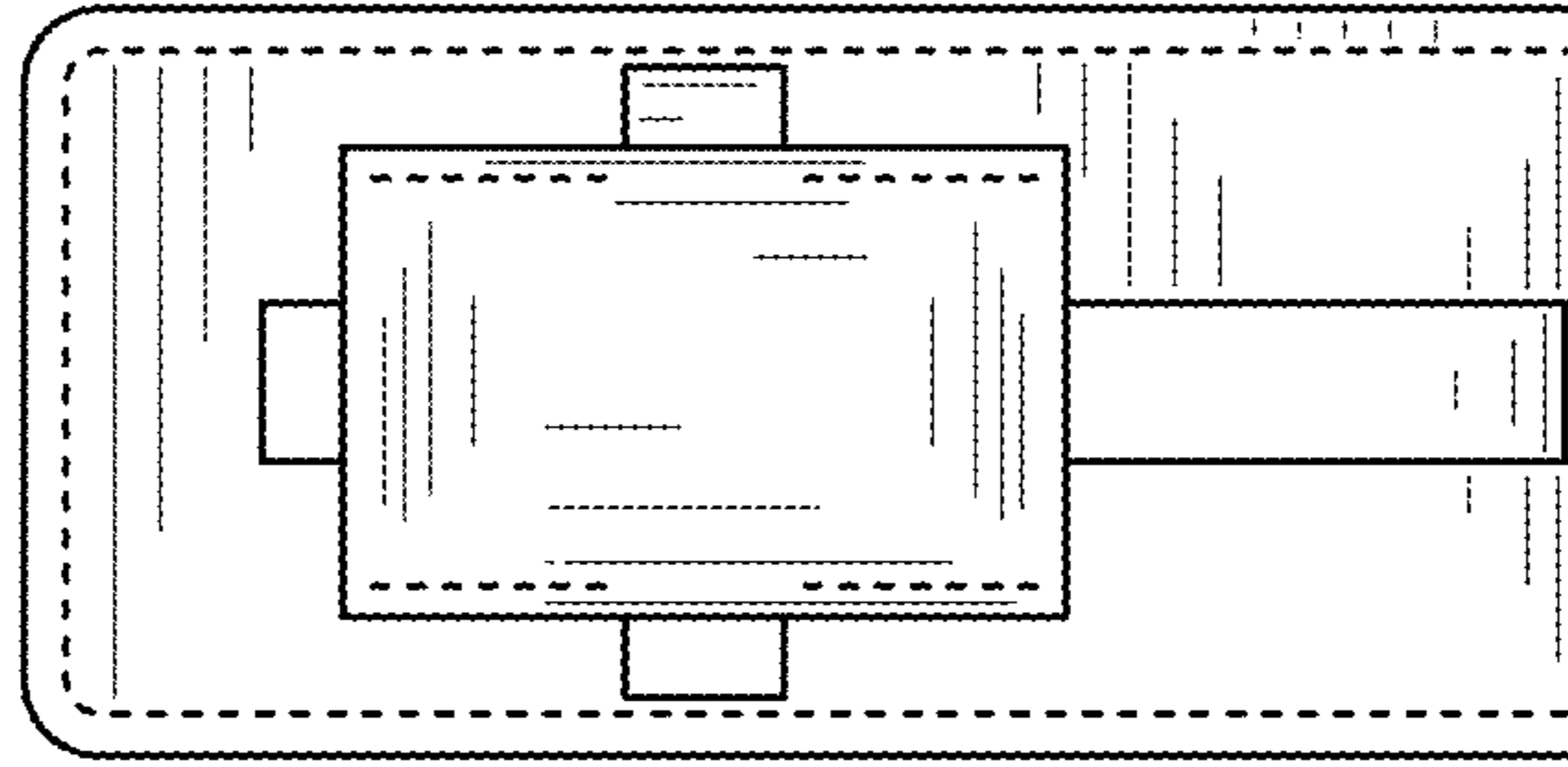


FIG. 9

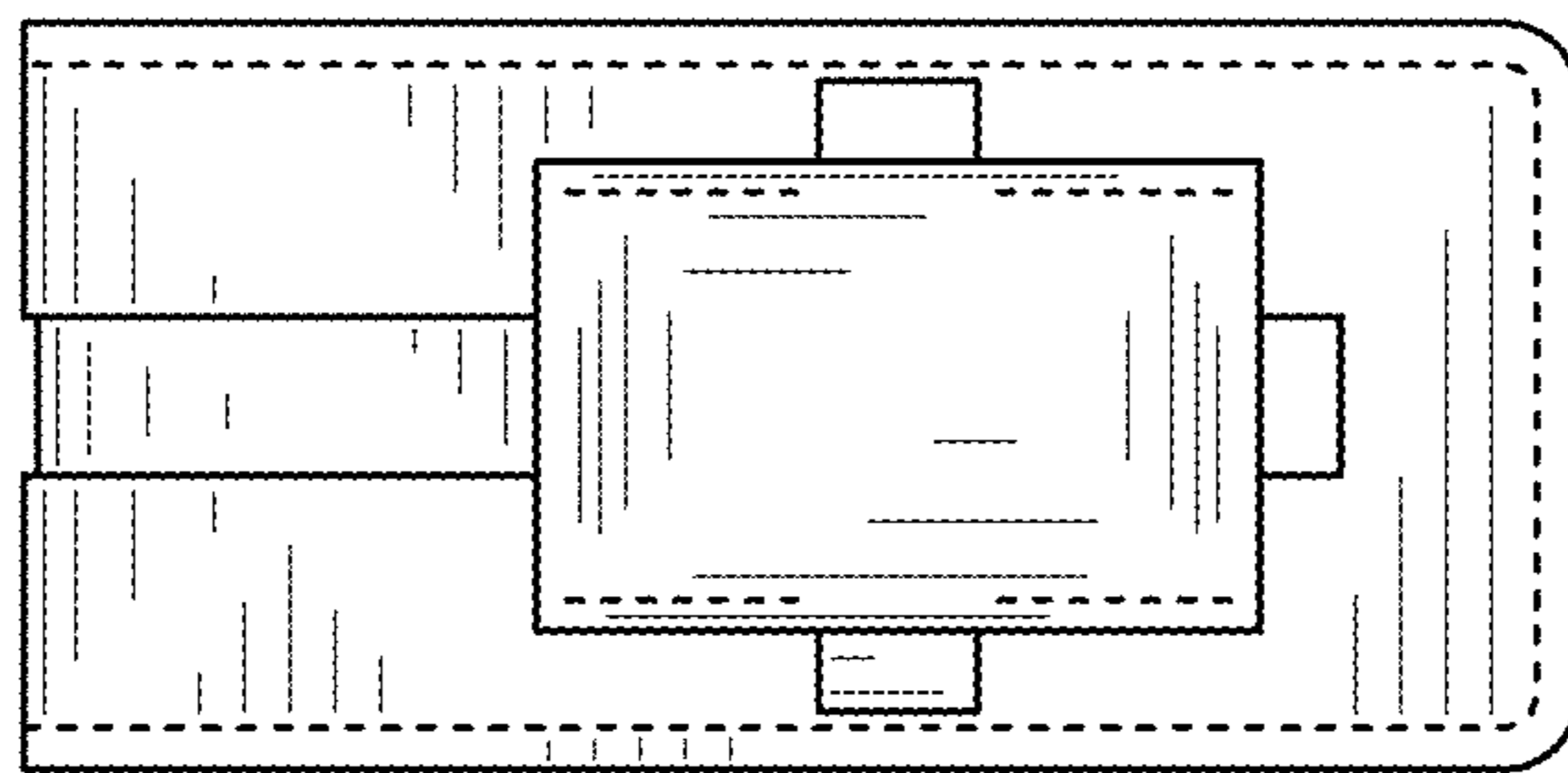


FIG. 10

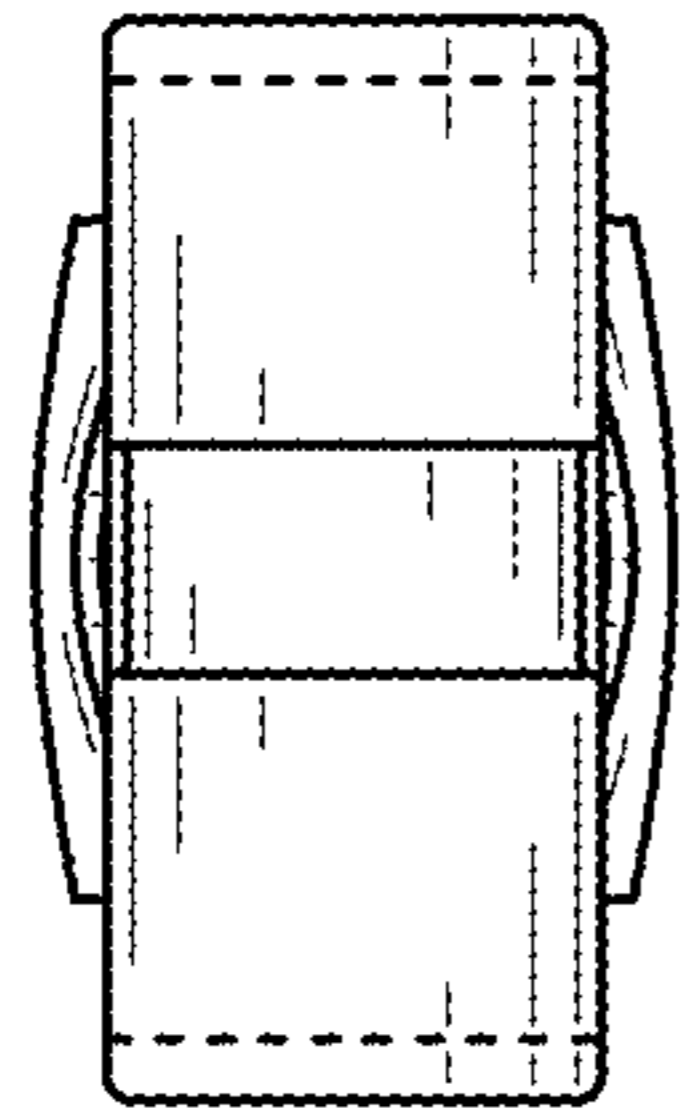


FIG. 11

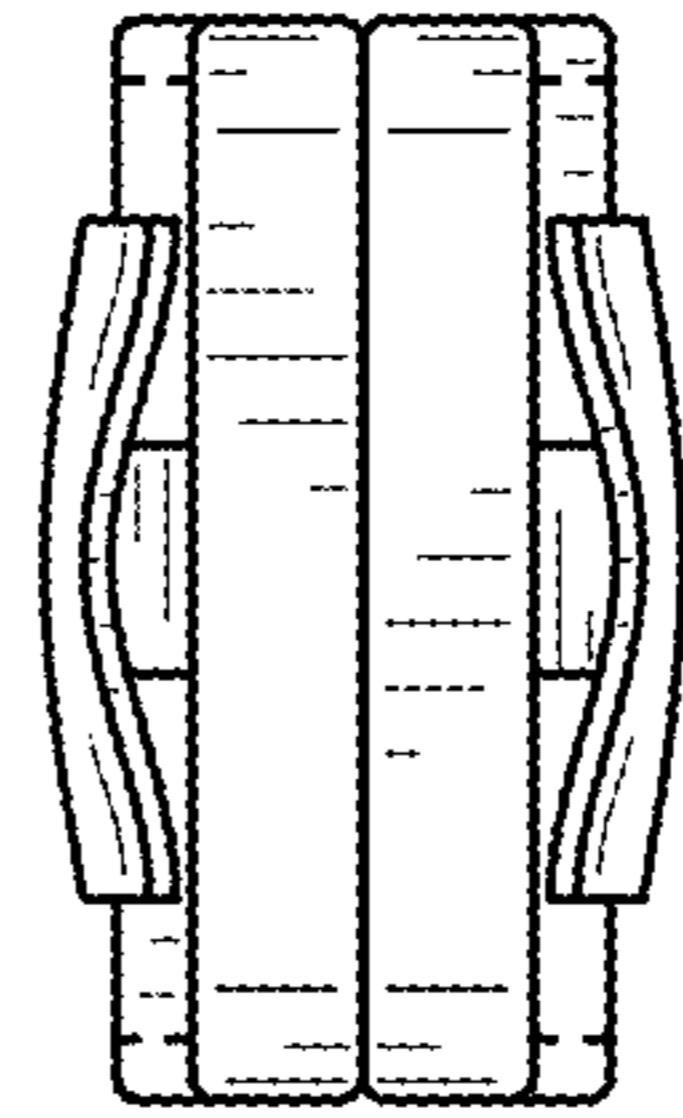


FIG. 12

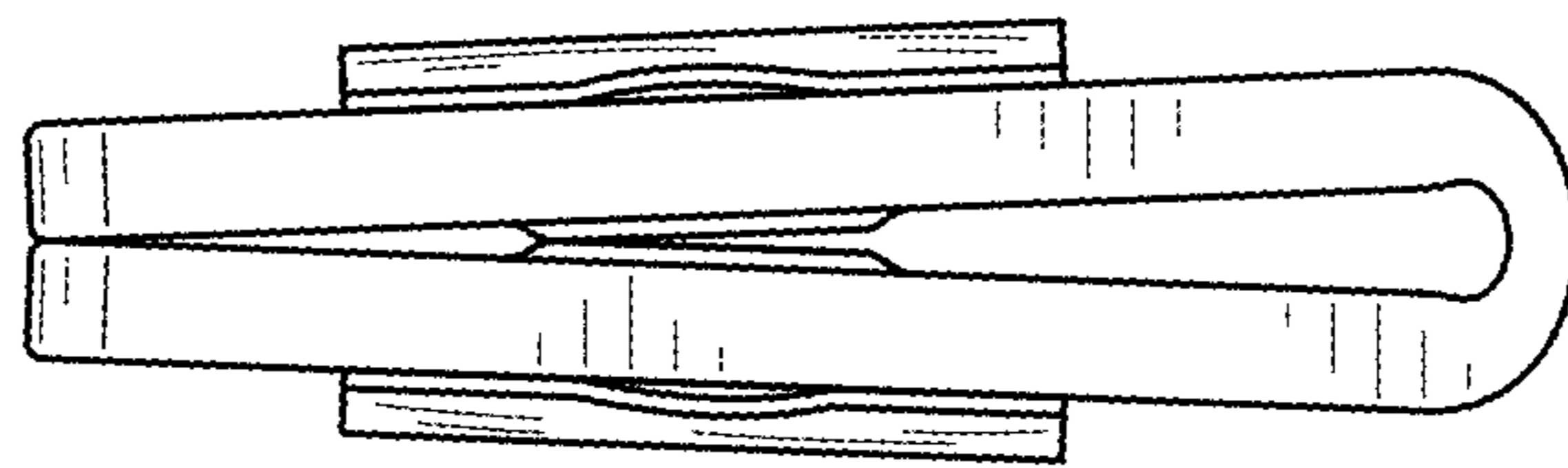


FIG. 13

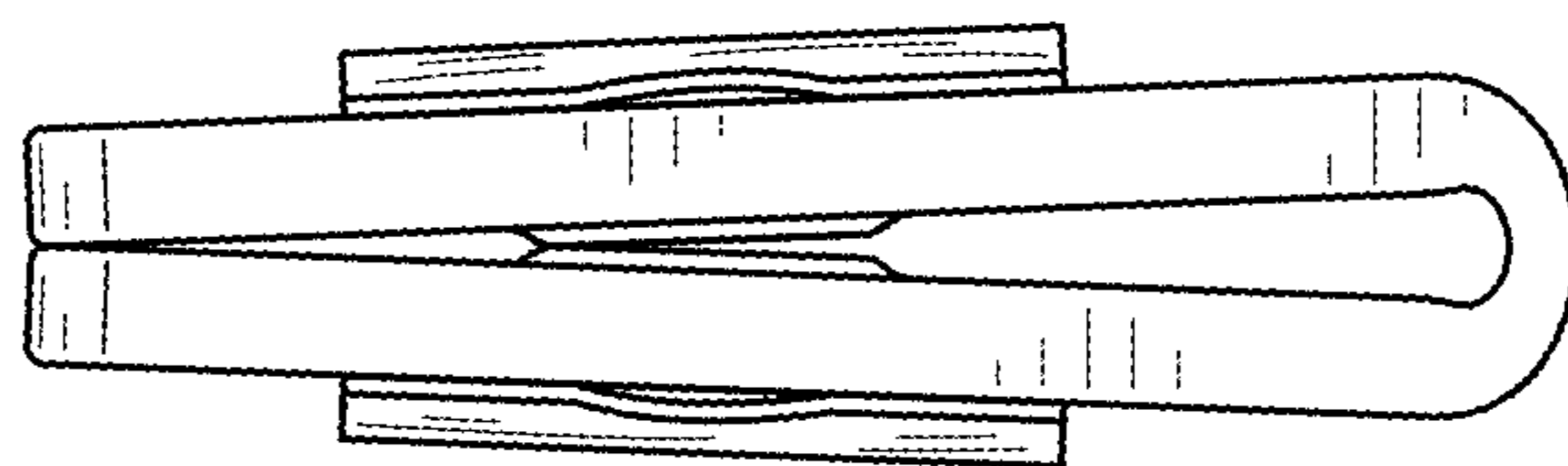


FIG. 14



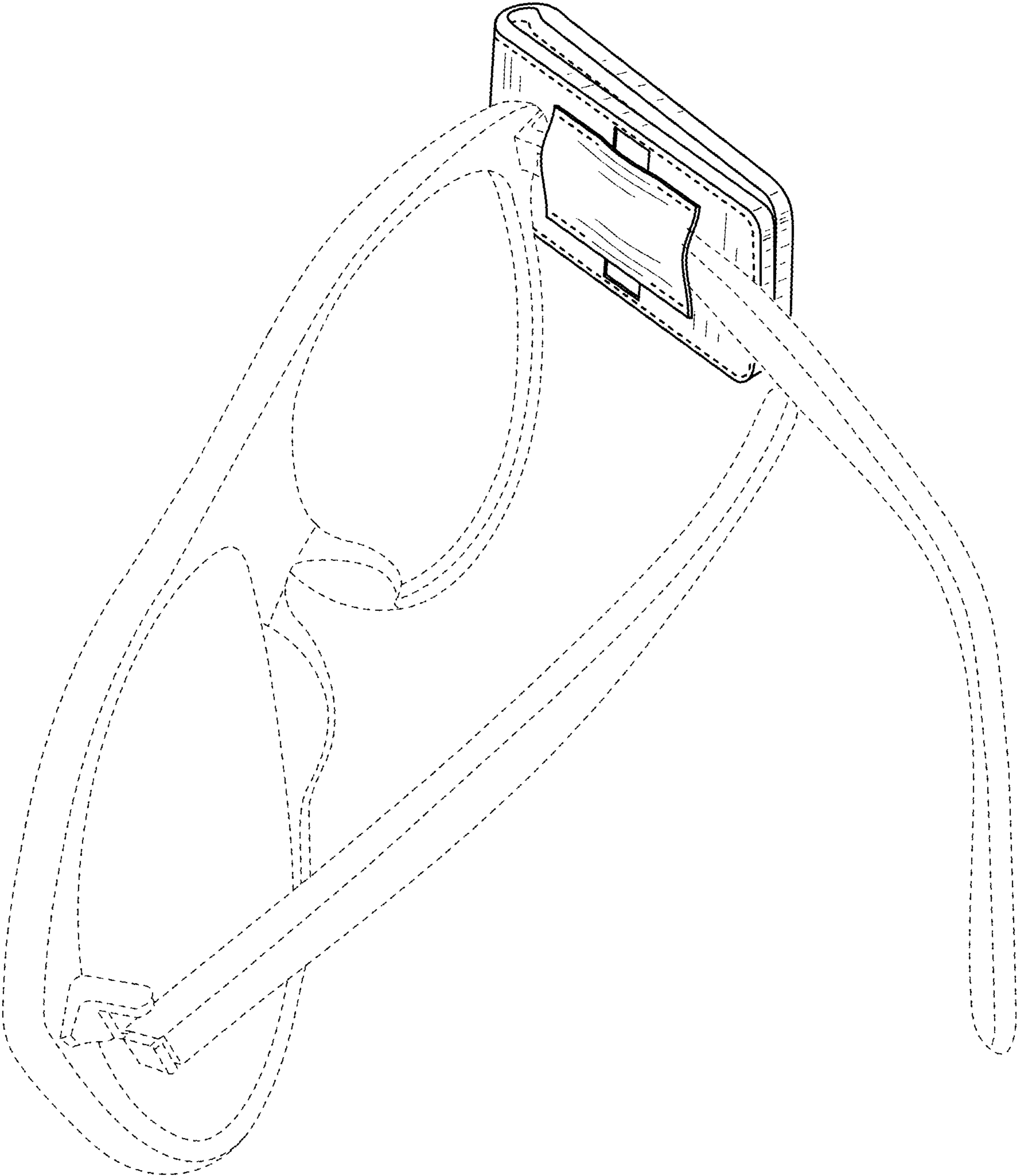


FIG. 15



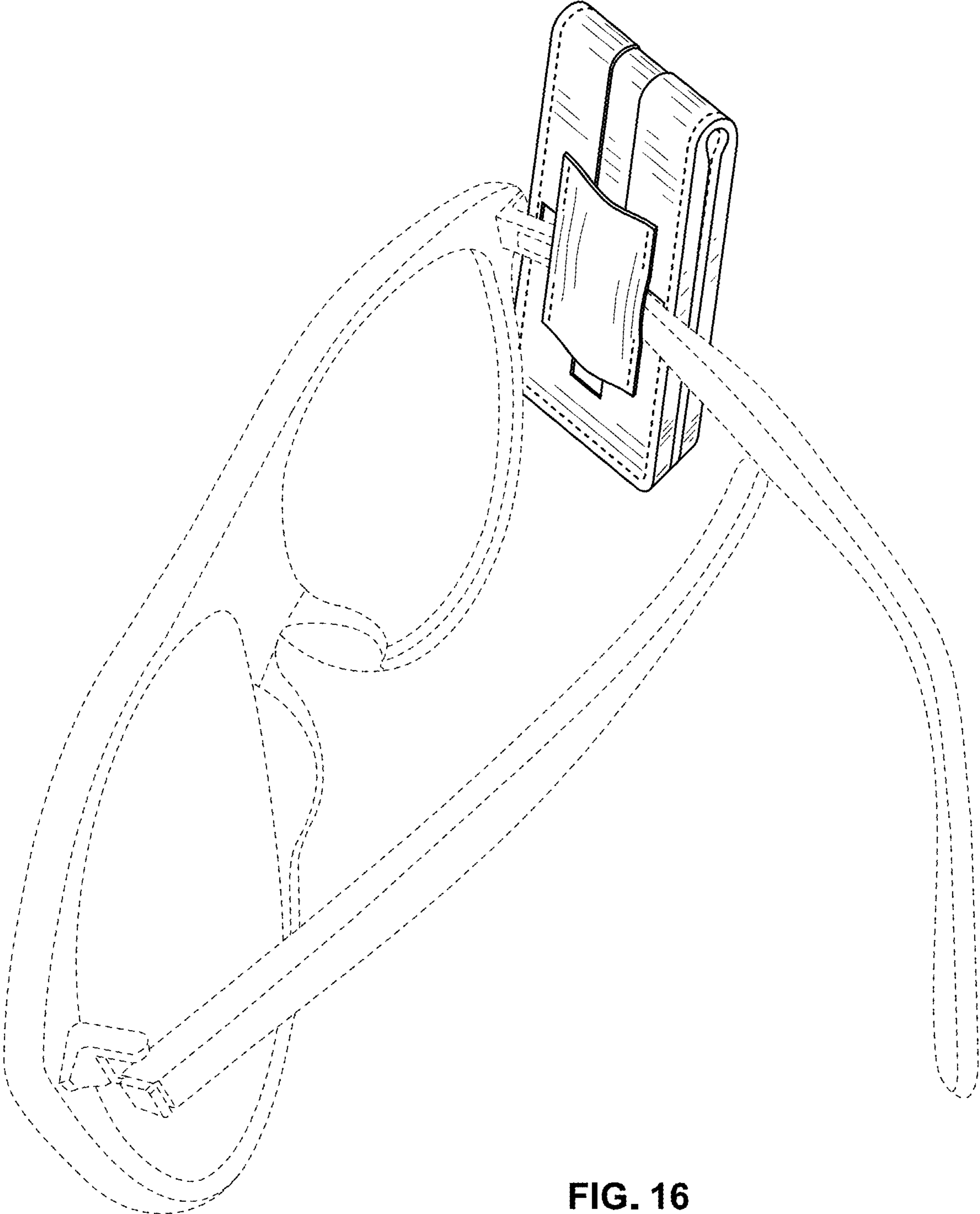


FIG. 16