



US00D877799S

(12) **United States Design Patent**
Tanaka et al.

(10) **Patent No.:** **US D877,799 S**
(45) **Date of Patent:** **** Mar. 10, 2020**

(54) **PROJECTOR**

(71) Applicant: **FUJIFILM Corporation**, Tokyo (JP)

(72) Inventors: **Kunihiko Tanaka**, Saitama (JP); **Koji Yoshida**, Saitama (JP)

(73) Assignee: **FUJIFILM Corporation**, Tokyo (JP)

(**) Term: **15 Years**

(21) Appl. No.: **29/675,010**

(22) Filed: **Dec. 27, 2018**

(30) **Foreign Application Priority Data**

Jul. 13, 2018 (JP) 2018-015530
Jul. 13, 2018 (JP) 2018-015531

(51) **LOC (12) Cl.** **16-02**

(52) **U.S. Cl.**
USPC **D16/235**

(58) **Field of Classification Search**
USPC D16/221, 225, 229-231, 234-235, 217,
D16/219; D21/514; 353/101, 119, 122
(Continued)

(56) **References Cited**

U.S. PATENT DOCUMENTS

D849,121 S * 5/2019 Ito D16/235
D867,431 S * 11/2019 Yoshida D16/235

FOREIGN PATENT DOCUMENTS

JP 1611951 S 11/2018
JP 1613727 S 11/2018
JP 1618897 S 11/2018

OTHER PUBLICATIONS

A Notification issued by the Japan Patent Office dated Jan. 31, 2019, which corresponds to Japanese Design Application No. 2018-015530 and is related to Design U.S. Appl. No. 29/675,010.

(Continued)

Primary Examiner — Wan Laymon

(74) *Attorney, Agent, or Firm* — Studebaker & Brackett PC

(57) **CLAIM**

The ornamental design for a projector, as shown and described.

DESCRIPTION

FIG. 1 is a top left perspective view of a projector showing a first embodiment of our new design;
FIG. 2 is a front view thereof;
FIG. 3 is a rear view thereof;
FIG. 4 is a top plan view thereof;
FIG. 5 is a bottom plan view thereof;
FIG. 6 is a right side view thereof;
FIG. 7 is a left side view thereof;
FIG. 8 is a top left perspective view of the projector showing the first embodiment, with a lens directed to a first direction;
FIG. 9 is a front view thereof;
FIG. 10 is a rear view thereof;
FIG. 11 is a top plan view thereof;
FIG. 12 is a bottom plan view thereof;
FIG. 13 is a right side view thereof;
FIG. 14 is a left side view thereof;
FIG. 15 is a top left perspective view of the projector showing the first embodiment, with the lens directed to a second direction;
FIG. 16 is a top left perspective view of the projector showing the first embodiment, with the lens directed to a third direction;
FIG. 17 is a top left perspective view of the projector showing the first embodiment, with the lens directed to a fourth direction;
FIG. 18 is a top left perspective view of the projector showing the first embodiment, with the lens directed to a fifth direction;
FIG. 19 is a top left perspective view of the projector showing the first embodiment, with the lens directed to a sixth direction;

(Continued)

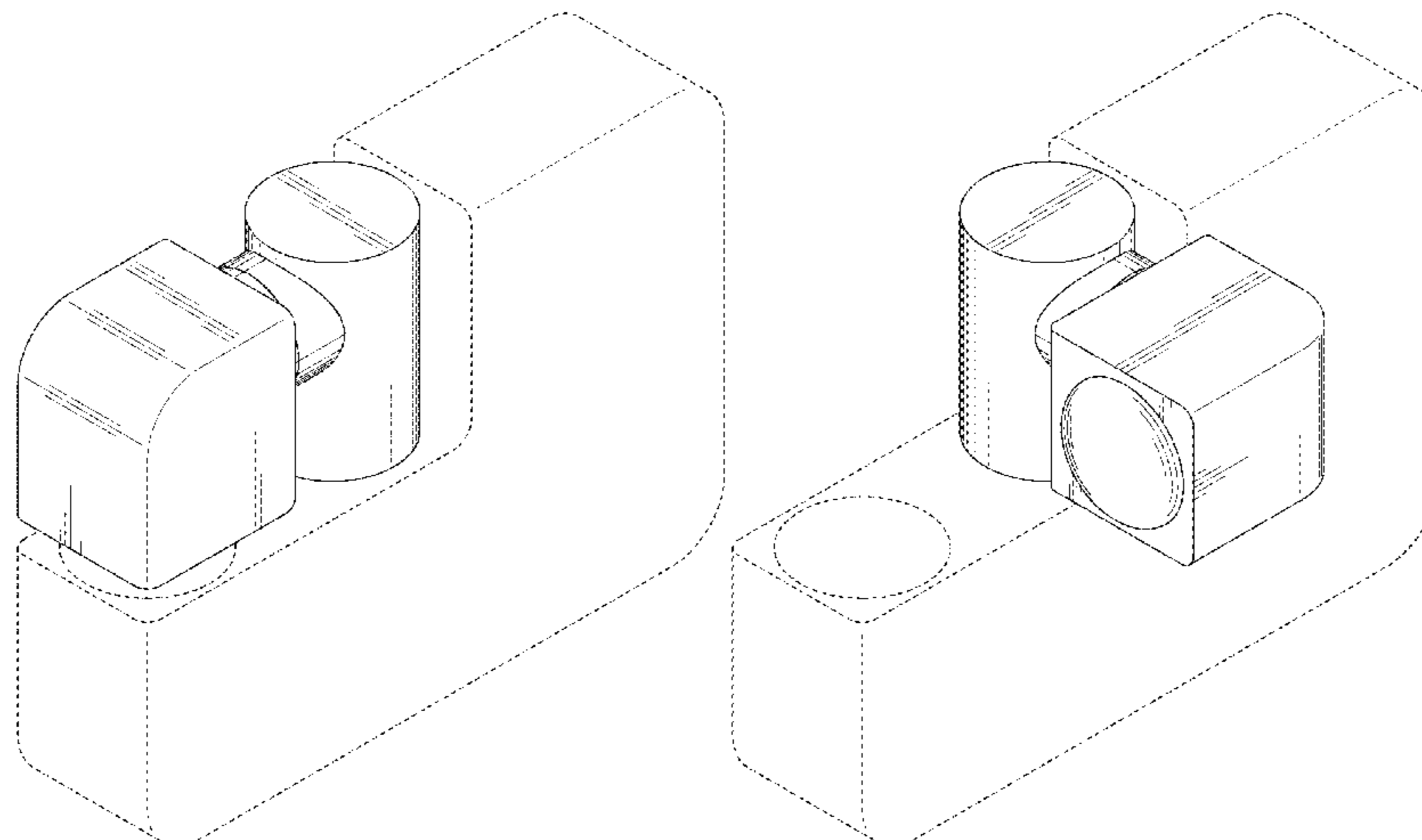


FIG. 20 is a top left perspective view of the projector showing the first embodiment, with the lens directed to a seventh direction;

FIG. 21 is a top left perspective view of the projector showing the first embodiment, with the lens directed to an eighth direction;

FIG. 22 is a top left perspective view of the projector showing the first embodiment, with the lens directed to a ninth direction;

FIG. 23 is a top left perspective view of the projector showing the first embodiment, with the lens directed to a tenth direction;

FIG. 24 is a top left perspective view of the projector showing the first embodiment, with the lens directed to an eleventh direction;

FIG. 25 is a top left perspective view of a projector showing a second embodiment of our new design;

FIG. 26 is a front view thereof;

FIG. 27 is a rear view thereof;

FIG. 28 is a top plan view thereof;

FIG. 29 is a bottom plan view thereof;

FIG. 30 is a right side view thereof;

FIG. 31 is a left side view thereof;

FIG. 32 is a top left perspective view of the projector showing the second embodiment, with a lens directed to a first direction;

FIG. 33 is a front view thereof;

FIG. 34 is a rear view thereof;

FIG. 35 is a top plan view thereof;

FIG. 36 is a bottom plan view thereof;

FIG. 37 is a right side view thereof;

FIG. 38 is a left side view thereof;

FIG. 39 is a top left perspective view of the projector showing the second embodiment, with the lens directed to a second direction;

FIG. 40 is a top left perspective view of the projector showing the second embodiment, with the lens directed to a third direction;

FIG. 41 is a top left perspective view of the projector showing the second embodiment, with the lens directed to a fourth direction;

FIG. 42 is a top left perspective view of the projector showing the second embodiment, with the lens directed to a fifth direction;

FIG. 43 is a top left perspective view of the projector showing the second embodiment, with the lens directed to a sixth direction;

FIG. 44 is a top left perspective view of the projector showing the second embodiment, with the lens directed to a seventh direction;

FIG. 45 is a top left perspective view of the projector showing the second embodiment, with the lens directed to an eighth direction;

FIG. 46 is a top left perspective view of the projector showing the second embodiment, with the lens directed to a ninth direction;

FIG. 47 is a top left perspective view of the projector showing the second embodiment, with the lens directed to a tenth direction; and,

FIG. 48 is a top left perspective view of the projector showing the second embodiment, with the lens directed to an eleventh direction.

The broken lines illustrate portions of the projector and form no part of the claimed design.

The design of a lens of the projector as the lens transitions from any one of the first to the eleventh positions to another of the first to the eleventh positions forms no part of the claimed design.

1 Claim, 44 Drawing Sheets

(58) **Field of Classification Search**

CPC G03B 3/02; G03B 21/00; G03B 21/001;
G03B 21/003; G03B 21/12; G03B 21/14;
G03B 21/142; G03B 21/145; G03B
21/54; G03B 21/16; G02B 13/0025

See application file for complete search history.

(56) **References Cited**

OTHER PUBLICATIONS

A Notification issued by the Japan Patent Office dated Jan. 31, 2019, which corresponds to Japanese Design Application No. 2018-015531 and is related to Design U.S. Appl. No. 29/675,010.

* cited by examiner

FIG. 1

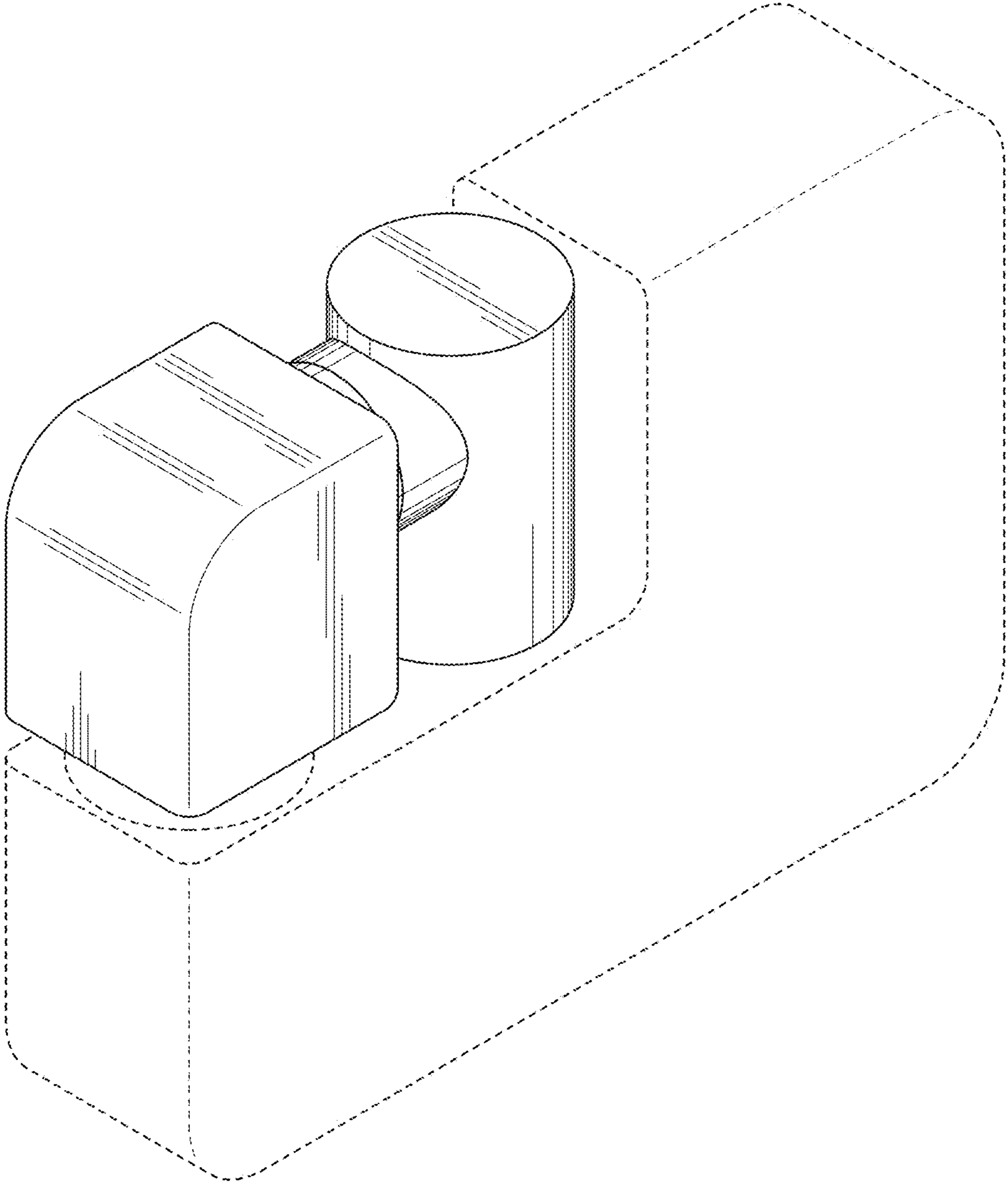


FIG. 2

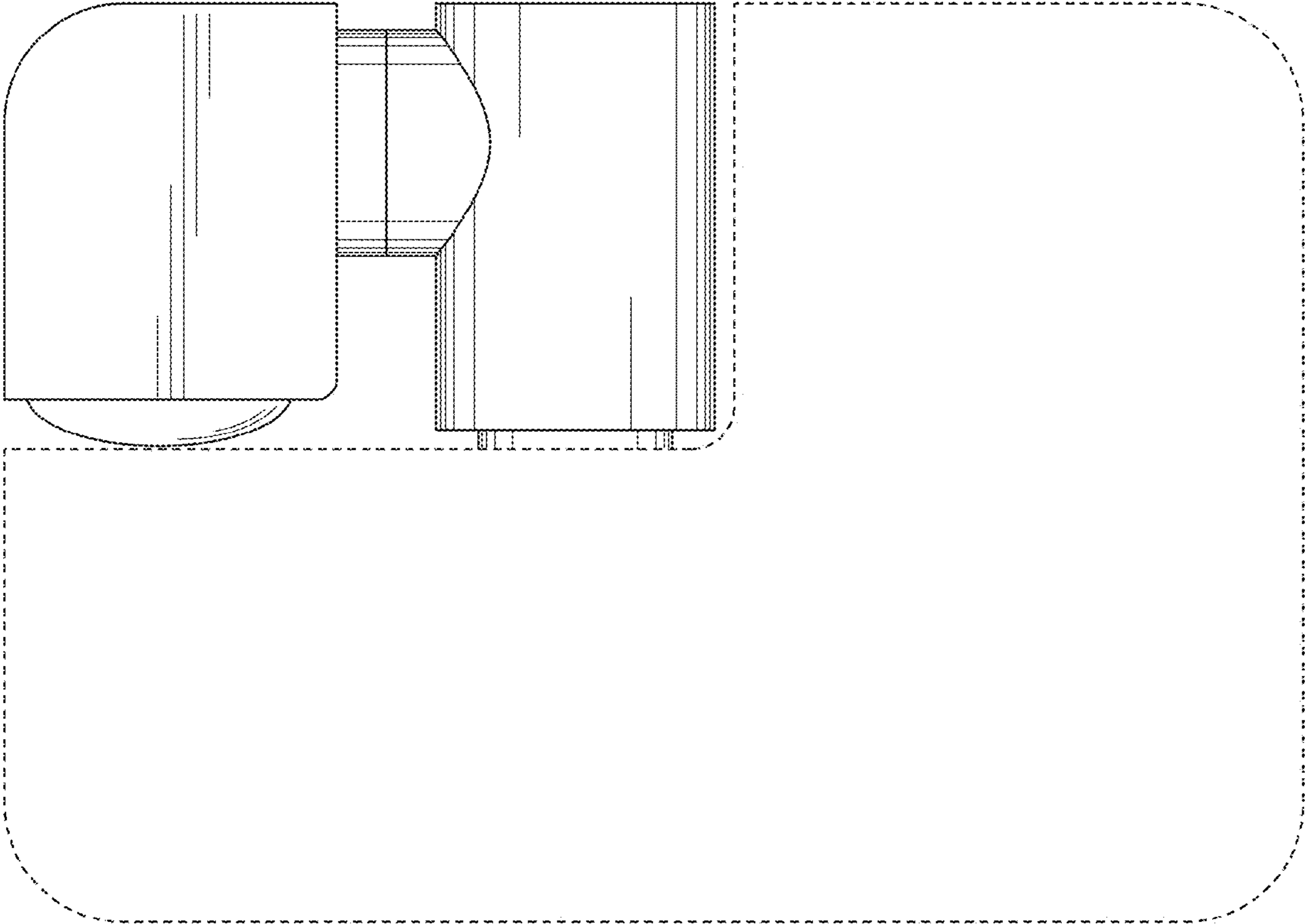


FIG. 3

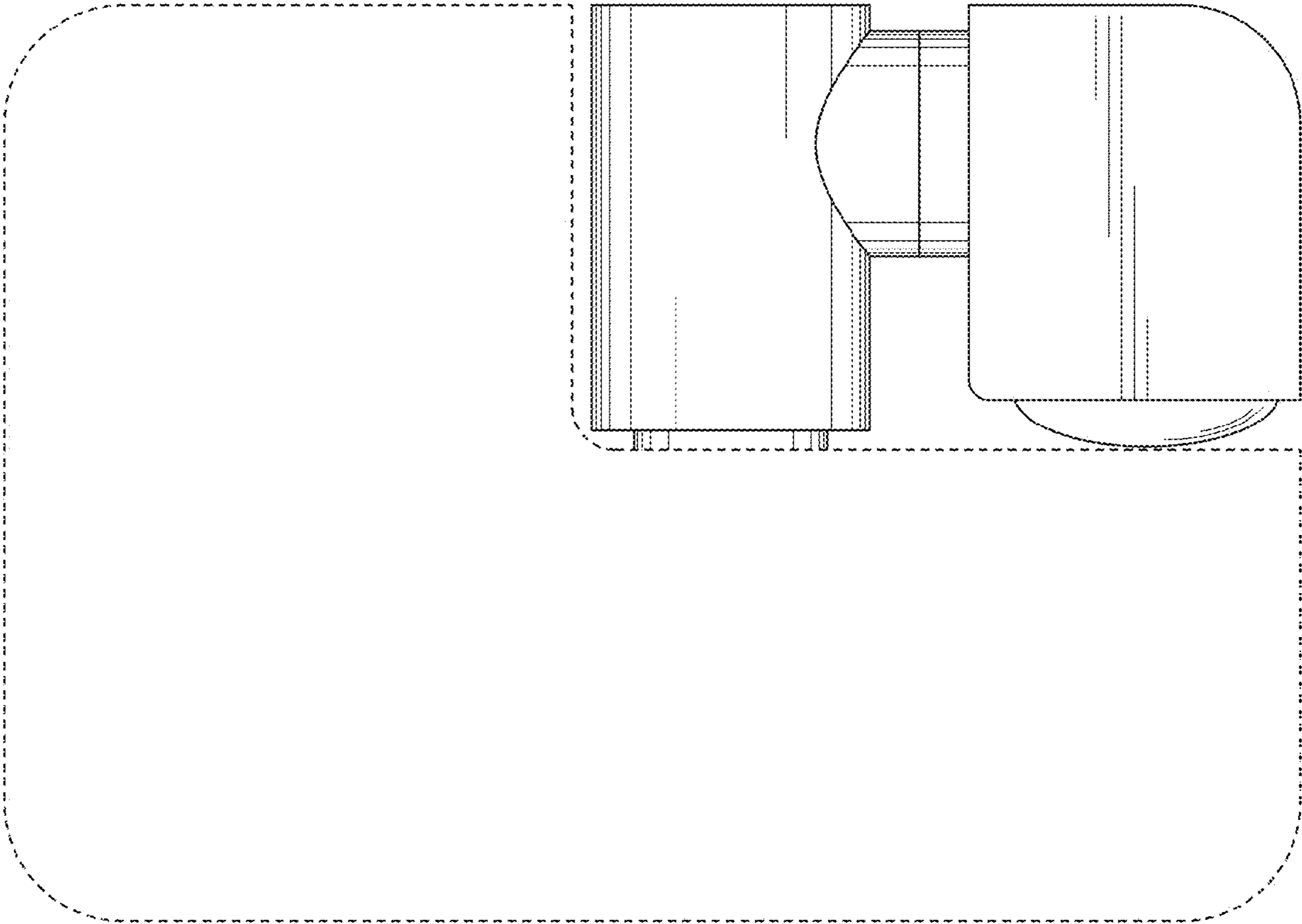


FIG. 4

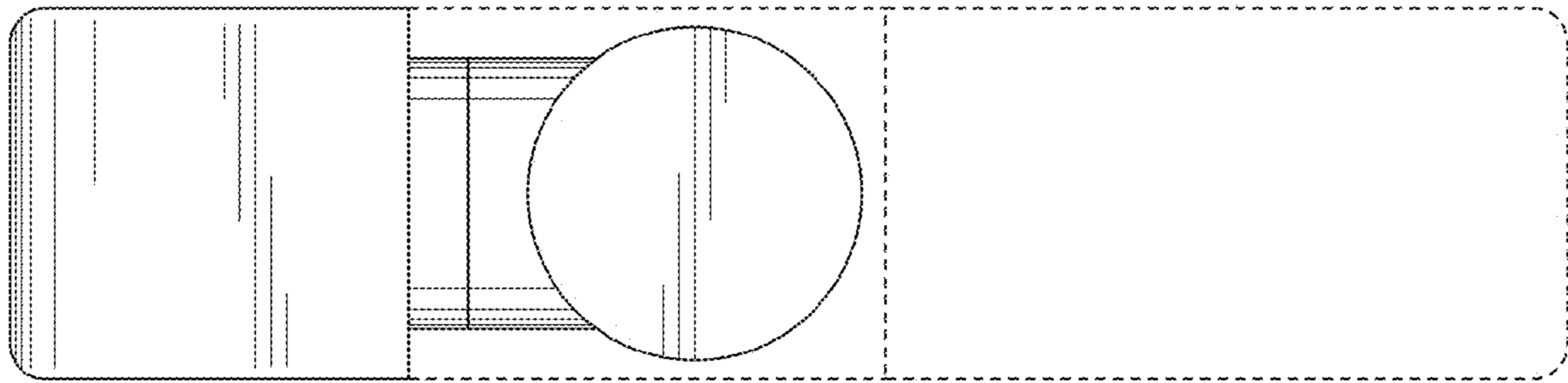


FIG. 5



FIG. 6

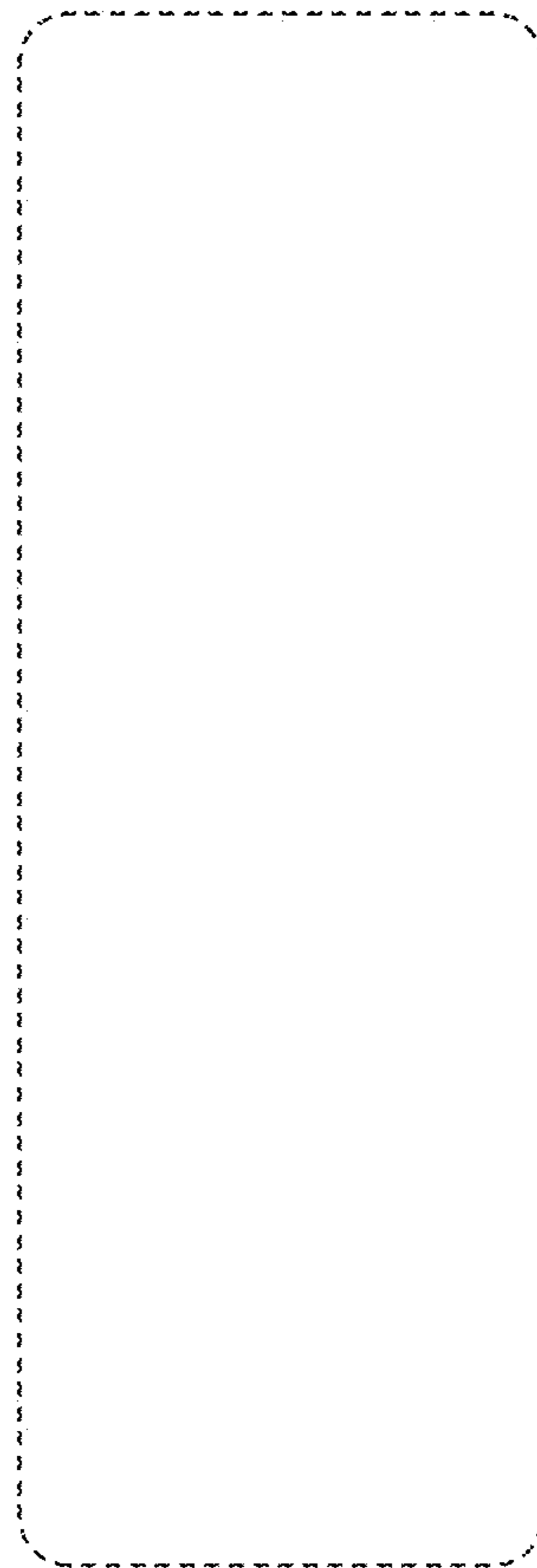


FIG. 7

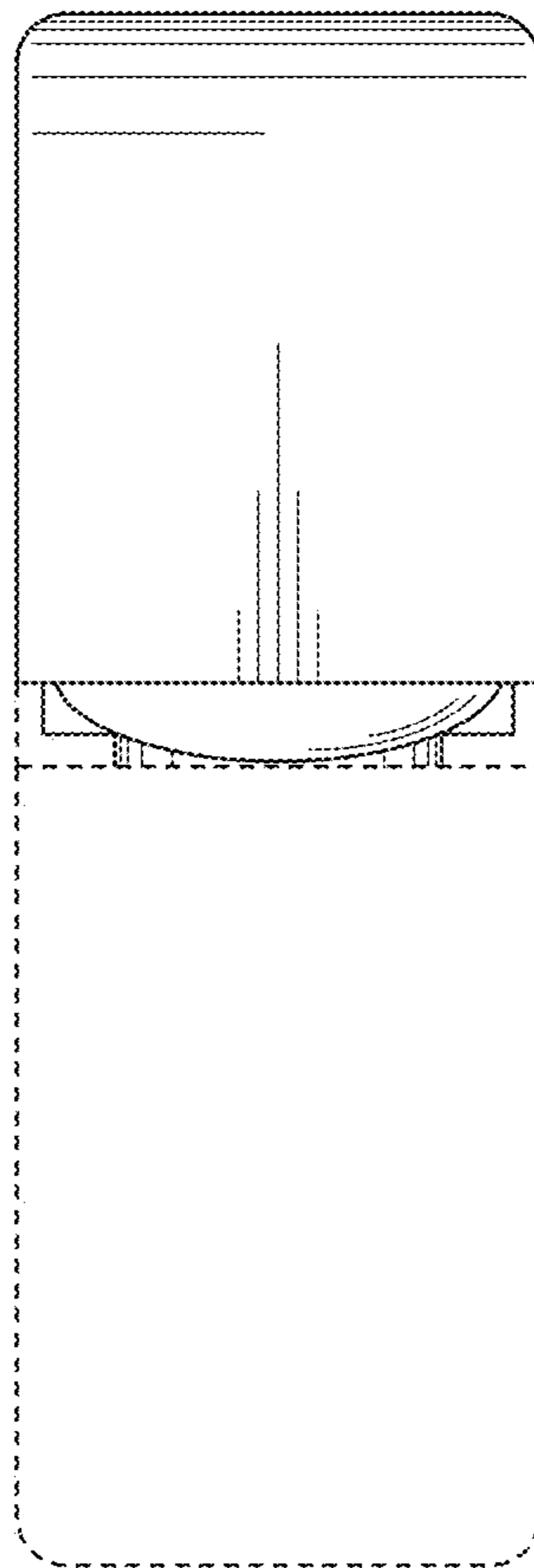


FIG. 8

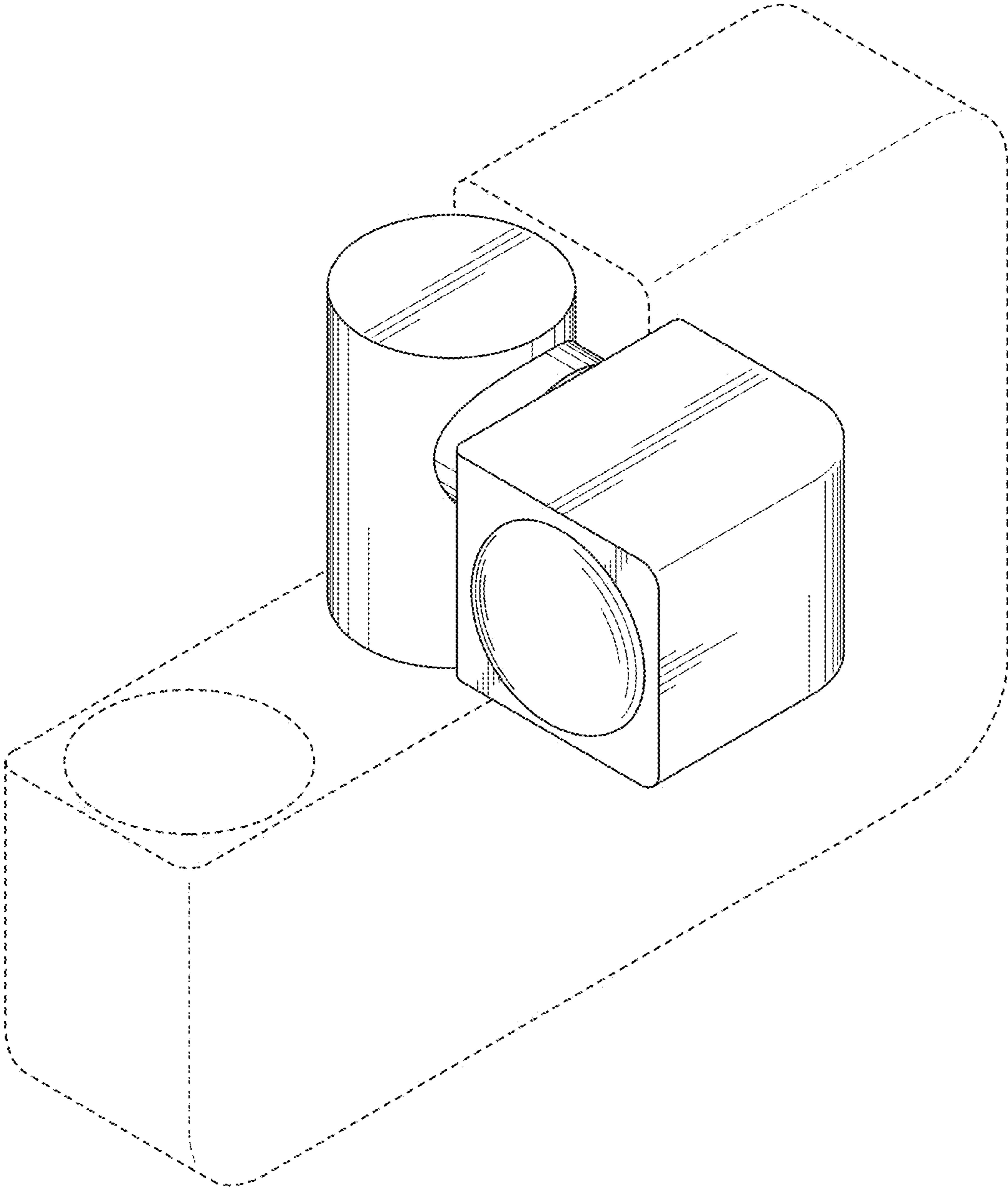


FIG. 9

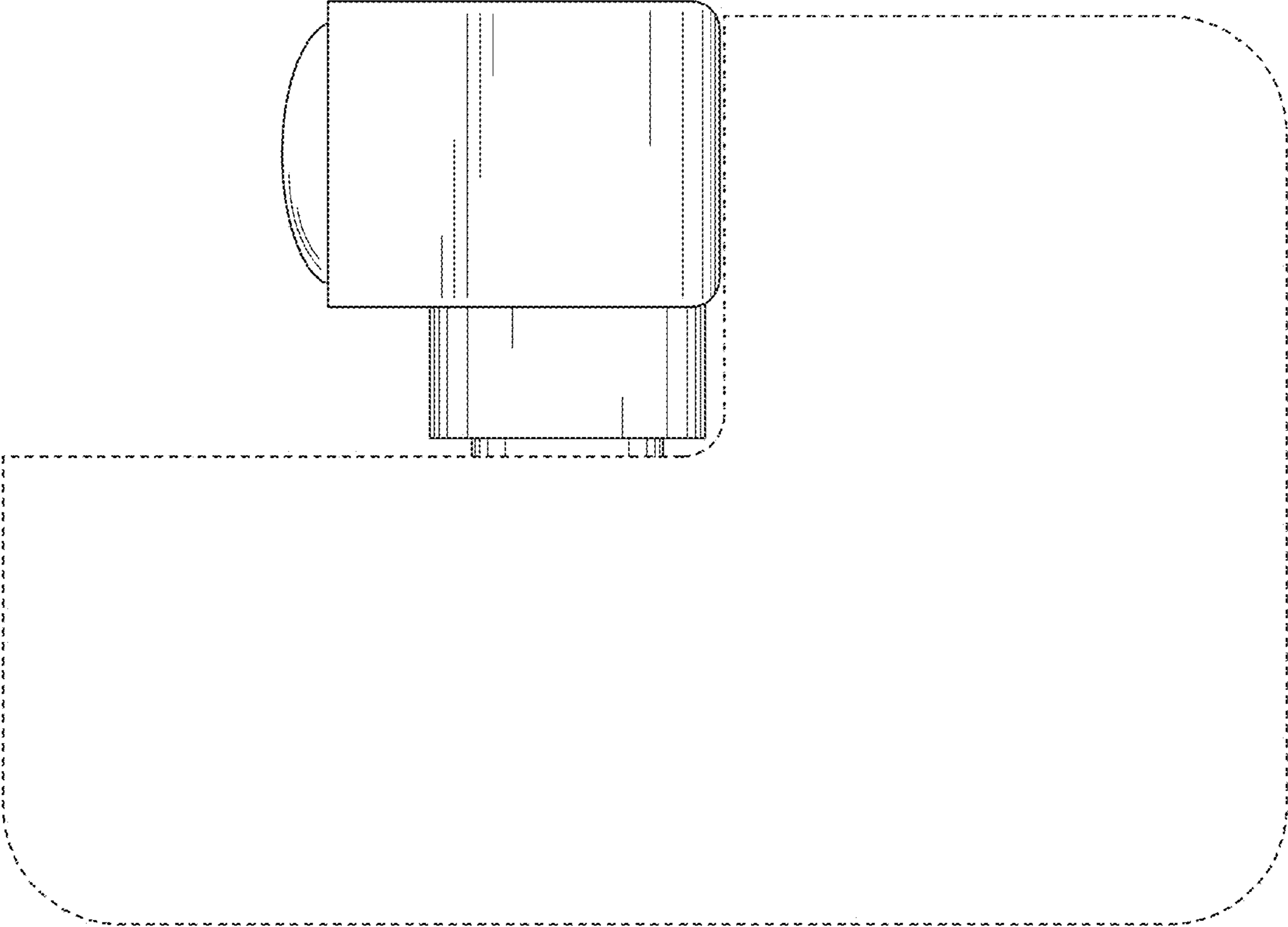


FIG. 10

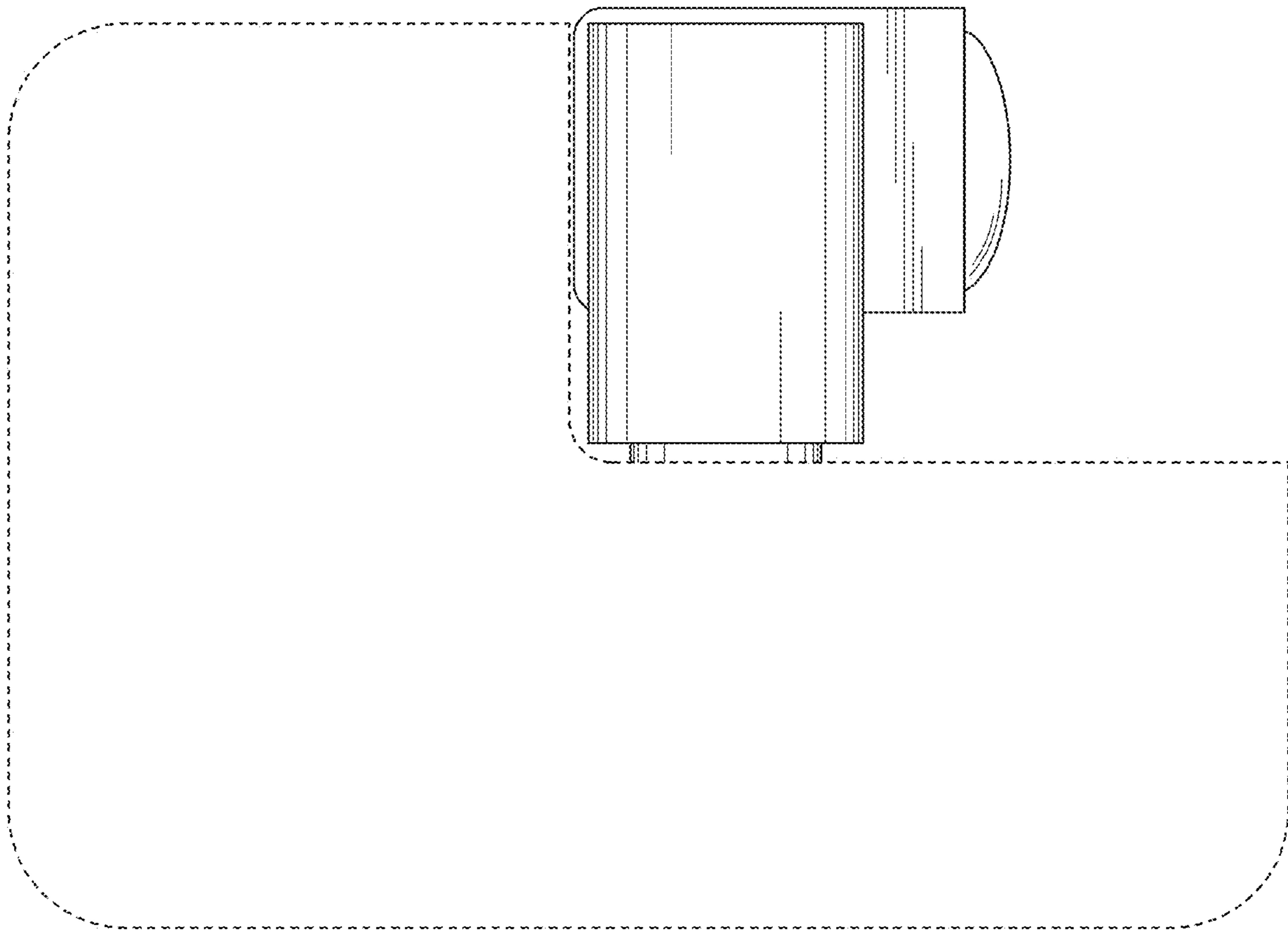


FIG. 11

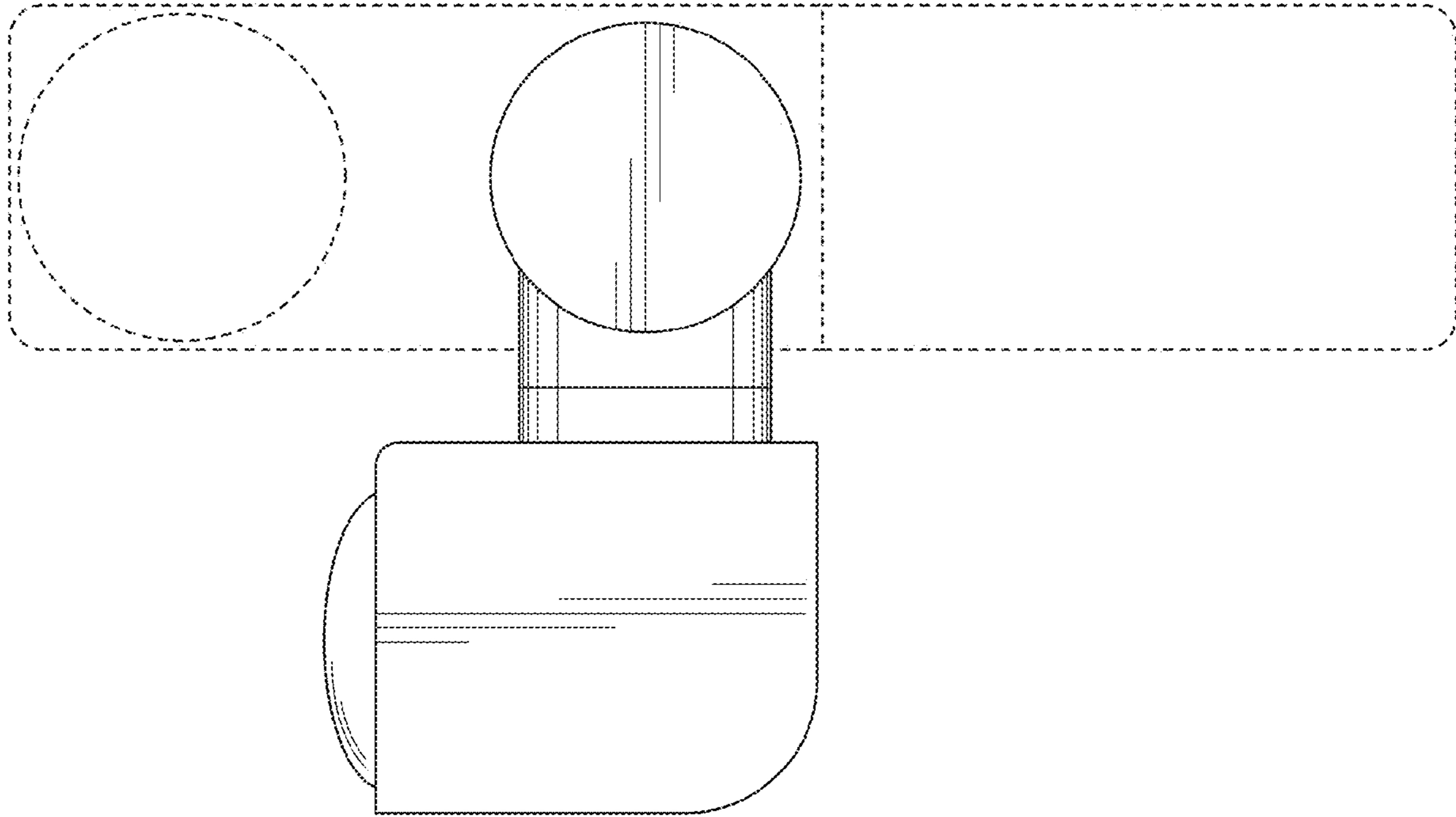


FIG. 12

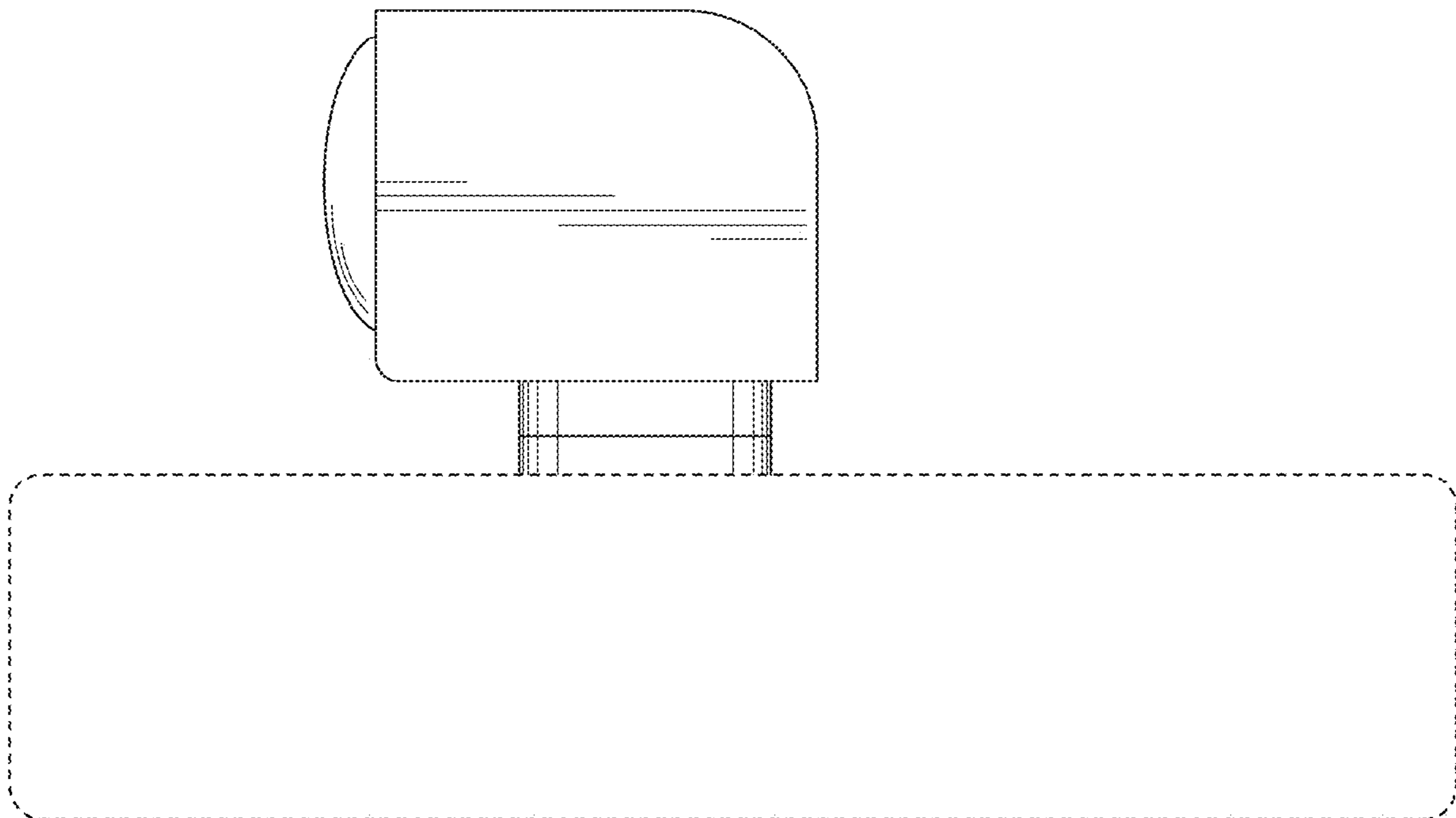


FIG. 13

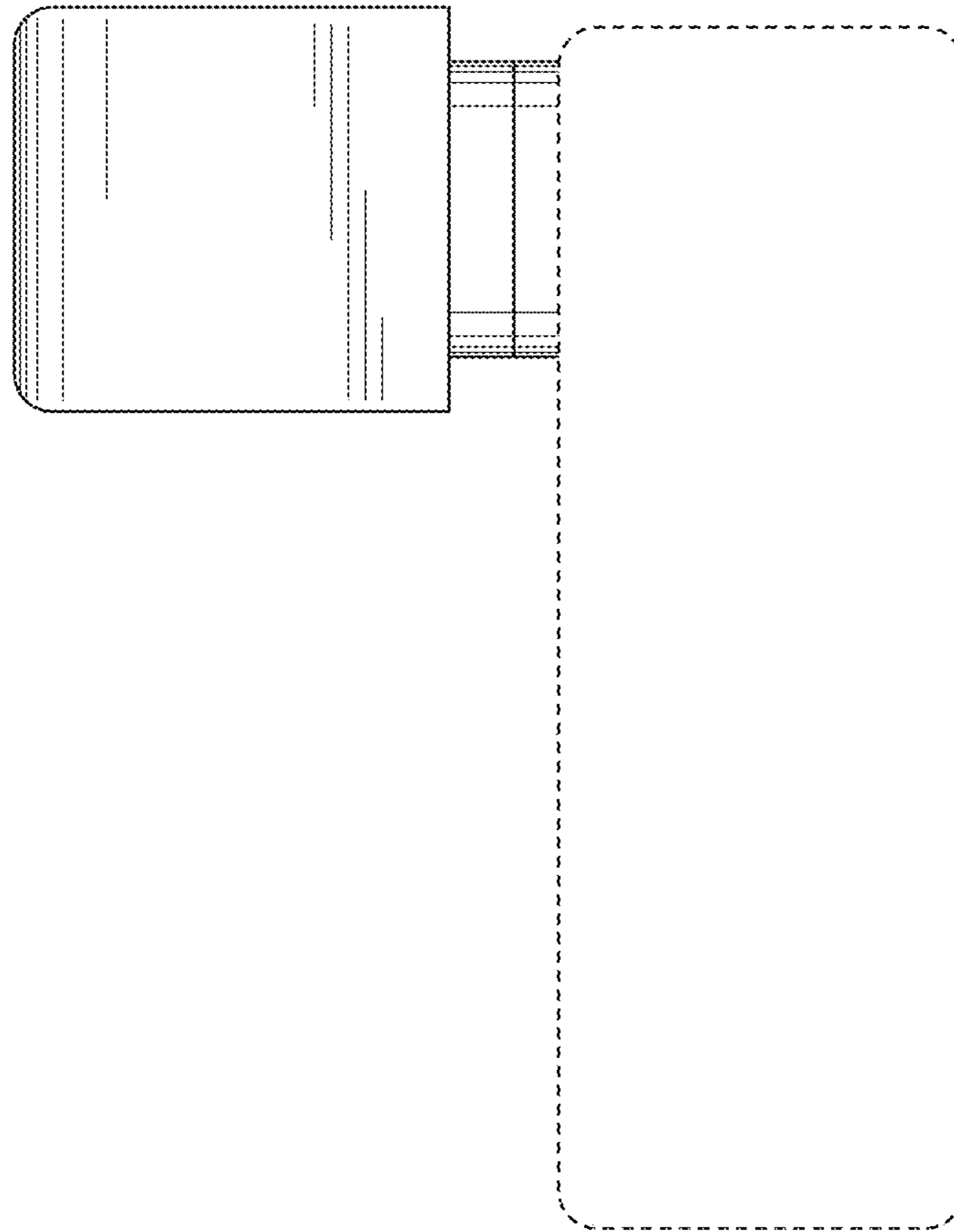


FIG. 14

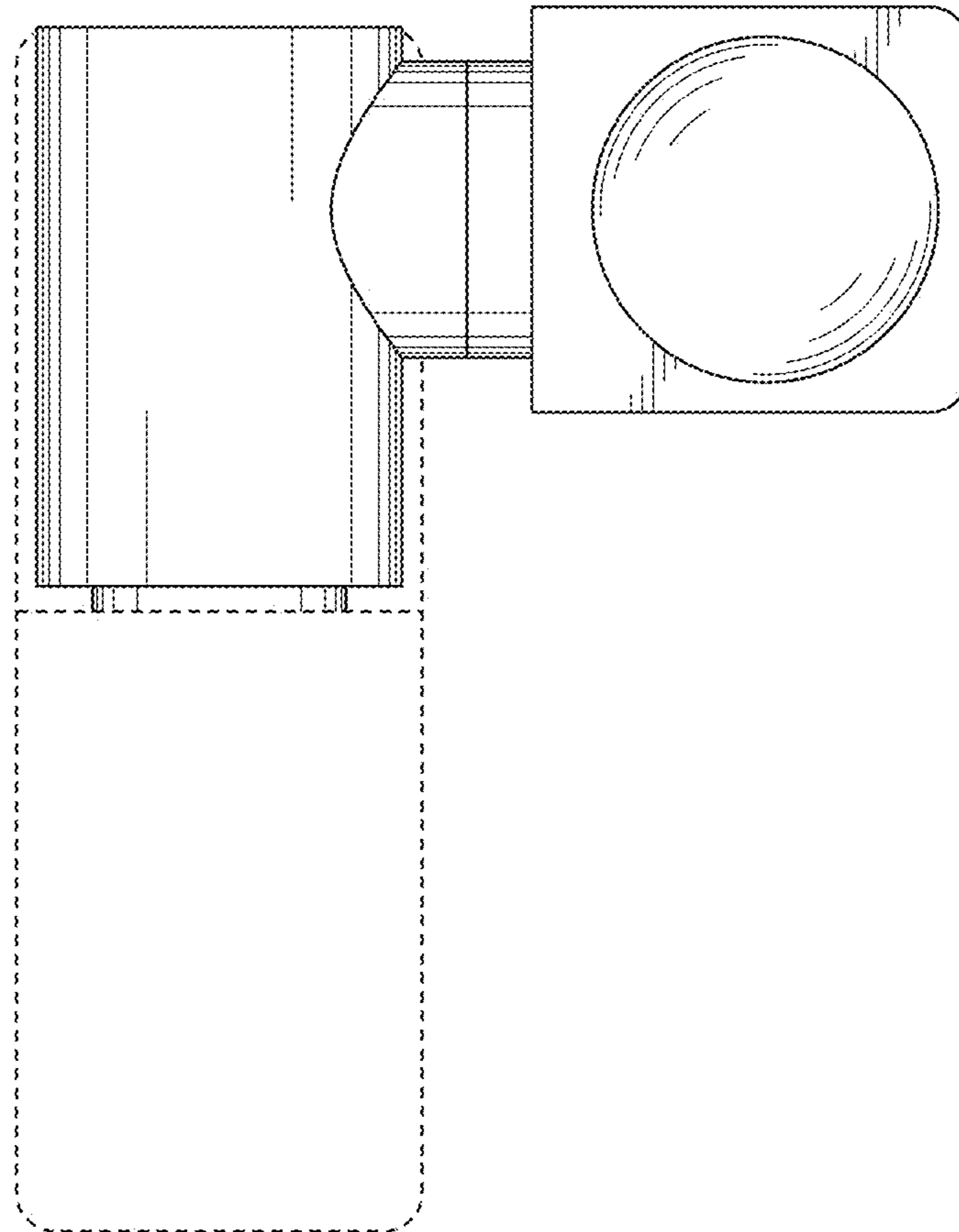


FIG. 15

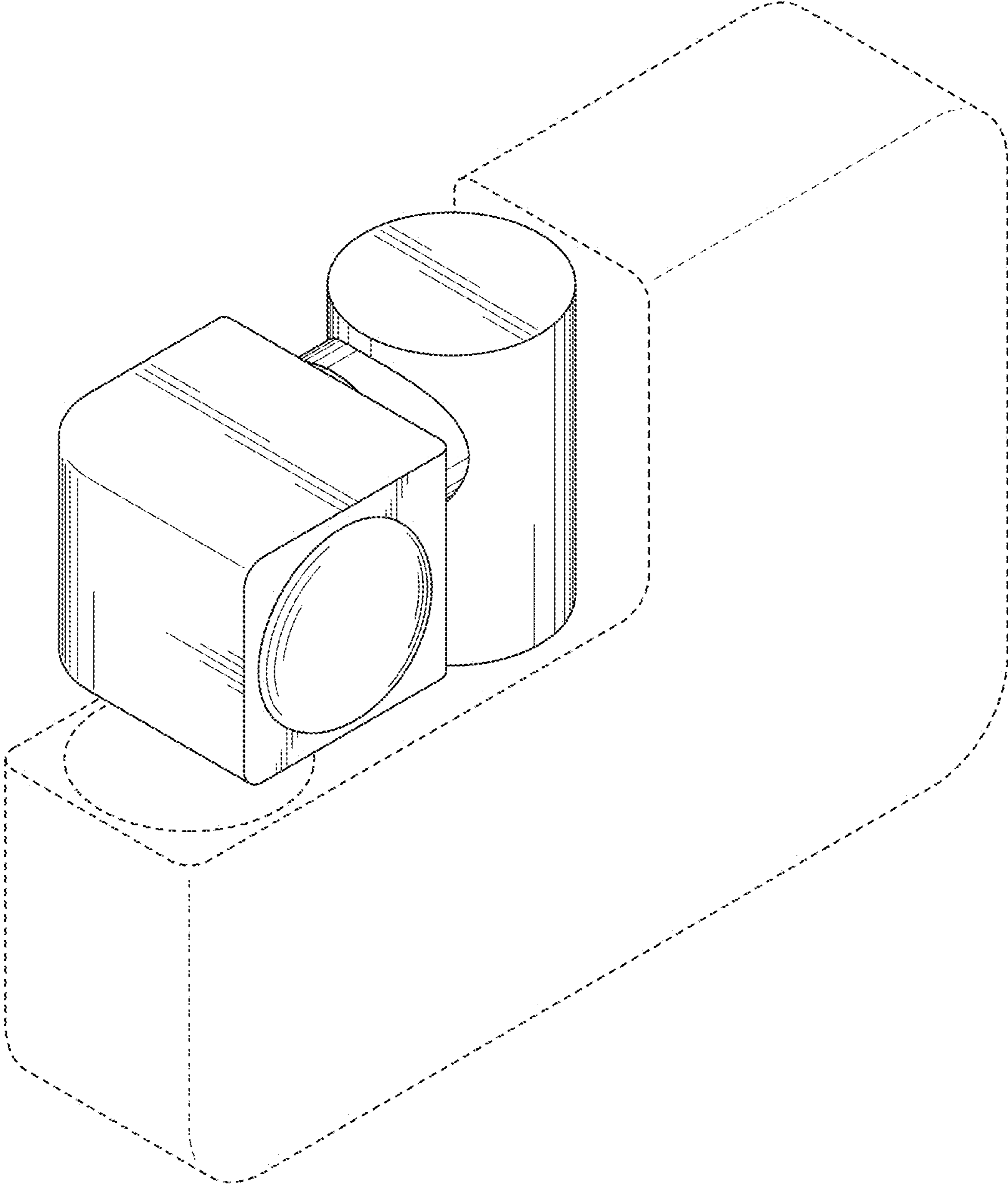


FIG. 16

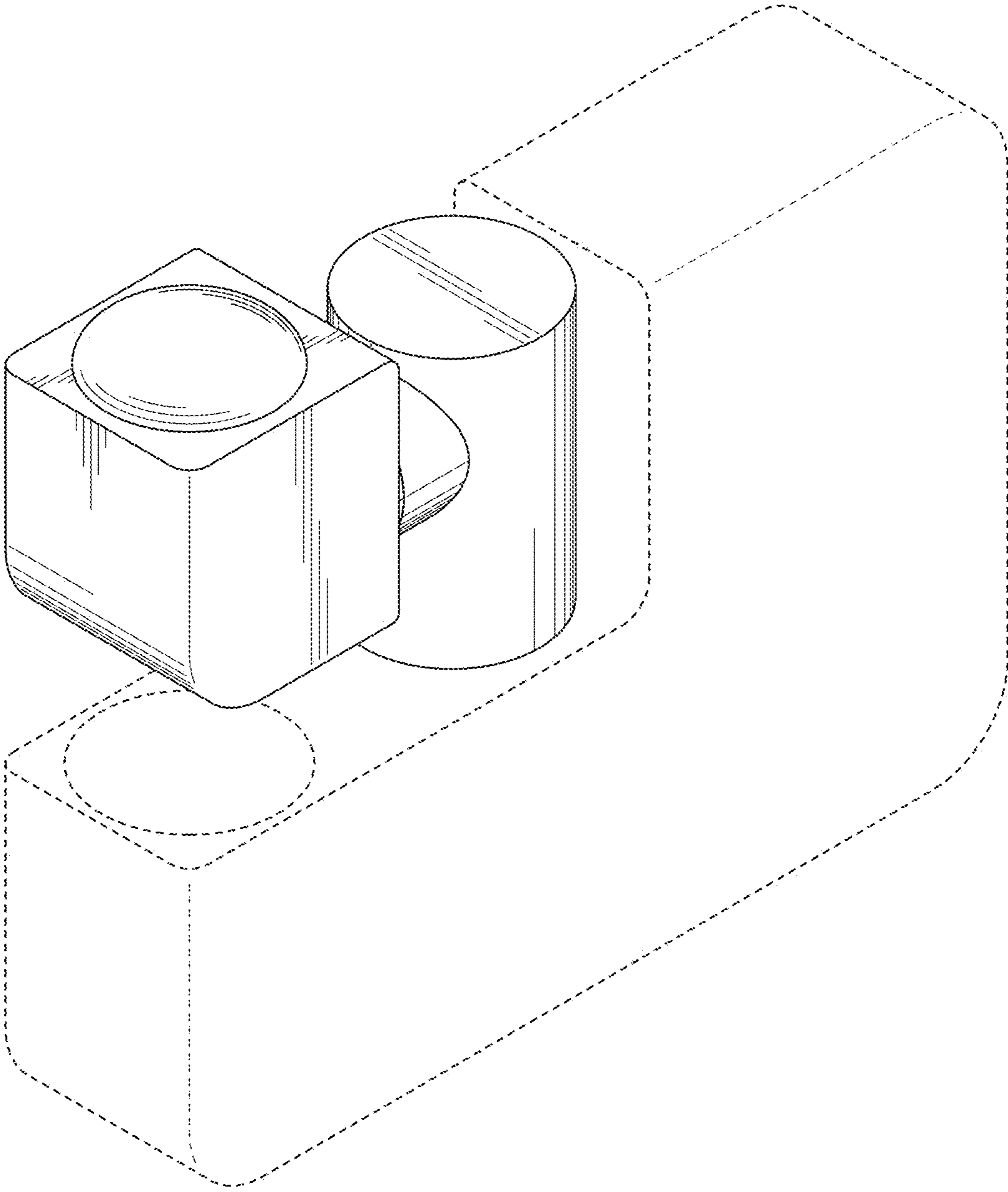


FIG. 17

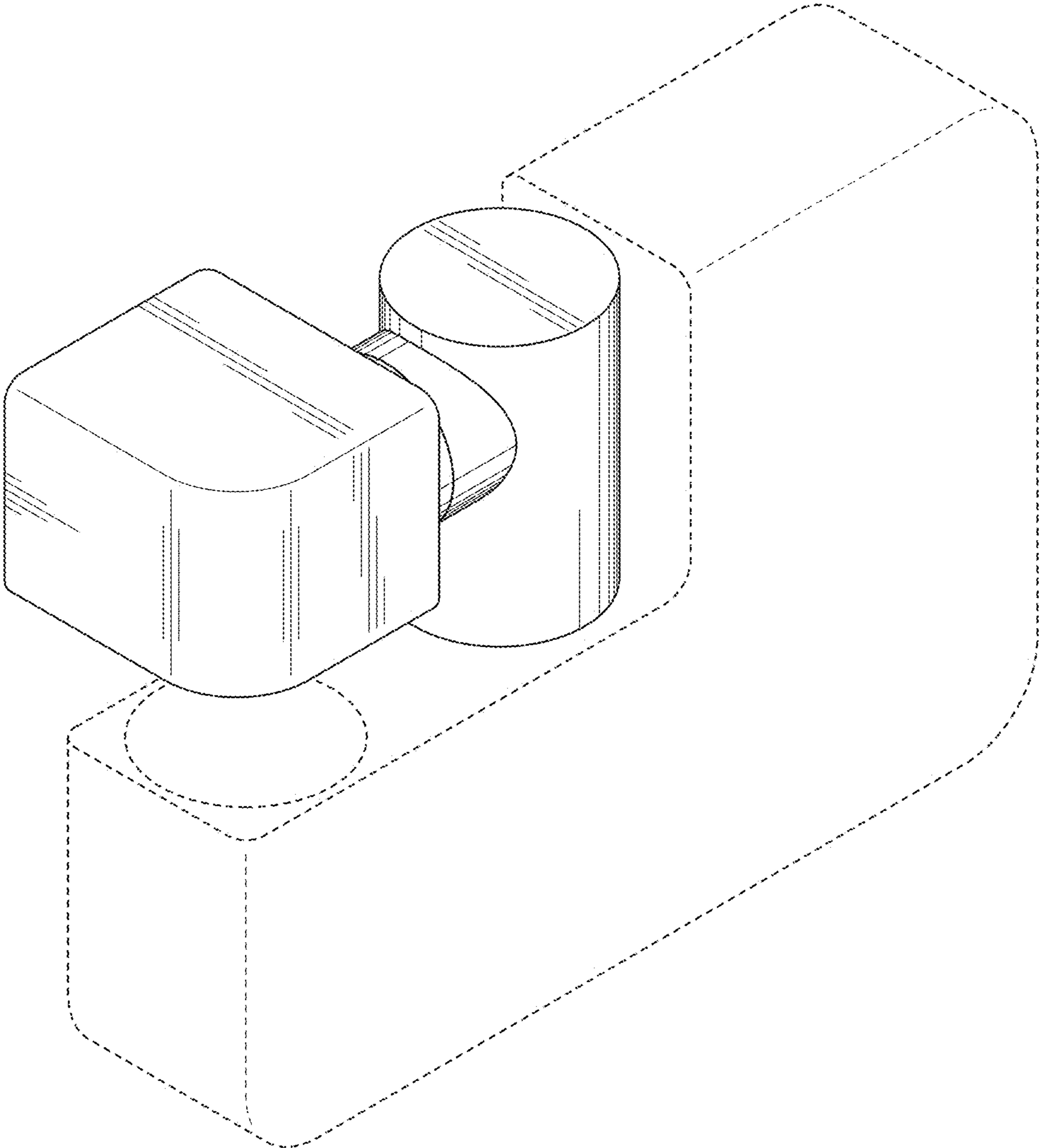


FIG. 18

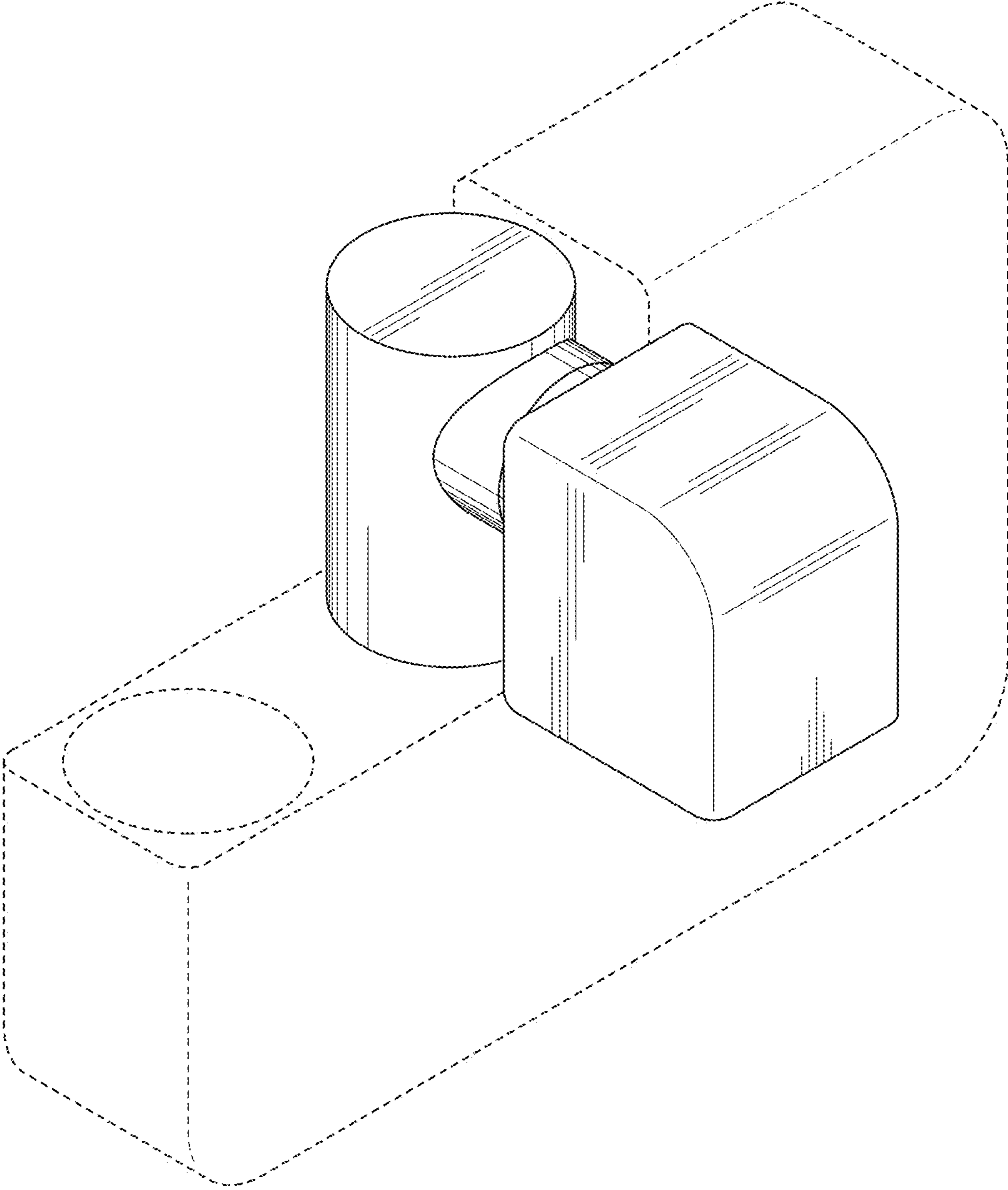


FIG. 19

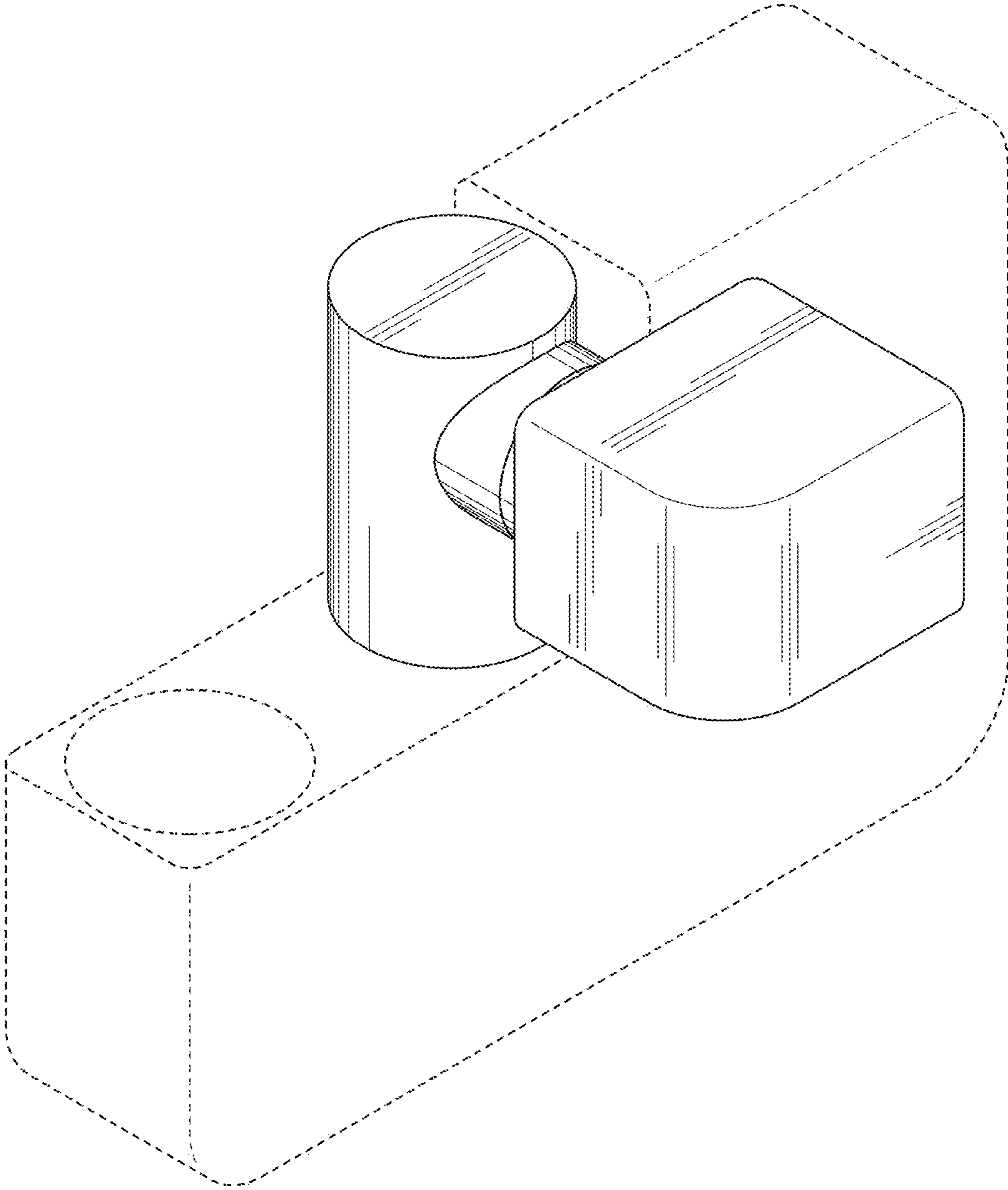


FIG. 20

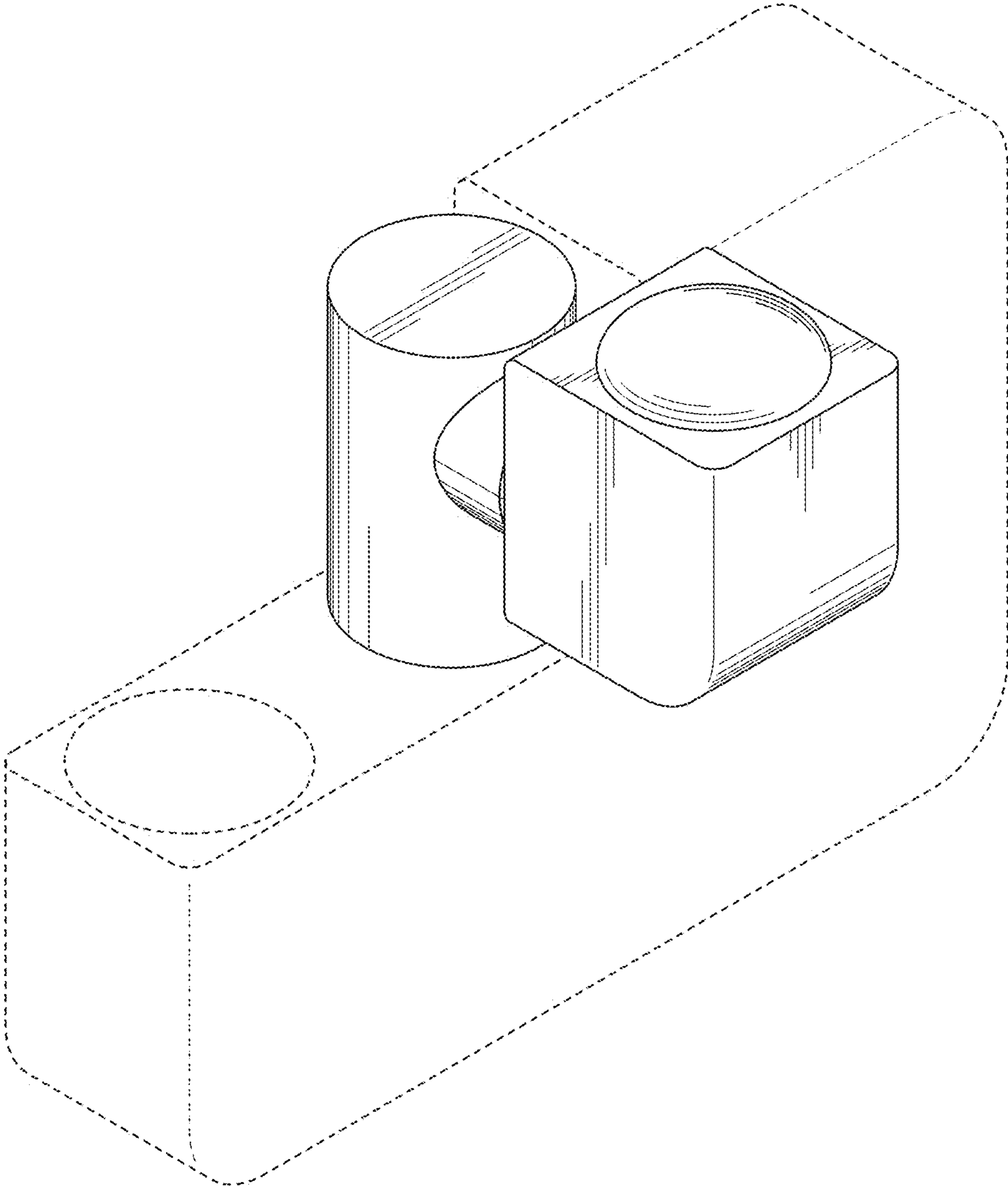


FIG. 21

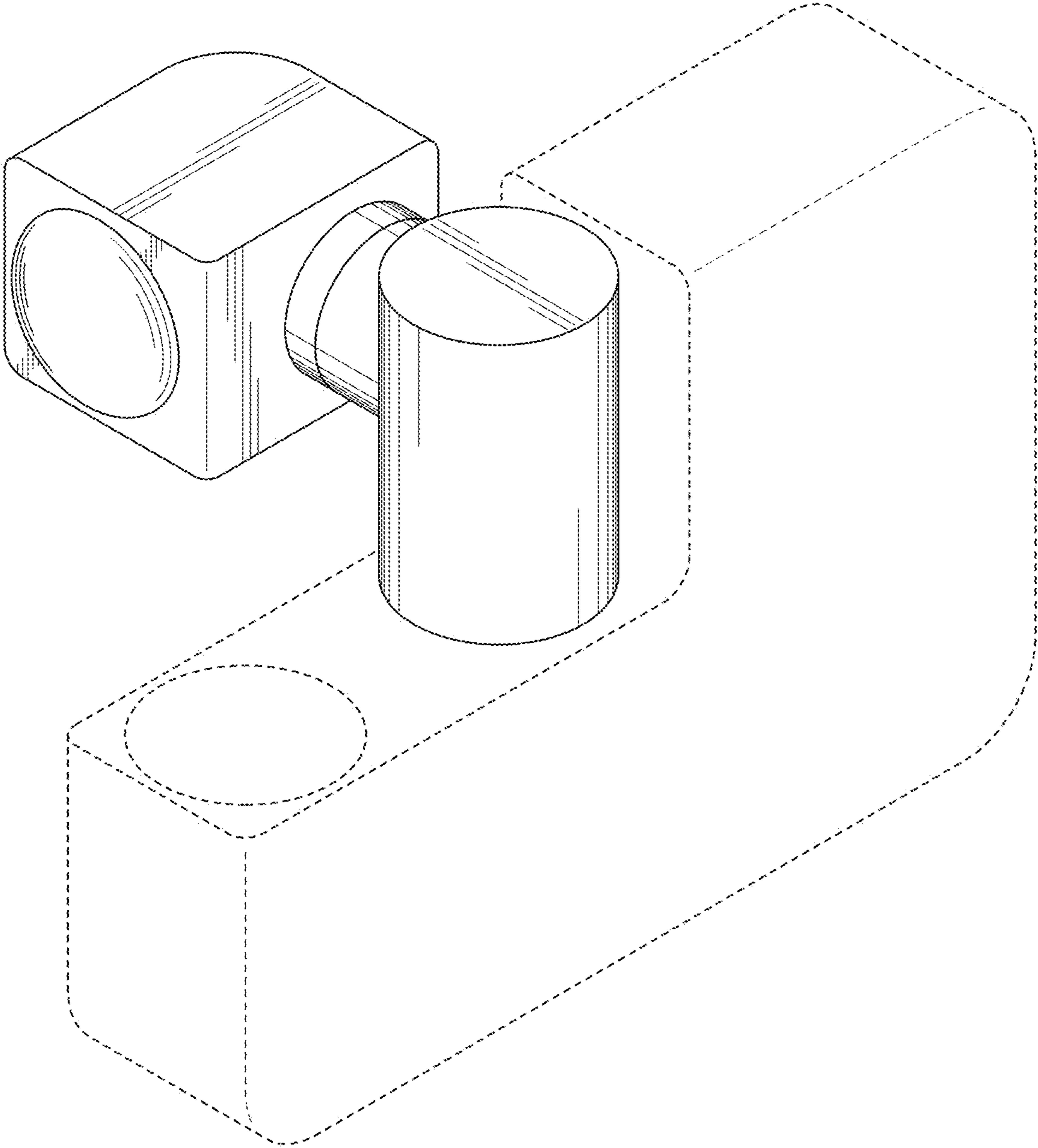


FIG. 22

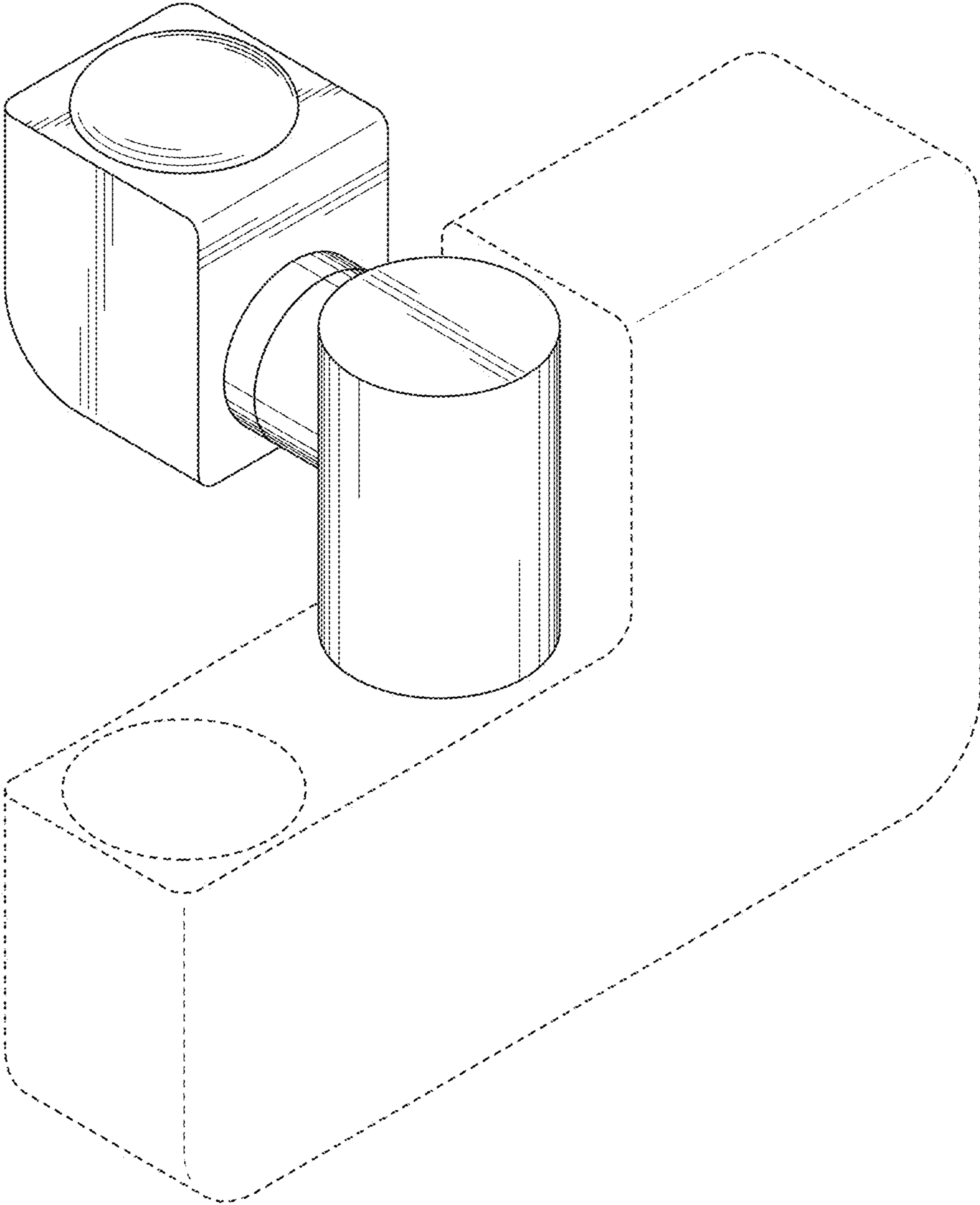


FIG. 23

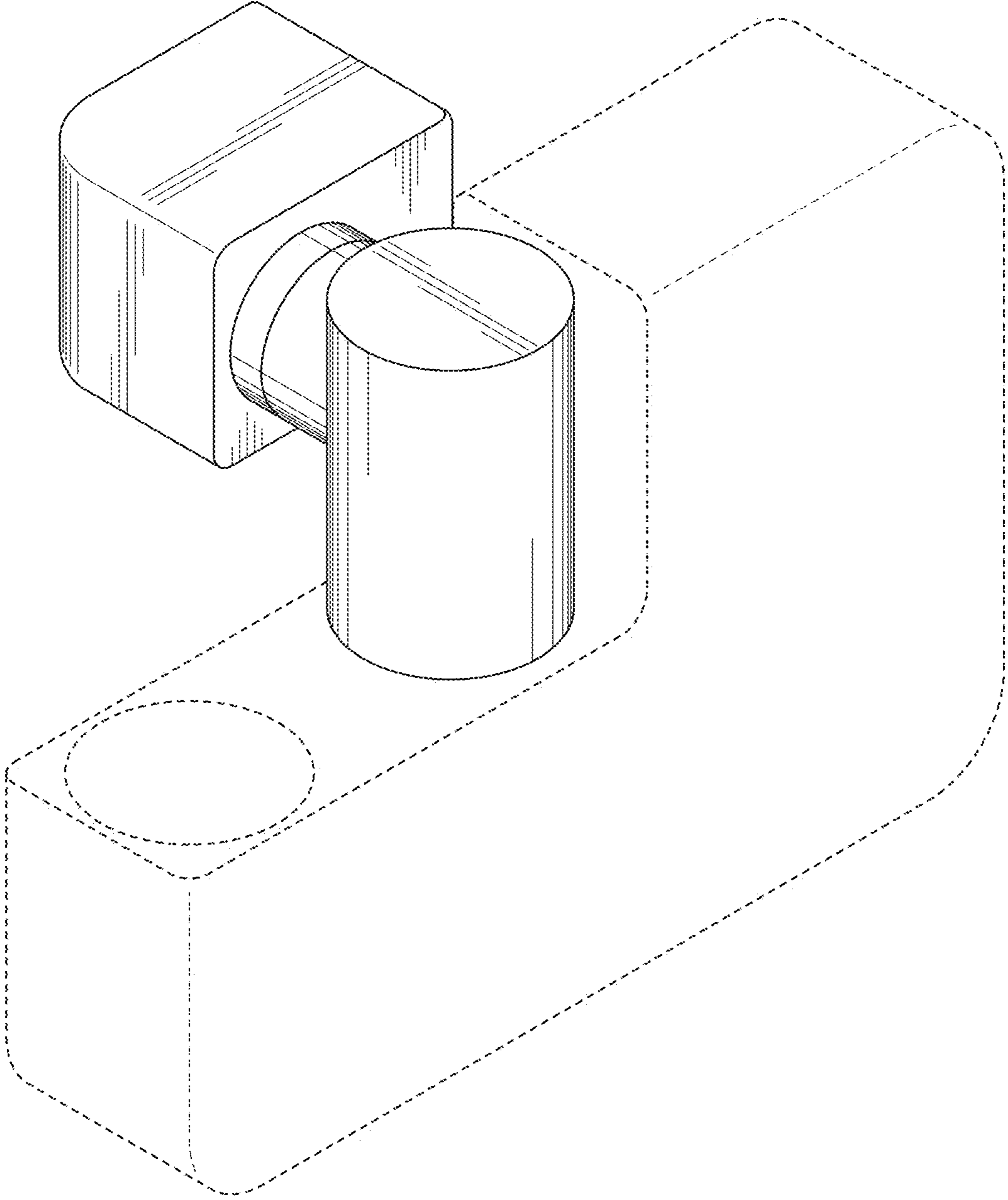


FIG. 24

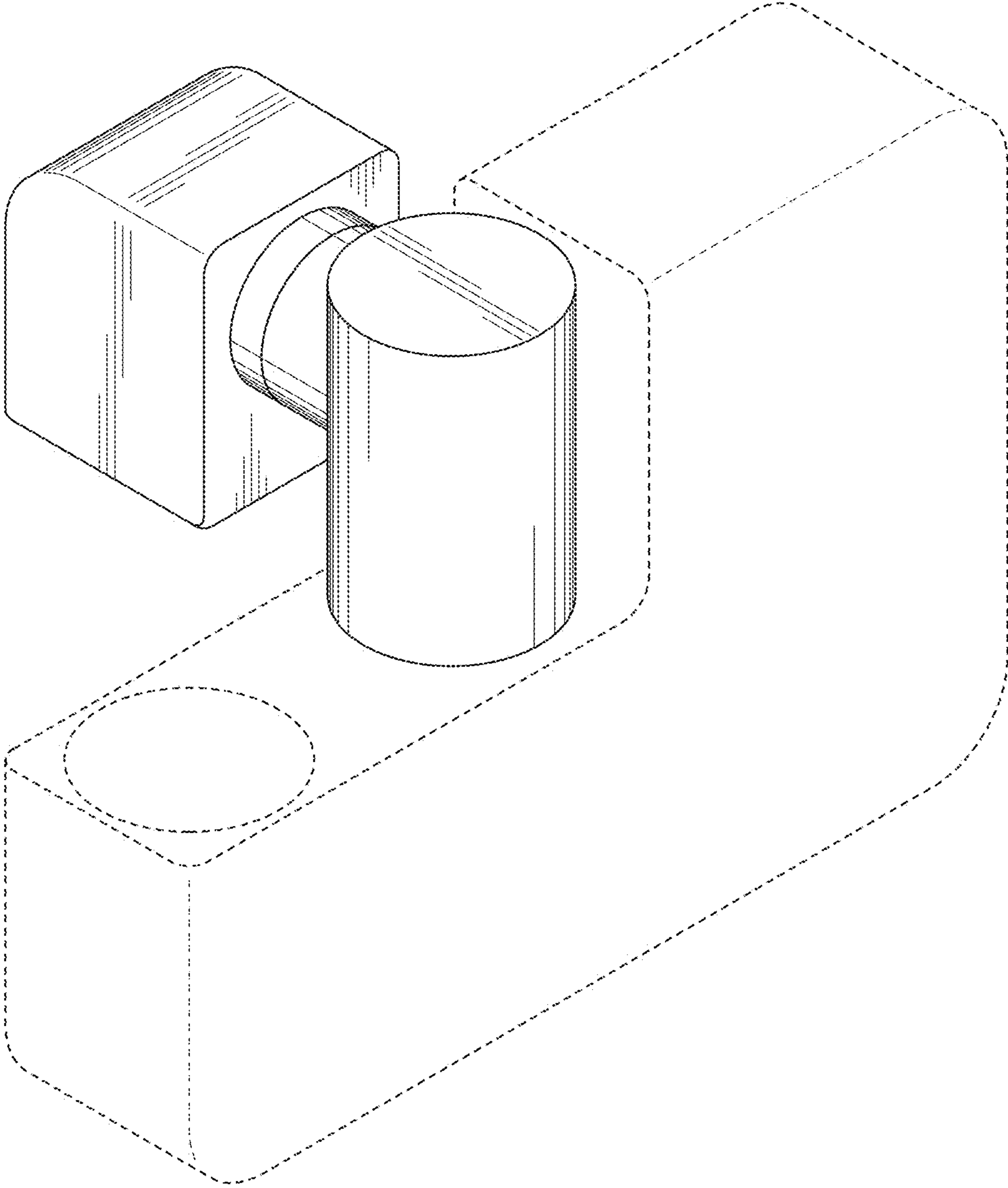


FIG. 25

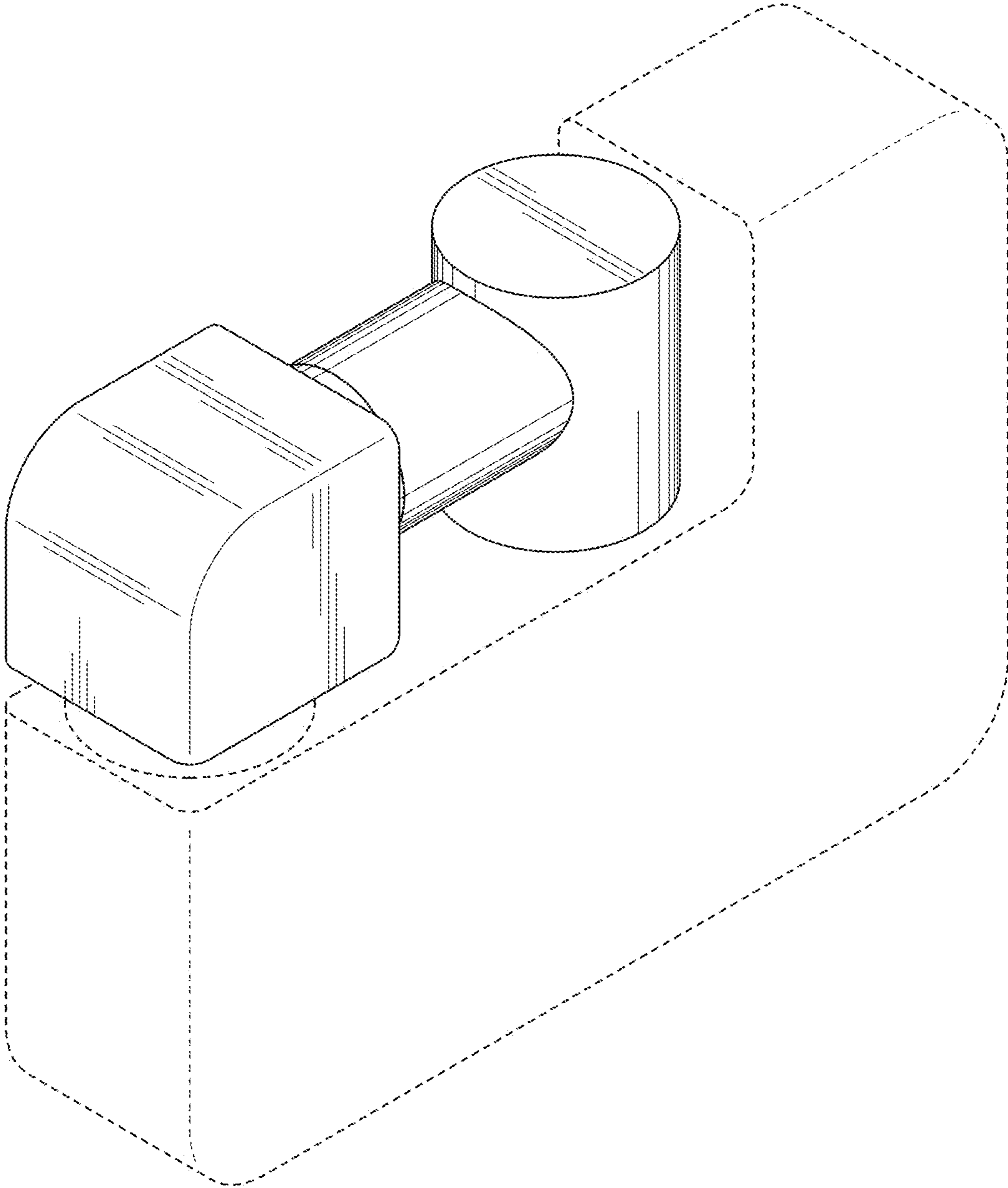


FIG. 26

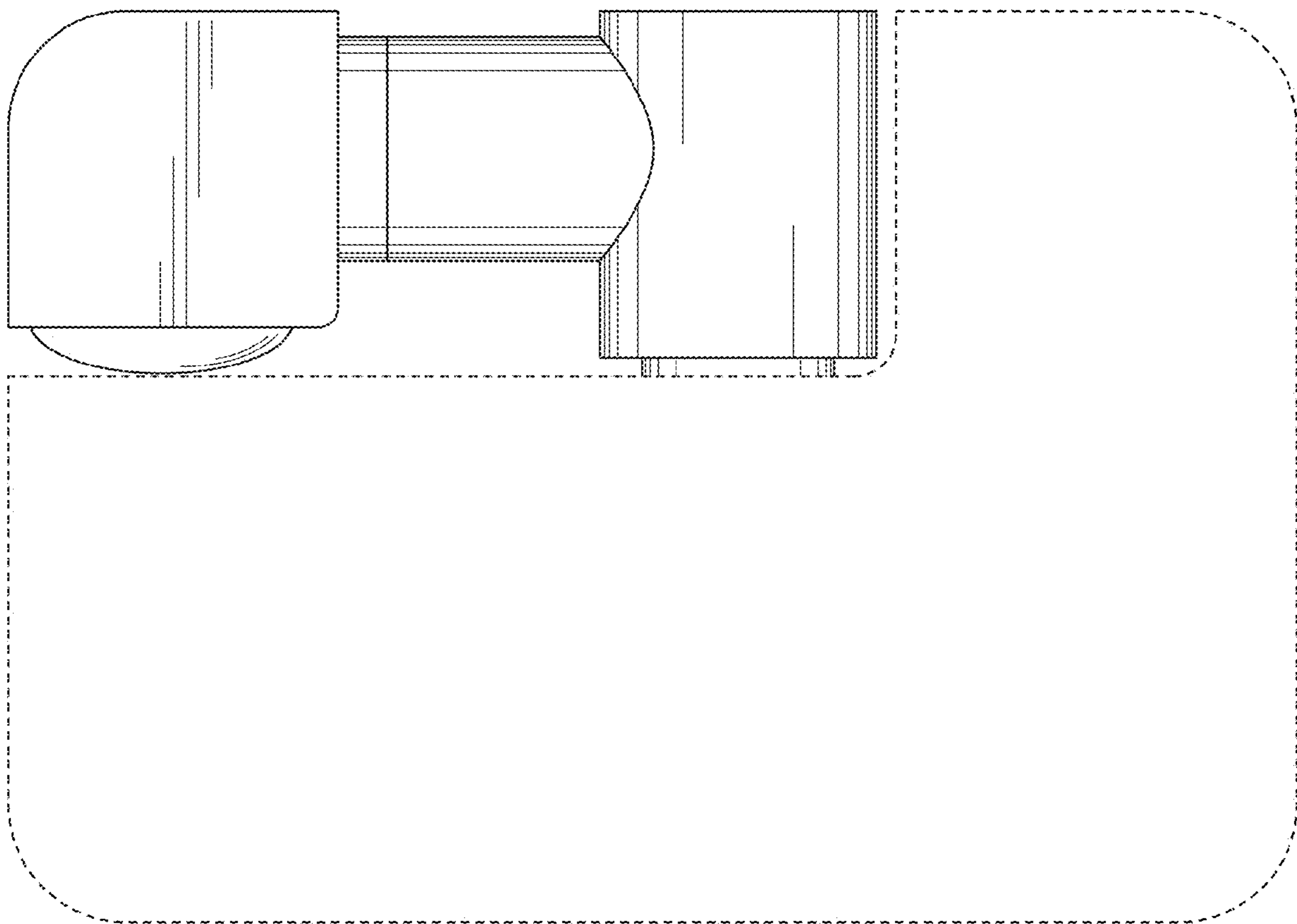


FIG. 27

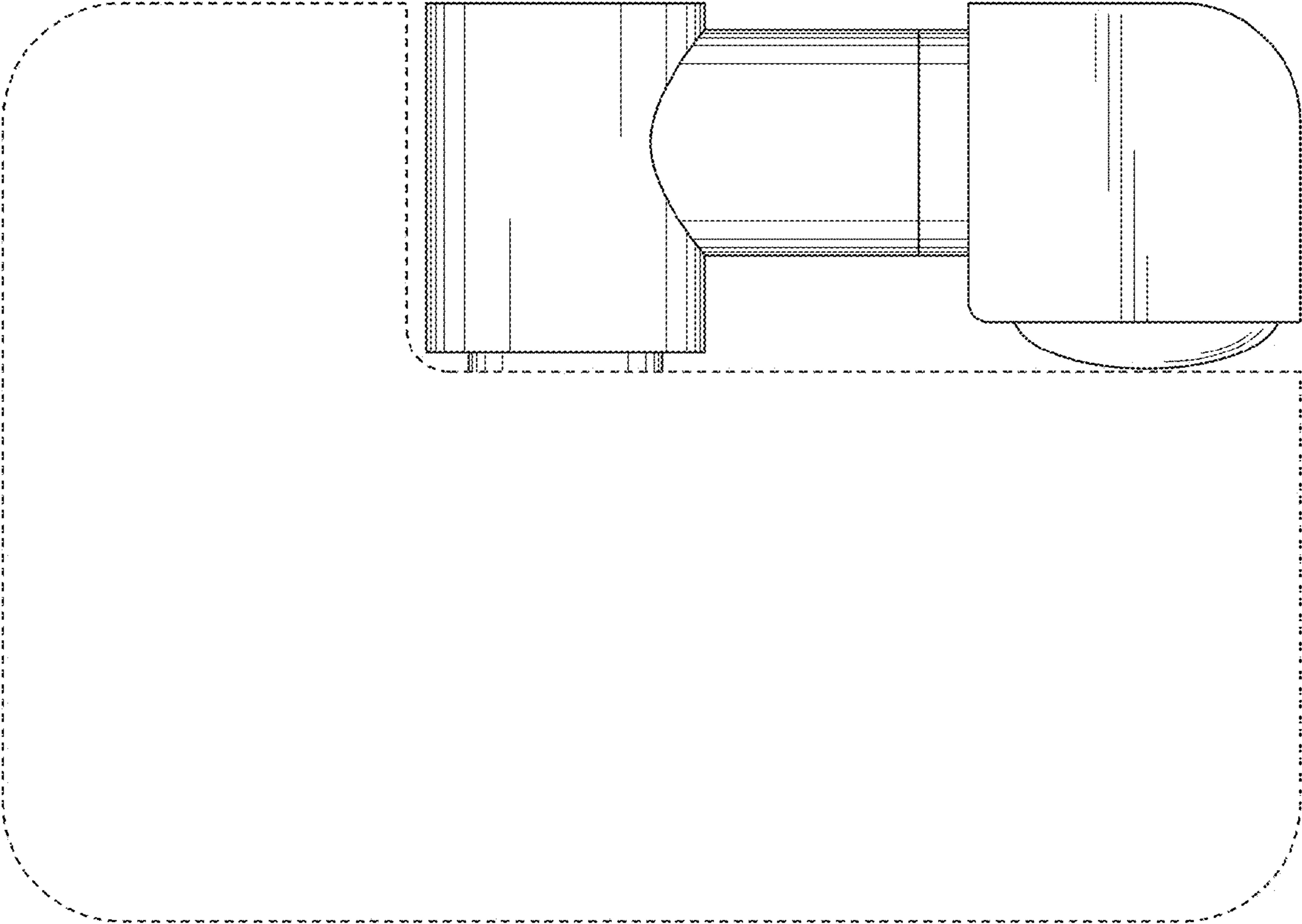


FIG. 28

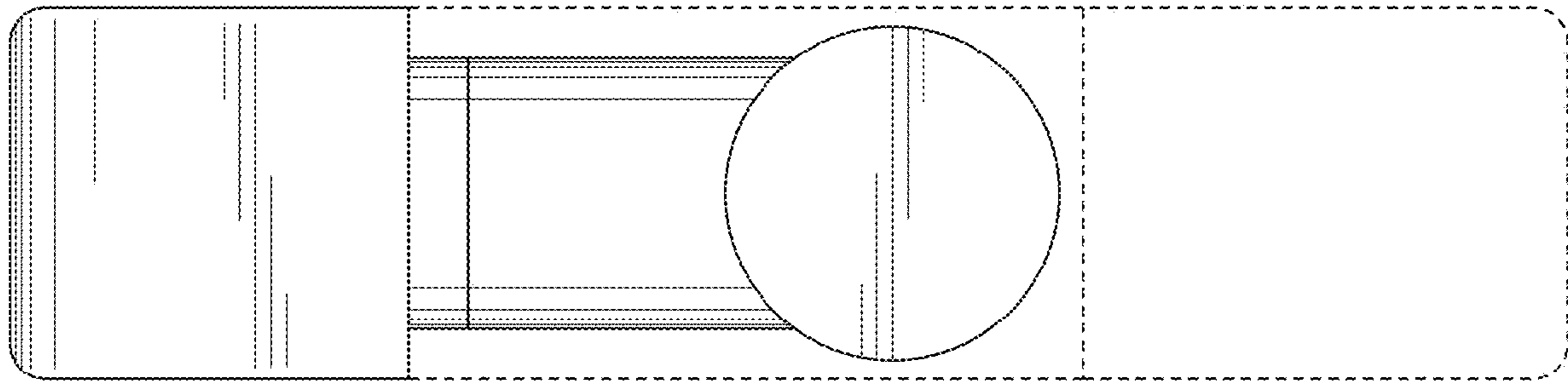


FIG. 29



FIG. 30

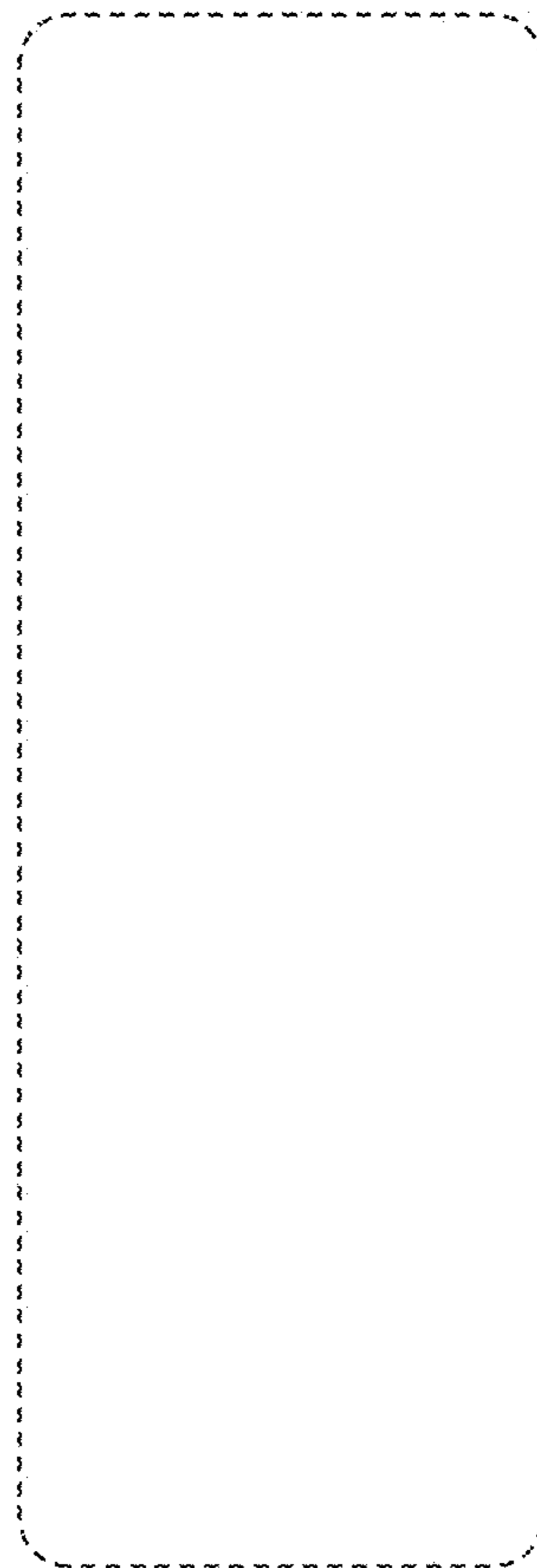


FIG. 31

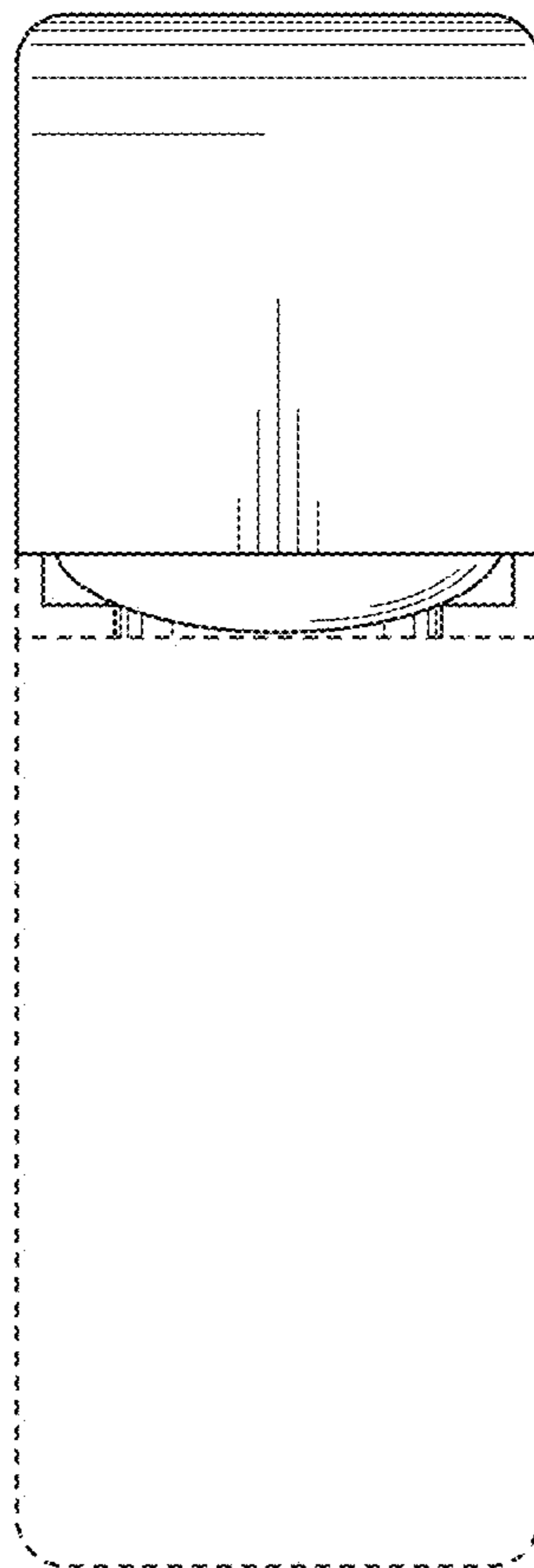


FIG. 32

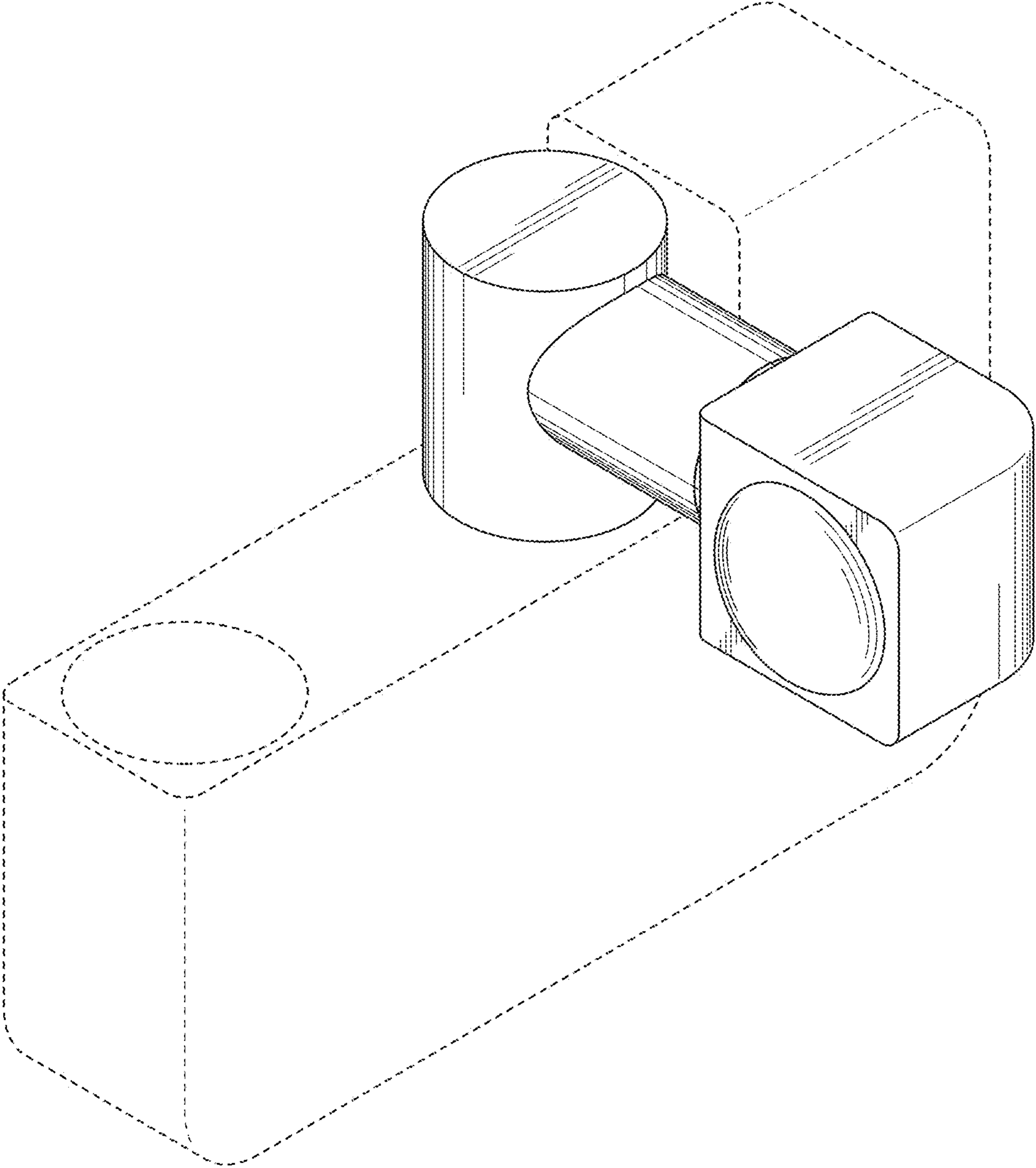


FIG. 33

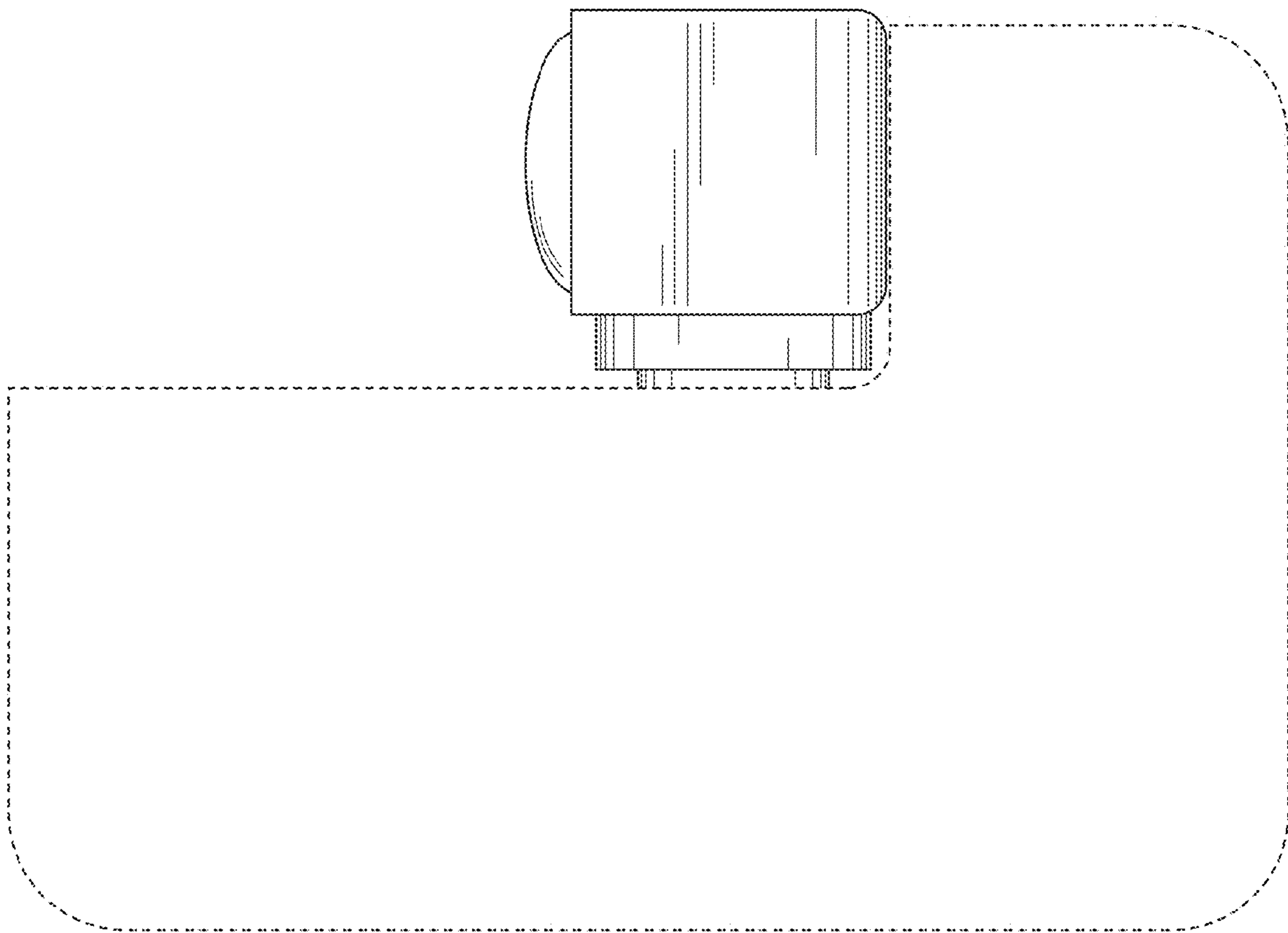


FIG. 34

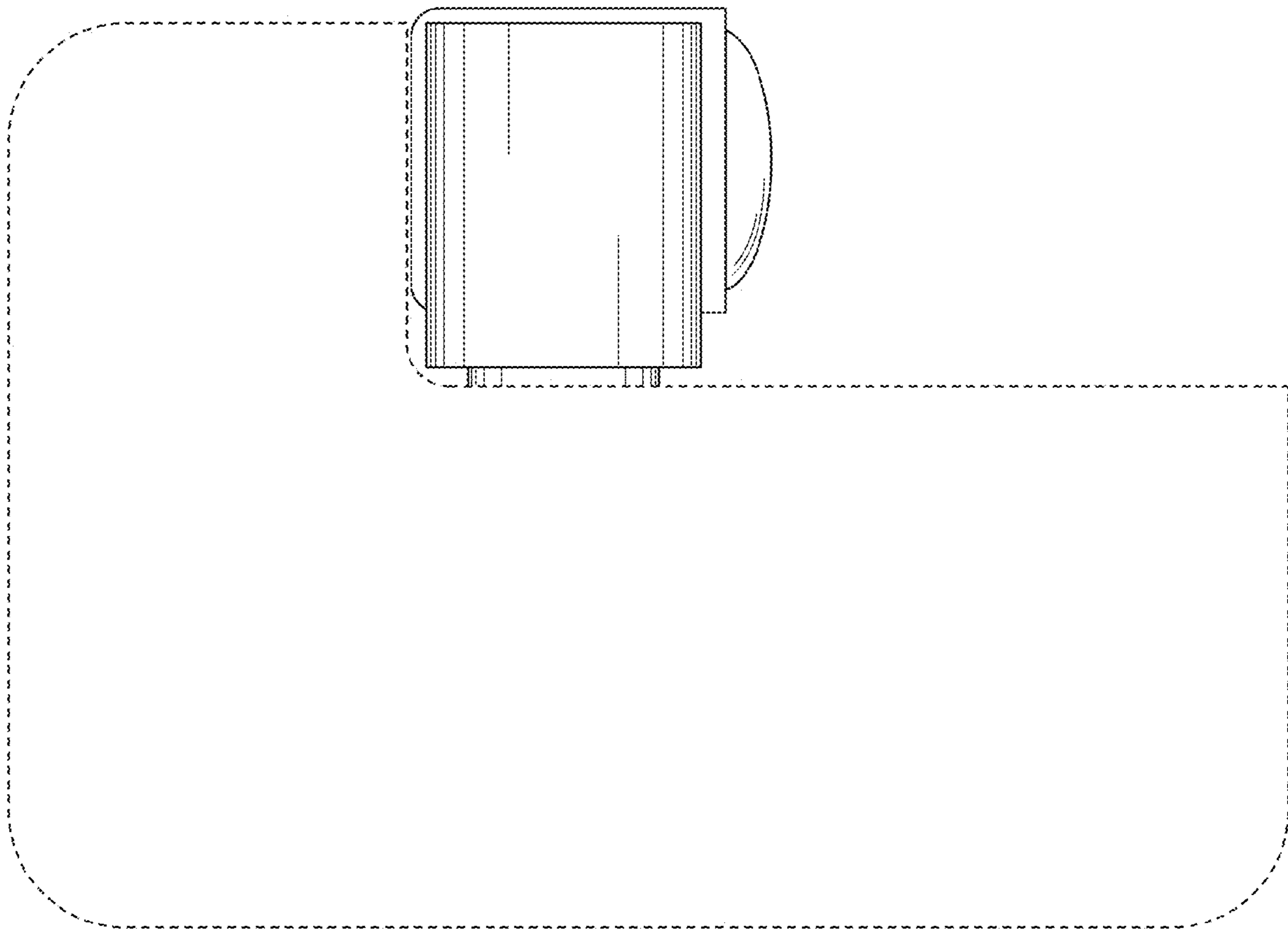


FIG. 35

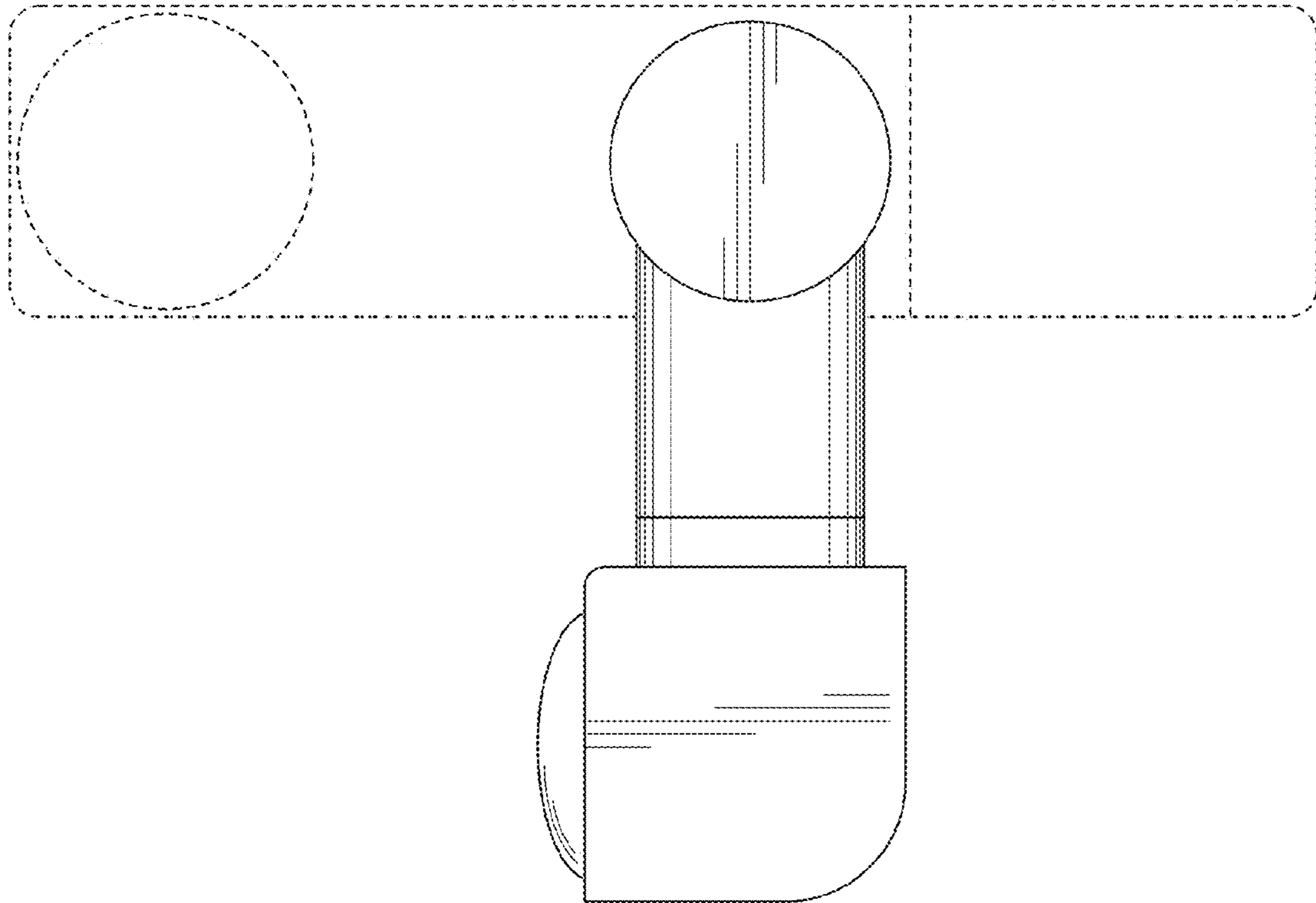


FIG. 36

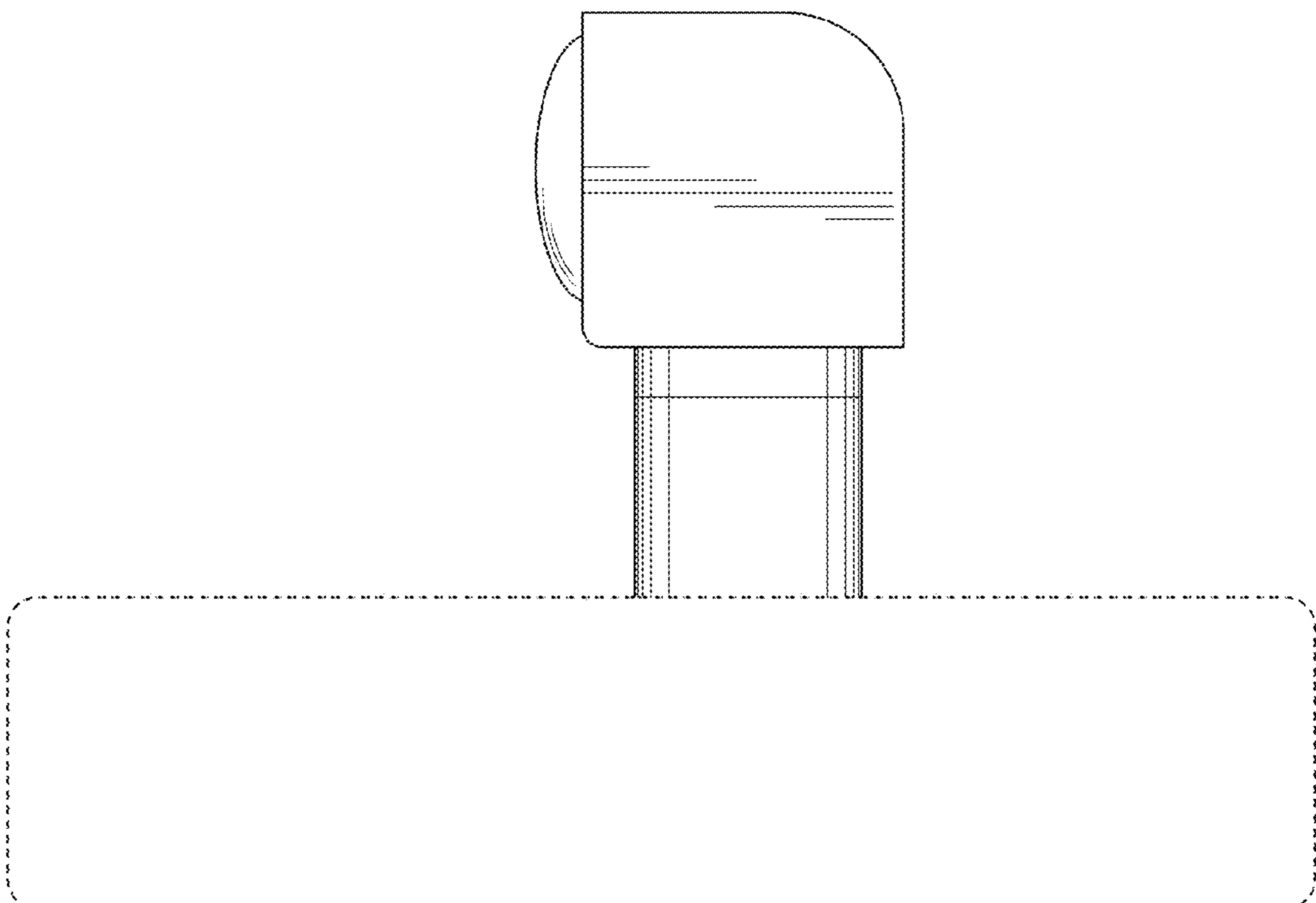


FIG. 37

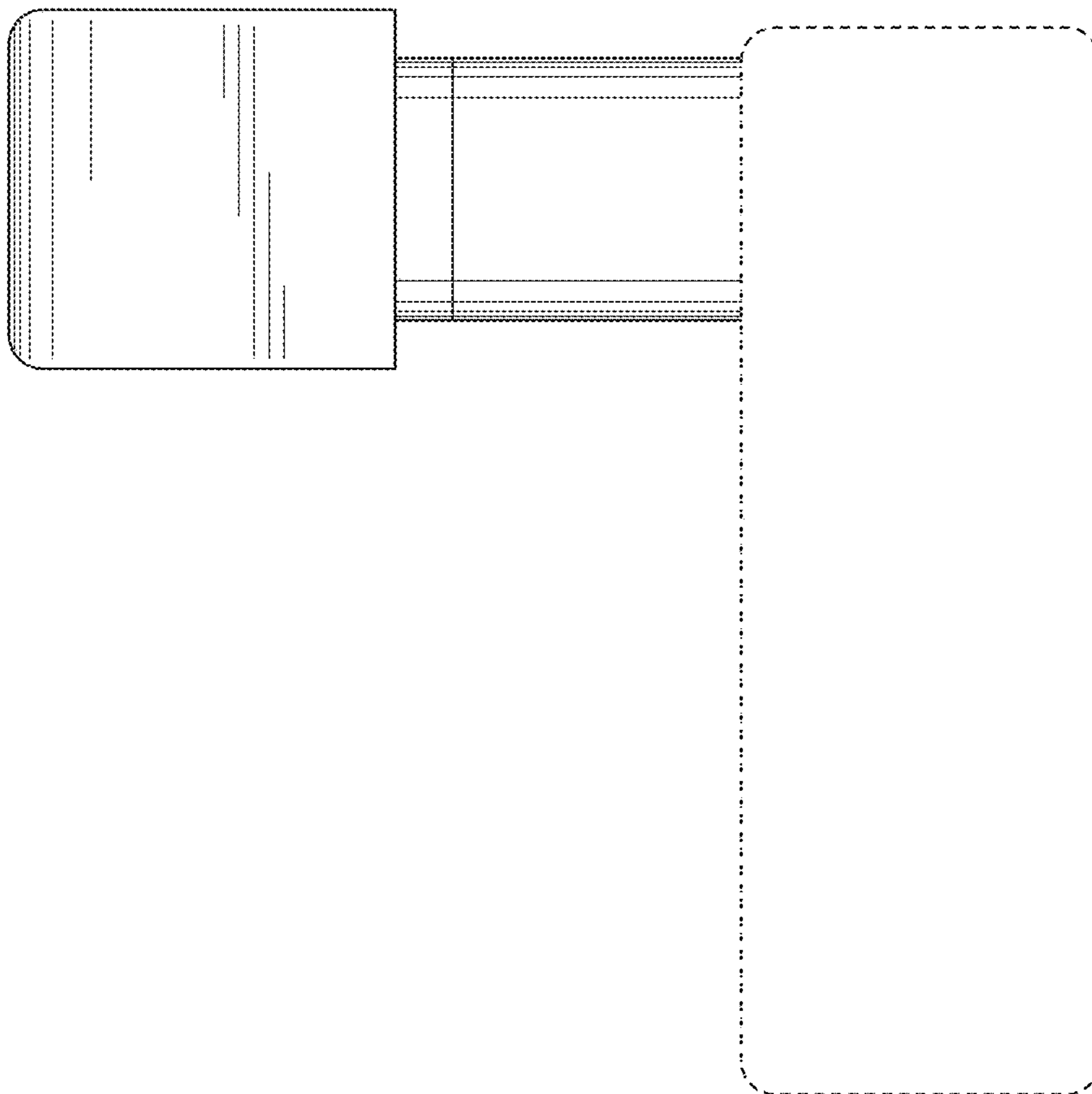


FIG. 38

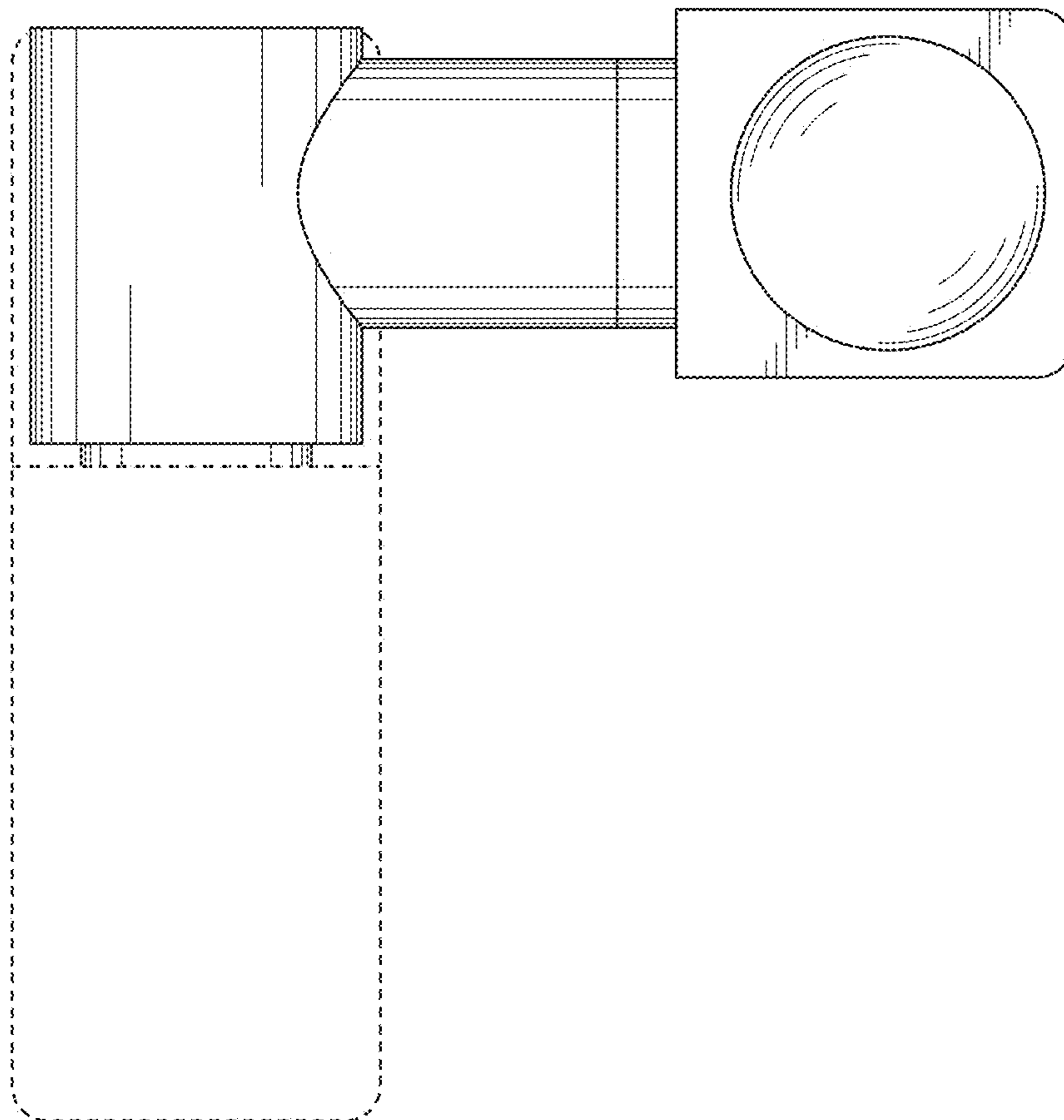


FIG. 39

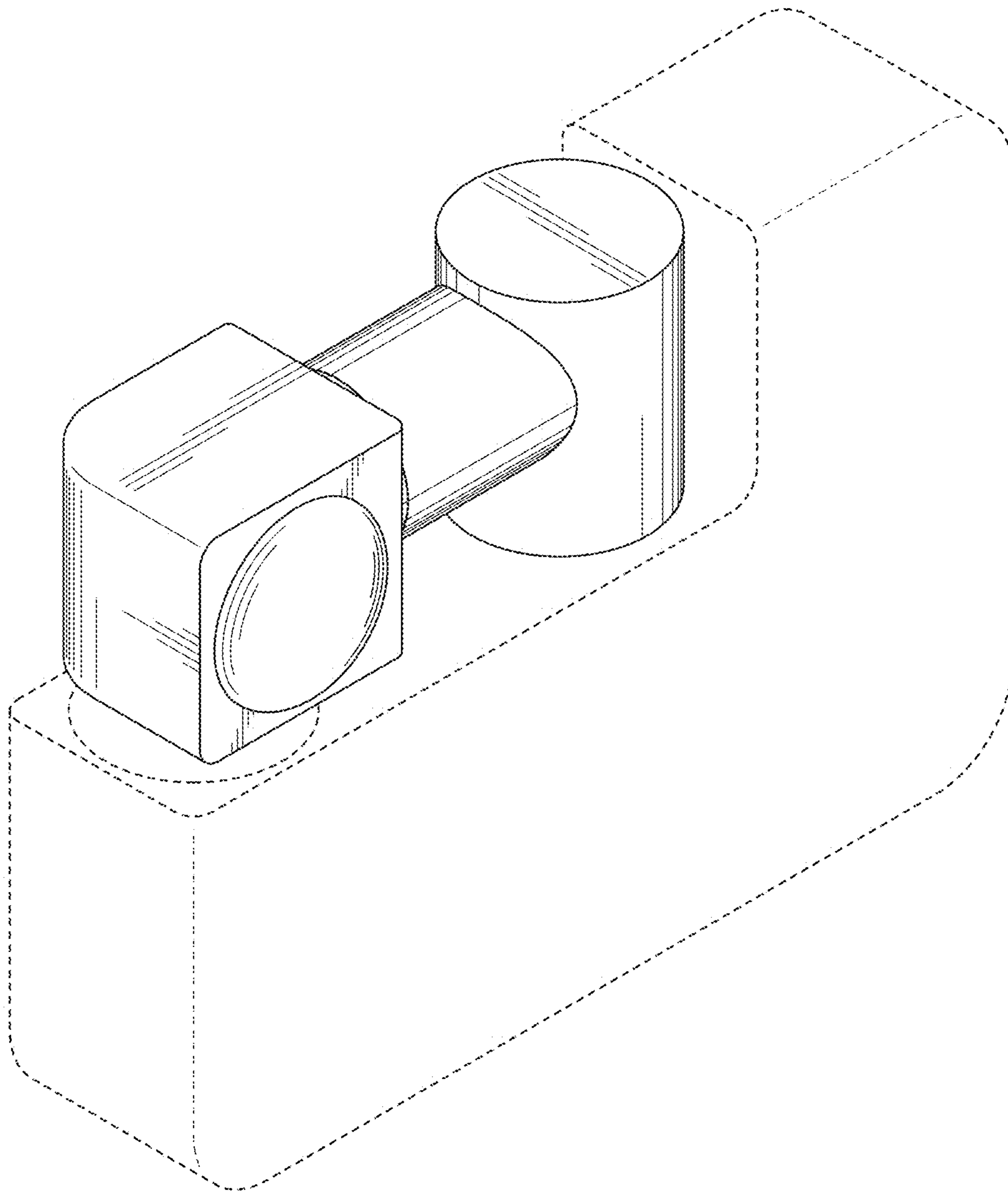


FIG. 40

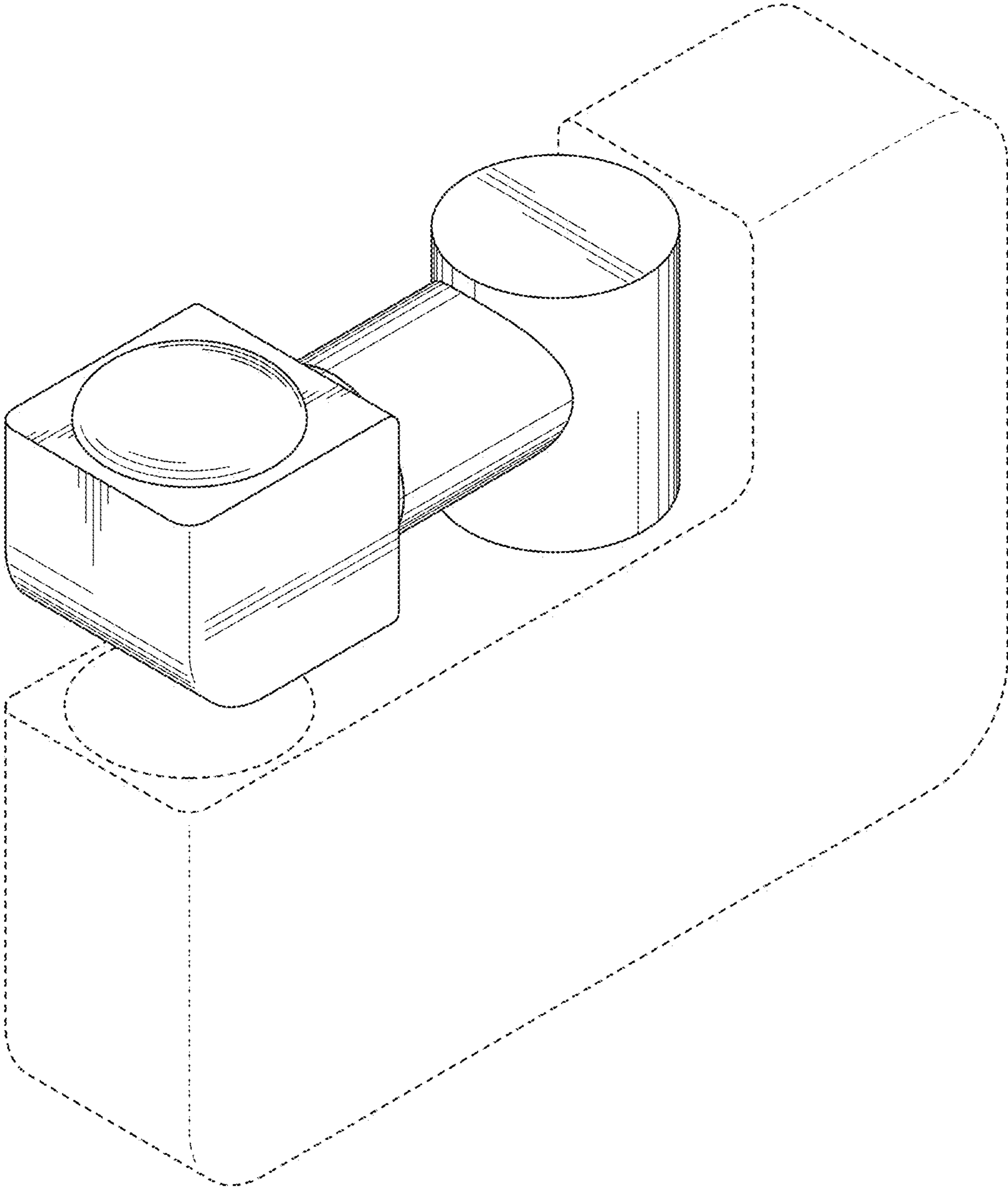


FIG. 41

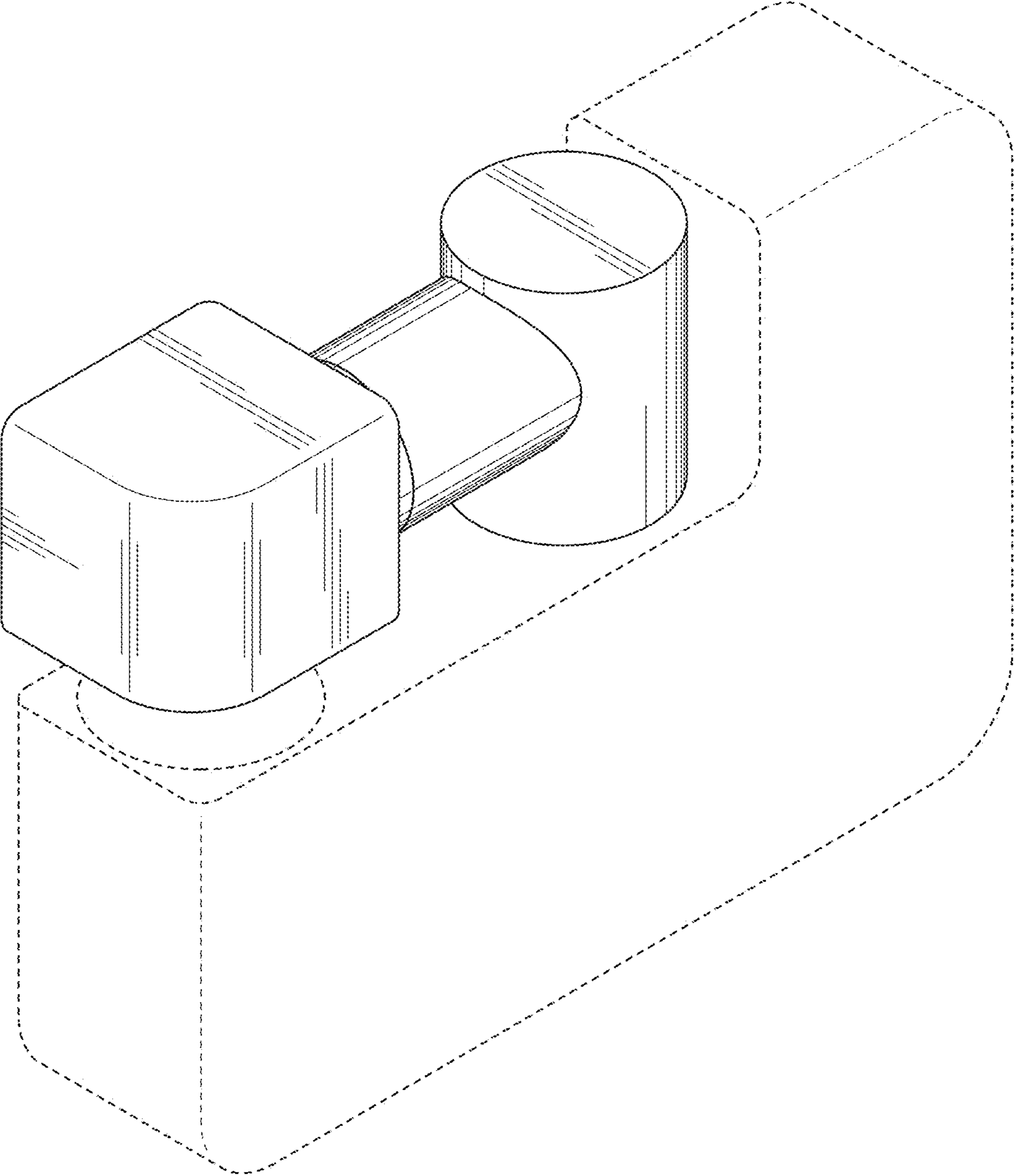


FIG. 42

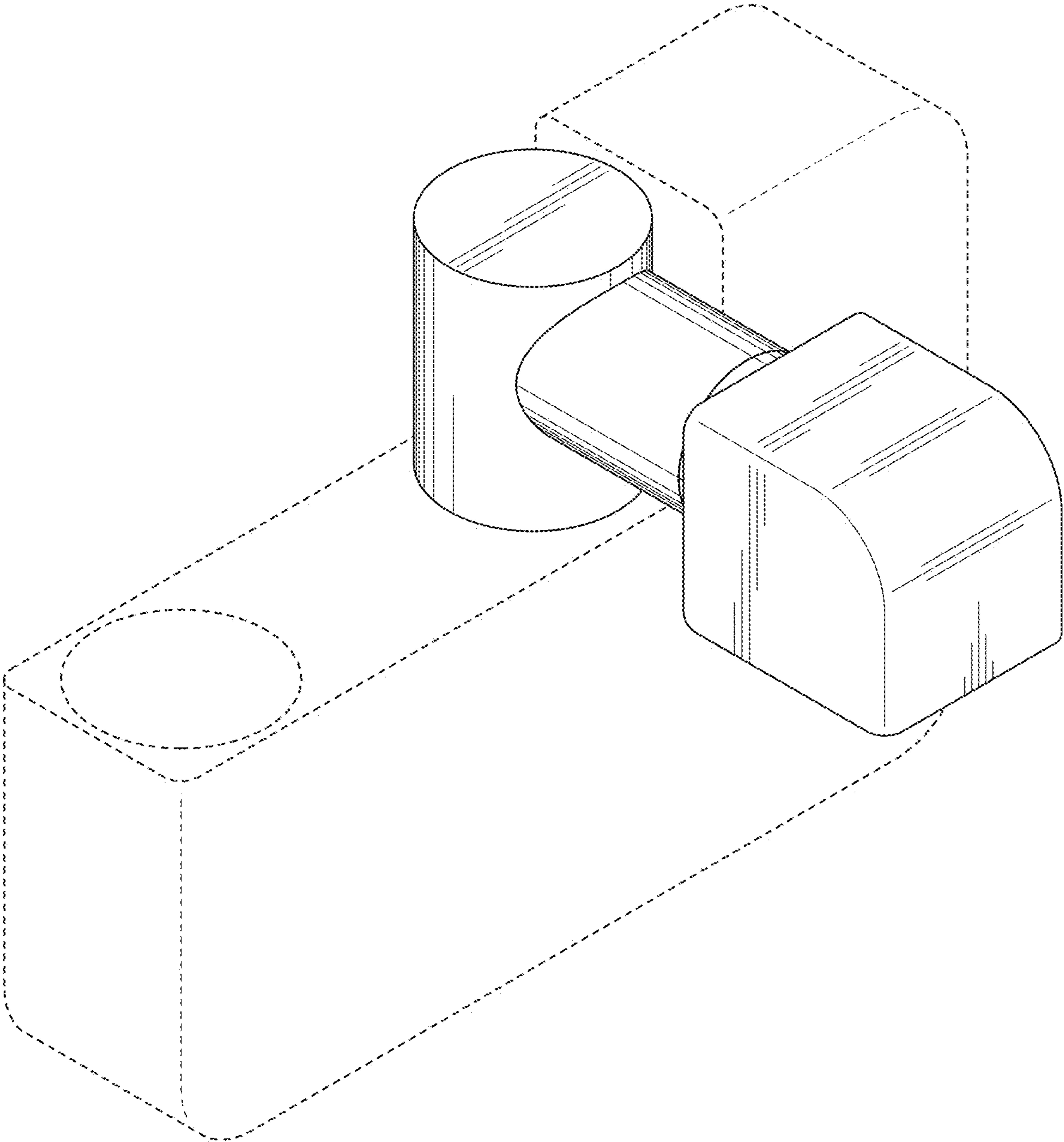


FIG. 43

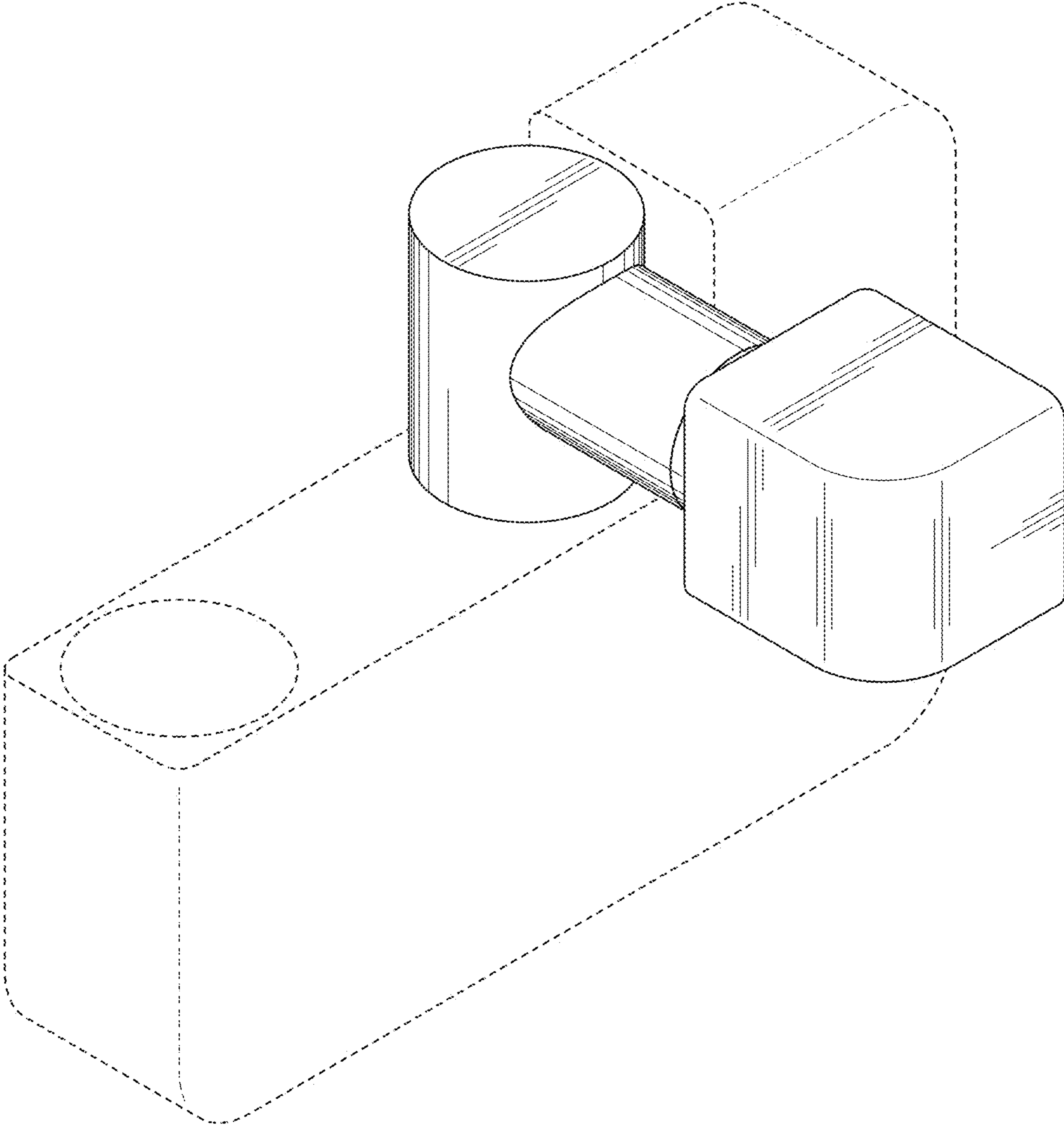


FIG. 44

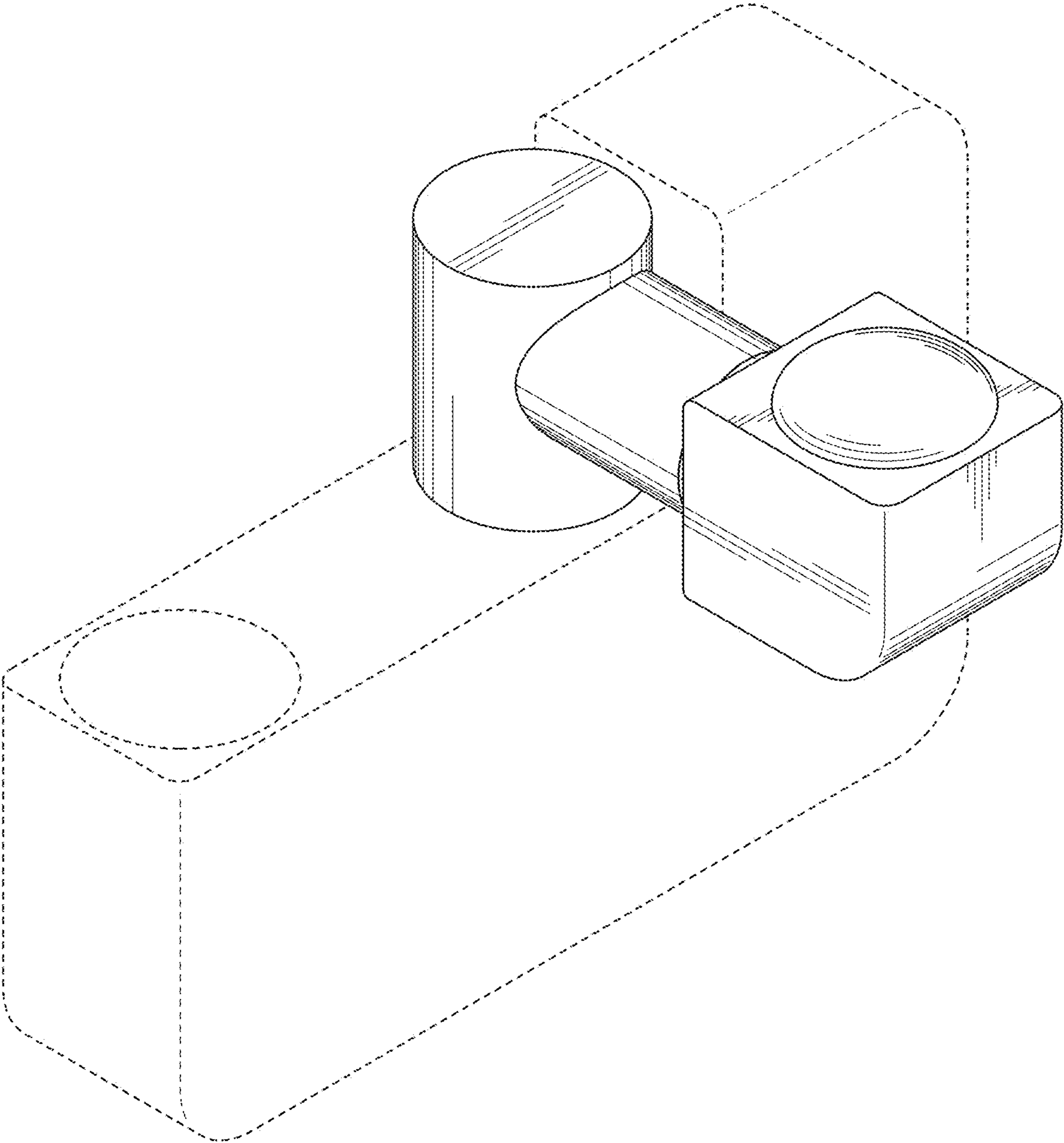


FIG. 45

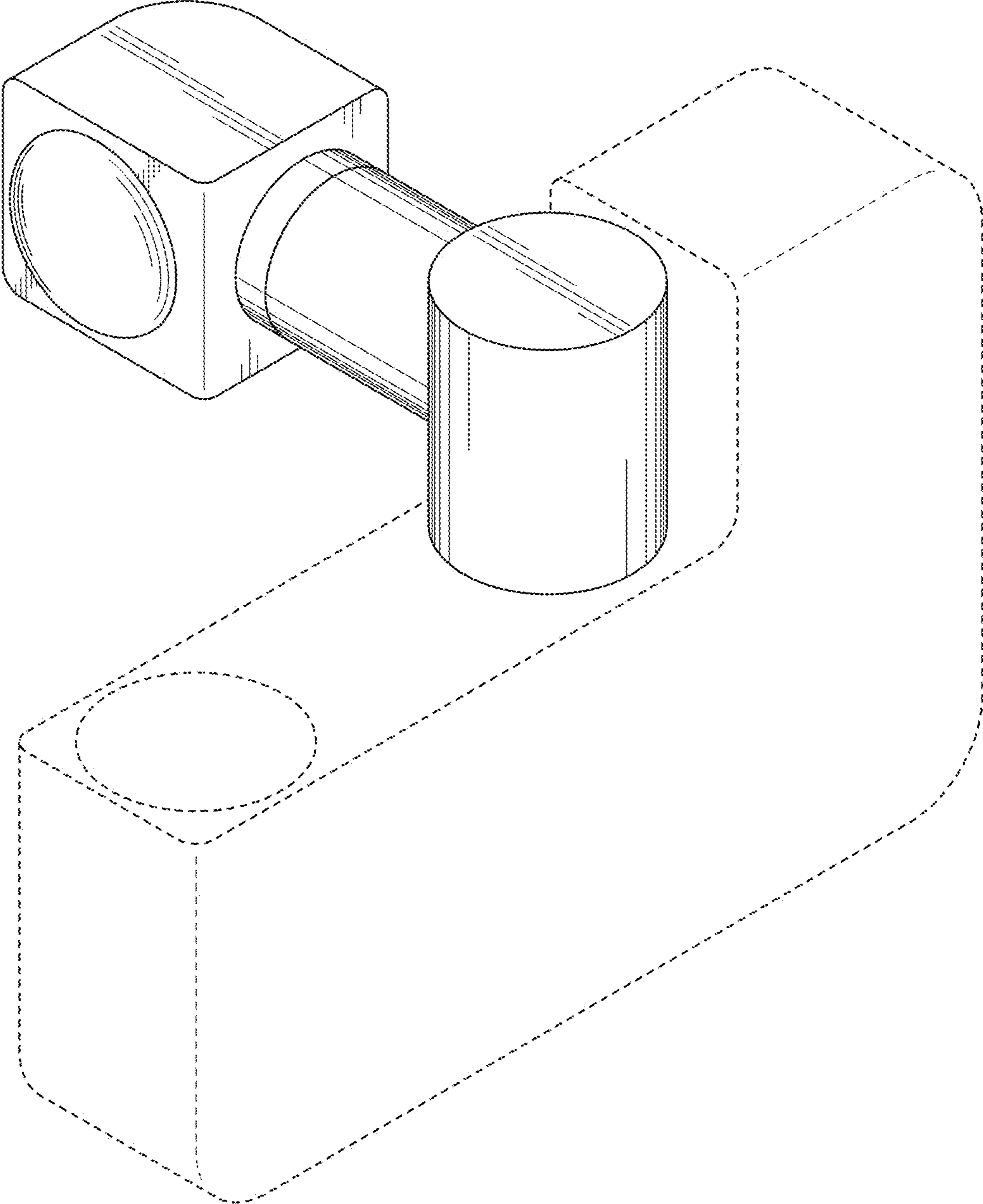


FIG. 46

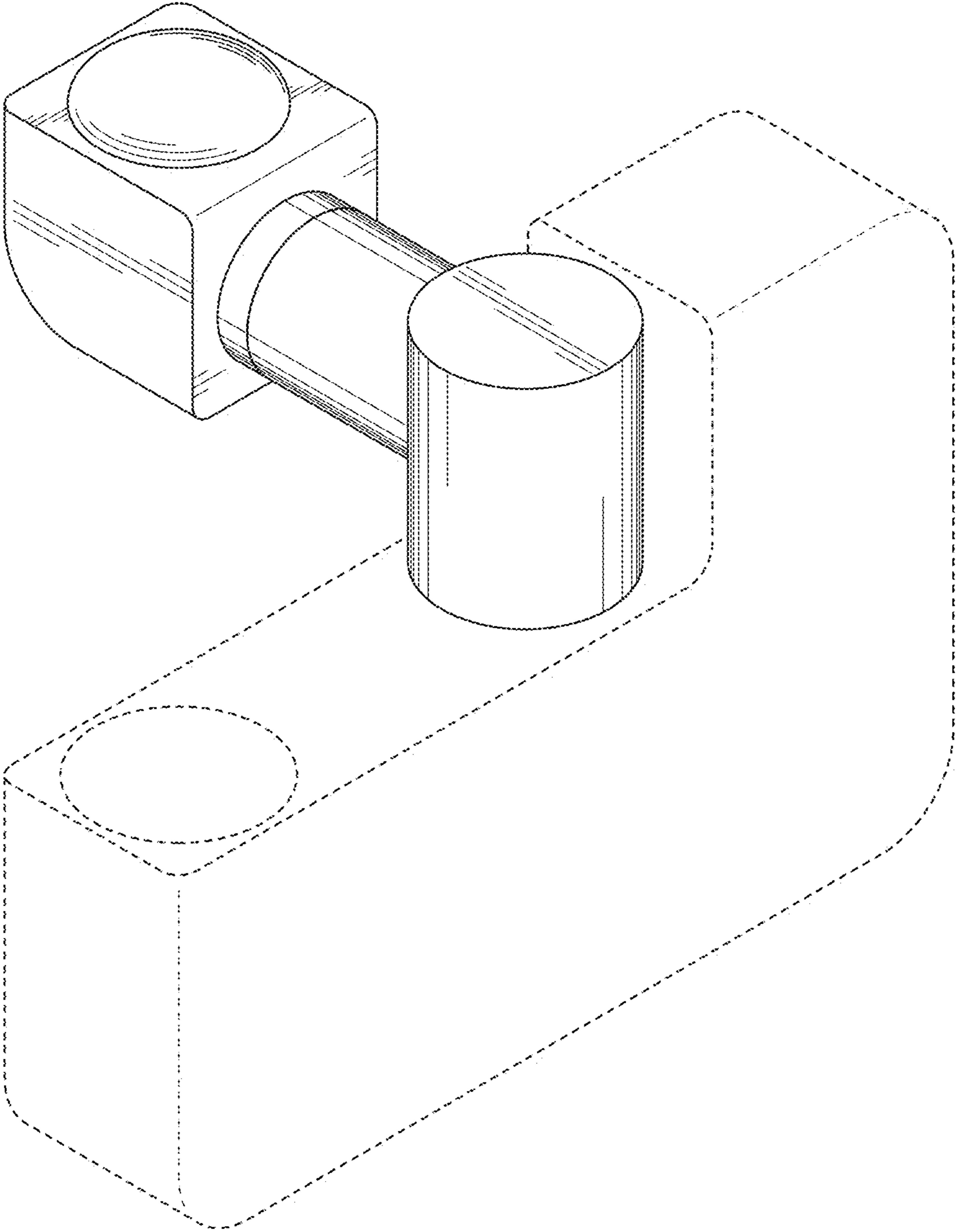


FIG. 47

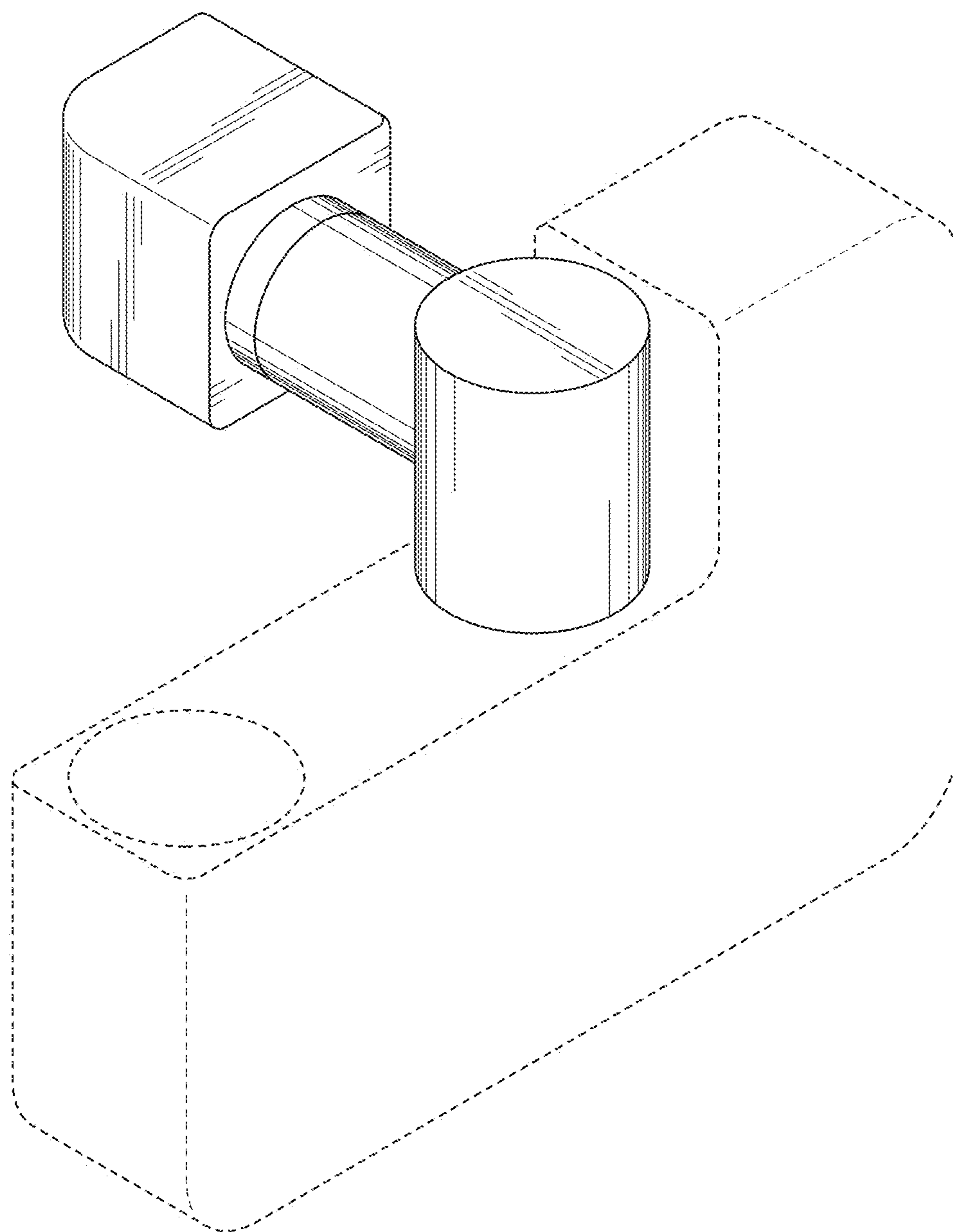


FIG. 48

