

US00D877795S

(12) **United States Design Patent**  
**Tanaka et al.**

(10) **Patent No.:** **US D877,795 S**  
(45) **Date of Patent:** **\*\* Mar. 10, 2020**

(54) **PROJECTOR**

- (71) Applicant: **FUJIFILM Corporation**, Tokyo (JP)
- (72) Inventors: **Kunihiko Tanaka**, Saitama (JP); **Koji Yoshida**, Saitama (JP)
- (73) Assignee: **FUJIFILM Corporation**, Tokyo (JP)

(\*\*) Term: **15 Years**

(21) Appl. No.: **29/674,137**

(22) Filed: **Dec. 19, 2018**

(30) **Foreign Application Priority Data**

Jul. 13, 2018 (JP) ..... 2018-015516

(51) **LOC (12) Cl.** ..... **16-02**

(52) **U.S. Cl.**  
USPC ..... **D16/235**

(58) **Field of Classification Search**  
USPC ..... D16/221, 225, 229-231, 203, 208;  
353/119, 122  
CPC .... G03B 21/00; G03B 21/001; G03B 21/003;  
G03B 21/12; G03B 21/14; G03B 21/142;  
G03B 21/145; G03B 21/16  
See application file for complete search history.

(56) **References Cited**

U.S. PATENT DOCUMENTS

D113,515 S *	2/1939	Kurtz et al.	.....	D16/221
D212,309 S *	9/1968	Ralke	.....	D16/235
D300,535 S *	4/1989	Sable	.....	D16/221
D352,304 S *	11/1994	Zavracky	.....	D16/235
D353,390 S *	12/1994	Zavracky	.....	D16/235
D371,564 S *	7/1996	Sunada	.....	D16/221
D421,269 S *	2/2000	Murakami	.....	D16/225
6,604,831 B1 *	8/2003	Prestigomo	.....	G03B 23/00 353/119
D569,408 S *	5/2008	Solomon	.....	D16/229
7,670,012 B2 *	3/2010	Solomon	.....	G03B 21/30 353/119
7,901,084 B2 *	3/2011	Willey	.....	G03B 21/145 353/122
2007/0195294 A1 *	8/2007	Willey	.....	G03B 21/145 353/119

FOREIGN PATENT DOCUMENTS

JP	1613726 S	11/2018
JP	1618899 S	11/2018
JP	1635607 S	7/2019
JP	1635608 S	7/2019
JP	1635611 S	7/2019
JP	1635612 S	7/2019

OTHER PUBLICATIONS

An Office Action mailed by the Japanese Patent Office dated Jul. 17, 2019, which corresponds to Japanese Design Application No. 2018-015516 and is related to Design U.S. Appl. No. 29/674,137; with English language translation.

\* cited by examiner

*Primary Examiner* — Wan Laymon

(74) *Attorney, Agent, or Firm* — Studebaker & Brackett PC

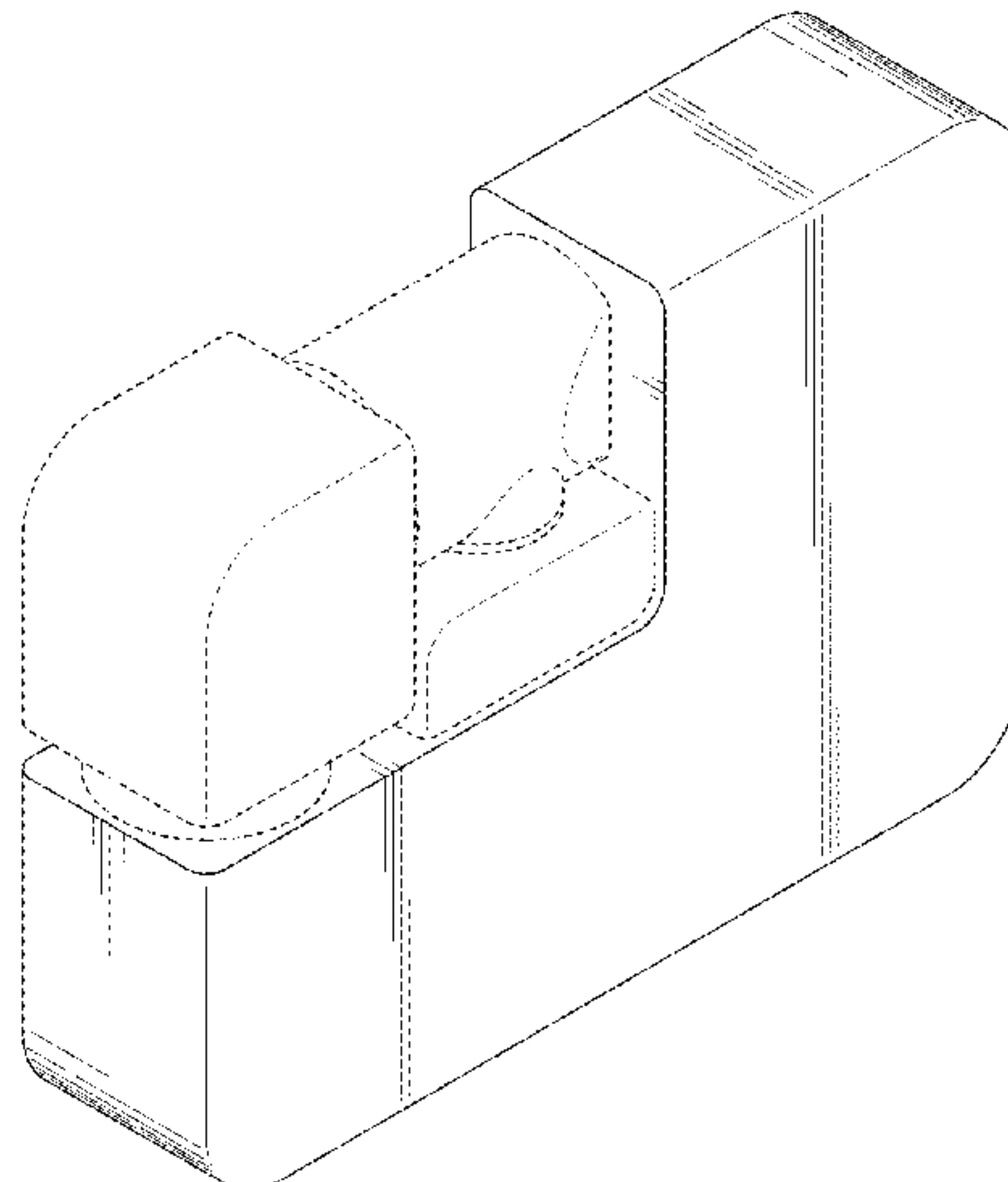
(57) **CLAIM**

The ornamental design for a projector, as shown and described.

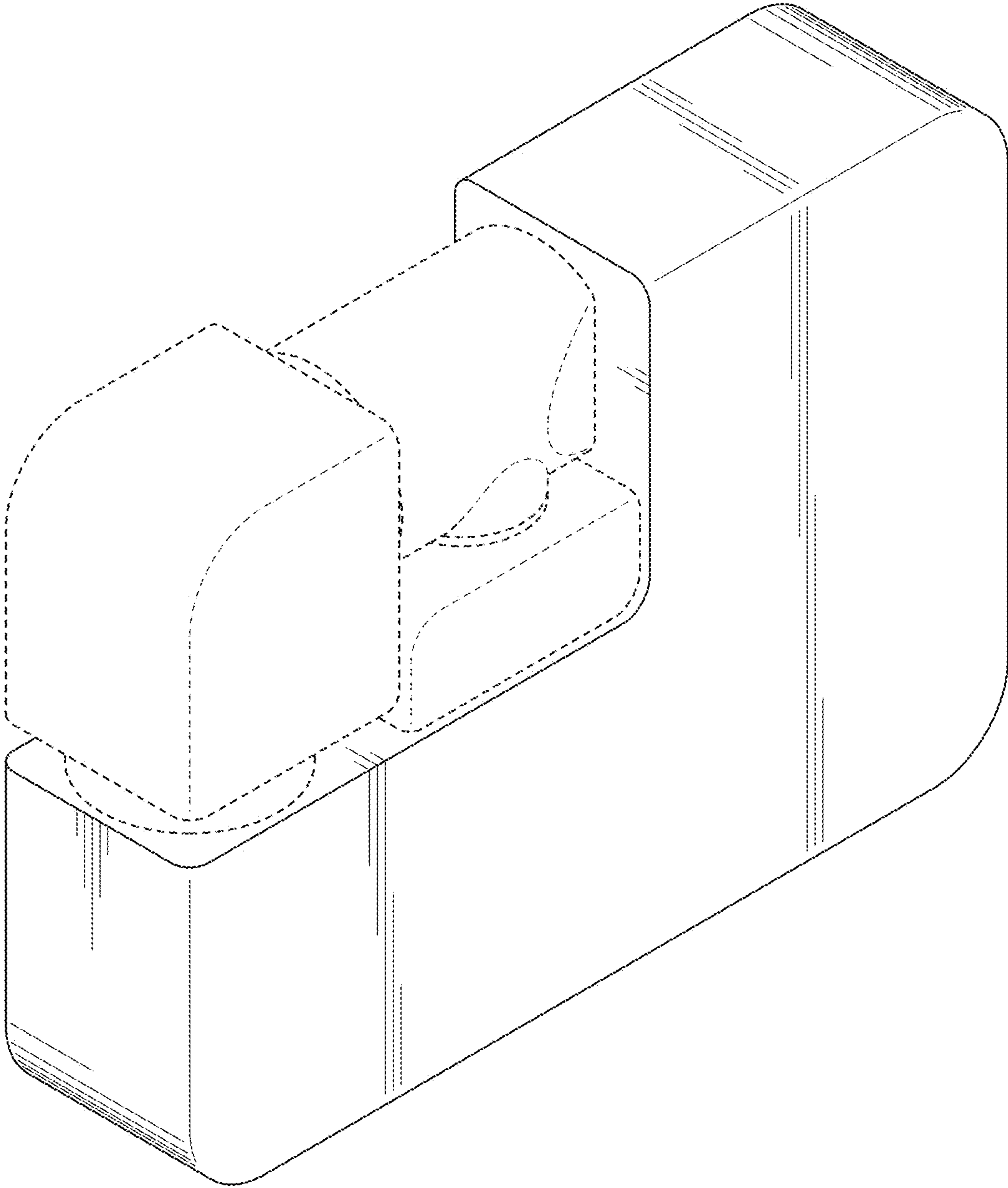
**DESCRIPTION**

FIG. 1 is a top left perspective view of a projector showing our new design;  
 FIG. 2 is a front view thereof;  
 FIG. 3 is a rear view thereof;  
 FIG. 4 is a top plan view thereof;  
 FIG. 5 is a bottom plan view thereof;  
 FIG. 6 is a right side view thereof; and,  
 FIG. 7 is a left side view thereof.  
 The broken lines illustrate portions of the projector and form no part of the claimed design.

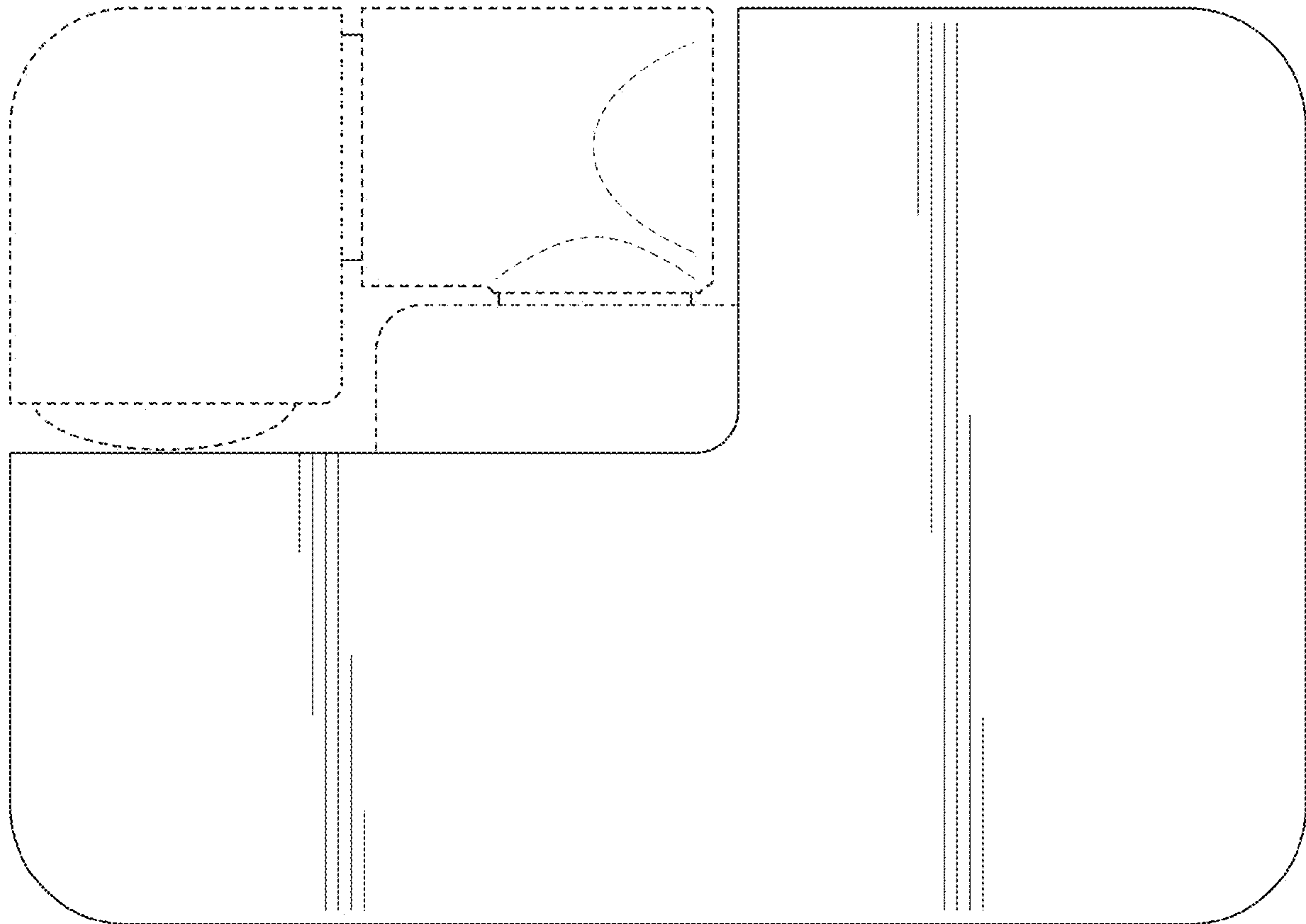
**1 Claim, 6 Drawing Sheets**



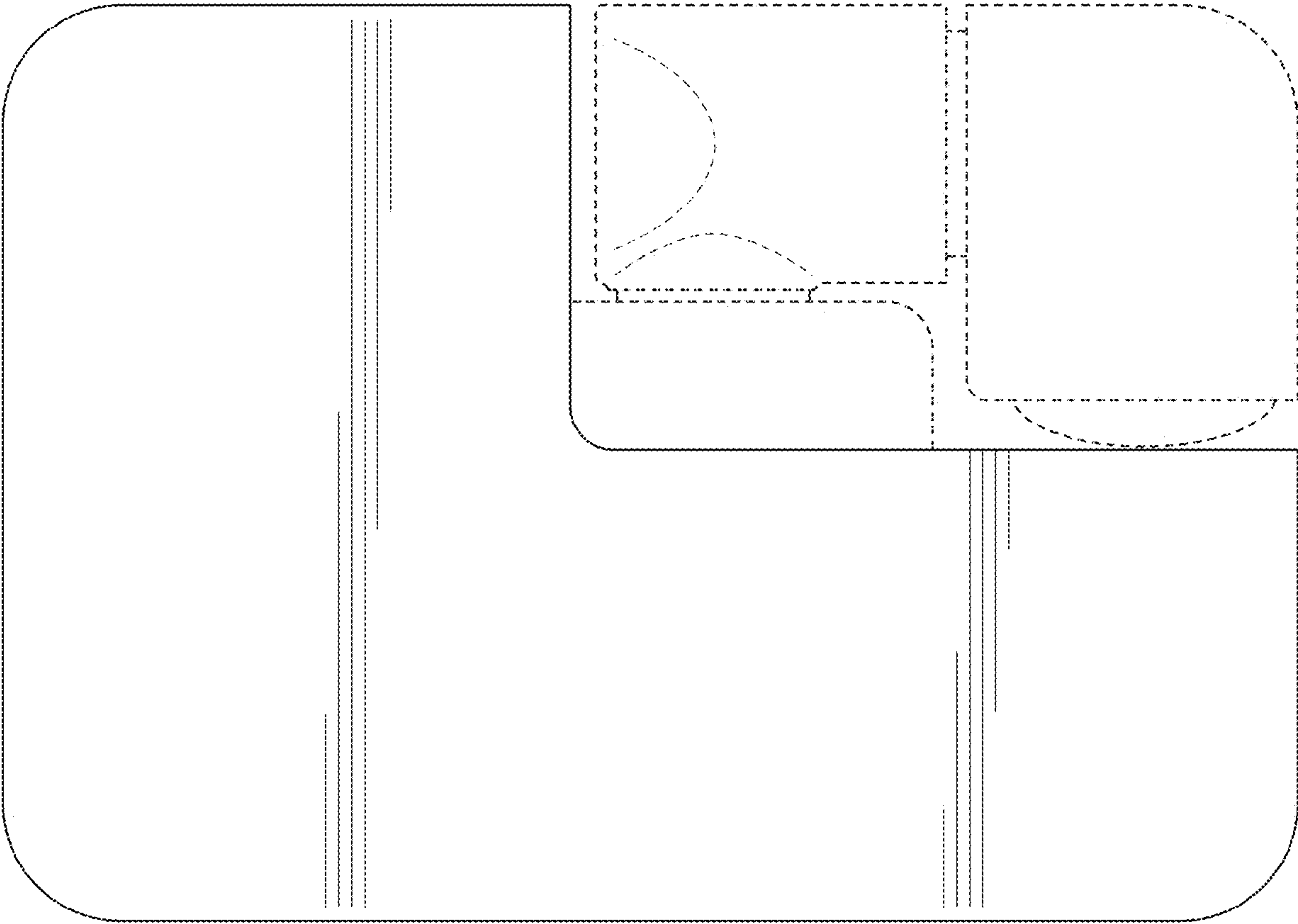
**FIG. 1**



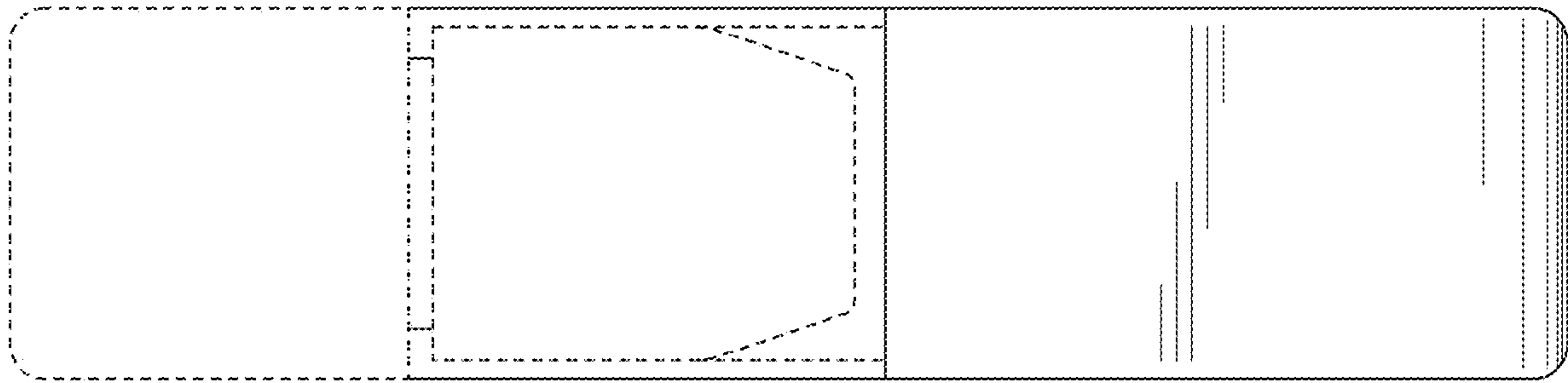
**FIG. 2**



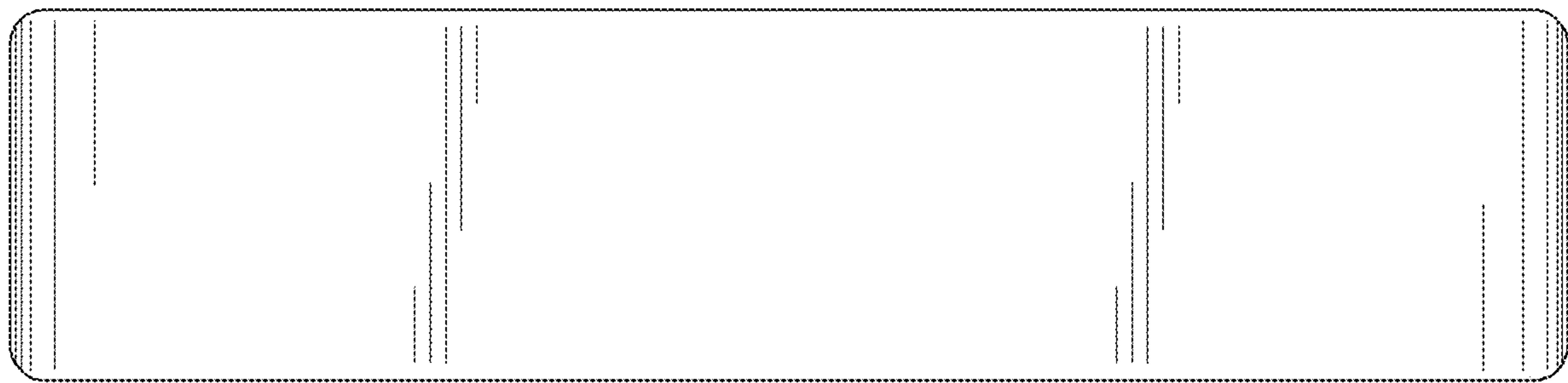
**FIG. 3**



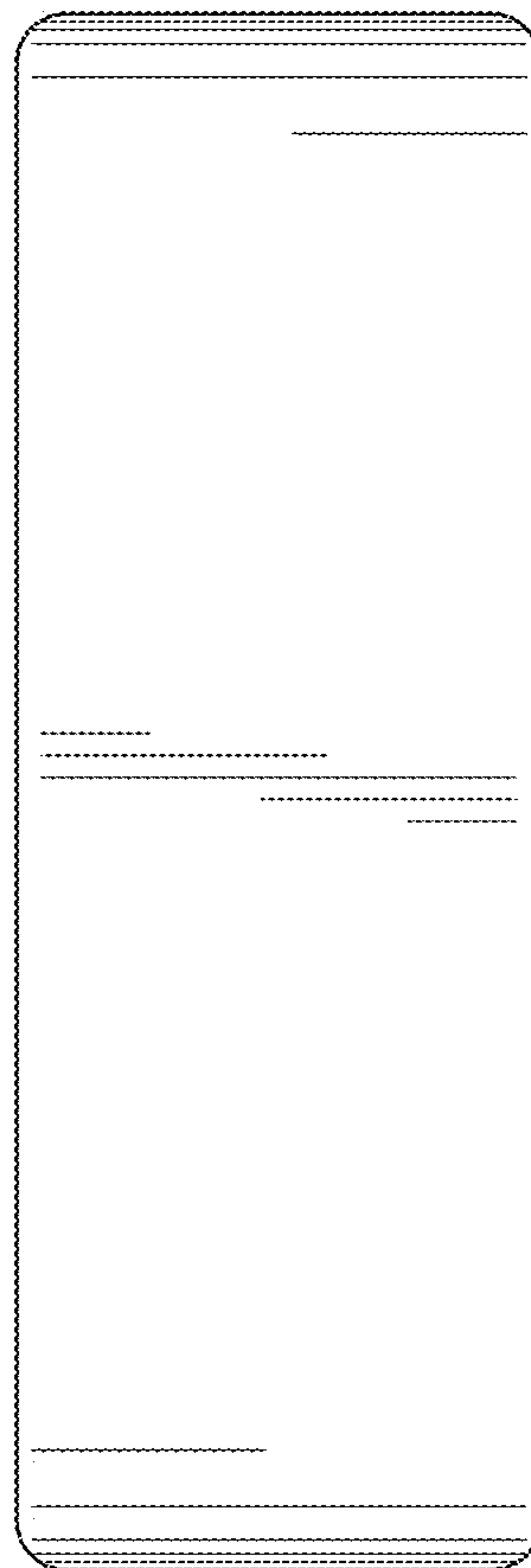
**FIG. 4**



**FIG. 5**



**FIG. 6**



**FIG. 7**

