



US00D877794S

(12) **United States Design Patent** (10) **Patent No.:** **US D877,794 S**
Tanaka et al. (45) **Date of Patent:** **** Mar. 10, 2020**

(54) **PROJECTOR**

(71) Applicant: **FUJIFILM Corporation**, Tokyo (JP)

(72) Inventors: **Kunihiko Tanaka**, Saitama (JP); **Koji Yoshida**, Saitama (JP)

(73) Assignee: **FUJIFILM Corporation**, Tokyo (JP)

(**) Term: **15 Years**

(21) Appl. No.: **29/659,323**

(22) Filed: **Aug. 8, 2018**

(30) **Foreign Application Priority Data**

Feb. 9, 2018 (JP) 2018-002727

(51) **LOC (12) Cl.** **16-02**

(52) **U.S. Cl.**
USPC **D16/229; D16/225**

(58) **Field of Classification Search**
USPC D16/221, 225, 229-231, 234-235, 208,
D16/219, 200, 201-203, 134, 136-137;
D21/514; 353/101, 115, 119, 122
(Continued)

(56) **References Cited**

U.S. PATENT DOCUMENTS

3,100,427 A * 8/1963 Lehmann G03G 15/221
D16/225
D364,416 S * 11/1995 Saeki D16/221
(Continued)

Primary Examiner — Wan Laymon

(74) *Attorney, Agent, or Firm* — Birch, Stewart, Kolasch & Birch, LLP

(57) **CLAIM**

The ornamental design for a projector, as shown and described.

DESCRIPTION

FIG. 1 is a left perspective view of a projector showing our new design;

FIG. 2 is a front view thereof;
FIG. 3 is a rear view thereof;
FIG. 4 is a top plan view thereof;
FIG. 5 is a bottom plan view thereof;
FIG. 6 is a right side view thereof;
FIG. 7 is a left side view thereof;
FIG. 8 is a left perspective view of a projector illustrating the situation that a lens barrier cylinder rises, showing our new design;
FIG. 9 is a front view thereof;
FIG. 10 is a left side view thereof;
FIG. 11 is a left perspective view of a projector illustrating the situation that a cover is moved backward, showing our new design;
FIG. 12 is a front view thereof;
FIG. 13 is a rear view thereof;
FIG. 14 is a top plan view thereof;
FIG. 15 is a bottom plan view thereof;
FIG. 16 is a right side view thereof;
FIG. 17 is a left side view thereof;
FIG. 18 is a left perspective view of a projector illustrating the situation that a handle is drawn upward, showing our new design;
FIG. 19 is a front view thereof;
FIG. 20 is a rear view thereof;
FIG. 21 is a top plan view thereof;
FIG. 22 is a bottom plan view thereof;
FIG. 23 is a right side view thereof;
FIG. 24 is a left side view thereof;
FIG. 25 is a left perspective view of a projector illustrating the situation that a lens is directed to first direction, showing our new design;
FIG. 26 is a front view thereof;
FIG. 27 is a rear view thereof;
FIG. 28 is a top plan view thereof;
FIG. 29 is a bottom plan view thereof;
FIG. 30 is a right side view thereof;
FIG. 31 is a left side view thereof;
FIG. 32 is a left perspective view of a projector illustrating the situation that the lens is directed to second direction, showing our new design;

(Continued)

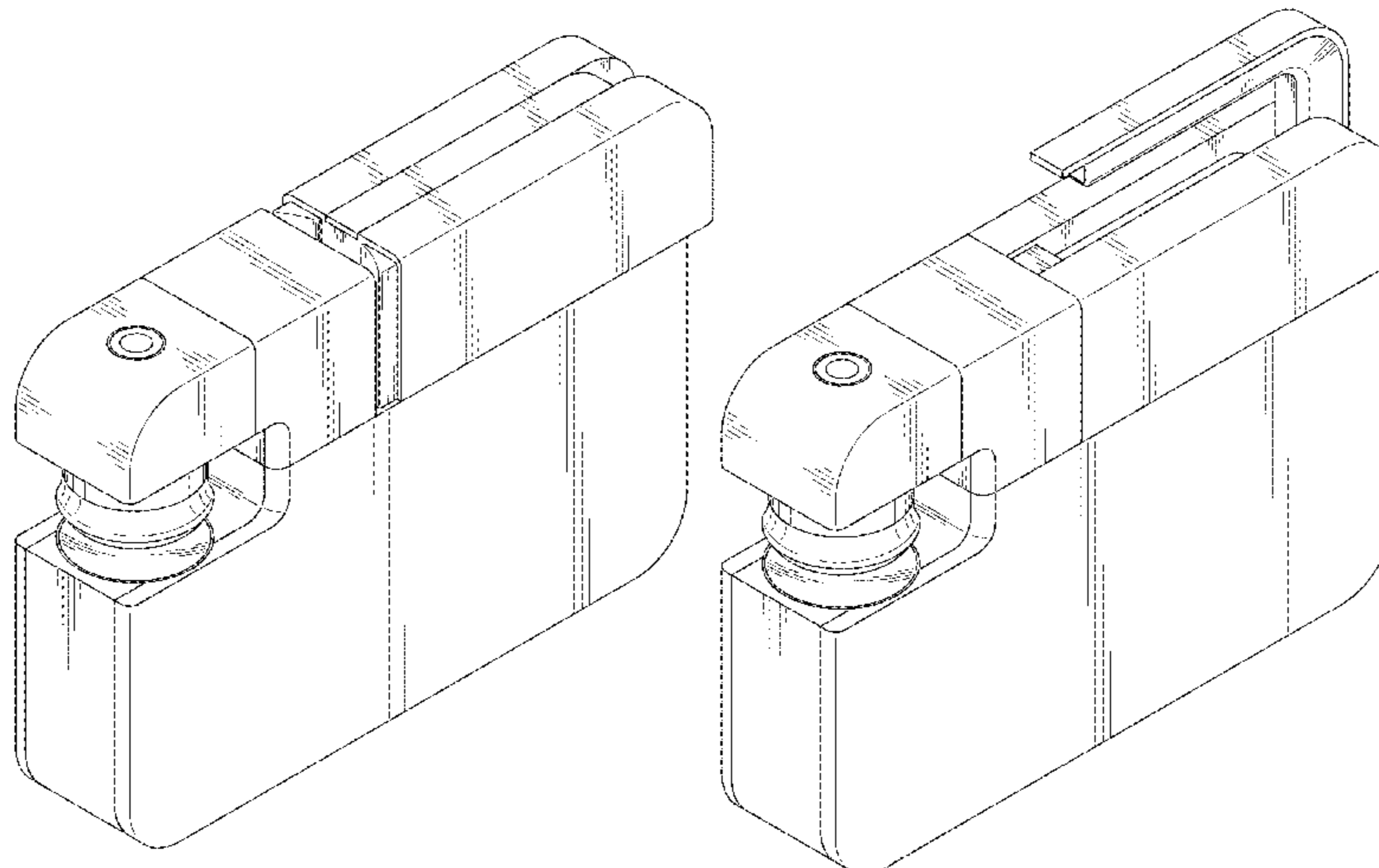


FIG. 33 is a left perspective view of a projector illustrating the situation that the lens is directed to third direction, showing our new design;

FIG. 34 is a left perspective view of a projector illustrating the situation that the lens is directed to fourth direction, showing our new design;

FIG. 35 is a left perspective view of a projector illustrating the situation that the lens is directed to fifth direction, showing our new design;

FIG. 36 is a left perspective view of a projector illustrating the situation that the lens is directed to sixth direction, showing our new design;

FIG. 37 is a left perspective view of a projector illustrating the situation that the lens is directed to seventh direction, showing our new design;

FIG. 38 is a left perspective view of a projector illustrating the situation that the lens is directed to eighth direction, showing our new design;

FIG. 39 is a left perspective view of a projector illustrating the situation that the lens is directed to ninth direction, showing our new design;

FIG. 40 is a left perspective view of a projector illustrating the situation that the lens is directed to tenth direction, showing our new design; and,

FIG. 41 is a left perspective view of a projector illustrating the situation that the lens is directed to eleventh direction, showing our new design.

1 Claim, 37 Drawing Sheets

(58) **Field of Classification Search**

CPC G03B 21/00; G03B 21/001; G03B 21/003;
G03B 21/12; G03B 21/14; G03B 21/142;
G03B 21/145

See application file for complete search history.

(56) **References Cited**

U.S. PATENT DOCUMENTS

| | | | | | | |
|--------------|----|---|---------|-----------|-------|----------------------|
| D371,564 | S | * | 7/1996 | Sunada | | D16/221 |
| D405,100 | S | * | 2/1999 | Suzuki | | D16/231 |
| D421,269 | S | * | 2/2000 | Murakami | | D16/225 |
| D433,048 | S | * | 10/2000 | Ikenaga | | D16/225 |
| D610,187 | S | * | 2/2010 | Kim | | D16/225 |
| D680,572 | S | * | 4/2013 | Morohoshi | | D16/225 |
| 2011/0242506 | A1 | * | 10/2011 | Uchiyama | | G03B 21/14 353/98 |

* cited by examiner

FIG. 1

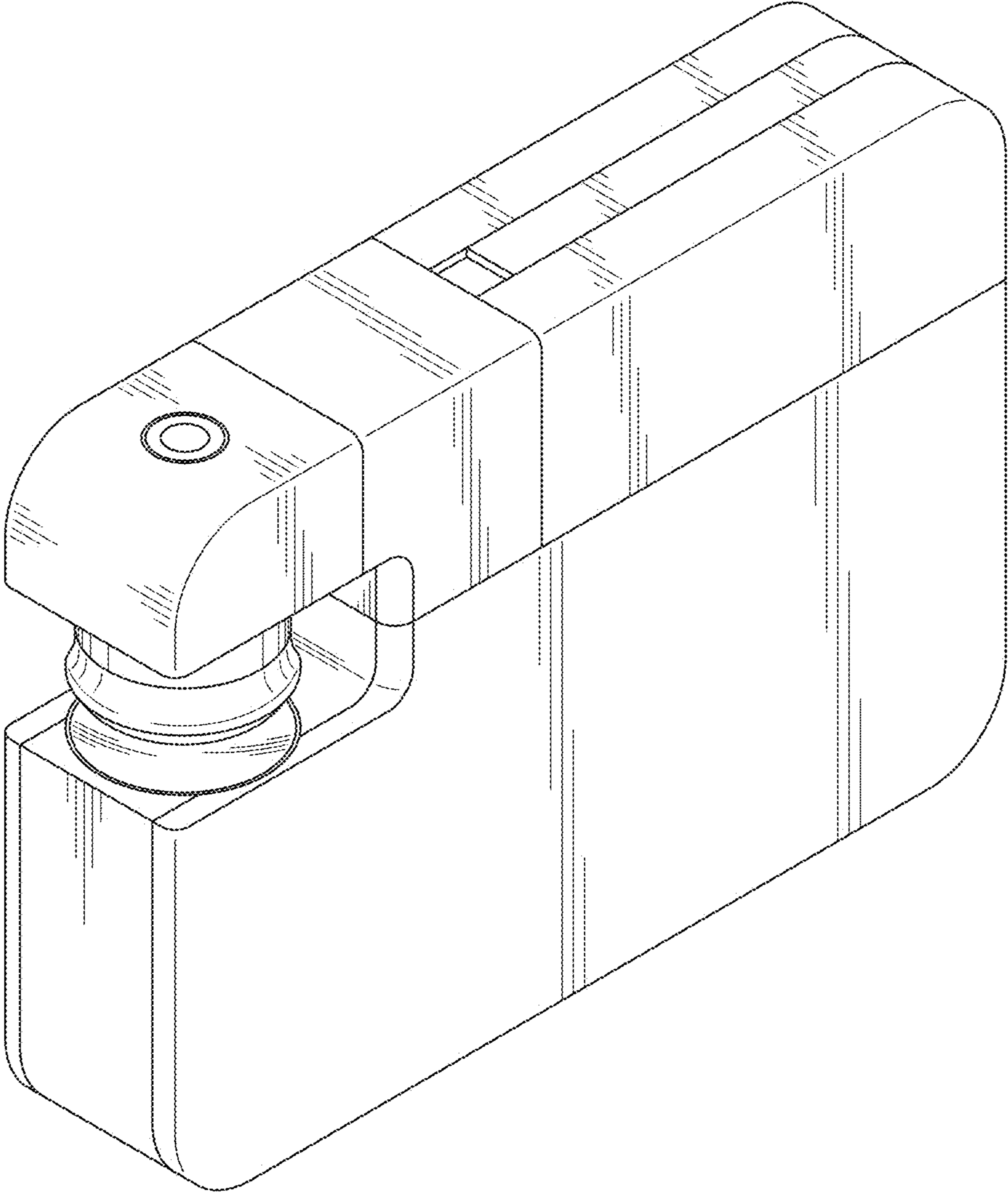


FIG. 2

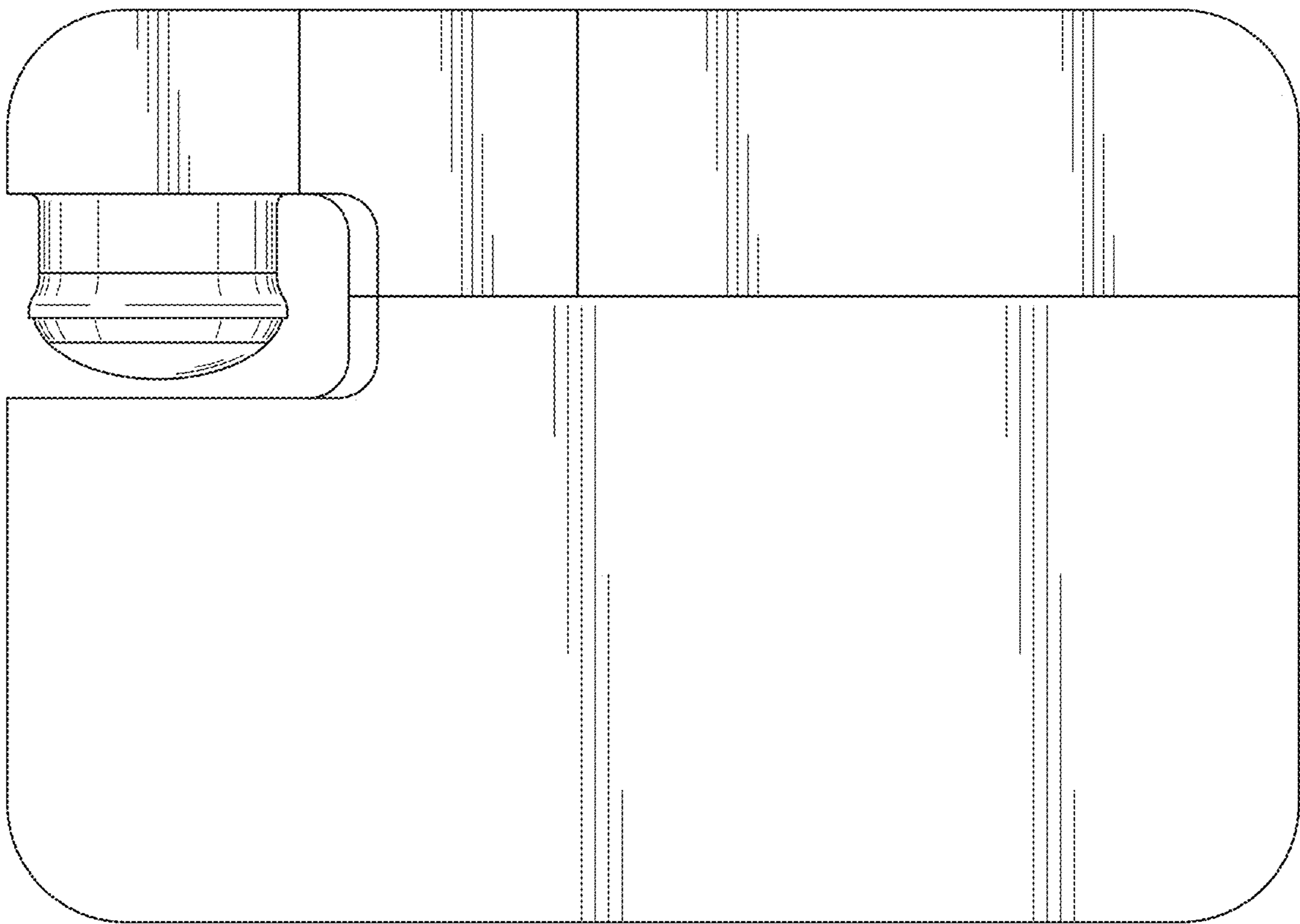


FIG. 3

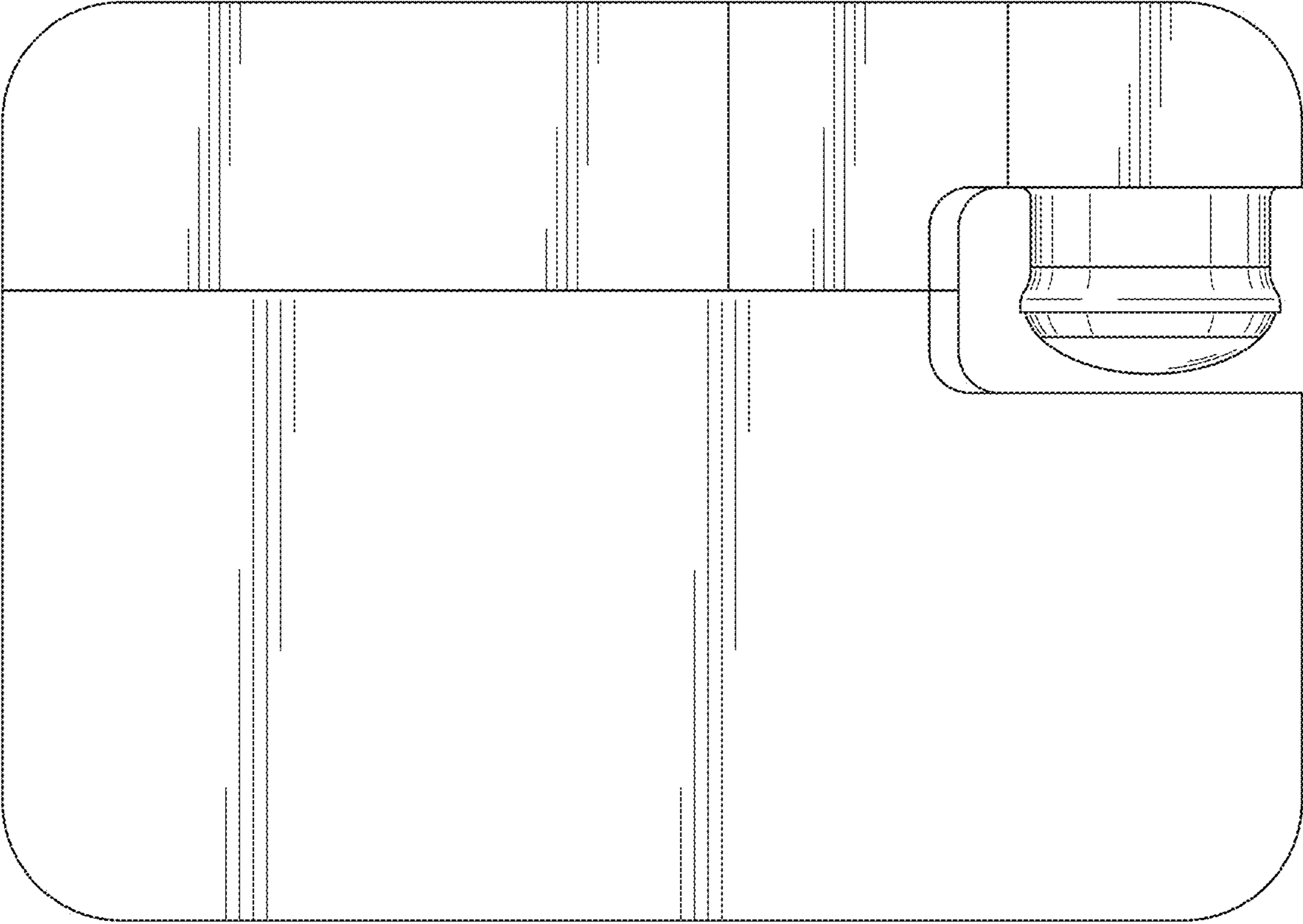


FIG. 4

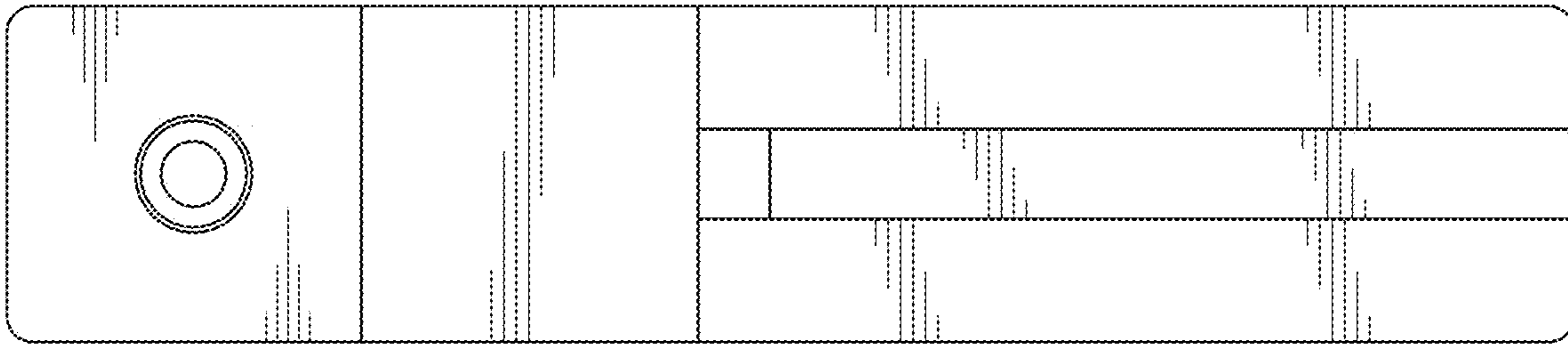


FIG. 5

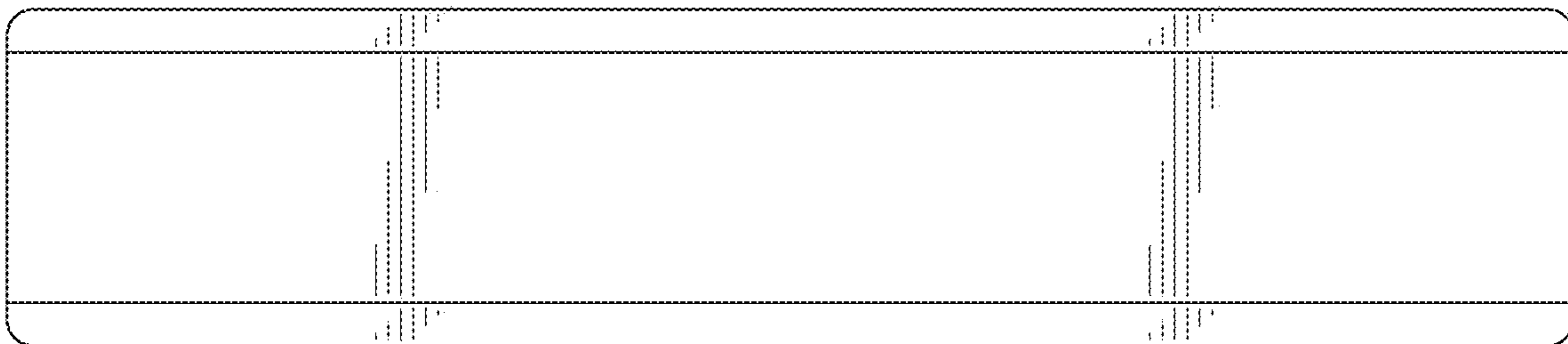


FIG. 6

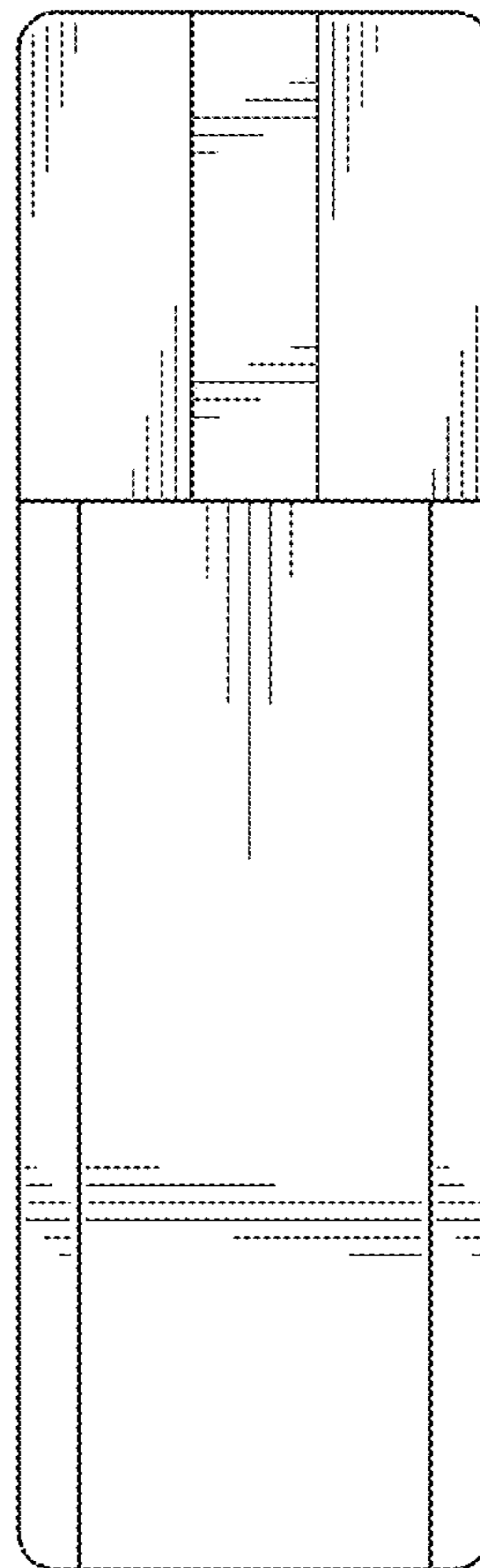


FIG. 7

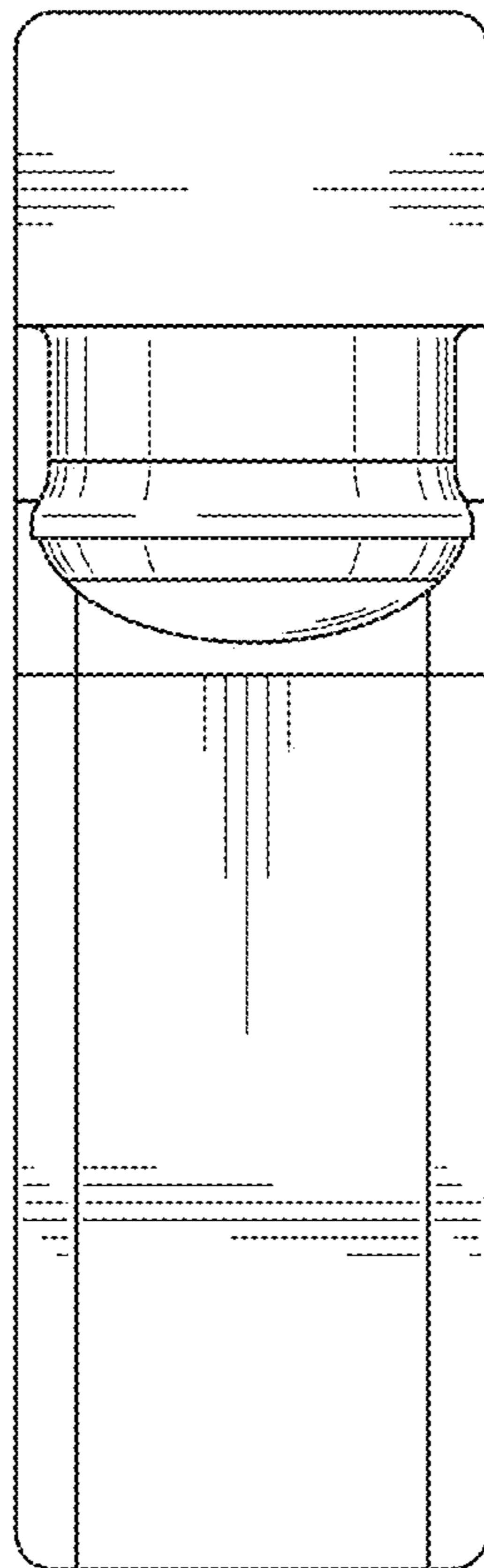


FIG. 8

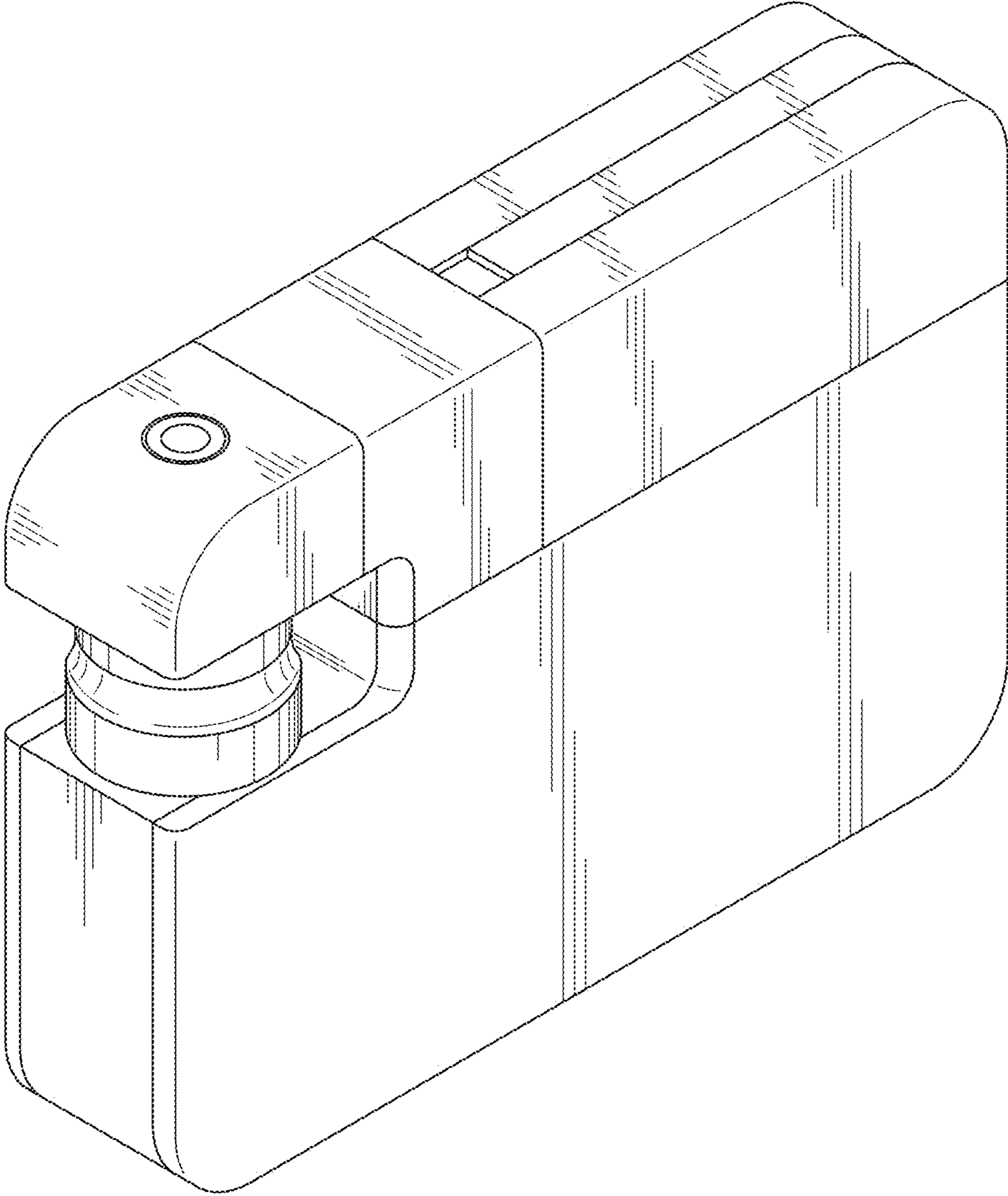


FIG. 9

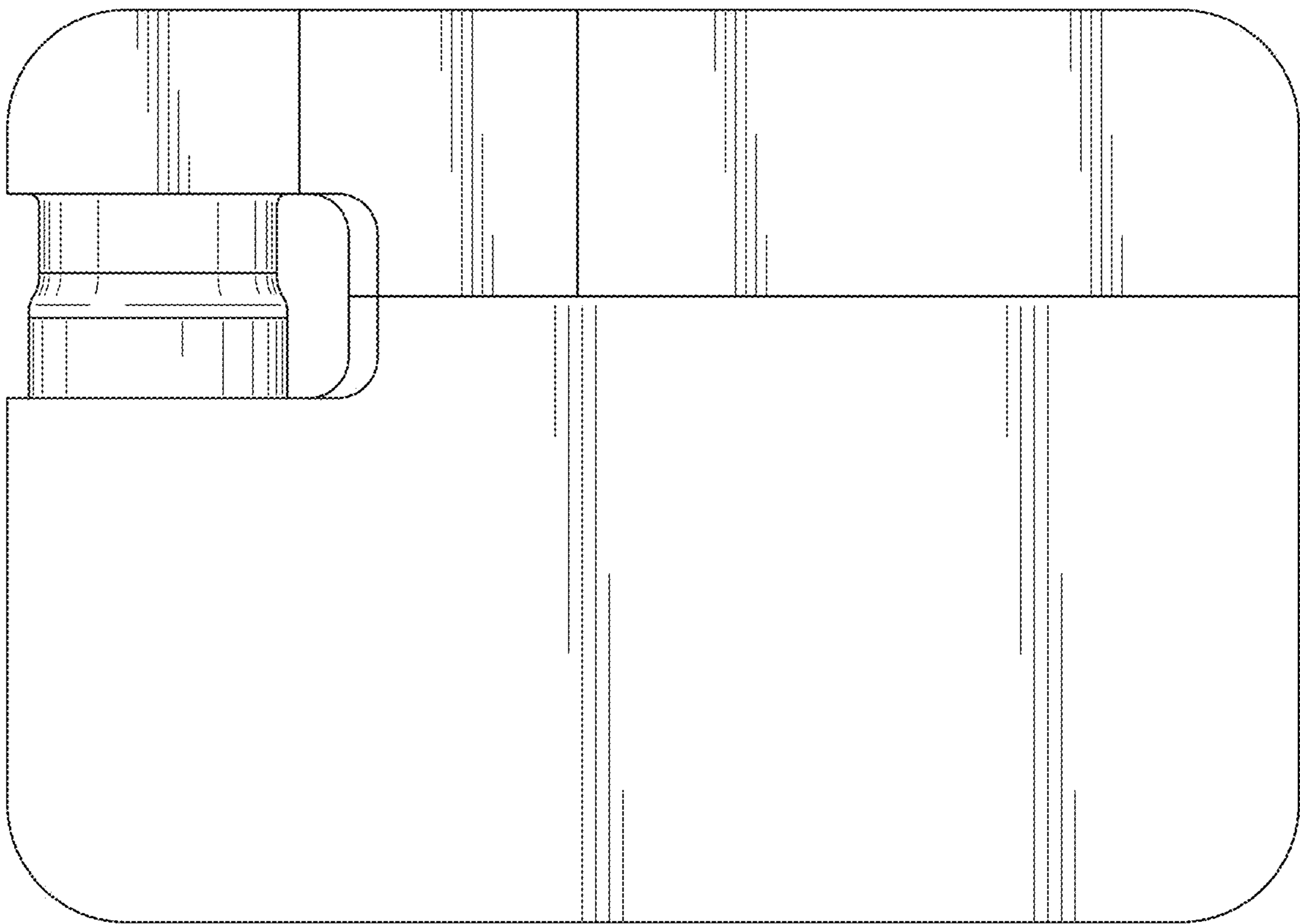


FIG. 10

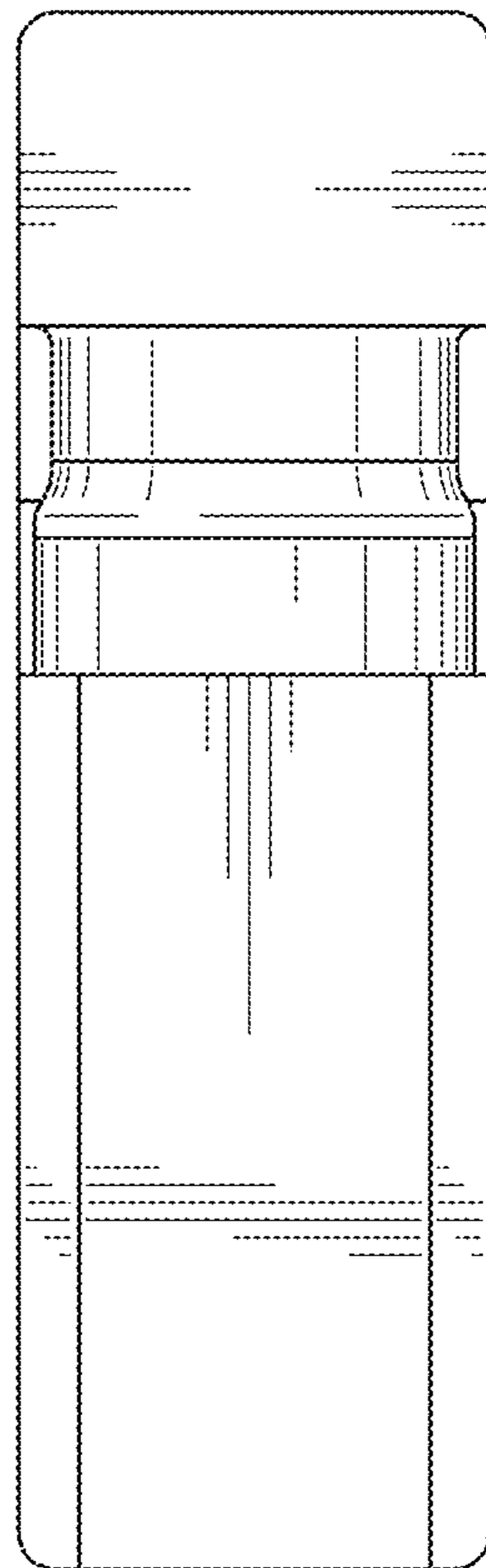


FIG. 11

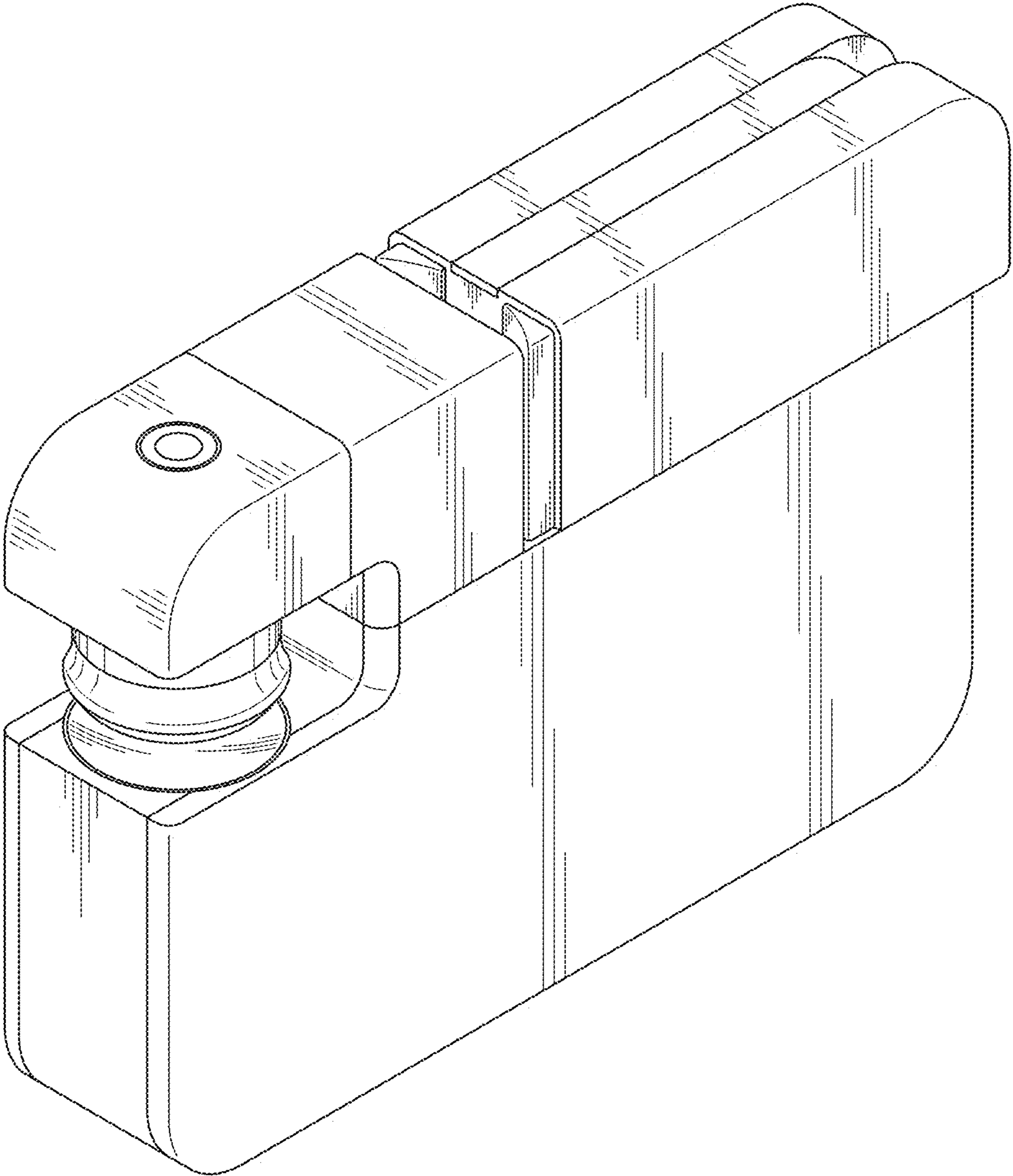


FIG. 12

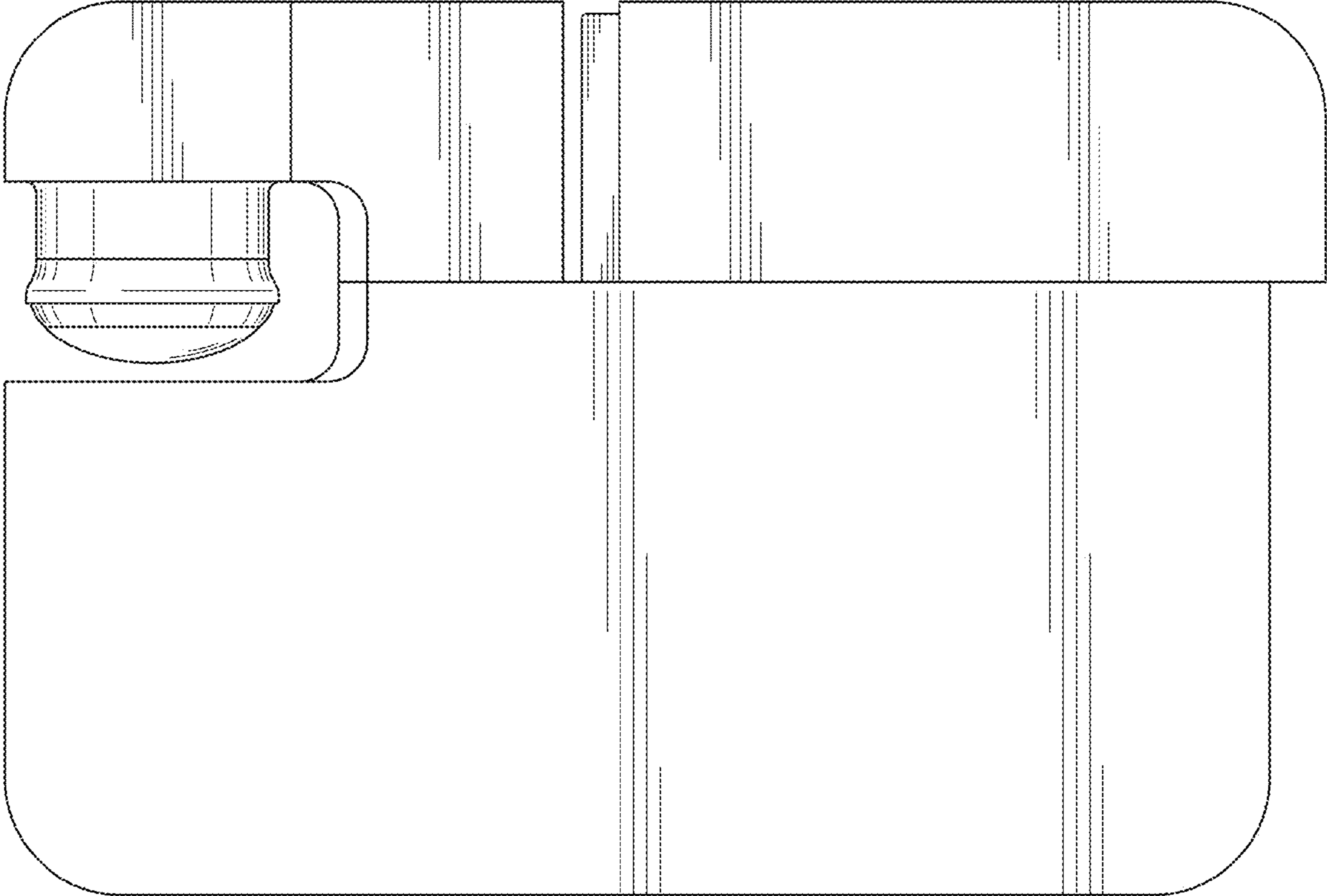


FIG. 13

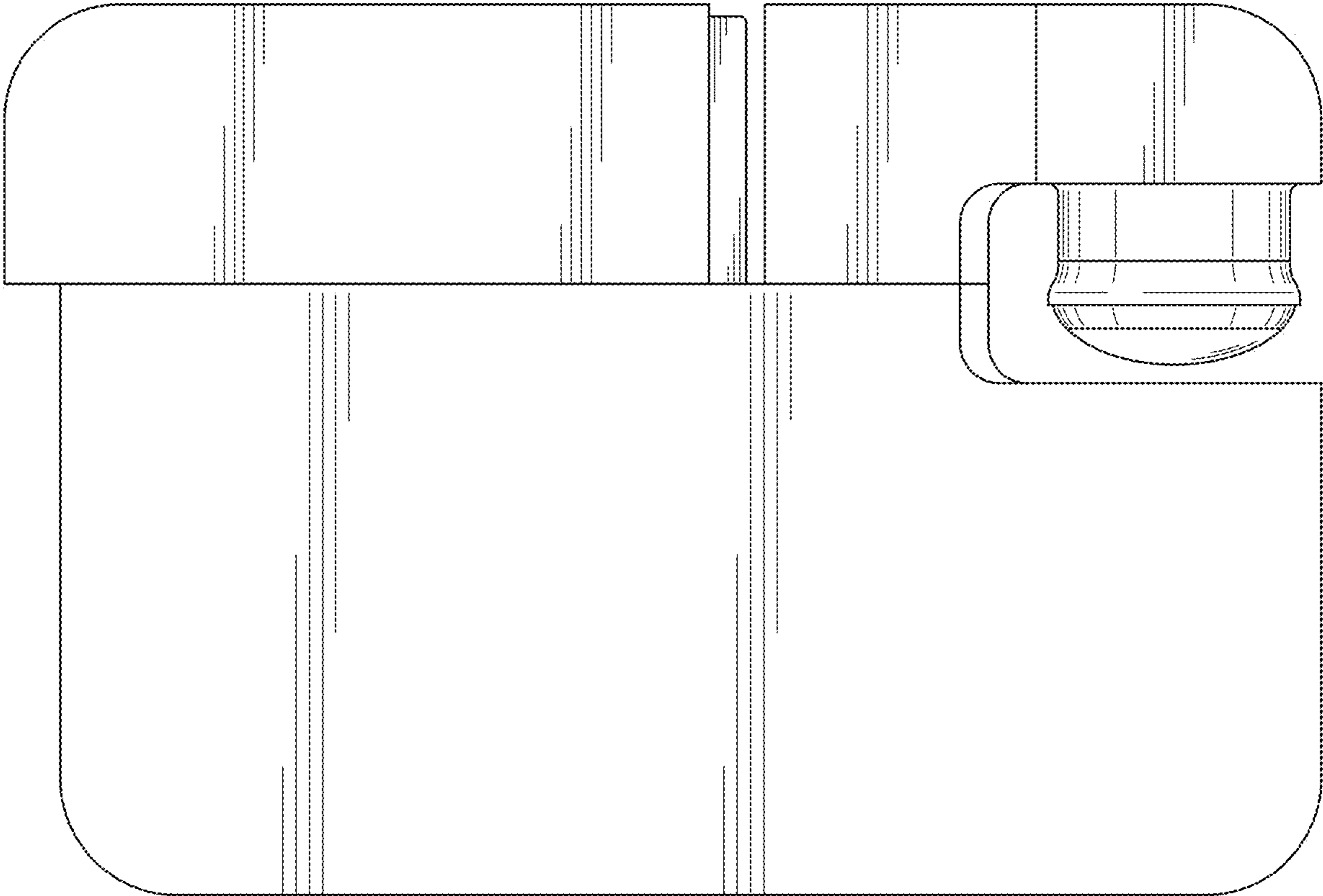


FIG. 14

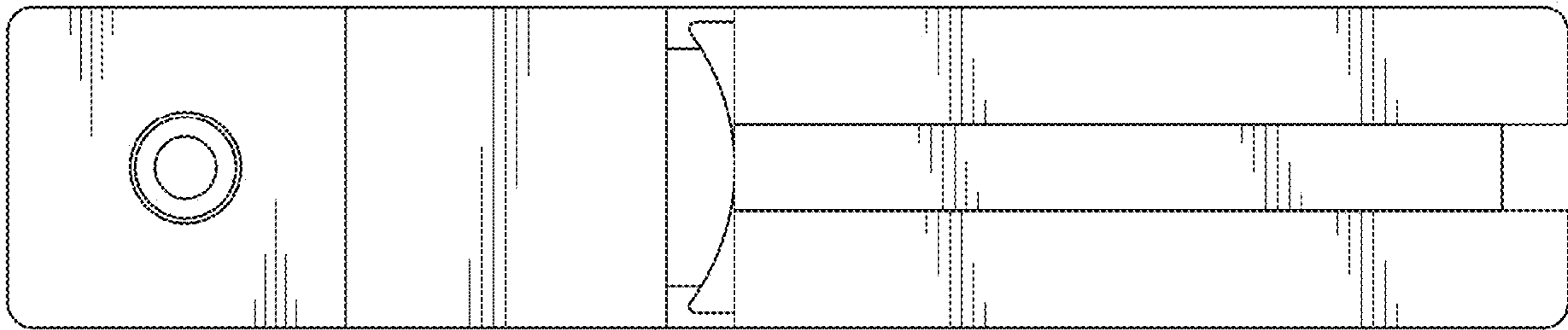


FIG. 15

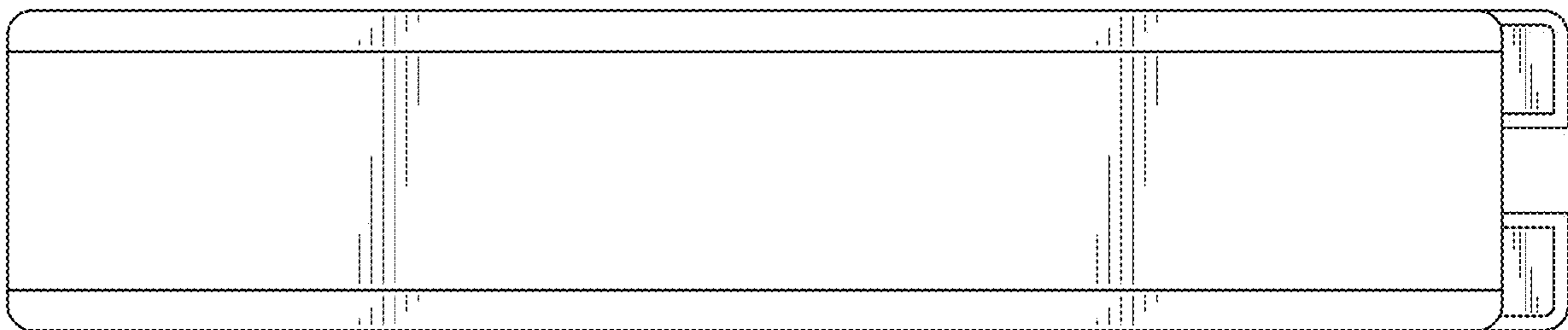


FIG. 16

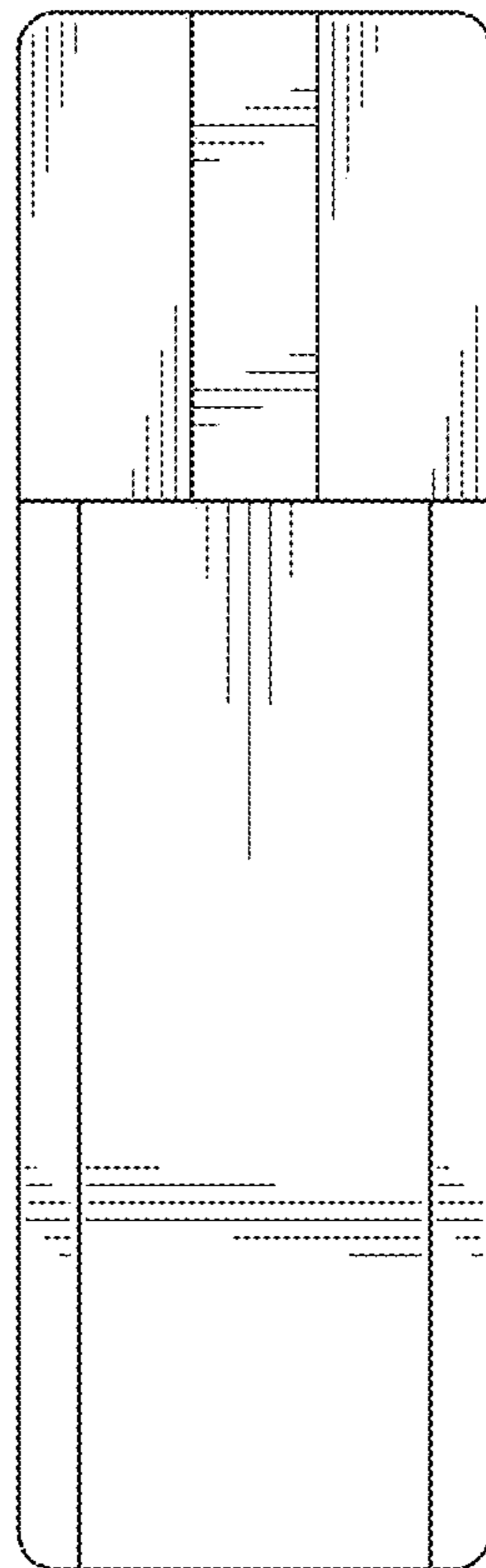


FIG. 17

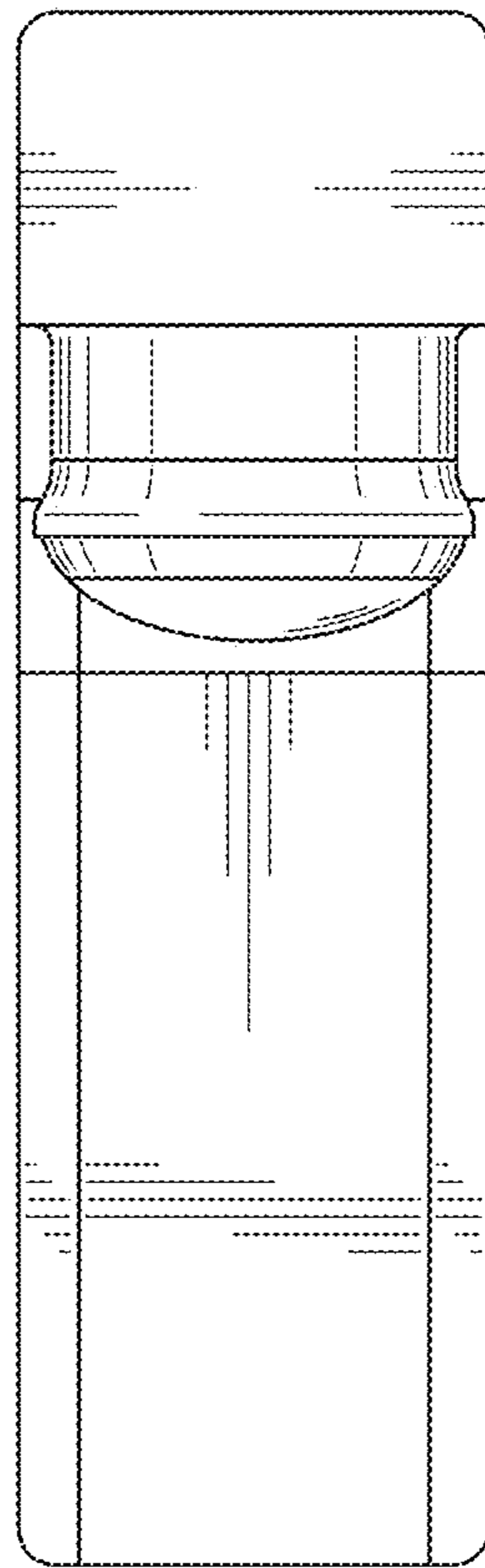


FIG. 18

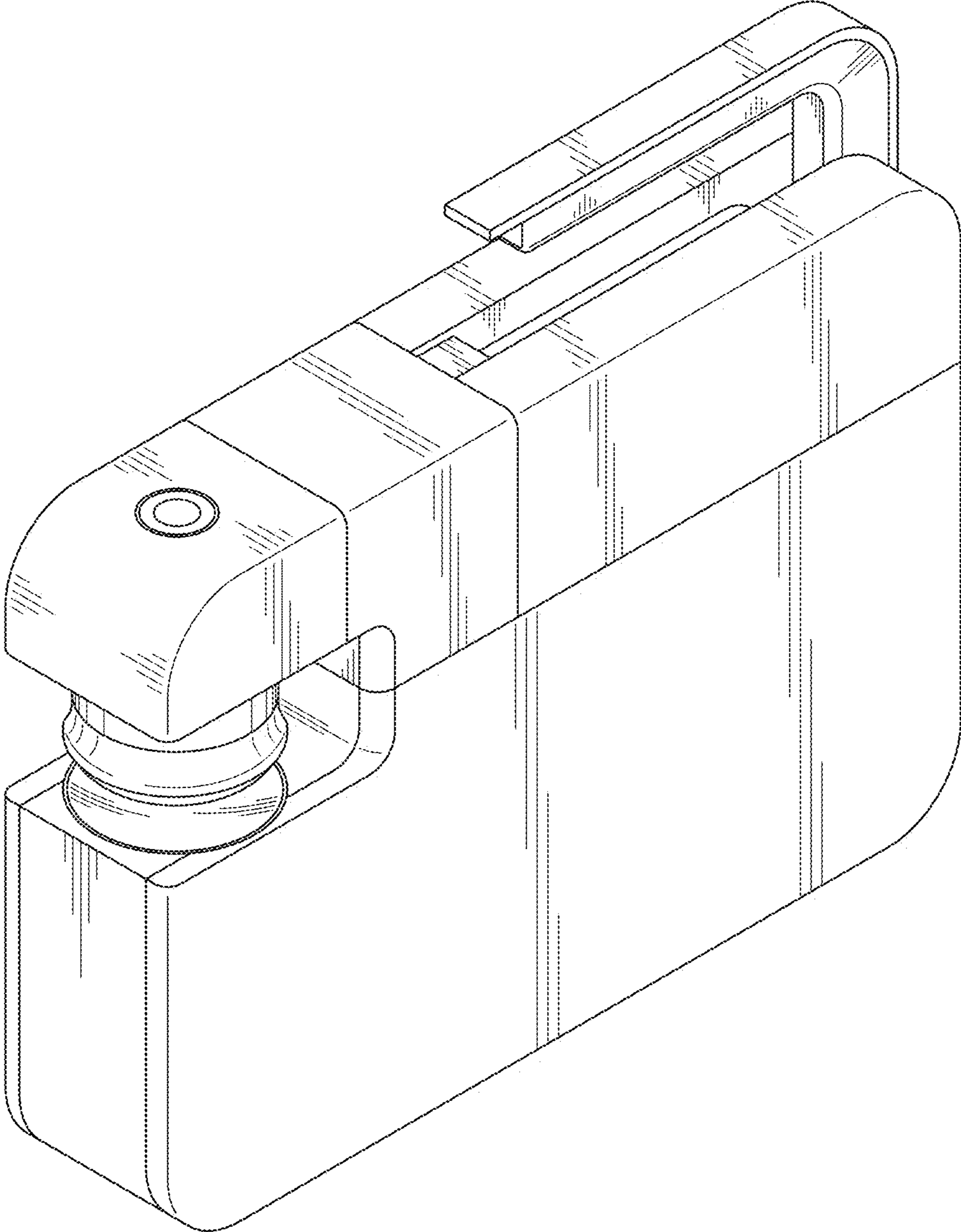


FIG. 19

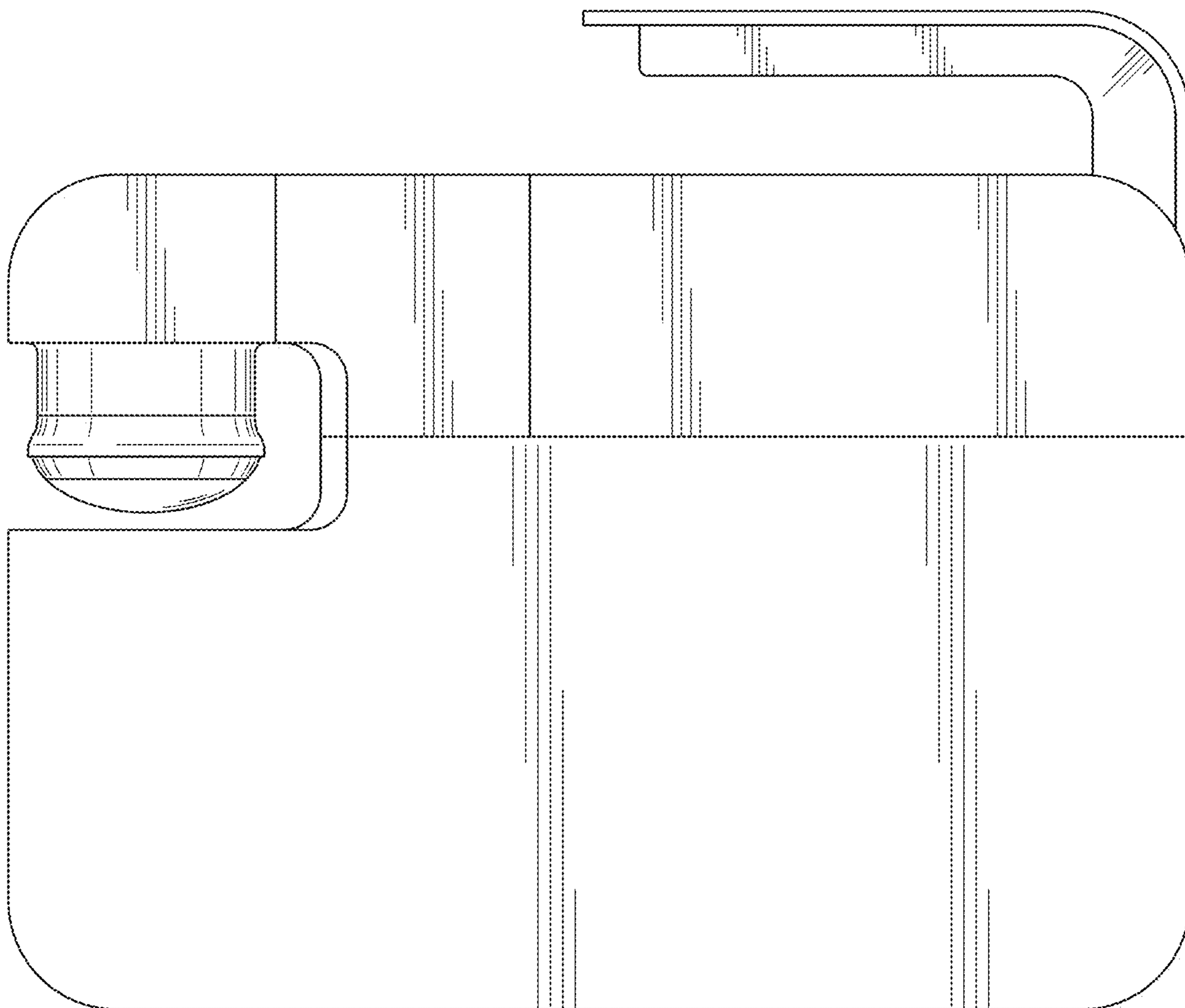


FIG. 20

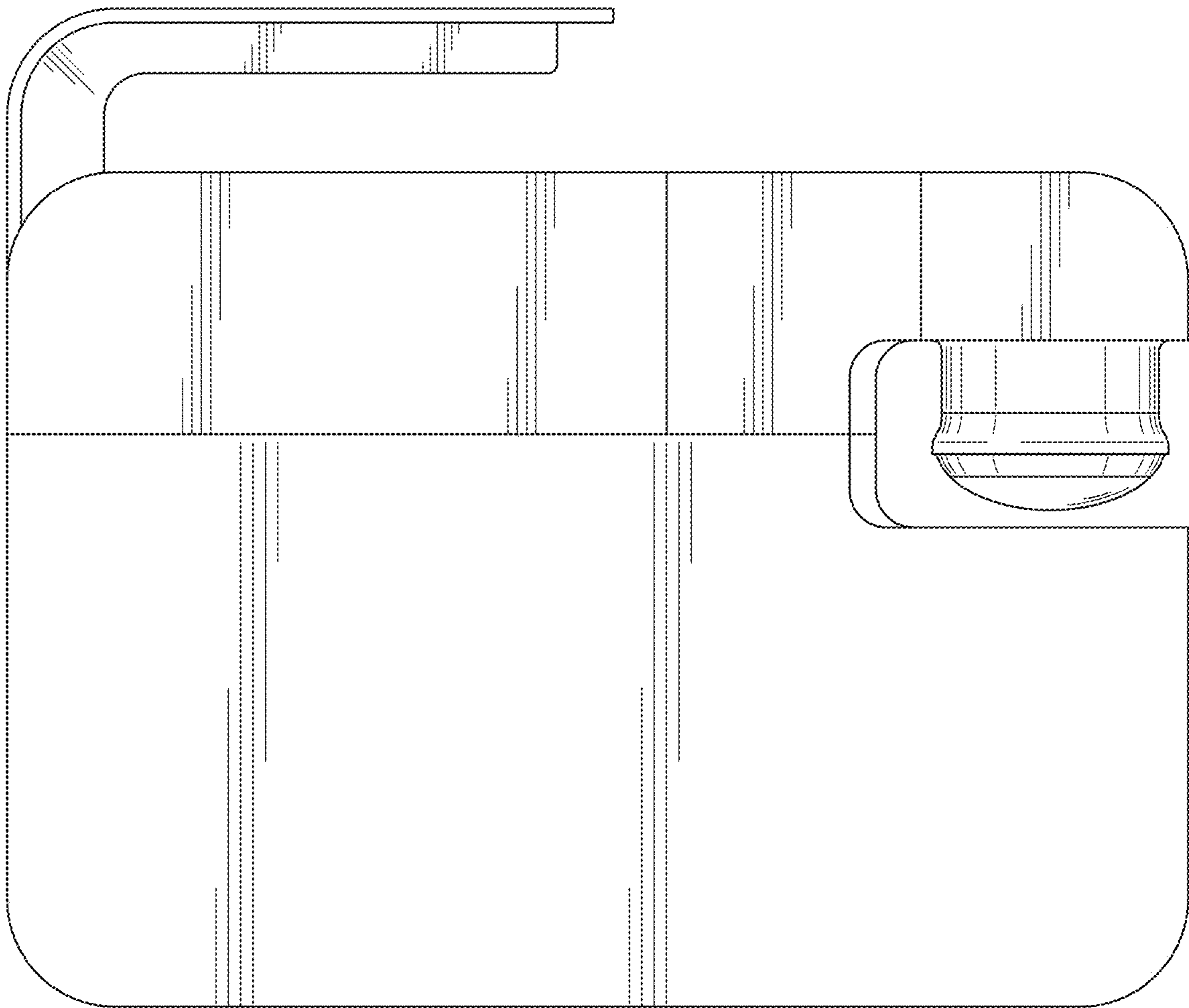


FIG. 21

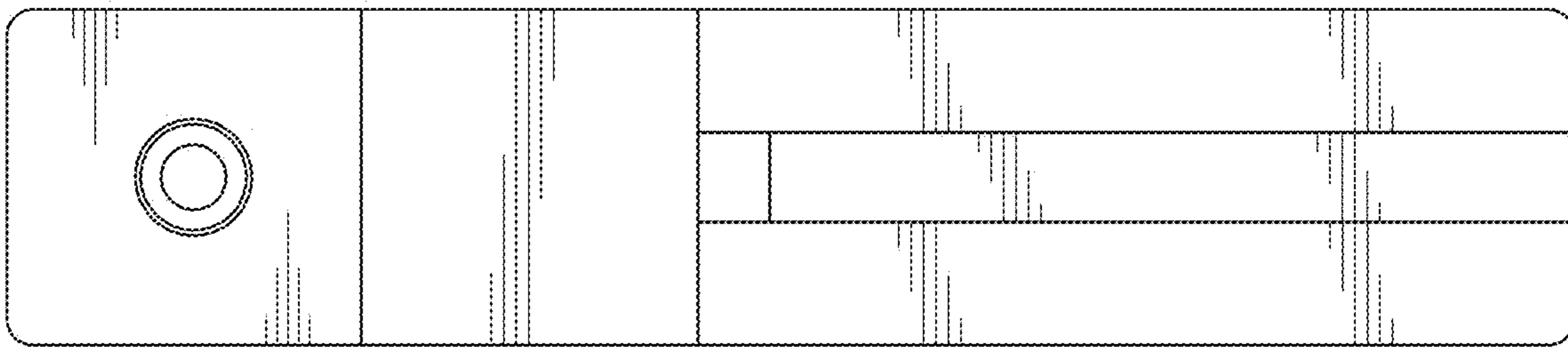


FIG. 22

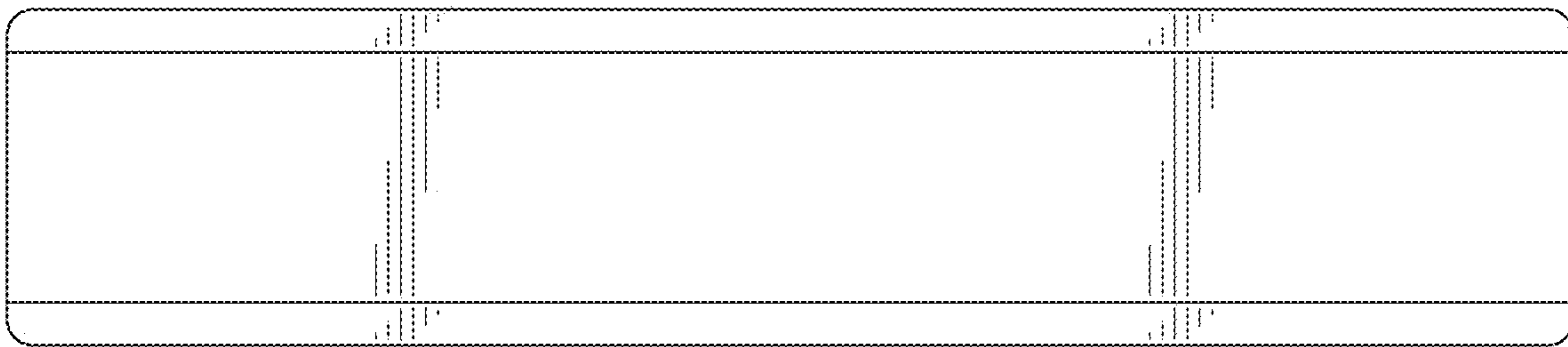


FIG. 23

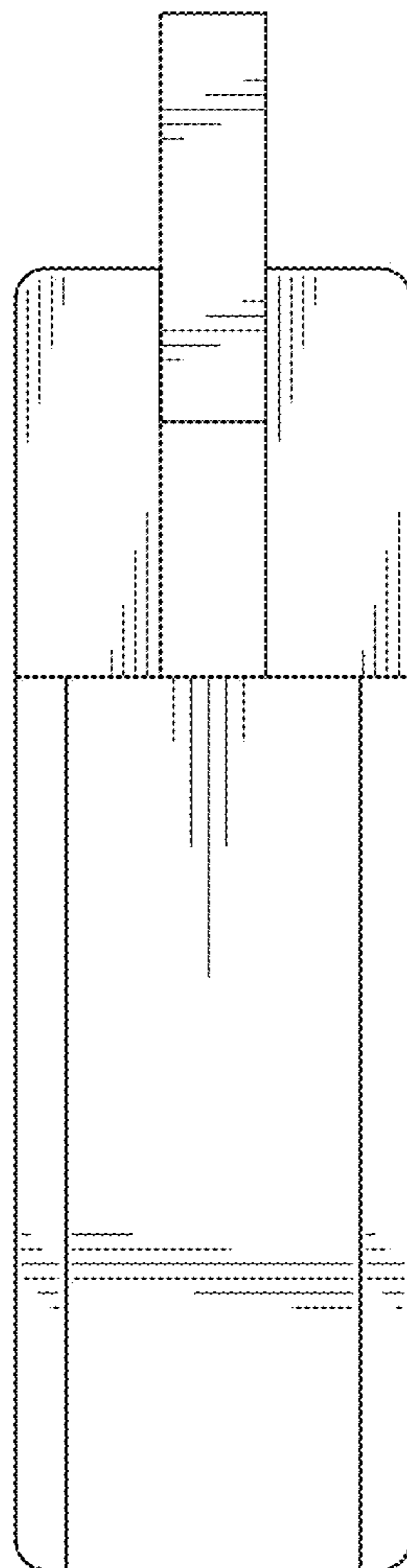


FIG. 24

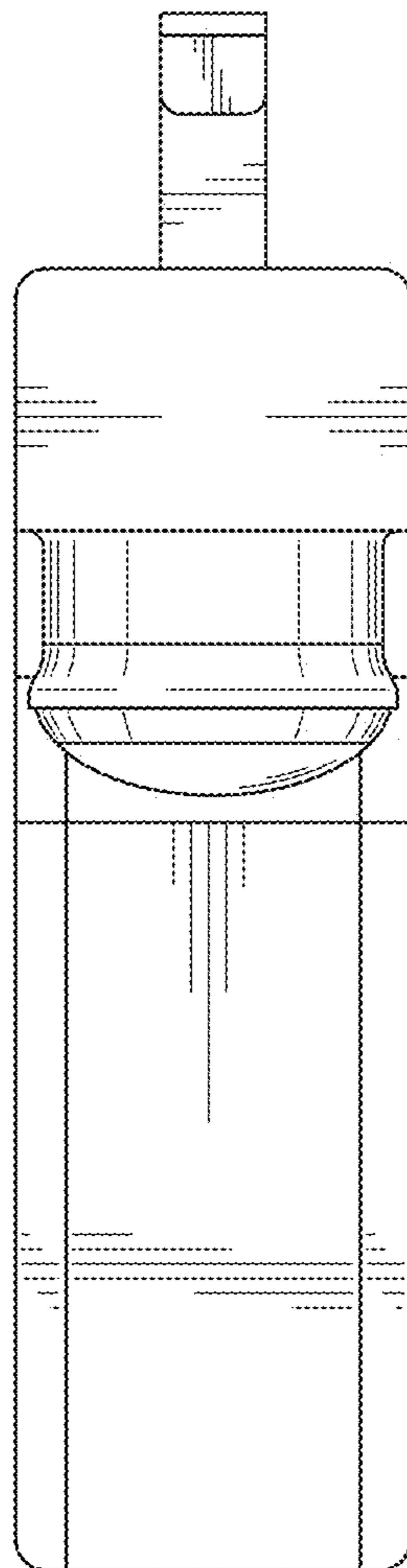


FIG. 25

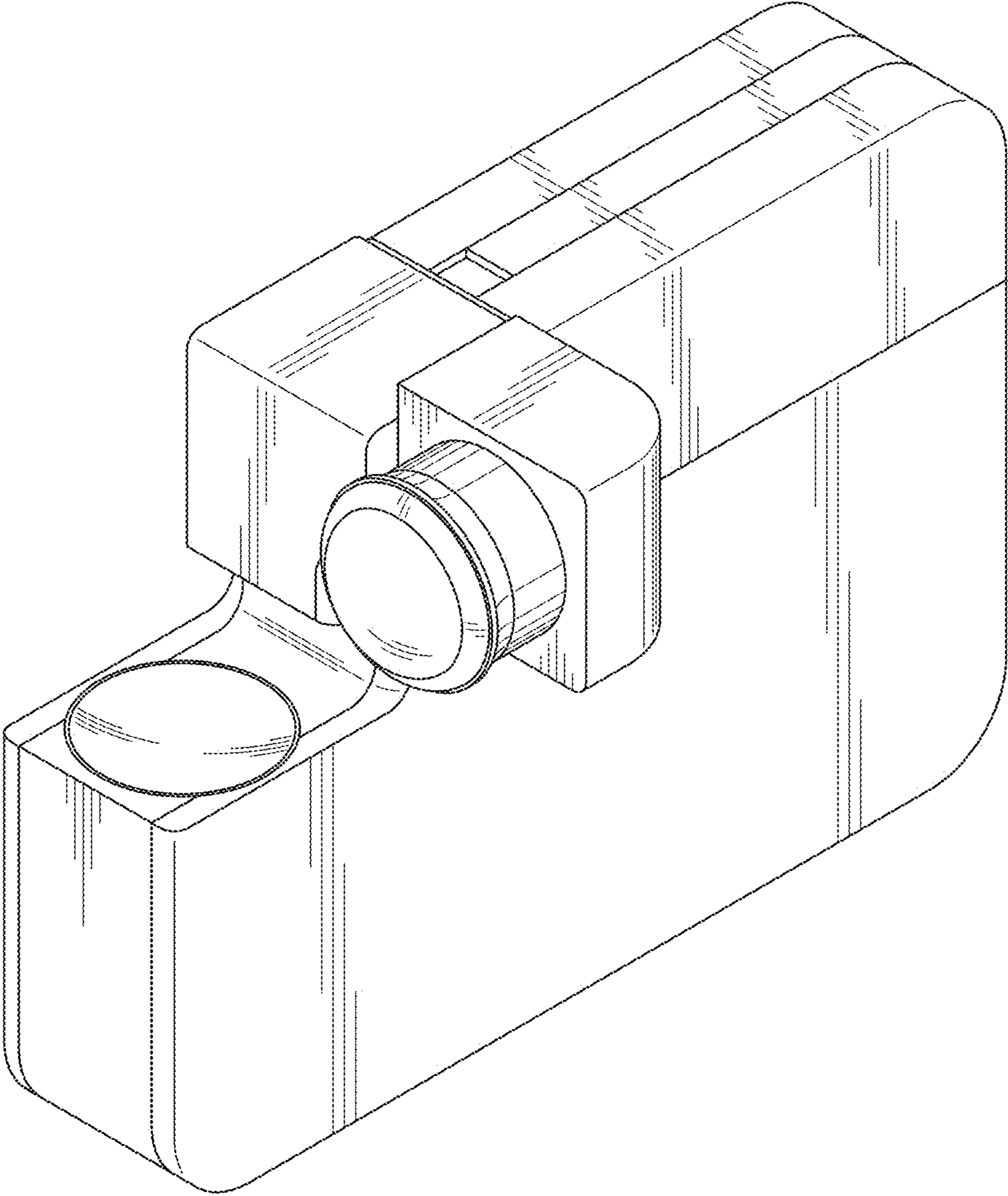


FIG. 26

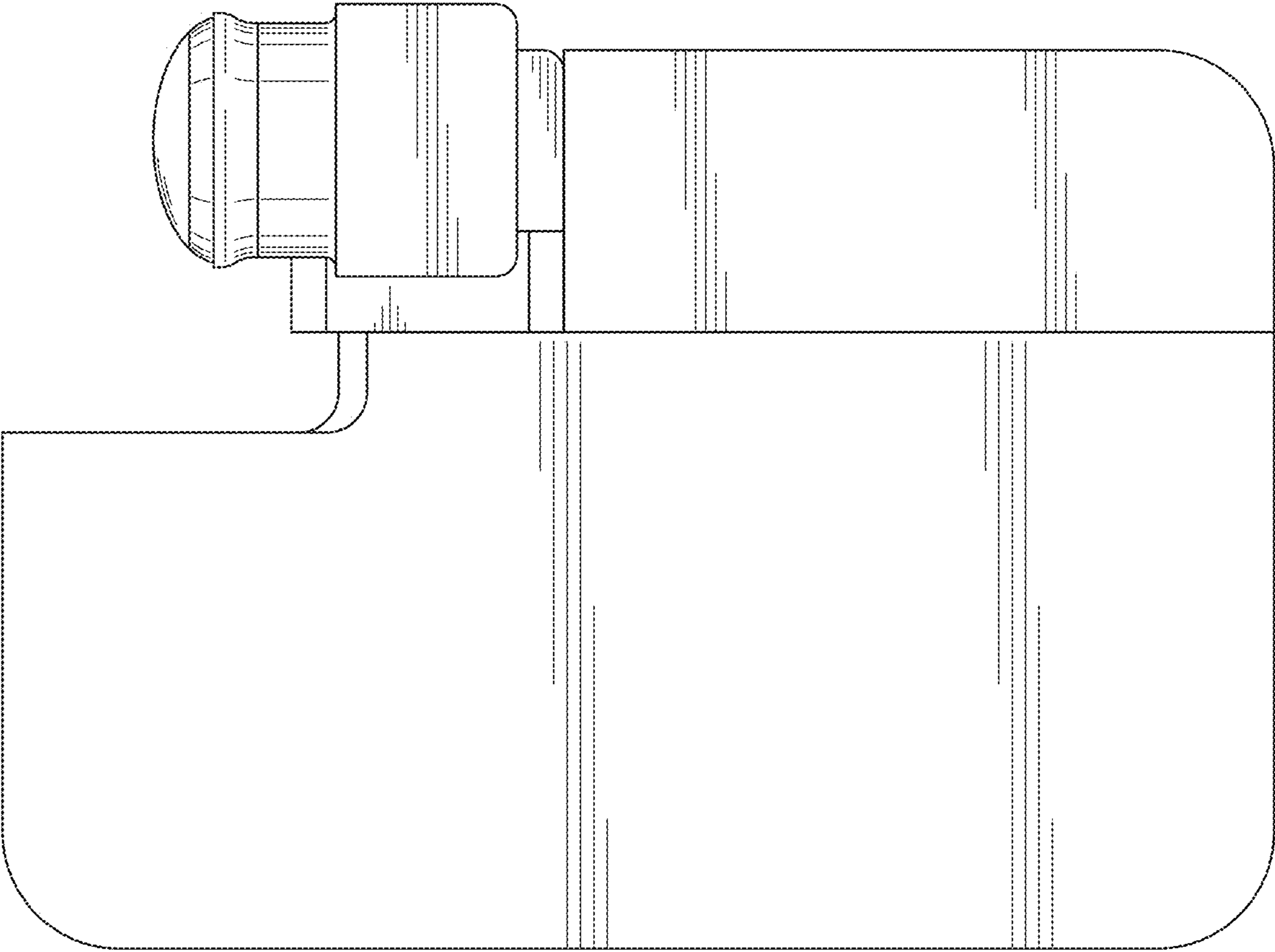


FIG. 27

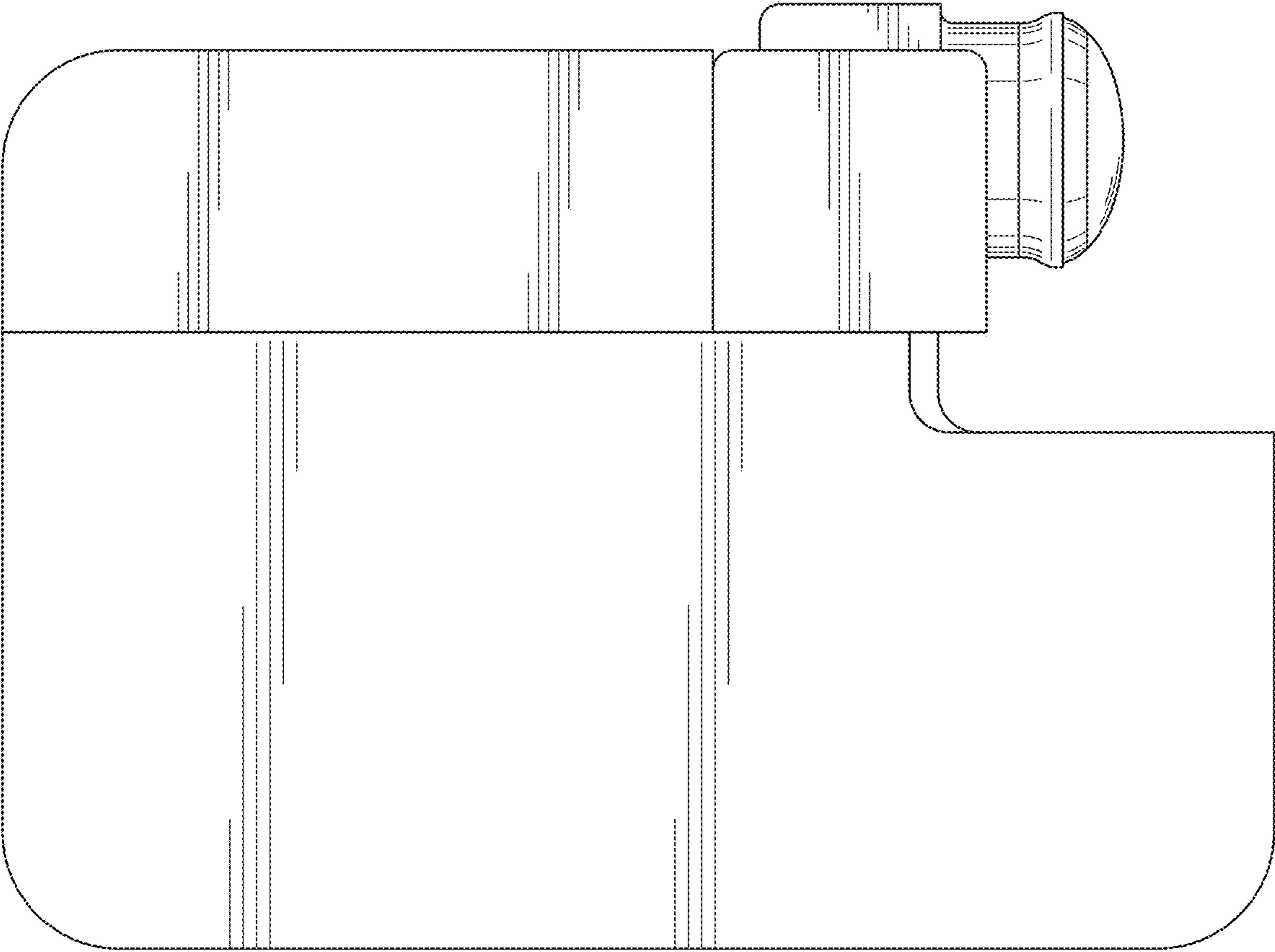


FIG. 28

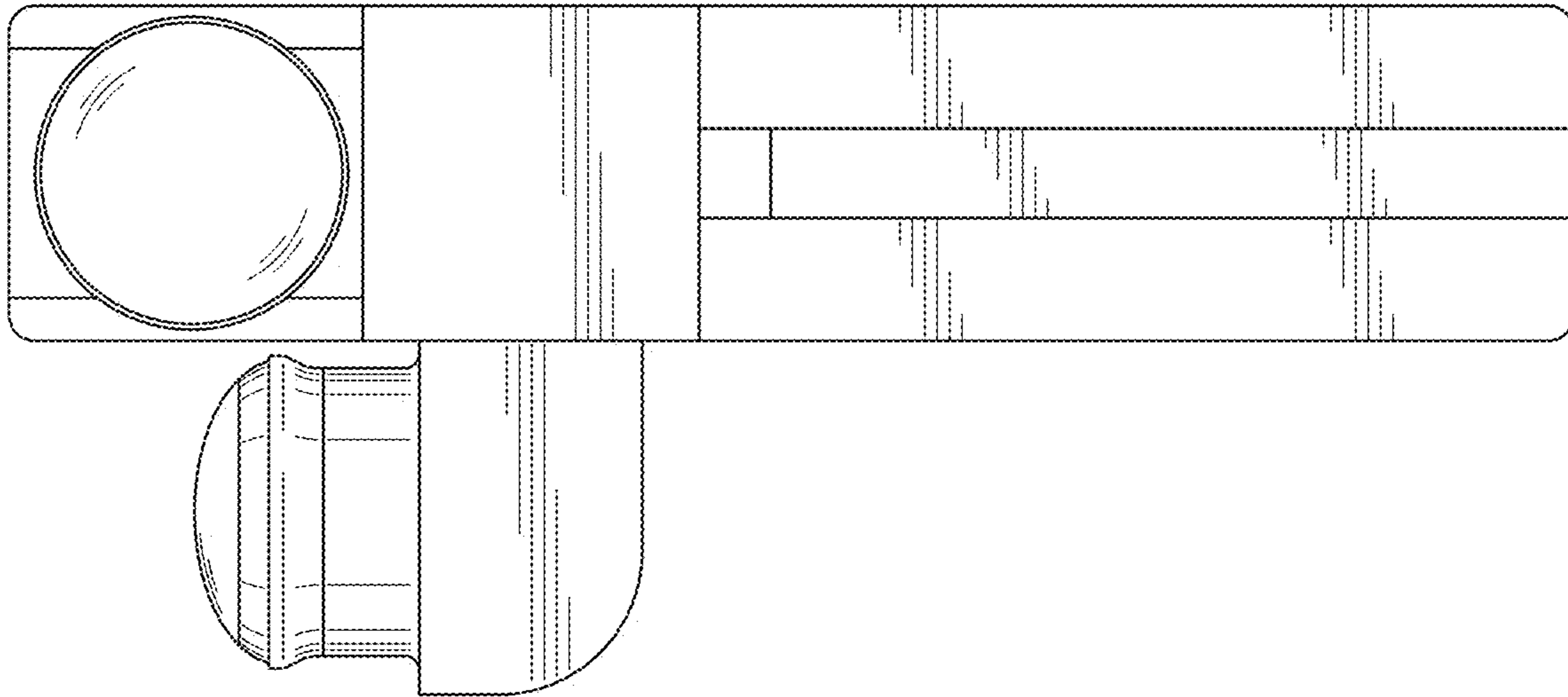


FIG. 29

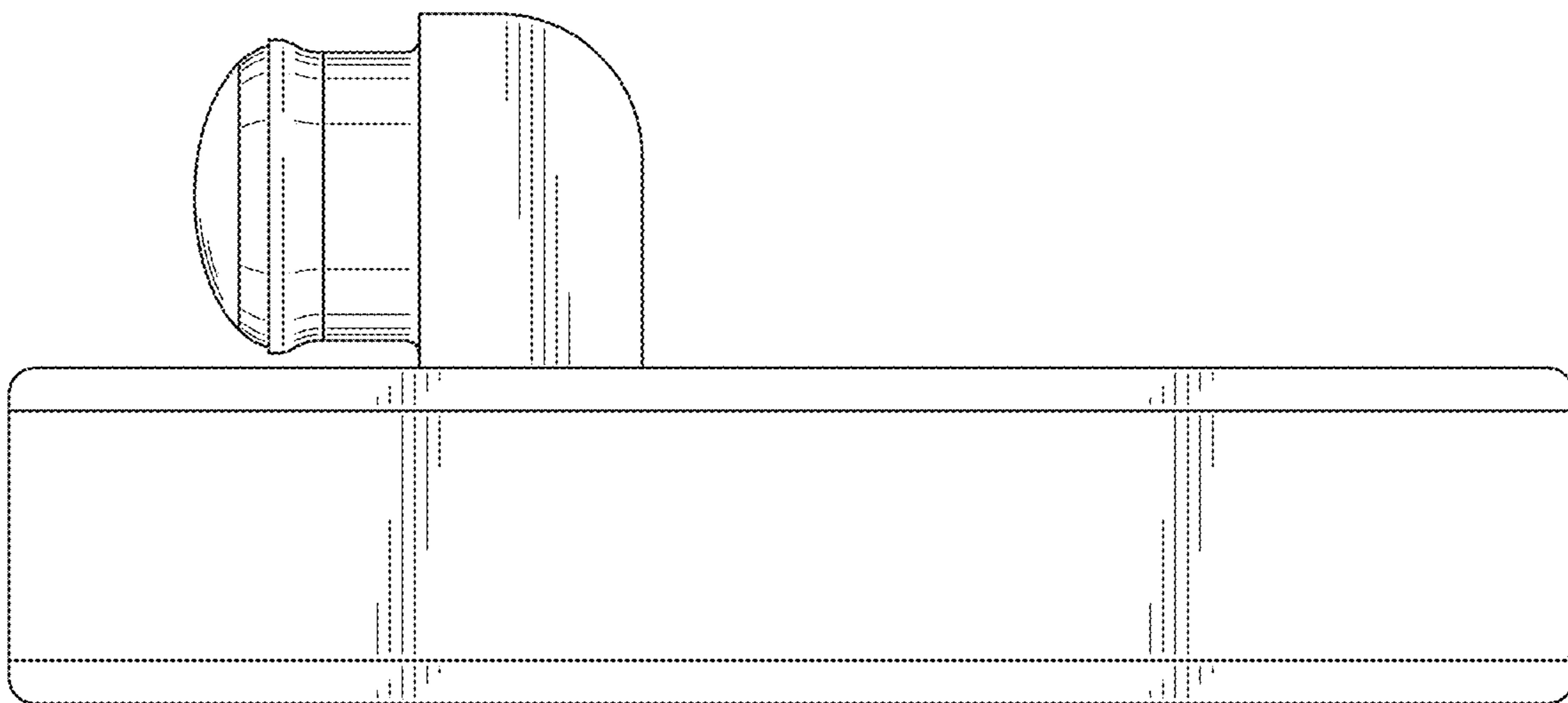


FIG. 30

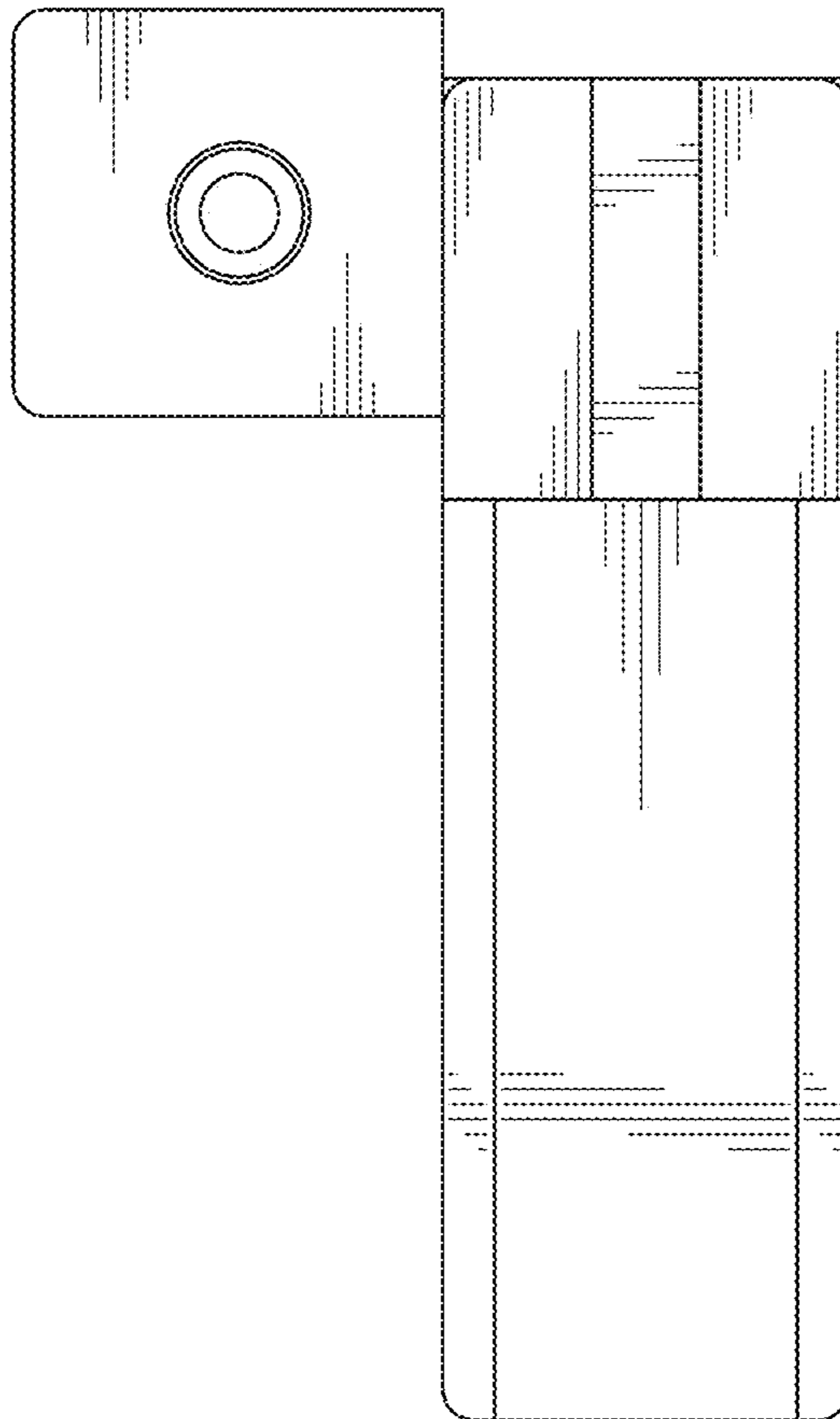


FIG. 31

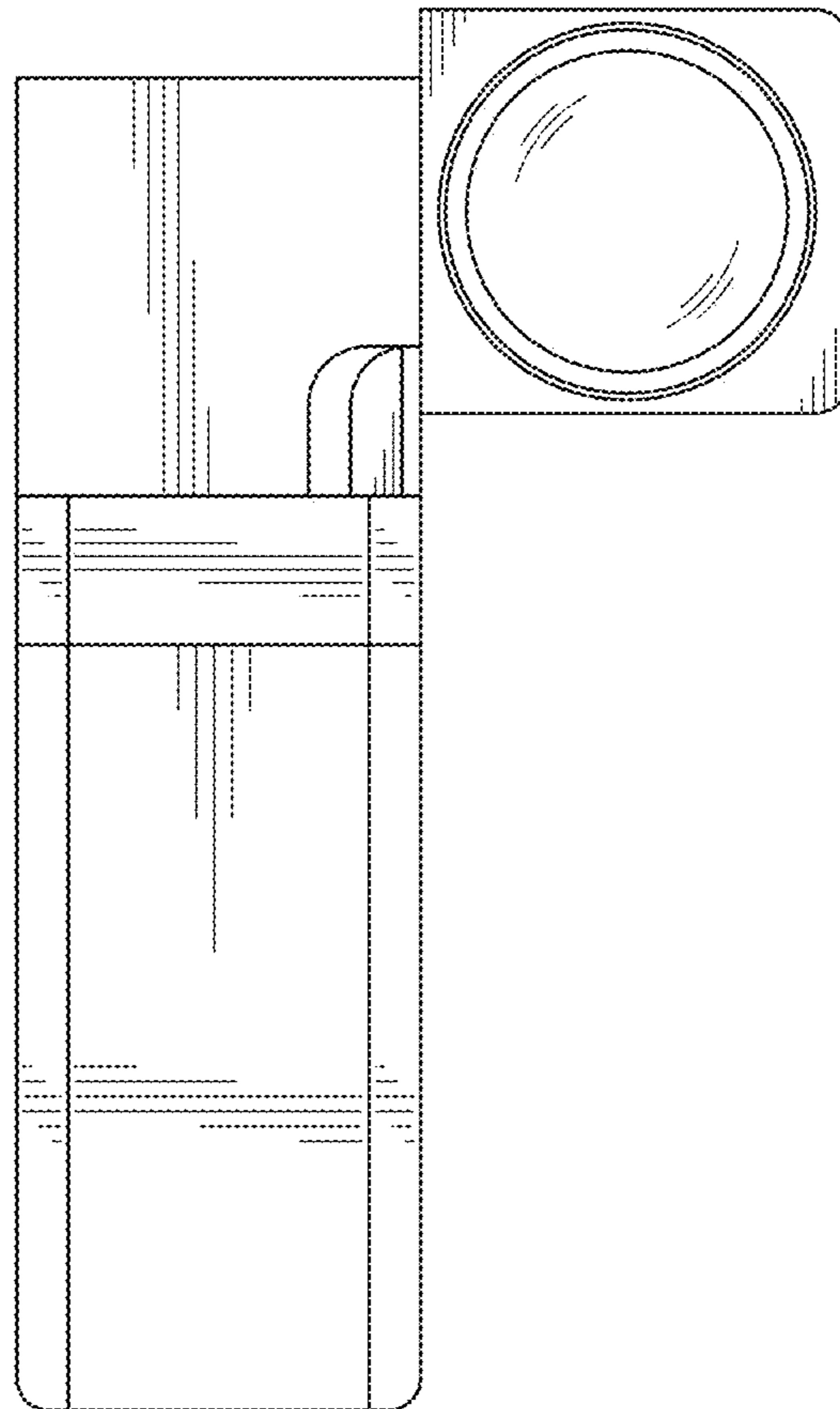


FIG. 32

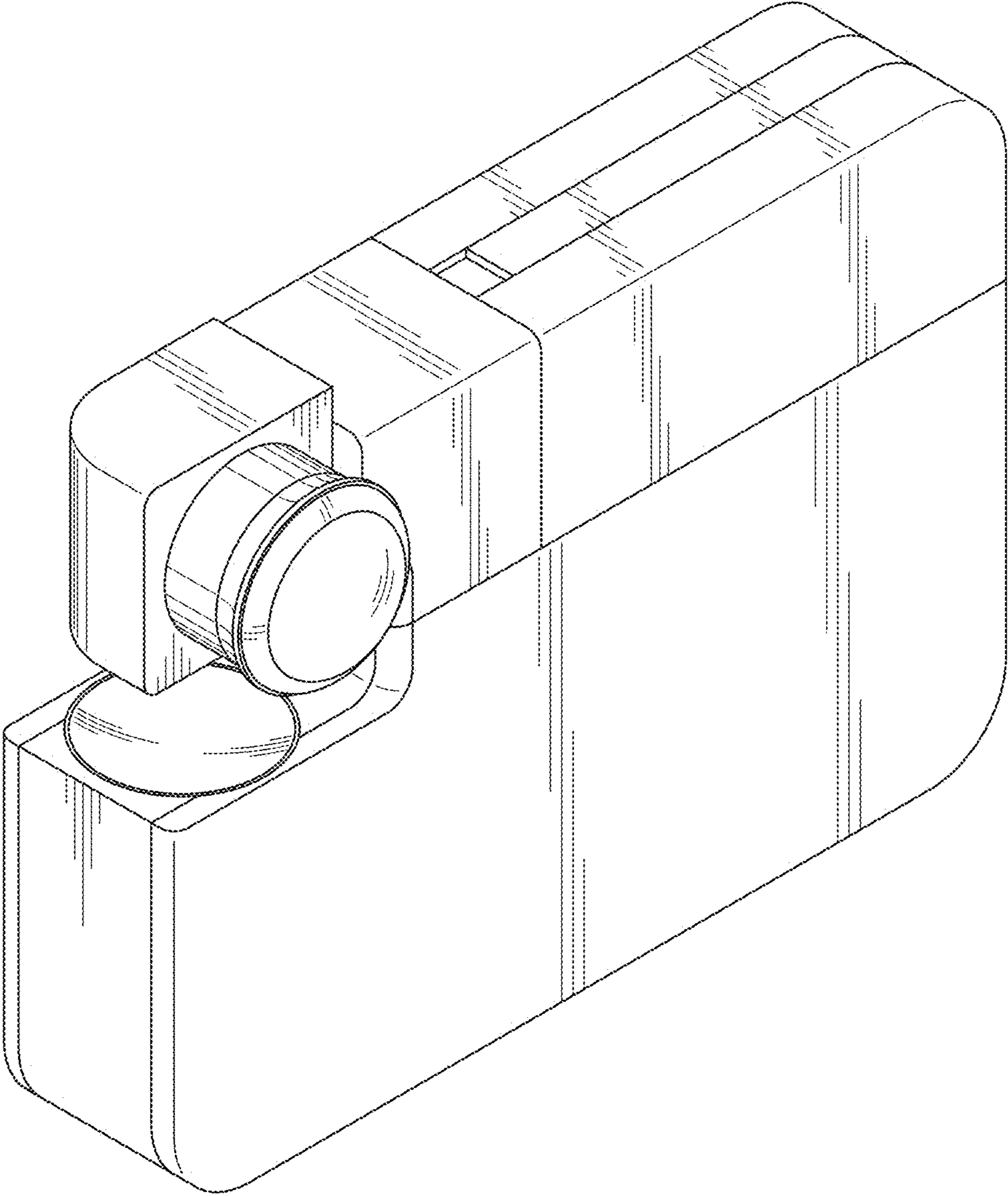


FIG. 33

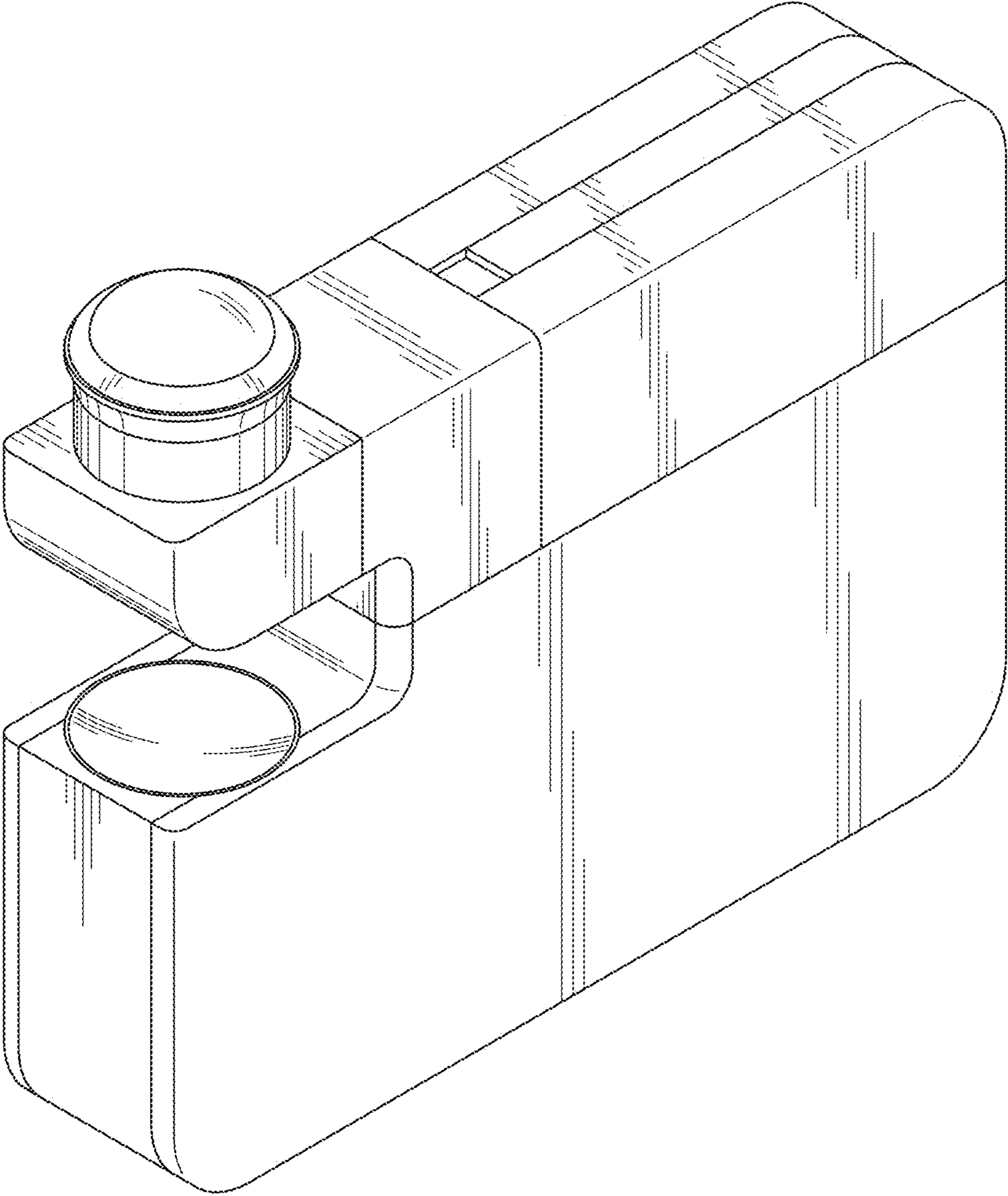


FIG. 34

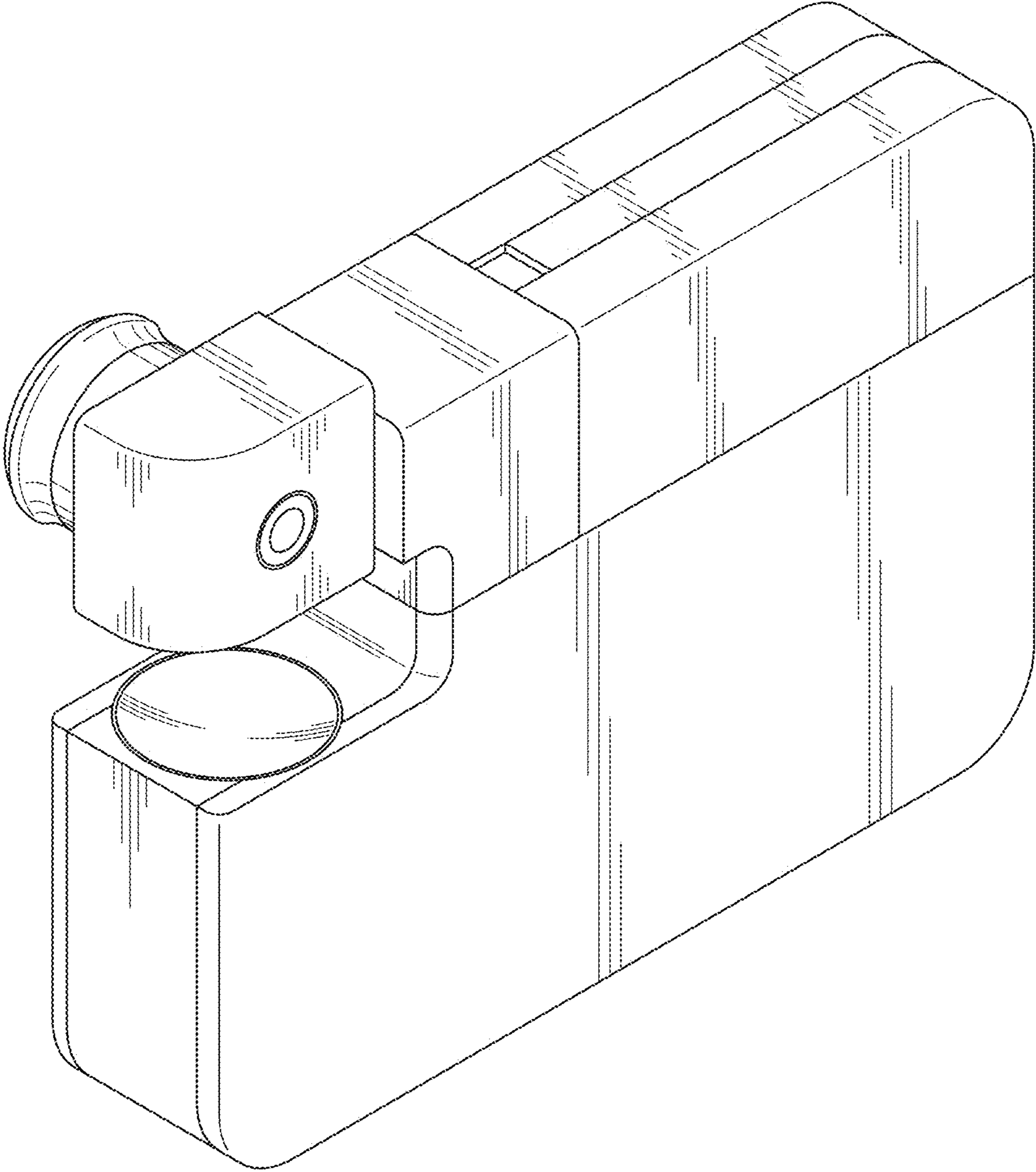


FIG. 35

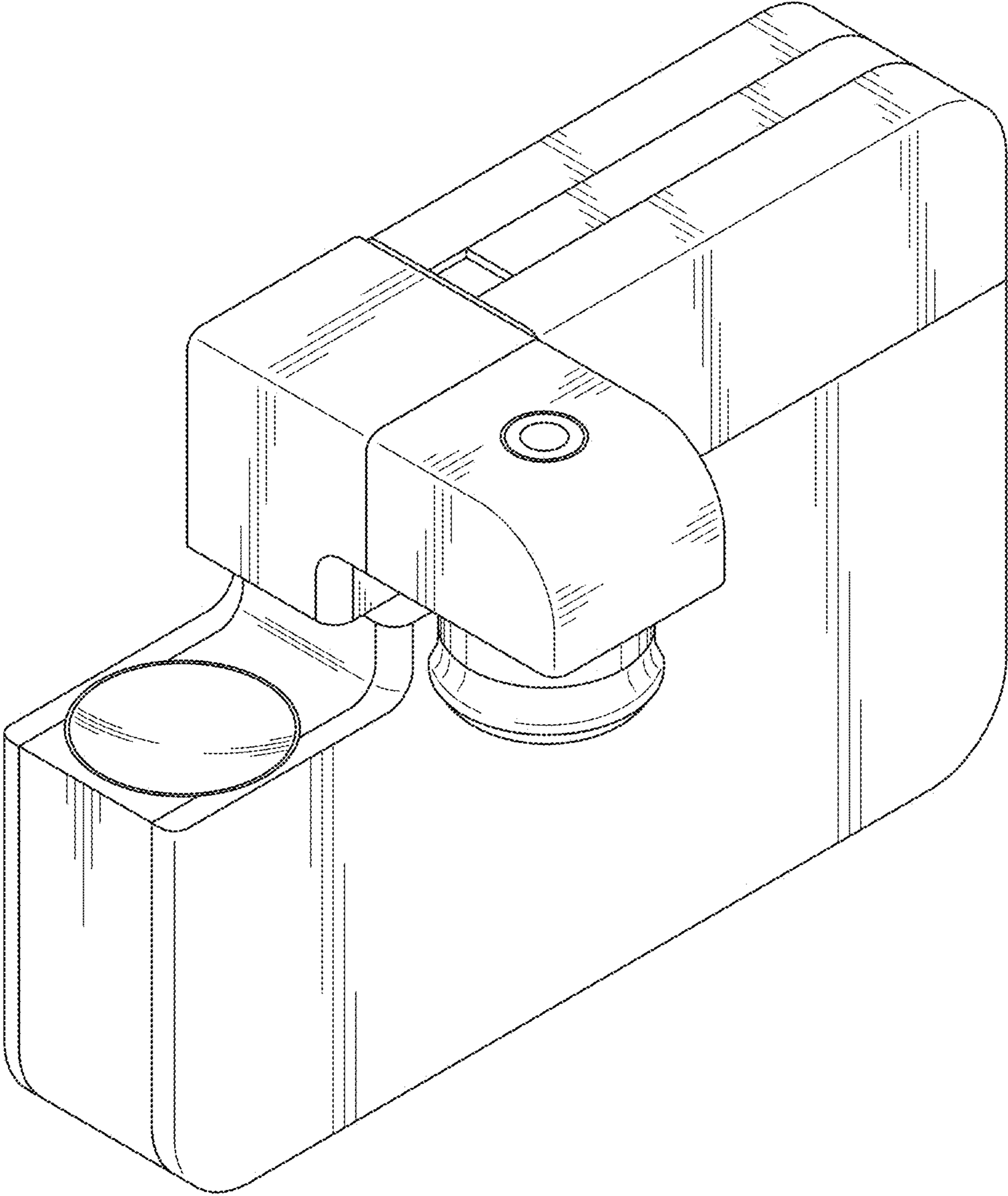


FIG. 36

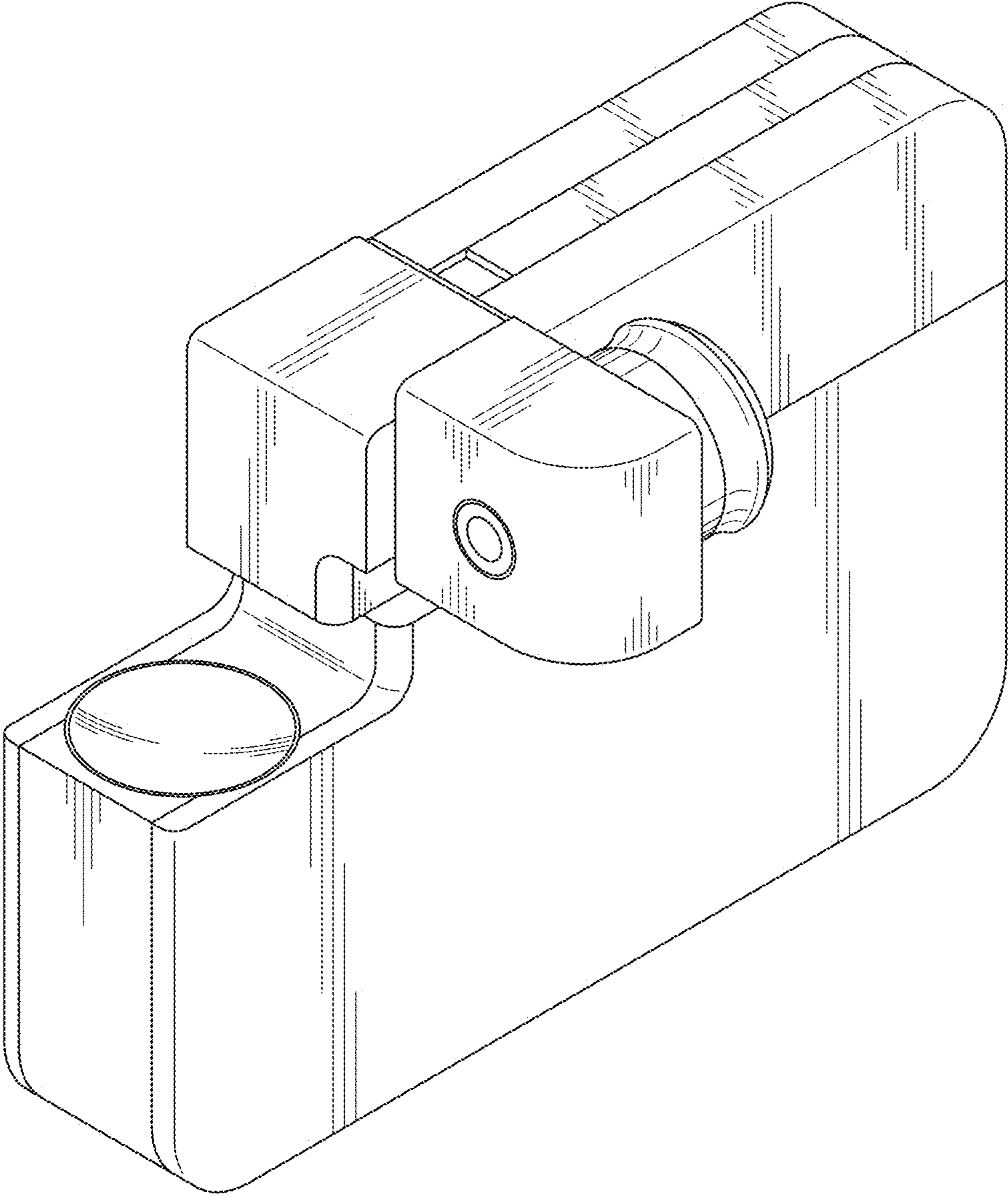


FIG. 37

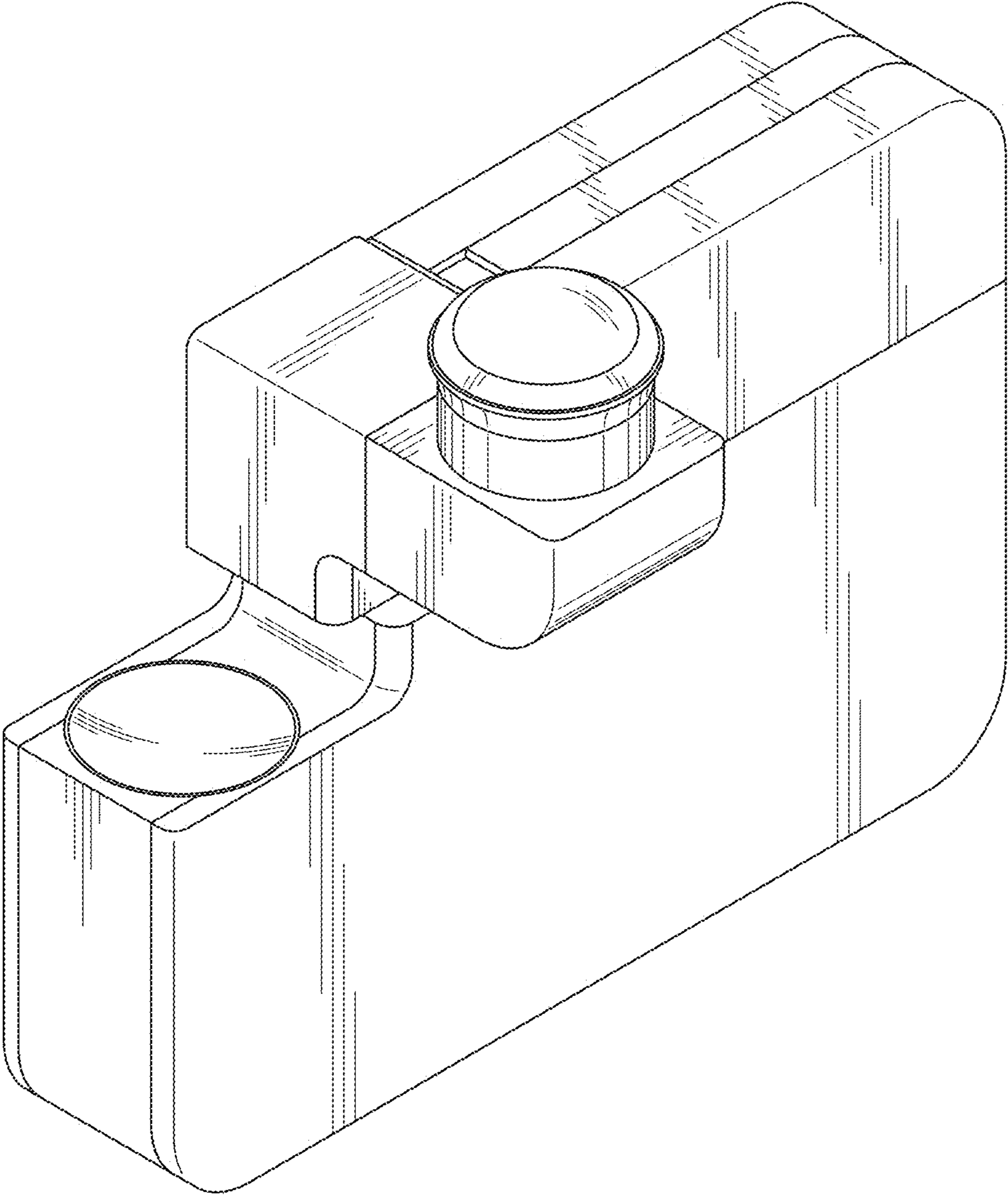


FIG. 38

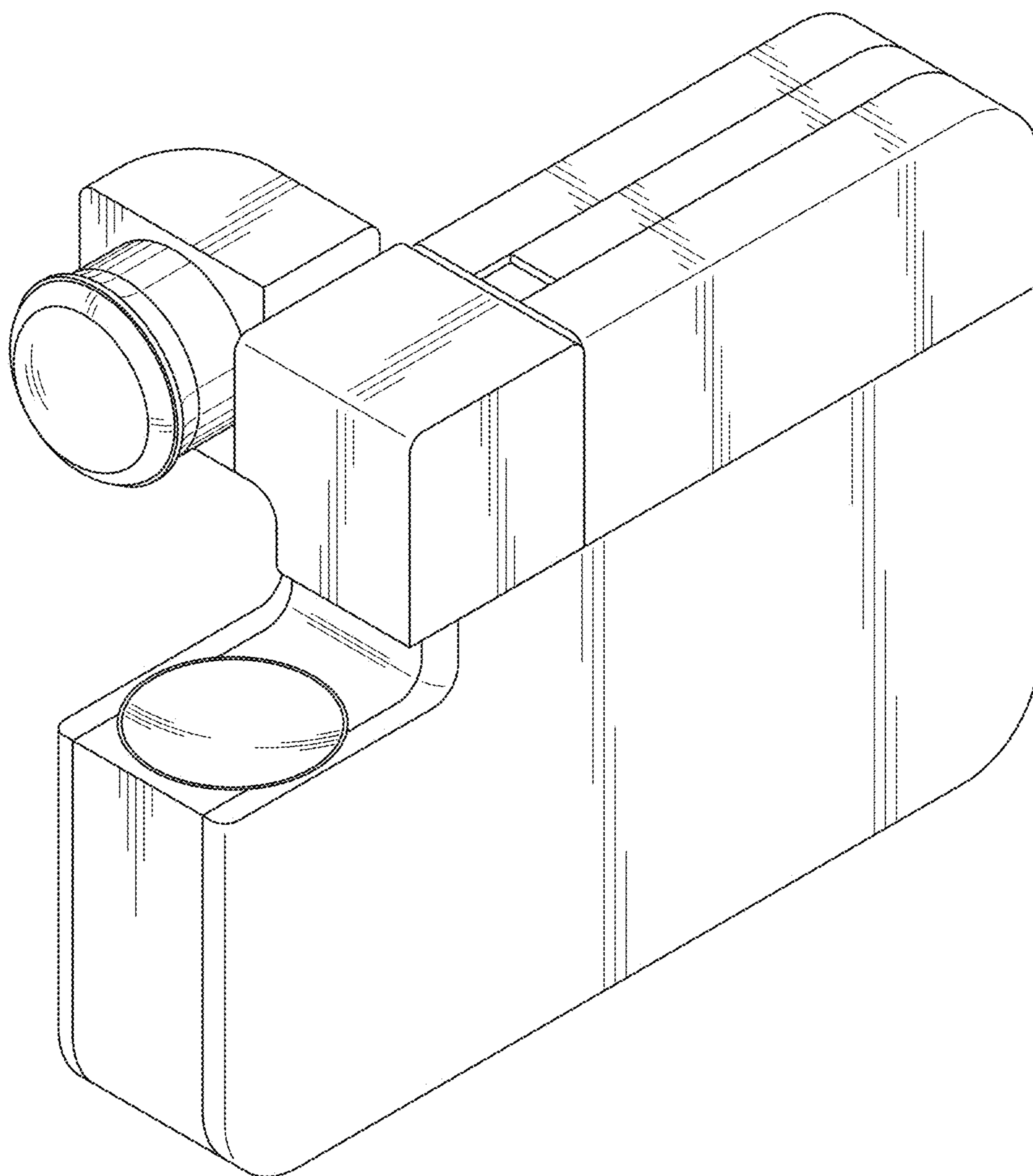


FIG. 39

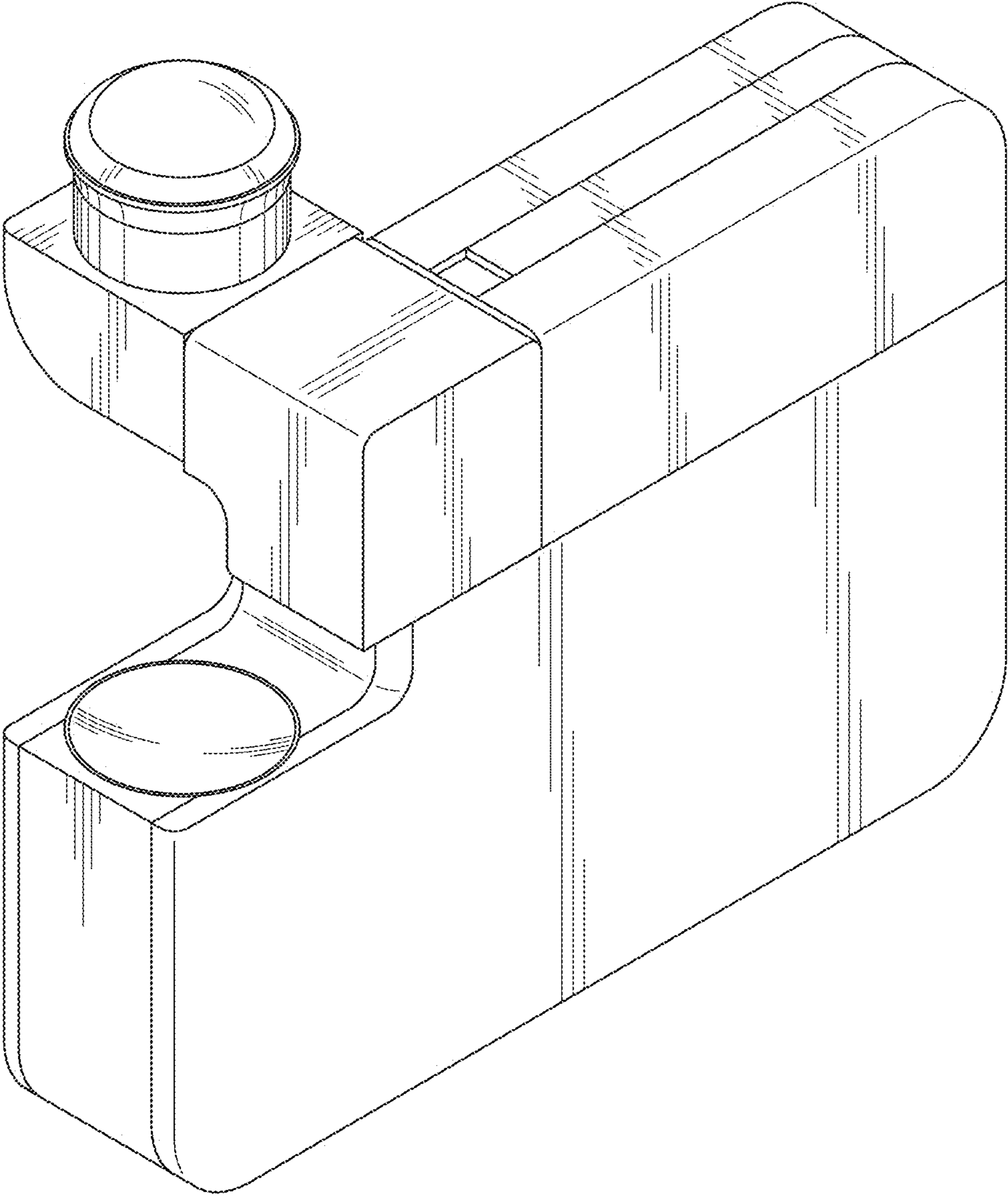


FIG. 40

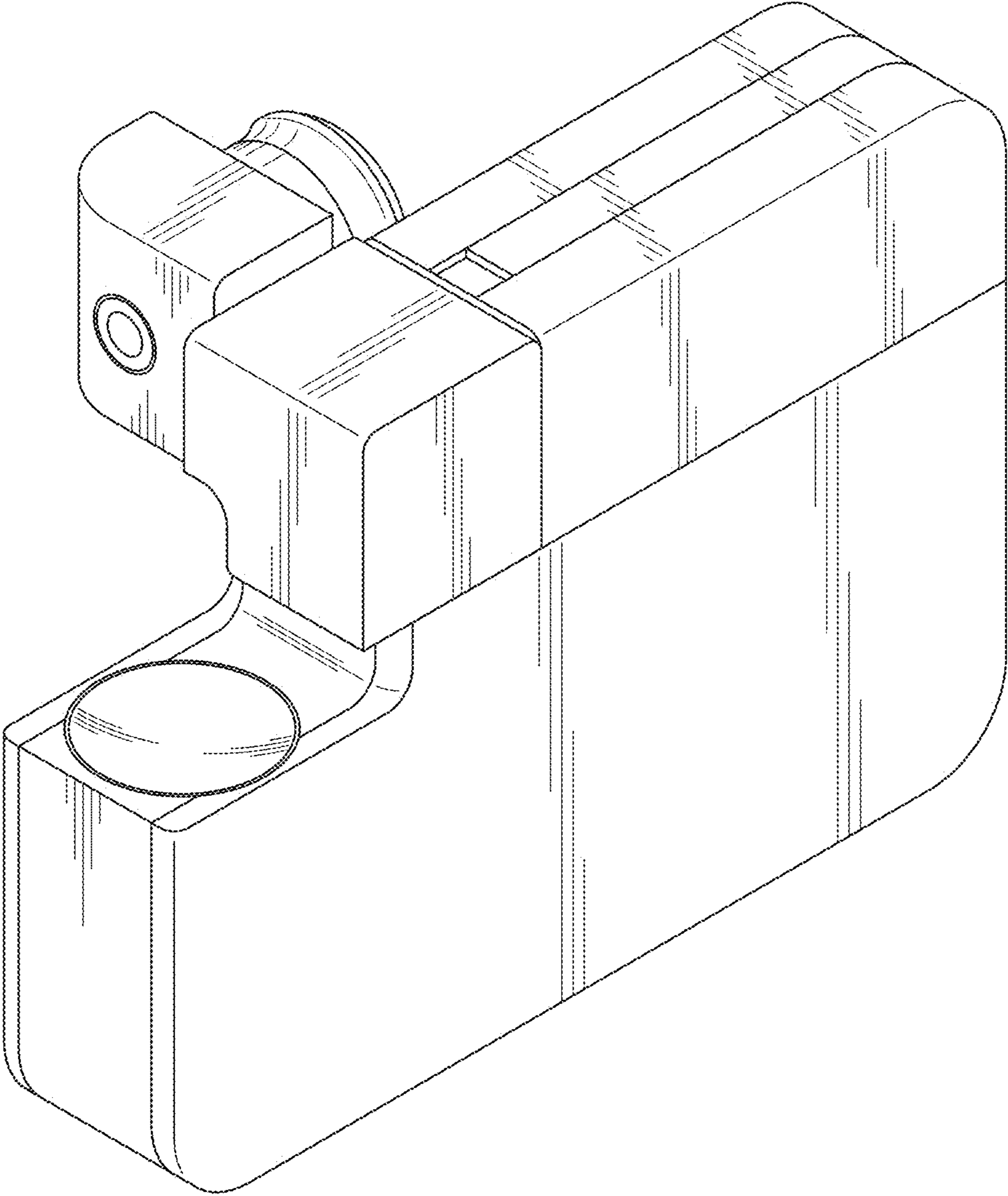


FIG. 41

